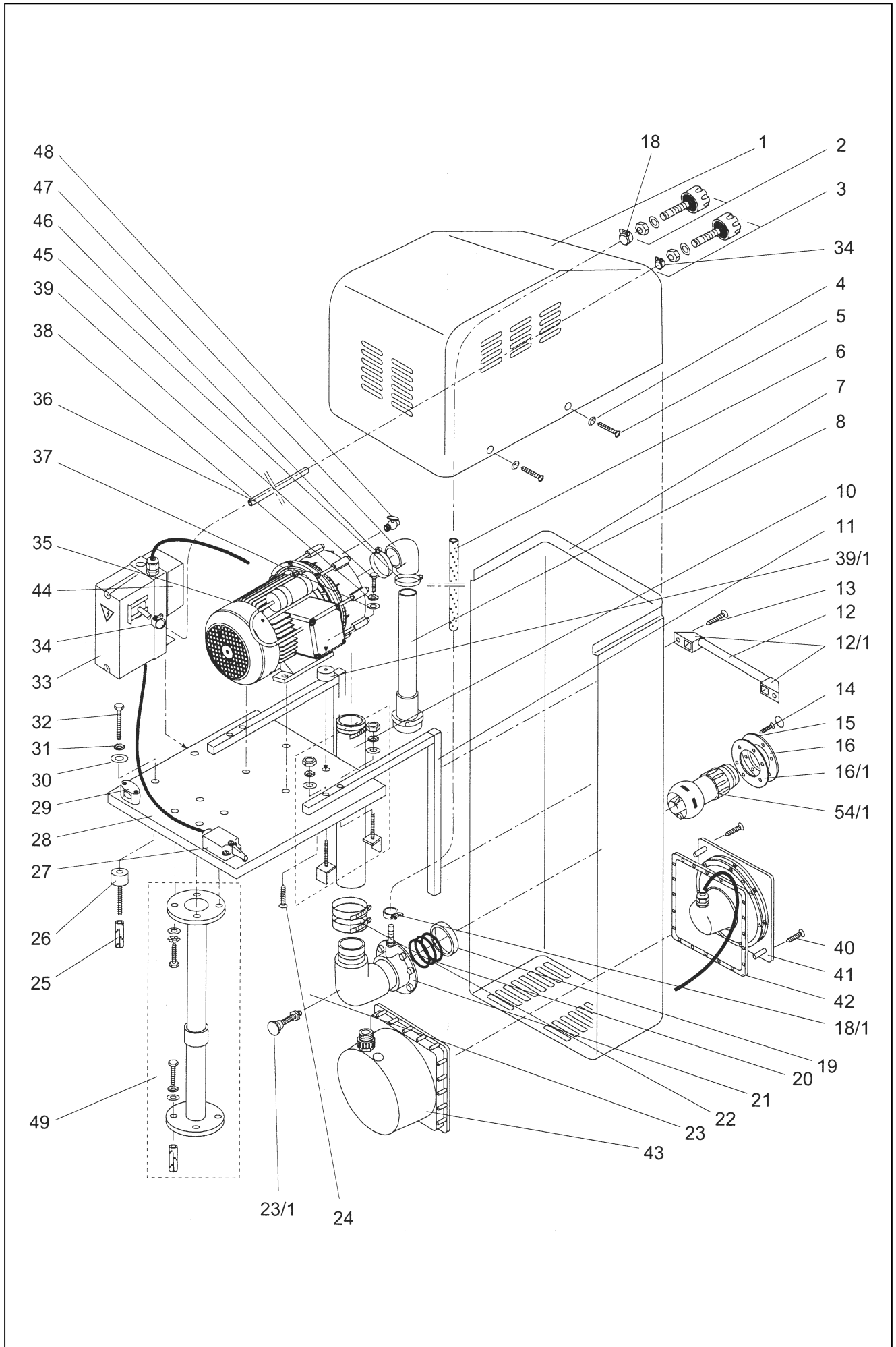


xxx PROTIPROUD BADU JET IMPULSE



detail	identifikace	popis
	2337007000	X Cover,cpl.
1	2337007001	X Cover
2	2307007500	X Air regulator cpl.
3	2302001600	X Pneumatic pushbotton cpl.
4	2306007006	X Beaded disk for M5, brass, nickled-plated
5	5879640516	X Oval head countersunk screw, M5 x 16, A 2
6	2301001007	X mtr.PVC-tubing,8 x 3,crystal-clear,with woven fabric
	2337002000	X Mantlet white,matte,cpl.,for Badu Jet Impulse
	2337202000	X Mantlet white,matte,cpl.,for Badu Jet Impulse-spot
7	2337002001	X Mantlet white,matte,single,for Badu Jet Impulse
7	2337202001	X Mantlet white,matte,single,for Badu Jet Impulse-spot
8	2307003000	X Intake line with back pressure valve
10+21 -23/1	2307004000	X Pressure pipe,cpl.,consisting of:
10	2307004001	X Hose, 50 x 5 x 280mm
21	2303005010	X Nozzle housing with connecting angle and hose nozzle
22	2307004009	X Hose clamp, SXM 12, 40-60mm, C7-W4
23/1	2307004003	X Spacer Extension
11	2307501500	X Connecting angle
12	5861400201	X mtr.pipe, plastic, white
12/1	2306002002	X Fixing for handle, white
13	5879826325	X Sheet metal(self-tapping)screw 6,3 x 25mm,A 4
14	2301000010	X Decorative cap for Philips screw
15	5879825520	X Countersunk head screw, 5,5 x 19mm, A 2
16	2306002009	X Housing flange W 2364
16/1	2306002014	X Flat packing, 120 x 80 x 1mm
18	5873011409	X Hose clamp, SM 9 14mm, A 4
18/1	2301004001	X Clic clamp 14mm, A 4
19	2302002056	X Retainer ring
20	2302002057	X Hose clamping ring, 60 x 73,5 x 6,2mm
20/1	2302002158	X Hose clamping ring, 60 x 73,5 x 1,5mm
20/2	2302002058	X Hose clamping ring, 60 x 73,5 x 1mm
24	5879826338	X Sheet metal (self-priming)screw,6,3 x 38mm, A 4
25	2306006006	X Expanding bolt, M8, brass
26	2306006005	X Rubber/metal buffer,M8 x 36mm
27	5880800404	X Positon switch cpl.
28	2337001000	X Base plate with threaded inserts
29	5883300095	X Strain relief clamp for Badu Jet Impulse

detail	identifikace	popis
29	5883300095	X Strain relief clamp for Badu Jet Impulse-spot
30	5871250800	X Washer, dia = 8,4mm, A 4
31	5876797080	X Lock washer, dia = 8,4mm, A 2
32	5879330830	X Hex bolt, M8 x 30mm, A 2 (for rear)
32/1	5879330850	X Hex bolt, M8 x 50mm, A 2 (for front)
33	2307008000	X Junction box cpl., 3ph (2,4 - 4A)
33	2306108000	X Junction box cpl., 1ph (10 - 16A)
33/1	2337006500	X Junction box mounting assembly
34	2302080082	X Hose clamp 9/9, A 2
35	2307005019	X Jet-pump,type 21-50/43 T, 1,6kW, in 3 phase,with socket
35	2307105019	X Jet-pump,type 21-50/43 T, 1,6kW, in 1 phase,with socket
36	2302080083	X mtr.PVC-tubing 6 x 1,5mm,crystal-clear
37	5879021080	X Washer, dia = 8,4mm, A 2
38	5876797080	X Lock washer, dia = 8,4mm, A 2
39	5879330820	X Hex bolts M8 x 20mm, A 4
39/1	2306005010	X Rubber/metal buffer
40	X	X Flathead countersunk bolt M4 x 40
41	2306002100	X Luminaire,cpl. with mantlet,socket,lamp 300W and cable
42+43	X	X Mounting frame and housing,cpl.
	2306002004	X Reparation bulb
44	2336200300	X Junction box
45	2307004009	X Hose clamp, SXM, 12, 40 x 60mm,C7-W4
46	2307007320	X Hose clamp S 73/20 SKZ
47	2307003009	X Rubber angle, dia = 63 x 52mm
49	2307851000	X Telescoping safety support
54/1	2302002854	X Ball nozzle, dia = 40mm, variable
	2300001000	X Massage hose, cpl. 40mm
	2300005000	X Pulsator, cpl. 40mm
	2306002006	X Transformer, 300 VA