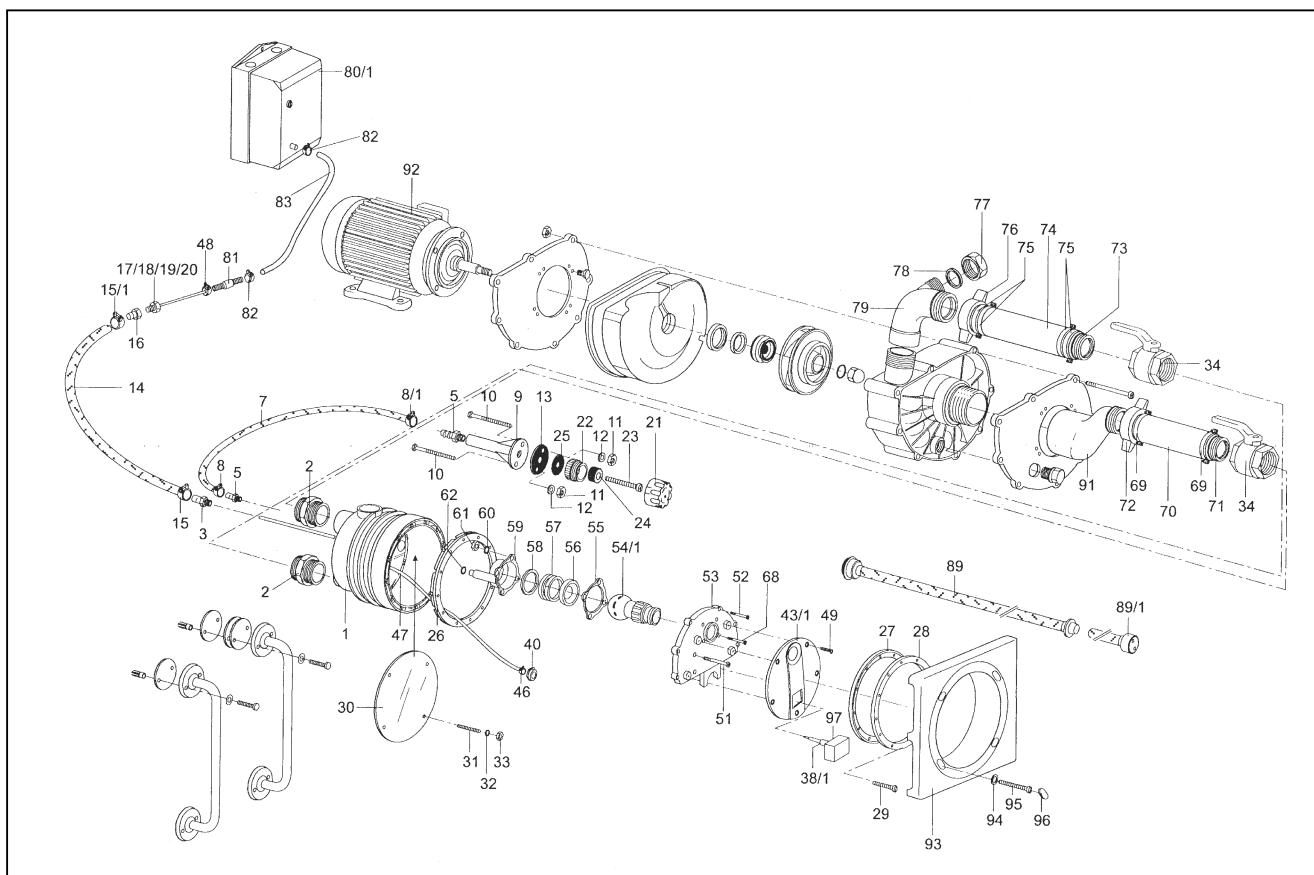


xxx PROTIPROUD BADU JET CLASSIC



detail	identifikace	popis
1-5	2303001000	X Jet-housing, assembled consisting of:
1	2303001001	X Jet-housing, W 2099
2	2303001002	X Hexagonal socket, R 2, brass
3	2301001003	X Brass connector with socket R 1/2
5	2301001005	X Hose nipple, GES 8, R 1/4, plastic
5-13	2303004000	X Holding for air-regulator, cpl., consisting of:
5	2301001005	X Hose nipple, GES 8, R 1/4, plastic
7	2301001007	X mtr. PVC hose, 8 x 3mm, clear
8	5873011409	X Hose clamp, SM 9 14 B-W5, A 4
8/1	2301004001	X Clic-clamp, 14mm
9	2301001009	X Mounting support for air control, W 1976
10	5869330880	X Screw, M8 x 80, plastic
11	5879340800	X Nut, M8, A2
12	5809021080	X Flat washer M8, DIN 9021
13	2301001013	X Gasket, 60 x 11 x 2mm, with 3 holes
14-20	2301005000	X Cable protection hose, cpl., consisting of:
14	5060200019	X mtr. PVC hose, 19 x 4mm
15	2301001015	X Hose clamp, S 27/12 SKZ
15/1	2301004002	X Clic-clamp, 26mm

detail	identifikace	popis
16	2301001016	X Socket with female thread PG 13,5; brass
17	5882400213	X Pressure screw, PG 13,5
18	5882831307	X Seal ring, 313/7
19	5882841314	X Pressure washer, D 313/14, plastic
20	2301001020	X mtr. Toroidal sealing ring, rubber, 7mm, black
21-25	2301002000	X Air control, cpl., consisting of:
21	2301002026	X Top part for air control, W 1933, white
21	2301002027	X Top part for air control, W 1933, pink
22	2301002022	X Bottom part for air control, W 1934, white
23	2301002023	X Cylinder head bolt, M10x80, with hole 5,5mm
24	2301002024	X Seal ring
25	2301002025	X Gasket for air control, 42 x 11 x 2mm
26	2303000026	X Gasket with knobs
27	2304700027	X Gasket for clamping ring
28	2303000028	X Clamping ring, W 2103
29	5879860625	X Oval head screw, M6 x 25, A4
30	2303000030	X Protective cover, dia. 275mm plastic
31	5805510680	X Stud bolt with slot, M6 x 80
32	5809021060	X Flat washer M6, DIN 9021



detail	identifikace	popis
33	5879340600	X Nut, M6, A2
34	2303001100	X Ball valve, Rp.2 1/2, brass chromium-plated
38/1	2302001900	X Pneumatic push button, W 3400/3865
40	2302001140	X Counter nut, PG 16
43/1	2304001044	X Nozzle housing cover plate, W 3866, white
46	2302001046	X Hose clamp, non corrosive, 8,7mm
47	2302001047	X mtr: PVC hose, 4 x 1,5mm, clear
48	2302001048	X Hose clamp, S 7/7 ZY
97	2302001144	X Cap for pneumatic push button, W 3864, white
97	2302001145	X Cap for pneumatic push button, W 3864, pink
49	5879834816	X Screw, 4,8 x 16, A2
51	5879850697	X Oval head screw, M6 x 97/25, A2
52	5879860625	X Oval head screw, M6 x 25, A2
53-68	2304002000	X Nozzle housing, assembled, consisting of:
53	2304002054	X Nozzle housing, W2100
54/1	2302002854	X Adjustable nozzle, 40mm
55	2302002060	X Gasket, 103x81, 5x1mm with 4 holes
56	2302002056	X Seat for nozzle, W 1925
57	2302002157	X Spacer ring, 60x73, 5x4mm see note 1 on page
58	2302002158	X Spacer ring, 60x73, 5x1,5mm see note 1 on 67
59	2302002059	X Clamping plate for nozzle, W 1924
60	5871270600	X Spring washer, B6, A4
61	5879340600	X Nut, M6, A2
62	2302002062	X O-ring 11x2, 5mm
68	5879860625	X Oval head screw, M6x25, A4
69-72 +91	2304003000	X Suction pipe, cpl., consisting of:
69	2304003069	X Hose clamp, SM BI 65x20 W 1-2
70	2304003070	X PVC hose, 50x7, 5x150mm
71	2304003071	X Hose socket, 52mm x R2, brass
72	2304003072	X Union nut with hose socket, G2x52mm+gasket
91	2304003091	X Special elbow, Rp.2 3/4 x 2
0	2304003172	X O-ring, 54x45x2mm
73-79	2304004000	X Pressure pipe, consisting of:
73	2304003071	X Hose socket, 52mm x R2, brass
74	2304004074	X PVC hose, 50x7, 5x240mm
75	2304003069	X Hose clamp, SM BI 65x20W 1-2
76	2304004076	X Union nut with hose sock., G2 1/2x52mm, gask

detail	identifikace	popis
77	2302004077	X Plug, G2, brass
78	2302004078	X Gasket for locking cap
79	2302004079	X Special reducer elbow, Rp 2 3/4x2 1/2x2, brass
	2302004176	X O-ring, 71x61x2mm
80/1-83	2304080000	X Control box, cpl. 3ph (6-10A)
80/1-83	2304980000	X Control box cpl. 1ph (10-16A)
	5880000130	X Type CI-C (till serialnumber 19.999)
	5880000133	X Type CI-K-SPECK-03 (for serialnum.20.000)
	588010.010	X Air-break contactor
	5880200010	X Motor protection for 3ph, 6-10A
	5880200016	X Motor protection for 1ph, 10-16A
	5880300010	X Relay
	5880400010	X Special-pressure switch
	5882400016	X Union, PE 16 M
	5882400116	X Nut, CE 16 M
	5885000100	X Hat section for control box
	5819814295	X Screw, 4,2x9,5mm
	2302080021	X Gasket 26x15x1mm
	5885000110	X Clip, C 10
	5885000170	X Fuse cpl.
	5885000199	X Heat coil fuse, 6 A
81	2302080081	X Hose socket, GRS 6-4, plastic
82	2302080082	X Hose clamp, S 9/9 ZY
83	2302080083	X mtr: PVC hose, 6x1,5mm, clear
89	2300001000	X Massage hose complete (for large nozzle)
89/1	2300003000	X Massage hose complet+puls. massage nozzle
92	2304000092	X Jet-pump, type 21-80/32G, 29Grad; 3ph., 2,6kW, 400/230V, 50Hz
92	2304900092	X Jet-pump, typ. 21-80/32RG, 29Grad; 1ph, 2,2kW, 230V, 50Hz
93	2304005236	X Square cover, W 3868, white
94	5871250600	X Washer for M6, A4
95	5879860616	X Oval head screw M6x16, A 4
95	5879860660	X Oval head screw, M6x60, A 4
96	2304005237	X Plug for square cover, W 3877 B, white
57	2302002057	X Spacer ring, 60 x 73,5 x 6,2mm
57	2302002157	X Spacer ring, 60 x 73,5 x 4mm
58	2302002158	X Spacer ring, 60 x 73,5 x 1,5mm
58	2302002058	X Spacer ring, 60 x 73,5 x 1mm