

# BADUJET Turbo Light

Innovative technology combined with elegant design.  
Perfect for leisure and relaxation swimmers.

## Field of application

For mounting into walls of all pool models, up to a wall thickness of 7 mm, except for round pools.  
For performance-oriented workouts, relaxation, rehabilitation training, fitness or leisure fun with the whole family.  
For an endless swimming experience without any turning.

## Design

The built-in main housing uses innovative propeller technology to draw water in via the cover and return it to the swimming pool with a powerful stream. The system is driven by an efficient, fanless, fully encapsulated permanent magnet motor.  
Power control as well as switching the power on and off is carried out via the integrated piezo buttons or a remote control.

## Materials used

Main housing ..... ABS  
Nozzle housing ..... ABS  
Covers ..... ABS  
Intermediate flange ..... PP GF 30  
Drive unit ..... PP GF 30  
Mechanical Seal ..... carbon/ceramic/NBR  
Screws ..... stainless steel

## Scope of delivery

Plastic main housing, suction cover, ABS cover, propeller unit, nozzle unit, piezo buttons, seals, screws.

Technical data at 50 Hz/60 Hz	BADU JET Turbo Light
Flow rate (m <sup>3</sup> /h)	90-200
Voltage	1~ 230V
Power input P <sub>1</sub> <sup>1)</sup> (kW)	1.1
Number of nozzles (Ø 40 mm)	1
Flow velocity (m/s)	1.1-2.4
Multi-directional swivel nozzle (degrees)	±5

For more detailed information regarding the motor protection please see page 167.

Technical data may vary.

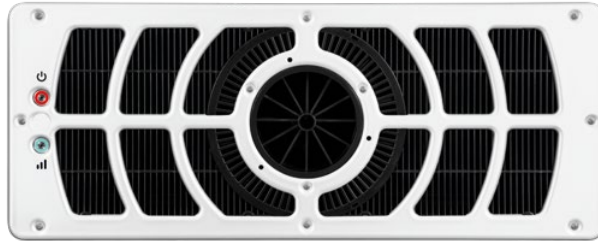
Article no	Description
232.8300.000	BADU JET Turbo Light <sup>6)</sup>
232.8000.406	BADUJET Turbo Light additional kit for 8-17 mm wall strength
232.8000.407	BADUJET Turbo Light additional kit for 18-27 mm wall strength

For pools with a wall thickness from 8 mm on request.

Counter swim units, submerged



Design 1 >



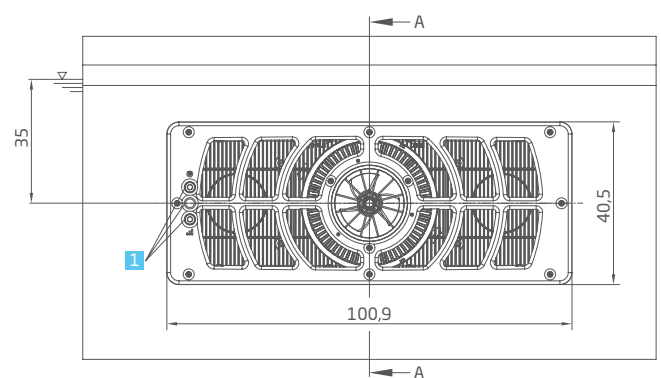
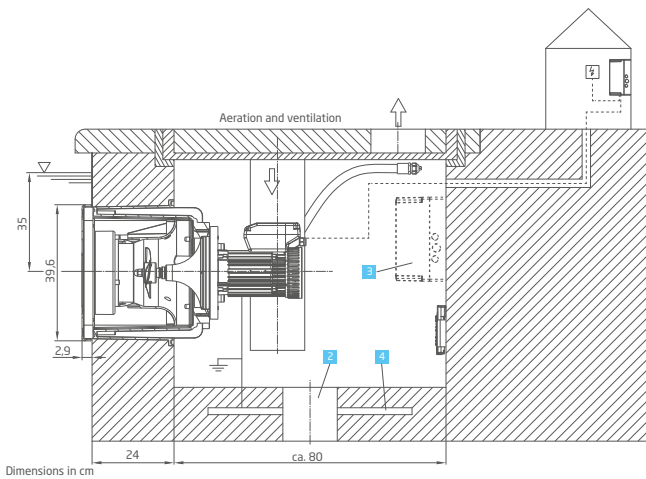
Pending approval.



### Dimensions

### Dimensions

Recommended installation example



Detailed dimensions available on request or at badu.de

- 1 Piezo buttons
- 2 Floor drainage
- 3 Control box
- 4 Earthing strap

Counter swim units, submerged