

**RECHARGEABLE POOL VACUUM  
ASPIRATEUR RECHARGEABLE SANS FIL  
LIMPIAFONDOS INALÁMBRICO RECARGABLE  
HERLAADBARE BODEMZUIGER  
PULITORE A BATTERIE RICARICABILI  
WIEDERAUFLADBARER POOLSAUGER**

---

EV60



**USER MANUAL  
MANUEL D'UTILISATION  
MANUAL DE USUARIO  
HANDLEIDING  
MANUALE D'USO  
BEDIENUNGSANLEITUNG**


**Remark:** Depending on the model you own, accessories/ parts shown in this manual are not necessarily included in every model. Product/parts in photos/drawings may vary with the model purchased. Check the spare parts drawing to understand the parts included in your model purchased.

## **SAFETY WARNINGS & INSTRUCTIONS**

Information contained in this Instruction Manual will help you operate the item safely, protect yourself and others from hazards, and prevent damage to the device and other property.

### **SAVE THESE INSTRUCTIONS**

#### **WARNING!**

- This is not a TOY. Children should be kept out of reach from this pool vacuum and its accessories.
- Never allow children to operate this pool vacuum.
- This appliance is not intended for use by persons with reduced physical, sensory, mental capabilities, or a lack of experience and knowledge, unless they are given supervision or instructions concerning the safe use of the appliance and understand the hazards involved by a person responsible for their safety.
- Children must not play with this product.
- Cleaning and maintenance of the pool vacuum must not be carried out by children.
- Make sure the pool vacuum is fully immersed in the pool before initiating operation. The minimum water level required to operate the pool vacuum must cover the entire pool vacuum. Operating the pool vacuum when it is not immersed correctly could damage the unit and void the warranty.
- Maximum operating depth in water is 3 meters (9.8ft).
- Maximum water temperature: 5°C (41°F) – 42°C (107.6°F).
-  Detachable supply unit (external adaptor).
- The pool vacuum should only be recharged with the external adaptor and charging plug delivered with this product.
- For the purposes of recharging the battery, only use the detachable supply unit that provided with this pool vacuum to charge the battery.
- Connect the external adaptor to a power source through a residential current device (RCD) / a ground fault circuit interrupter (GFCI). If in doubt, consult a qualified electrician.
- Do not use this pool vacuum if any damage is detected.
- Replace damaged parts with ones that are certified by the distributor or manufacturer.

- Turn off the power, disconnect the external adaptor from the power source, and unplug the external adaptor from the charging plug before detaching the pool vacuum from the charging plug.
- Disconnect the pool vacuum from the supply mains and make sure the pool vacuum is OFF prior to carrying out regular maintenance – such as cleaning the filter and the charging pins.
- Do not attempt to replace the installed rechargeable Li-ion battery pack.
- DO NOT handle the pool vacuum, external adaptor, and charging plug while it is charging with wet limbs and without shoes.
- Ensure that children do not attempt to access the pool vacuum while it is operating.
- DO NOT use this pool vacuum without an intact filter cone in place, as your warranty will be voided as a result.
- Suction entrapment hazard: This pool vacuum generates suction. Do not allow hair, body, or any loose parts of your clothing to make contact with the suction hole of the pool vacuum during its operation.
- Never insert body parts, clothing or other objects into the openings and moving parts of the pool vacuum.
- DO NOT use this pool vacuum to pick up any toxic substance, flammable, and combustible liquids (i.e. gasoline) in the presence of explosive or flammable fumes.
- Under no circumstances should you attempt to disassemble the pool vacuum and replace the impeller, motor, and battery by yourself.
- Never insert fingers or any object to touch the impeller.
- The built-in battery must be removed by a skilled technician before it is scrapped.
- This pool vacuum contains a battery that are only to be removed by skilled persons.
- The pool vacuum must be disconnected from the supply mains as the battery is removed.
- For details regarding battery recycling/disposal, refer to the section “BATTERY DISPOSAL” in this manual and contact your local authorities for more information.
- The battery must be disposed safely in accordance with local ordinances or regulations.
- External adaptor and charging plug:
  - Never use the external adaptor and charging plug for anything other than charging the battery of the pool vacuum that is supplied in the same pack.

- The external adaptor and charging plug should not be used outdoors, nor should it be exposed to rain, humidity, and any liquid or heat.
- The transformer (or external adaptor) is to be located outside zone 1.
- Keep the external adaptor and charging plug out of reach of children.
- Never use the external adaptor and charging plug if any damage is detected.
- DO NOT handle the external adaptor and charging plug with wet hands.
- DO NOT handle the pool vacuum, external adaptor, and charging plug while charging with wet hands and without shoes.
- Keep the external adaptor disconnected from power when it is not in use.
- Never attempt to open the external adaptor and charging plug.
- If the supply cord of the external adaptor is damaged, the external adaptor must be replaced by the manufacturer or its service agent to prevent hazards of any kind.
- Make sure the pool vacuum and the charging plug are completely dry before charging.

#### CAUTION!

- This pool vacuum is designed for underwater use only; it is not an all-purpose vacuum cleaner. DO NOT attempt to use it to clean anything other than your pool / spa.
- Use only original accessories delivered with this product.
- DO NOT use this pool vacuum right after pool-shocking. It is recommended to leave the pool circulating for at least 24-48 hours.
- If you are planning on using the pool vacuum in a saltwater pool, make sure all salt are dissolved before deploying the pool vacuum.
- DO NOT use this pool vacuum with another automatic cleaner/cleaner simultaneously in the pool/spa.
- Avoid picking up hard, sharp objects with this product. They may damage the pool vacuum and filter.
- Exercise caution when cleaning pool stairs.
- To avoid damages to the external adaptor and charging plug, do not attempt to carry the pool vacuum by the cord of external adaptor / charging plug or pull the cord to disconnect it from the power source and charging plug.
- Charge the pool vacuum indoor in a clean, dry area with good ventilation and an ambient temperature between 5°C (41°F) and 30°C (86°F).
- DO NOT leave the pool vacuum charged for over 10 hours.
- If the pool vacuum will not be used for an extended period, detach it from the charging plug and use a damp cloth to clean and dry the pool vacuum and accessories. Make sure to charge the pool vacuum to about 30% to 50% of the battery capacity before it is stored. Store in a well-ventilated area away from sunlight, heat, ignition sources, pool chemicals, and children. Never leave the pool vacuum plugged in for long-term storage. Recharge the pool vacuum every three months.

**Above warnings and cautions are not intended to incorporate all possible instances for risks and / or severe injuries.** Pool / spa owners should always exercise extra caution and common sense when utilizing the product.

# GETTING STARTED

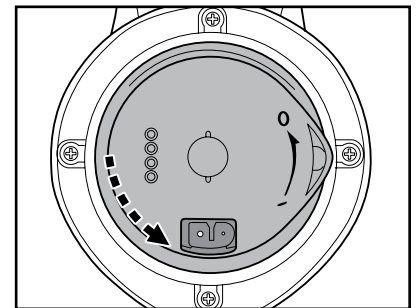
## Charging The Battery

**IMPORTANT NOTE:** Fully charge the pool vacuum (about 6 hrs) before using it for the first time.

### WARNING!

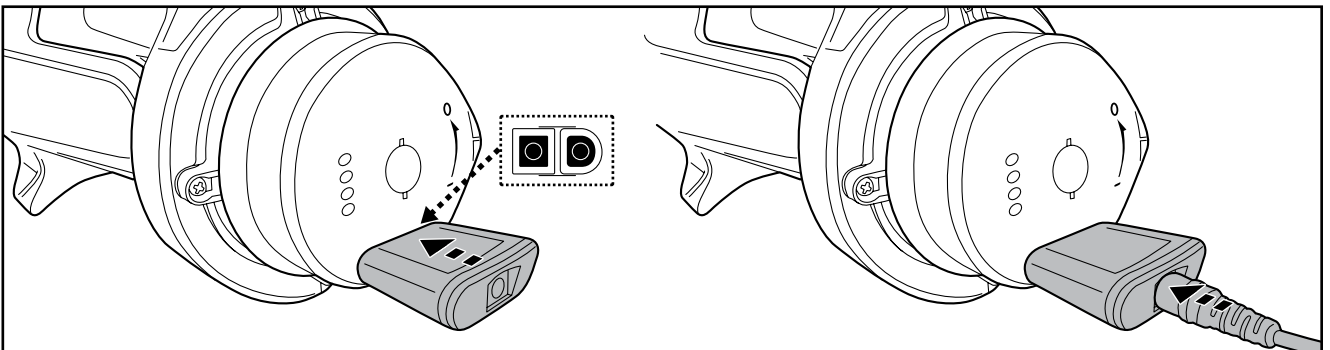
- Use only the original external adaptor and charging plug provided.
- Make sure the pool vacuum and the charging port are clean and dry before set-up and charging. (TIPS: use a cotton bud to dry the charging port and charging pins)
- Charging must be done indoors, in a well-ventilated area away from sunlight, children, heat, ignition sources, and with an ambient temperature between 5°C (41°F) and 30°C (86°F).
- Never use the external adaptor and charging plug if any damage is detected.
- The charging pins are waterproof. However, remnants of water in the port and around the pins could result in natural occurrence of stains (a byproduct of chemical reaction between water and electric currents). Otherwise, the stains can be removed by light scrubbing with a cotton bud soaked with juice of lemon or vinegar.
- Make sure that the pool vacuum is turned off prior to charging.

1. Place the unit on a flat surface. Set the pool vacuum to Power Off / Charging Mode by turning the switching knob anticlockwise until it clicks and completely exposes the charging port.

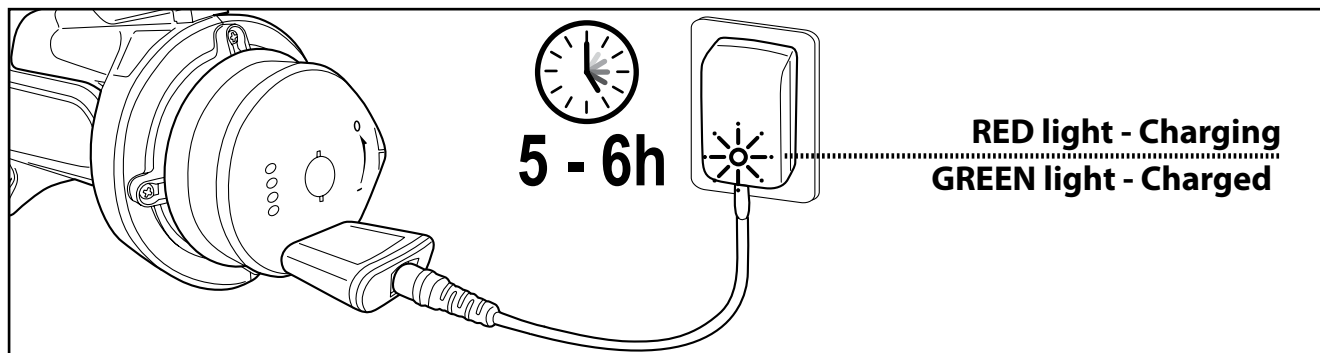


2. Align and insert the charging plug to the charging port.

**WARNING!** Be sure not to invert the charging plug and ensure both the charging plug and charging port are clean and dry before charging them. TIPS: Use cotton bud to dry the charging port and pins. Plug the charging cable of the external adaptor into the charging plug.



3. Connect the external adaptor to the power source. The indicator light on the external adaptor will turn red when the vacuum is charging and green when it is fully charged. Charge it for 5-6 hours for best performance.



**NOTE:** if the motor is generating noise, turn off the unit by positioning the switching knob to Power Off/Charging Mode position.

- Immediately disconnect the external adaptor from the power source if you detect any of the following:
  - Offensive or unusual odor
  - Excessive heat
  - Deformation, cracks, leaks
  - Smoke

4. When charging is complete, disconnect the external adaptor from the power source and detach the charging plug from the unit and external adaptor.

Normally, the pool vacuum can operate up to 75 minutes on a full charge (charged for 5-6 hours).

Note: Clean the cartridge filter/filter cone regularly. Excessive debris inside the cartridge filter /filter cone increases the burden to the motor operation and shortens the operating duration as a result.

**FACT:** Rechargeable Lithium-Ion battery is classified as a consumable item. It has a limited life and will gradually lose its capacity to hold a charge. Therefore, running time of the pool vacuum will gradually reduce through repeated charging and discharging in operation.

Once the lifespan of the battery reaches its end, refer to section "BATTERY DISPOSAL" for instructions regarding battery disposal.

**NOTE:** Let the pool vacuum rest for 30 to 40 minutes before charging it again.



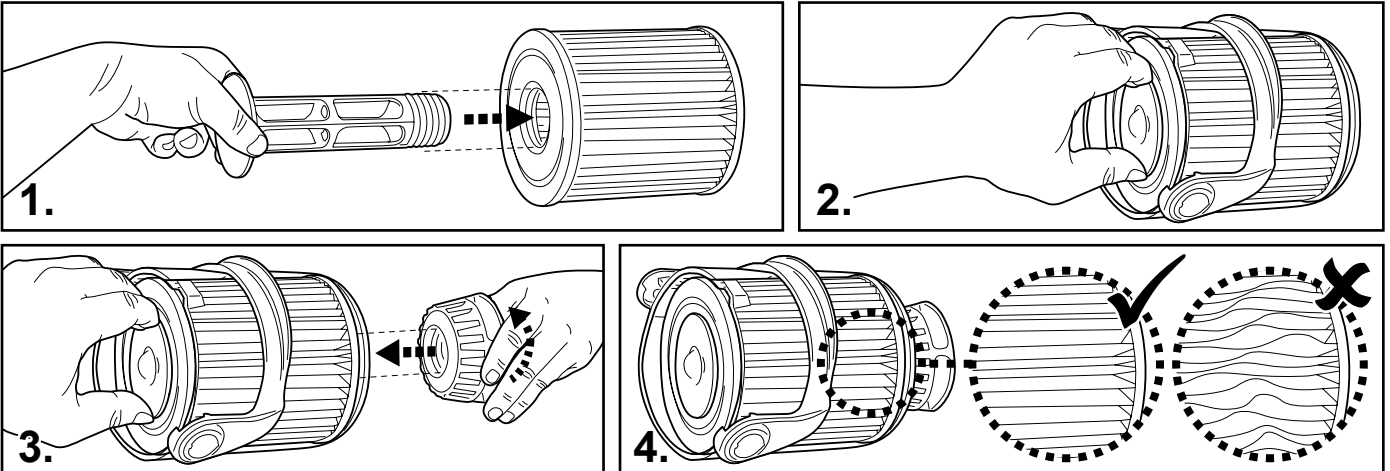
## Set-Up Before Use

This pool vacuum is equipped with a filter cone for cleaning general debris like leaves and larger particles on the pool bottom. Additional cartridge filter and garden hose adaptor to clean fine debris, silt and flocculant.

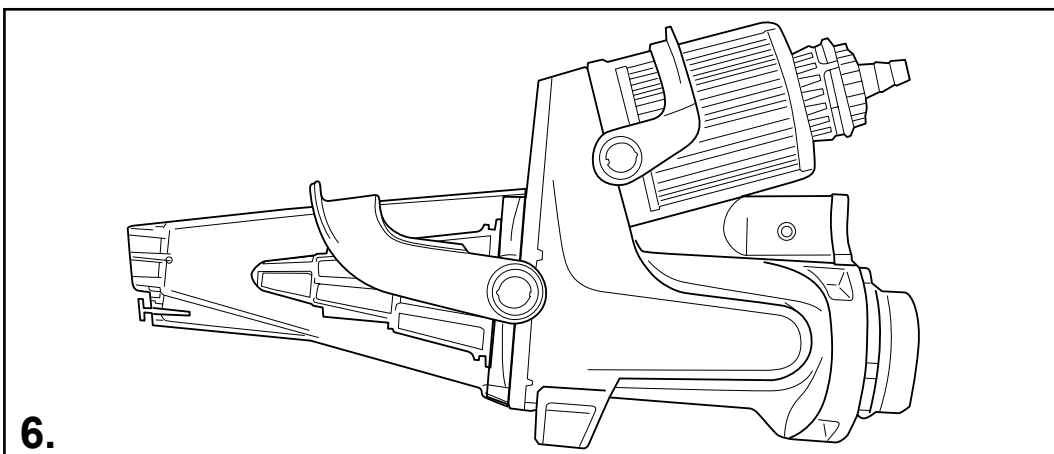
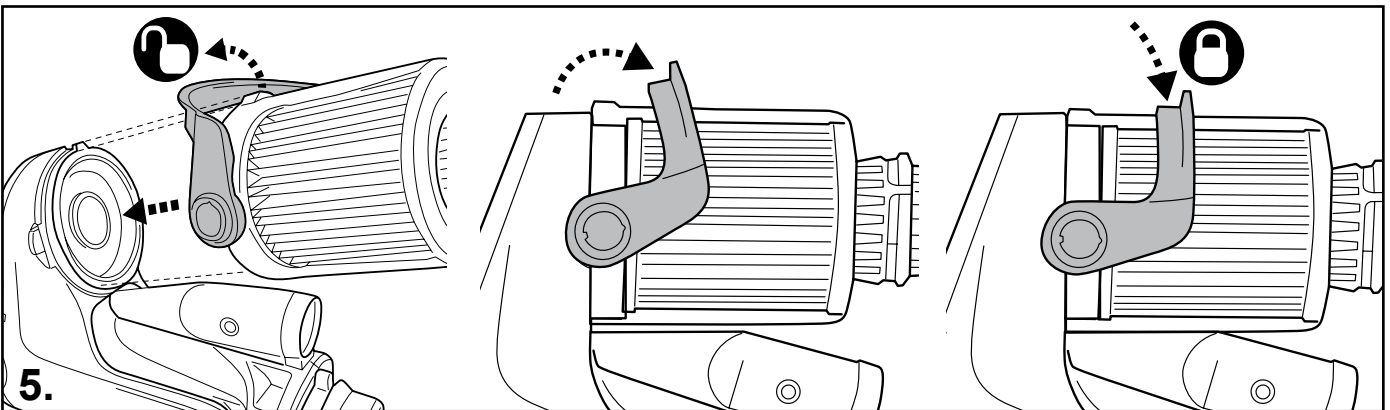
### Set-up for LEAF-OUT™ and SAND-OUT™ function

#### Cleaning fine debris (with cartridge filter)

This is intended for picking up fine debris (i.e., leaf, sand, fine dust etc.)



**WARNING!** do not overtighten the threaded valve.



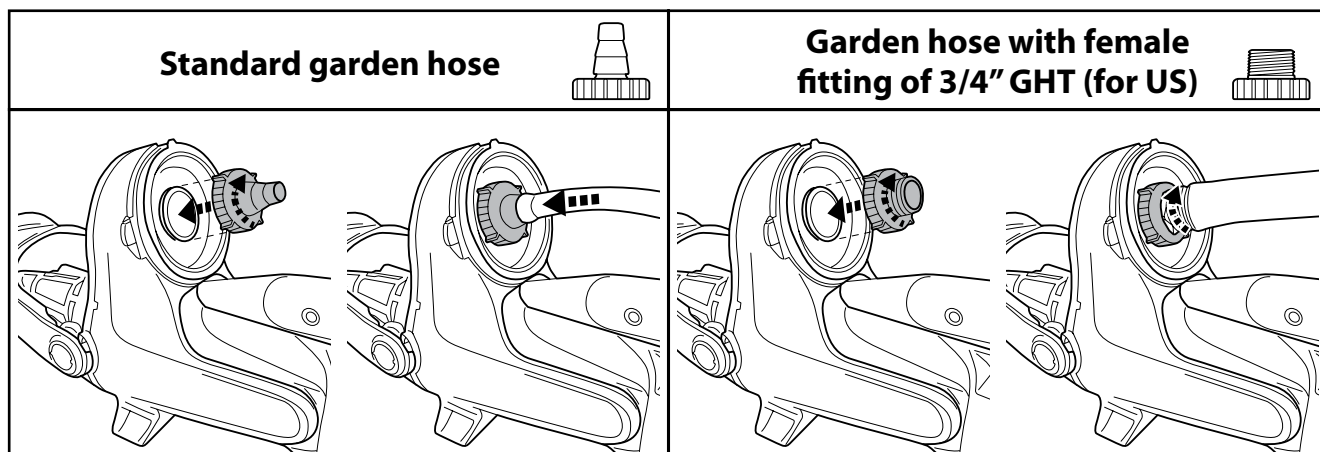
## Set-up for FLOC-OUT™ function

### Cleaning flocculant and silt

(Only use this set-up for cleaning the flocculant and silt. DO NOT use cartridge filter to clean the flocculant and silt because it will gum up the cartridge and then shorten its life in usage)

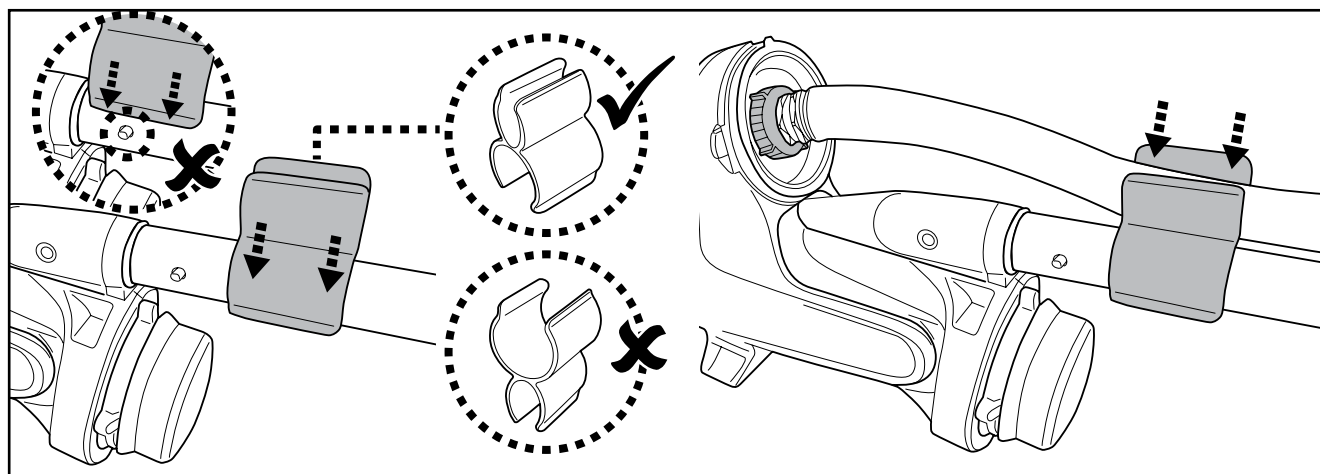
#### 1. Connect the garden hose.

You will need a garden hose (not included) with the length at least the distance from the farthest cleaning spot in your pool to the location for discharging the water.



#### 2. Assemble the telescopic pole as instructed in this manual.

#### 3. Align the hose on the pole.

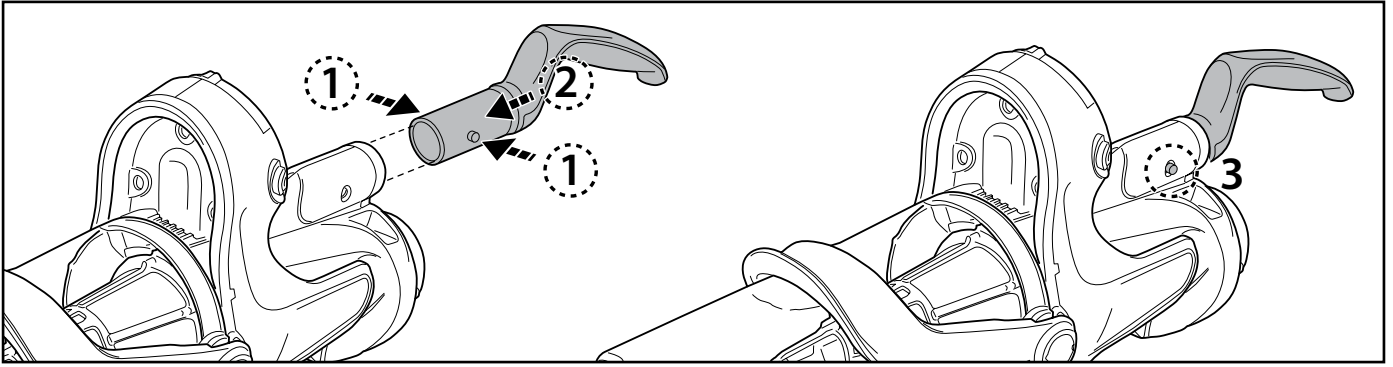


#### TIPS:

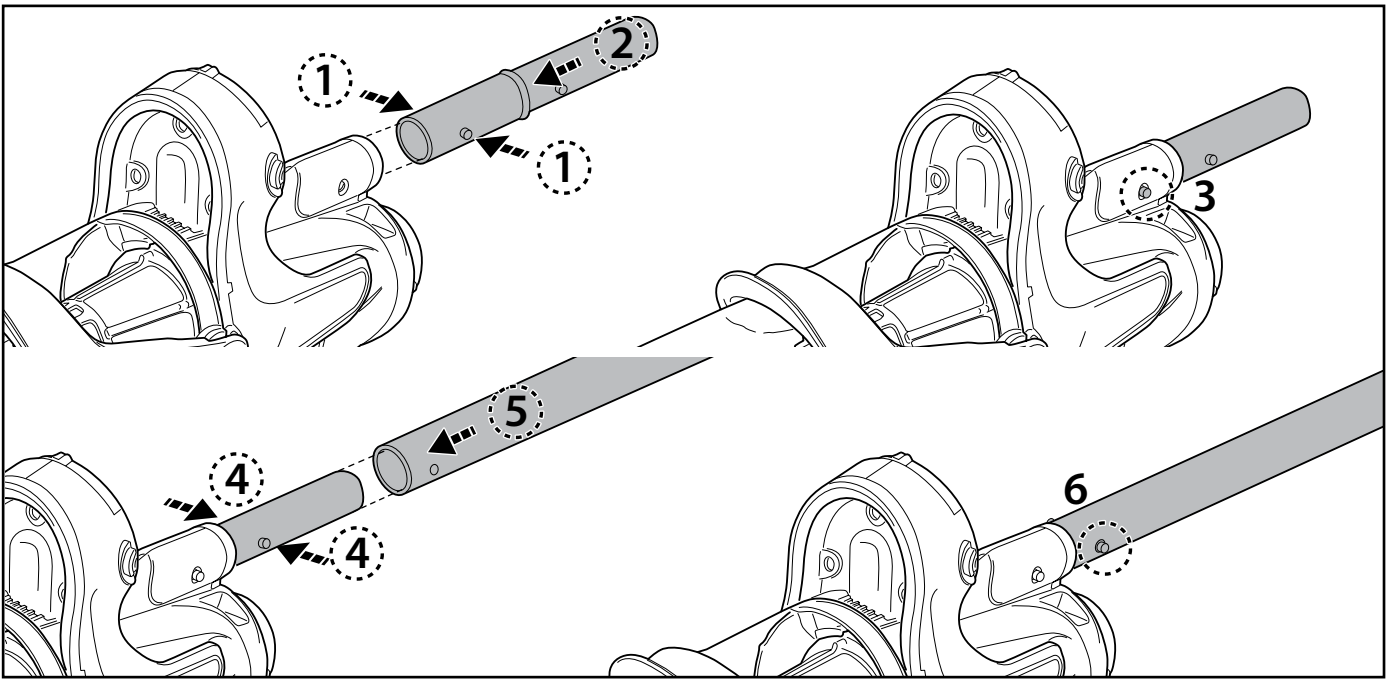
- To prevent the flocculant from floating, not sink to the bottom of the pool, it is advisable to turn off the pump before cleaning.
- To remove the flocculant on the pool bottom, you should use head provided with the pool vacuum and remove brush on side/corner from the suction head.
- When cleaning, it is important to work carefully and slowly to avoid stirring up the flocculant & debris. You will need to take a pause and wait for them to settle down again.
- It may take several rounds of vacuuming to remove all the flocculant & debris. After the first round, allow the debris to sink again and repeat the process to get more clean water.



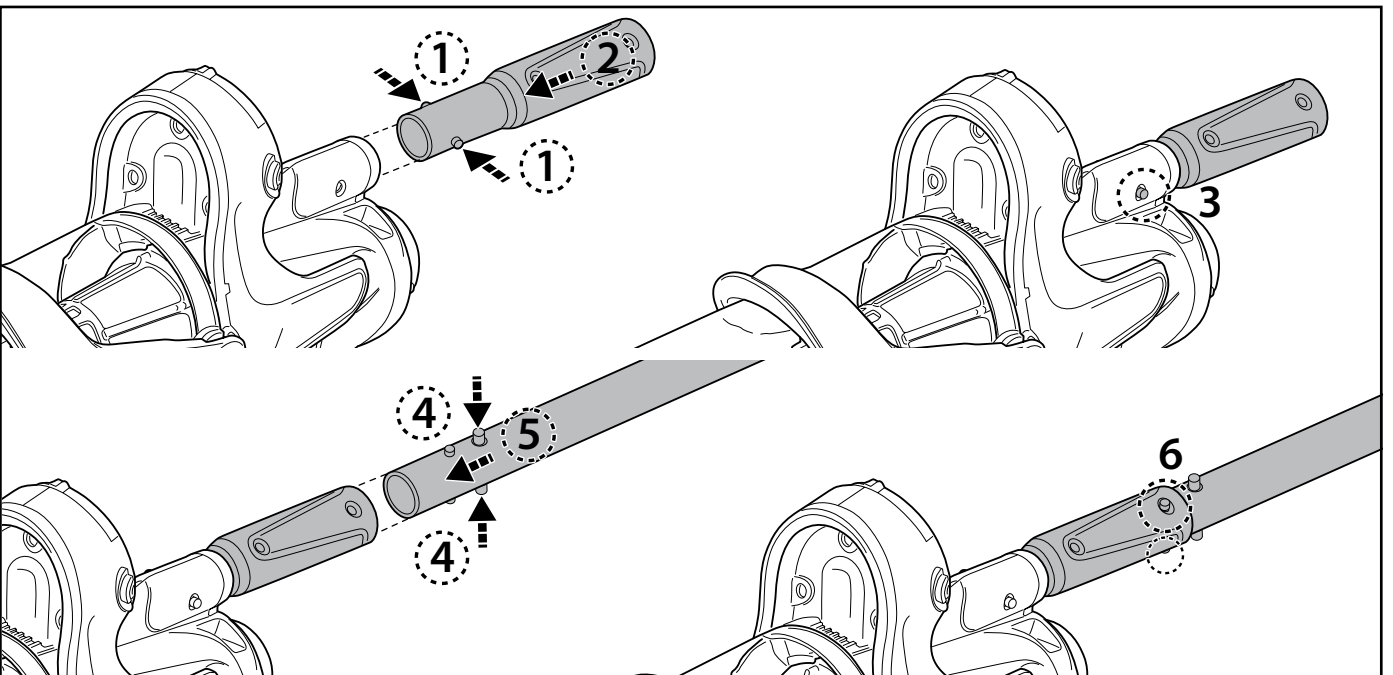
### Curved handle assembly



### Telescopic Pole (Not Included) Assembly (For EU & USA only)



### Specific Telescopic pole (not included) assembly (For Australia and New Zealand only)



## ***Pool Preparation***

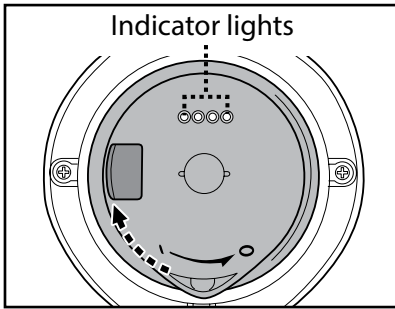
- If there are stones, roots or metal corrosion in contact with the underside of the liner, discard them prior to using the pool vacuum. If necessary, seek assistance from a qualified professional.
- If the liner is brittle, damaged or wrinkled, contact a qualified professional to perform the necessary repairs or perform a liner replacement prior to using the pool vacuum.
- If you are using a saltwater pool, make sure all salt are dissolved before placing the pool vacuum into the water.

## **OPERATION**

### **WARNING!**

- Make sure the pool vacuum is off.
- Do not use the pool vacuum if any damage is detected.
- Oil stain could occur due to possible leakage of lubricants applied to the O-ring.
- Make sure the pool vacuum is fully immersed in the pool before initiating operation. The minimum water level required to operate the pool vacuum must reach above the power ON/OFF switch of the pool vacuum when it is held in a vertical position. Operating the pool vacuum when it is not immersed correctly could damage the unit and void the warranty.
- DO NOT use the pool vacuum without an intact filter cone in place. Using your pool vacuum without an intact filter cone in place will VOID your warranty.
- DO NOT leave the pool vacuum in the water when it is not in use.
- Ensure the charging plug is detached before the pool vacuum is deployed.

- 1) Bring your pool vacuum to the side of your pool / spa. Immerse the pool vacuum in water and turn the power switching knob clockwise to initiate operation.

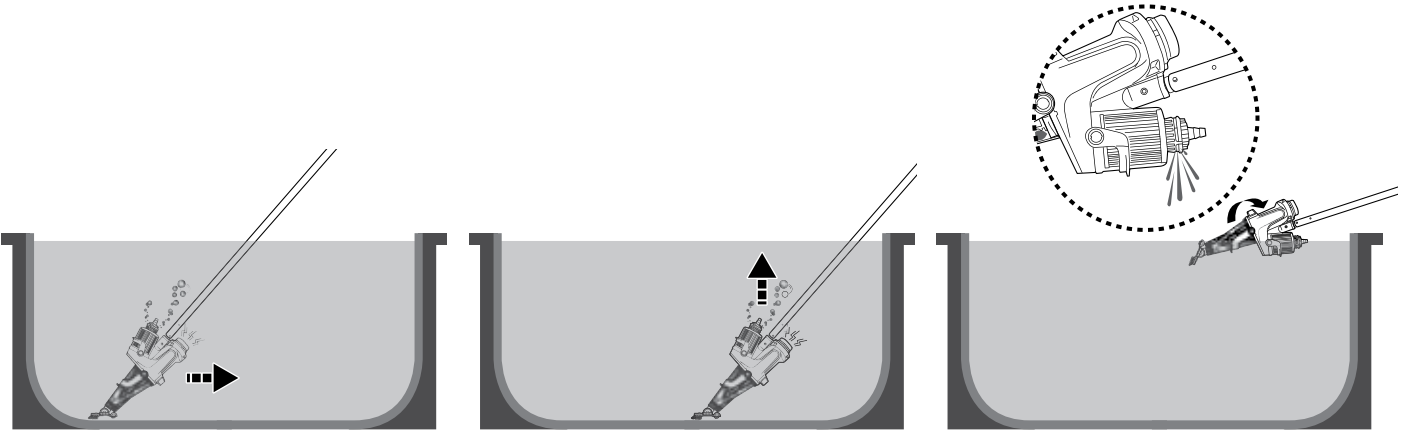


Power indicator lights:

	4 lights ON	Up to 75 minutes left.
	Last light blinks	Only 10-15 minutes of usage remains once the last light starts blinking.

**CAUTION!** Make sure the pool vacuum is always facing downwards when it is placed into the pool. Otherwise, it may bend the pole connector and damage it during the process.

- 2) To remove the pool vacuum from the pool / spa, turn over the pool vacuum, lift the pool vacuum while pointing it downwards. Water is going to escape via the pole, draining valve on the canister and bottom of the pool vacuum. Turn the pool vacuum to have the draining valve face to the pool to drain the water.



**CAUTION!** Make sure the pool vacuum is always facing downwards when it is removed from the pool. Otherwise, the pole connector may be bent and damage the pool vacuum in the process.

- 3) Rinse the pool vacuum with fresh water after every use. DO NOT use any detergent.

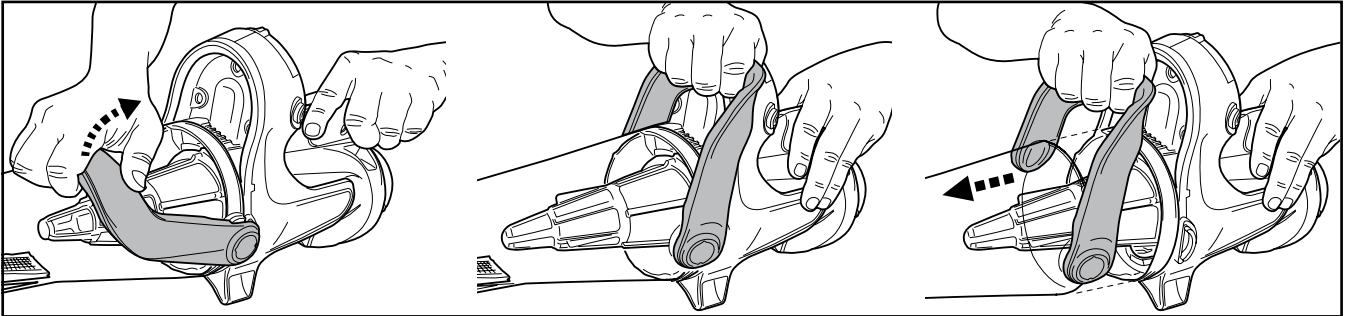
## Cleaning the filter

**WARNING!** Using the pool vacuum without a filter cone in place will VOID your warranty.

In order to maximize the cleaning efficiency, be sure to clean the cartridge filter/filter cone before and after each use.

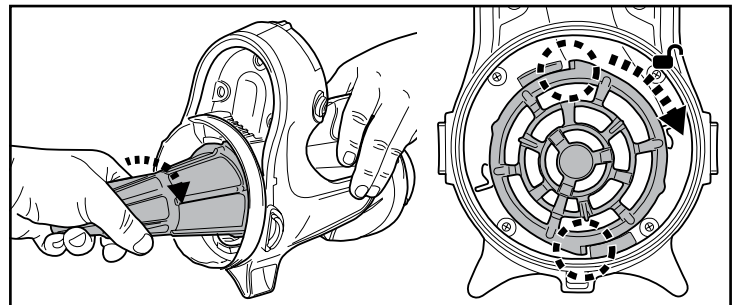
**CAUTION!** If the pool vacuum is charging, disconnect the external adaptor from the power source and detach the pool vacuum from the charging plug. Make sure the pool vacuum is OFF.

- Cleaning the filter cone
  - 1) Place the pool vacuum on a stable surface.
  - 2) Hold the pool vacuum and pry up the canister lever to the end to completely release the side locks.



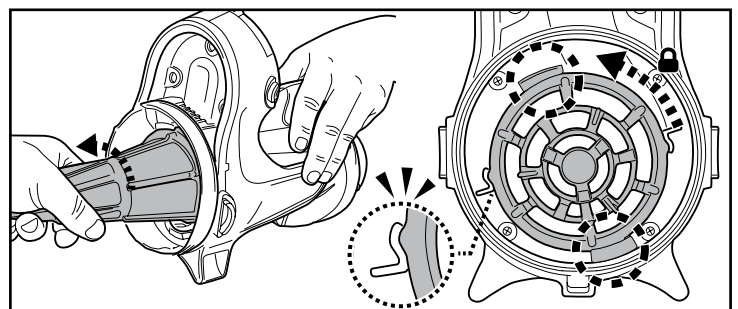
Detach the canister and turn the filter cone clockwise until its side tab out of the notch. Remove filter cone from the cleaner.

**CAUTION!** Replace the damaged filter cone immediately before the next operation.

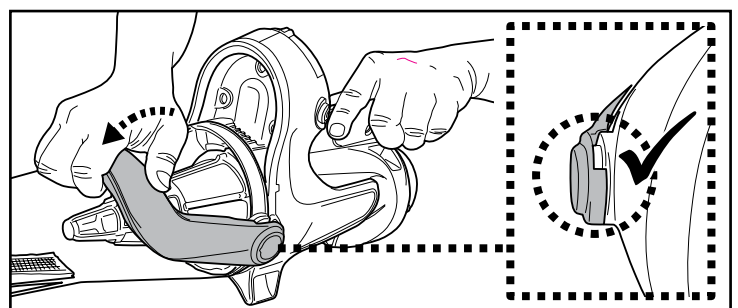


- 3) Clean out the debris and rinse the filter cone with water. If brushing is deemed necessary, use only a soft brush to clean the filter cone gently and carefully.

- 4) Reverse the previous steps to re-assemble the filter cone. Turn the filter cone anticlockwise until its side tab is secured inside the notch on both sides as shown. You will hear a "click" sound.



- 5) Align and re-assemble the hood to the pool vacuum and make sure the lever is completely pushed down to the hood. You will hear a "click" sound.



- Clean the cartridge filter

Follow the instruction in “Cartridge filter setting” to detach cartridge filter.

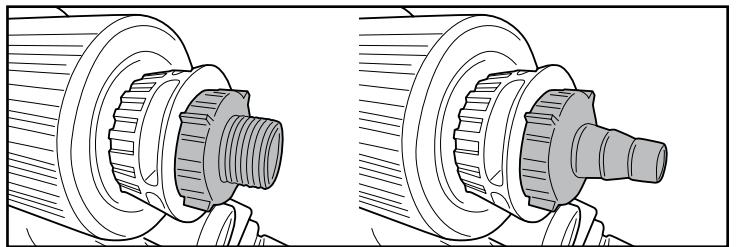
Inspect everything for damage and wear. If you find any damages or tears, it’s time to replace the cartridge.

It is recommended to wash the cartridge filter with a water jet after each pool cleaning cycle. Spray at an angle to get rid of the debris between the pleats of the cartridge filter. Never use a pressure washer as it will damage the cartridges. If the cartridge is really dirty, soak it in water with detergent for 2-3 hours, then rinse it with a water jet. If brushing is deemed necessary, use only a soft brush to clean it carefully and gently to avoid any damages.

## MAINTENANCE & STORAGE

### NOTE:

- 1) Be sure to clean and dry the areas around the charging port and charging pins after every use to avoid the forming of stains (byproduct of a natural chemical reaction between electric current and water). Otherwise, the stains can be removed by light scrubbing with a cotton bud soaked with juice of lemon or vinegar.
- 2) Battery discharges on its own during storage. Make sure to charge the pool vacuum to about 30% to 50% of the battery capacity before it is stored.
- 3) You must re-charge the battery at least once every three months when it is not in use.
  - Unplug the external adaptor from socket and then unplug the adapter jack from the charging plug.
  - Detach accessories from the pool vacuum. If necessary, rinse the pool vacuum and accessories with fresh water. DO NOT use detergent.
  - Make sure to drain the water from the unit, handle and pole connector.
  - Use a damp cloth to clean and dry the pool vacuum and its accessories.
  - Store them in a well-ventilated area away from the sunlight, children, heat, ignition sources, and pool chemicals. Ambient temperature for storage should be 10°C – 25°C (50°F – 77°F). NOTE: A higher temperature may reduce the battery life during storage.
  - To better organize the hose connector in storage, screw the connector onto the cartridge valve.



## WARNING!

- Never attempt in any way to disassemble the pool vacuum.
- Under no circumstances should you attempt to disassemble the pool vacuum and replace the impeller, motor and battery by yourself.

### CAUTION!

- Excessive heat can damage the battery and reduce its lifespan as a result.
- Consult your dealer regarding battery replacement if the following happens:
  - Battery does not charge fully.
  - Battery operation time is noticeably reduced. Observe and record the run times of the first few operations (on a full charge). Use these run times as a reference point for comparison with run times in the future.
- The battery must be removed from the pool vacuum before it is scrapped.
- The pool vacuum must be disconnected from the supply mains when removing the battery
- The battery is to be disposed safely and according to local ordinances or regulations.

**NOTE:** Incorrect maintenance may reduce the battery life and affect its capacity as a result.

## **BATTERY DISPOSAL** ( To be carried out by an authorized technician )

Your pool vacuum battery is a maintenance-free rechargeable lithium-ion battery pack, which must be disposed properly. Recycling is required; please contact your local authority for information.

### **WARNING!** Never attempt to disassemble a battery pack.

- Remove all personal items such as rings, bracelets, necklaces and watches when the battery pack is unwired from the pool vacuum.
- A battery can produce a short circuit current high enough to weld a ring (or similar item) to metal, causing a severe burn in the process.
- Wear complete eye protection, gloves and protective clothing when the battery pack is being removed.
- Avoid touching the wires altogether and avoid allowing them to make contact with any metal items, which could cause sparking and/or short circuit the battery.
- Never smoke or allow a spark or flame in the vicinity of the battery or the pool vacuum.
- Do not expose the battery to fire or intense heat as this may result in an explosion.

### **CAUTION!**

If a battery leak occurs, avoid any contact with the leaking fluids and place the damaged battery in a plastic bag.

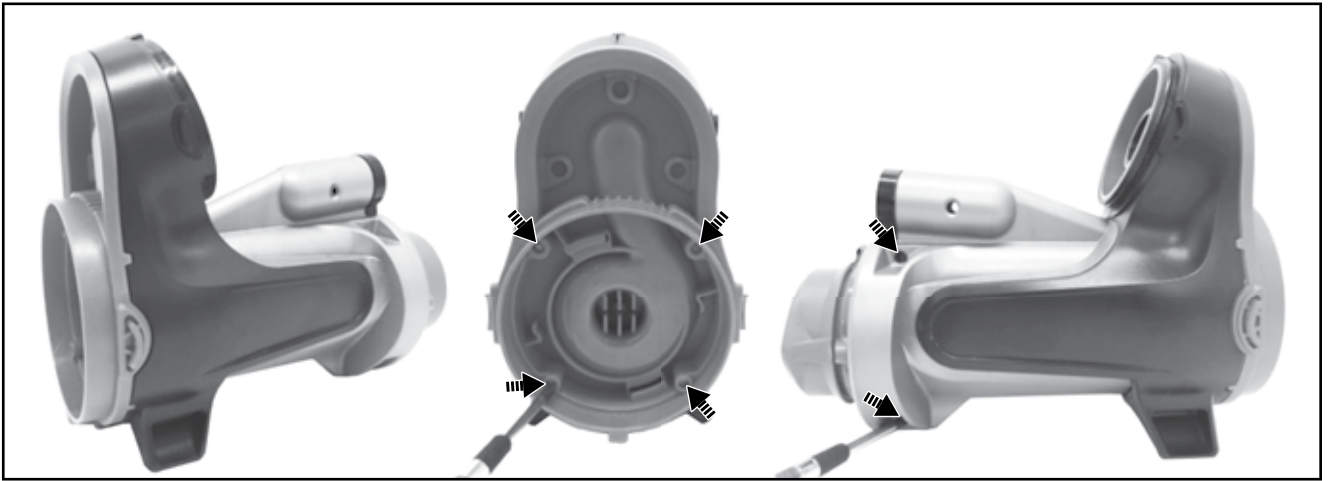
- If leaking fluids come in contact with skin and clothing, wash immediately with plenty of soap and water.
- If leaking fluids come in contact with eyes, do not rub eyes, immediately flush eyes with cool running water for at least 15 minutes and do not rub them. Seek medical attention as soon as possible.



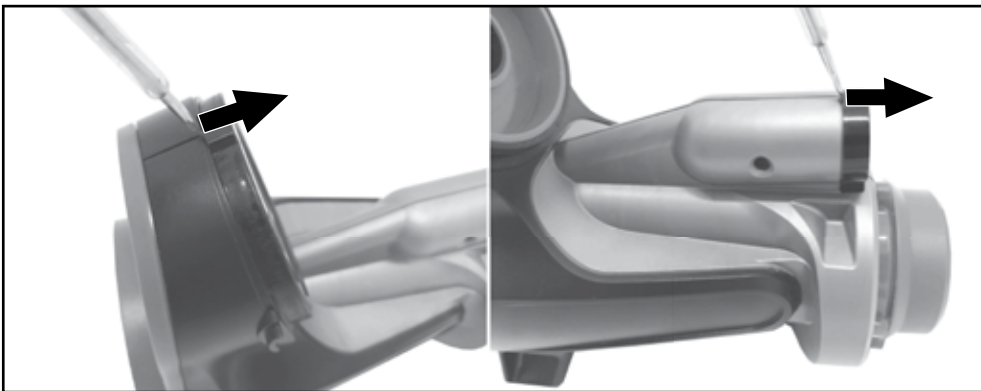
**How to remove the battery pack for battery disposal only** (To be done by authorized technician)

Recommended tools (not included): Flat & Philips screwdriver.

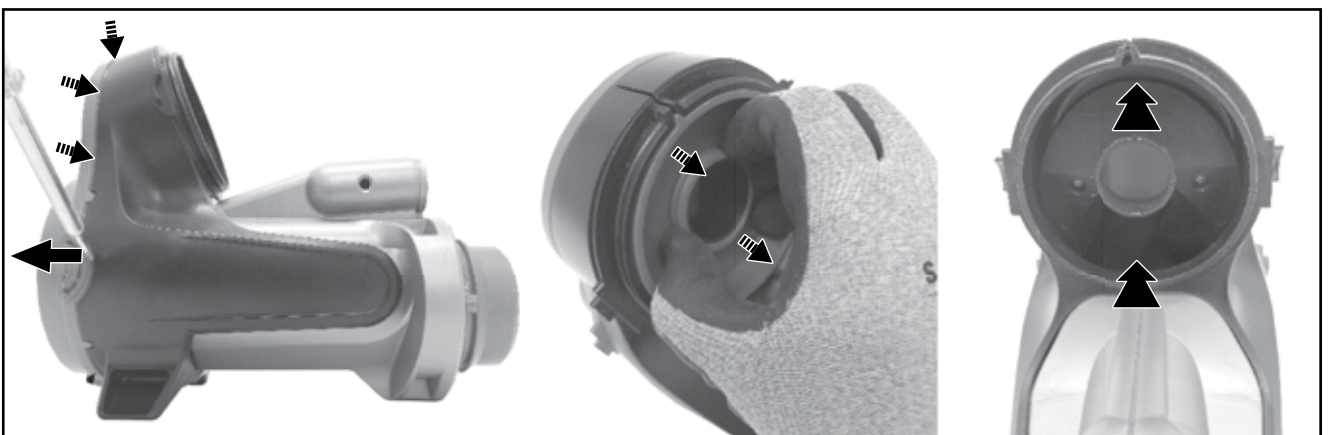
- 1) Follow abovementioned instruction to detach the canopy and the filter cone. Use Philips screwdriver to unfasten the screws on the front and side as shown.



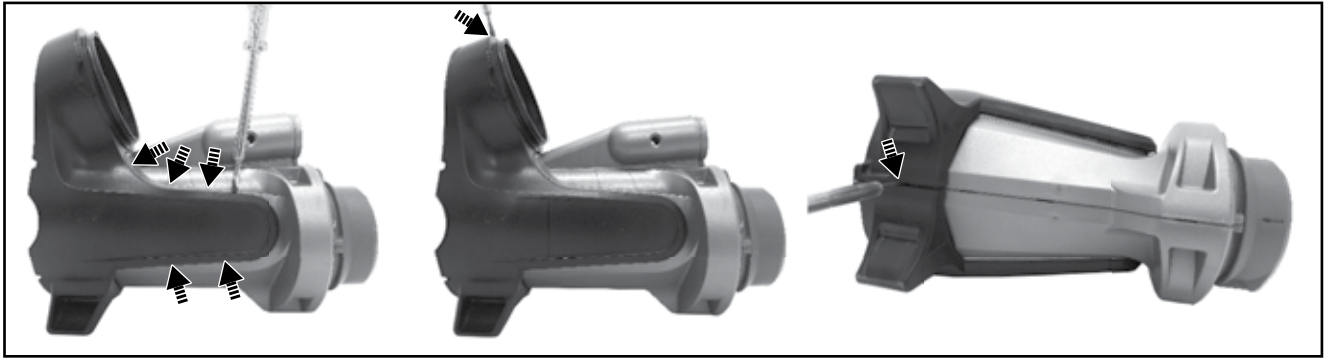
- 2) Use flat screwdriver to pry detach the ring on the top and the end as shown. If it is hard to pry, use cutting plier to cut them.



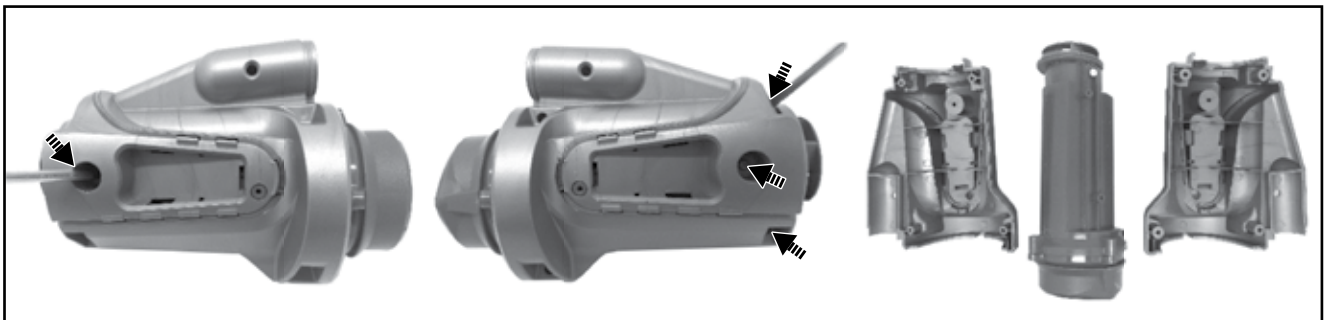
- 3) Use flat screwdriver to pry along the seam behind the front panel. Pull out the inner cover. If necessary, use plier wrench to detach the inner cover. Push the panel rear to detach whole front panel.



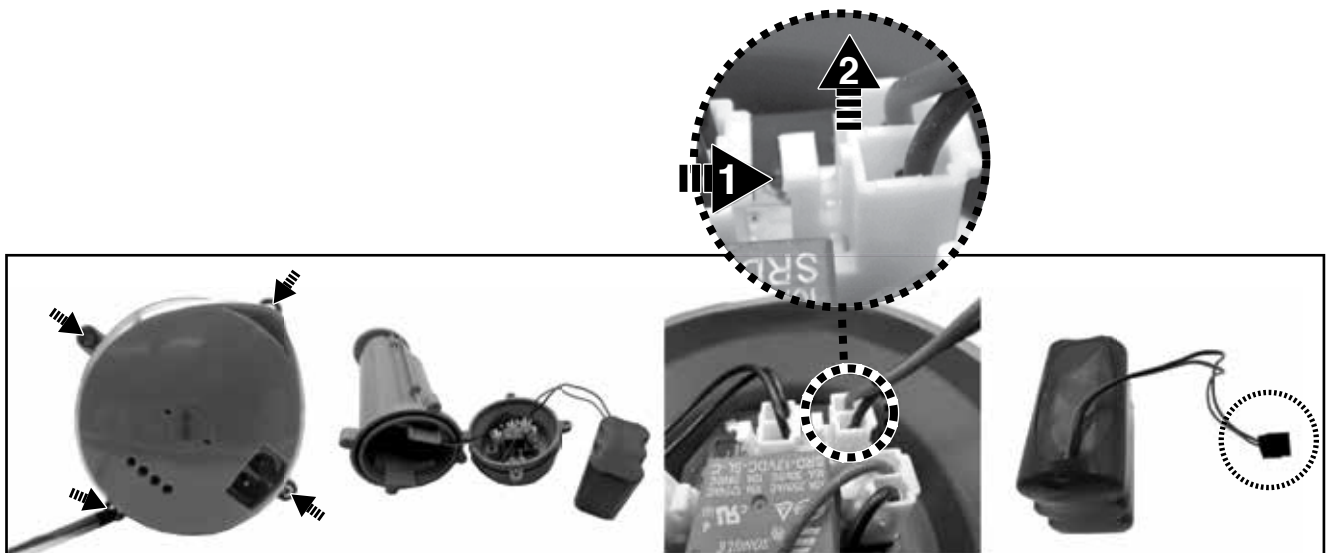
4) Use flat screwdriver to pry along the seam to detach both side cover.





5) Unfasten the screws on the front and side as shown. Detach the body halves to expose the operational unit.



6) Unfasten the screws and open the cap. Pull out the battery and locate its wire connector. Press the clip of the wire connector and detach it. **NOTE:** Wrap the wire connector of the battery immediately with insulating tape in order to avoid short circuit caused by contact of both wire terminals.



# TROUBLESHOOTING

Problem	Possible Cause	Solution
Pool vacuum does not capture debris / fine particles	Battery is running out	Charge the battery again.
	Impeller is jammed	Power off the pool vacuum and visually check the gap in the middle of the pool vacuum to see if the impeller is jammed by large debris. If possible, use a small tool to remove the debris carefully. If necessary, contact your dealer for further instructions. <b>WARNING!</b> Make sure the pool vacuum is powered off when the unit is being serviced.
	Impeller is broken	Contact your dealer for impeller replacement.
	Canister is full	Empty the canister.
	Filter cone is clogged by fine particles	Clean the filter net. If brushing is deemed necessary, use only a soft brush to clean the filter cone gently and carefully.
	Cartridge filter is full	Follow cleaning instruction to clean the cartridge.
Debris escapes from the canister	Suction nozzle flap is broken	Suction nozzle flap works like a door to prevent debris from escaping from the canister. Replace a new nozzle flap.
Debris goes inside the filter cone	Filter cone is damaged	Replace with a new filter cone.
Fine debris escapes from the cleaner	Cartridge filter is broken	Replace a new cartridge filter.
Telescopic pole connector / curved handle cannot be secured in assembly	Side pin on pole connector / handle is broken	Replace with a new pole connector/handle.
Pool vacuum cannot be charged / recharged	Battery is damaged	Contact dealer for battery replacement. <b>WARNING!</b> DO NOT open the pool vacuum and replace the battery by yourself. This could result in severe or fatal injury and the warranty will be voided as a result.
	Charging plug is not correctly connected to external adaptor and pool vacuum	Refer to instruction manual and connect the charging accessories correctly.
	External adaptor damaged	Contact dealer for replacement. <b>WARNING!</b> Using the wrong external adaptor will result in damaging the pool vacuum / battery and voiding the warranty as a result.
Pool vacuum does not move smoothly	Wheel is jammed	Clean out the debris from the wheel.
Charging time is longer than advertised	Stained charging pins	The stains can be removed by using a cotton bud soaked with juice of lemon or vinegar to clean the areas around the charging pins.
Operation time is shorter as expected	Battery is not fully charged	Charge the pool vacuum for at least 6 hrs. NOTE: if any stains are found on the charging pins, remove them by using a cotton bud soaked with lemon juice or vinegar.
<b>Environmental Programmes, WEEE European Directive</b>		
	Please respect the European Union regulations and help to protect the environment. Return non-working electrical equipment to a facility appointed by your municipality that properly recycles electrical and electronic equipment. Do not dispose them in unsorted waste bins. For items containing removable batteries, remove batteries before disposing of the product.	
	All rights reserved. No part of this document may be reproduced or transmitted in any form or by any means, electronic, mechanical, photocopying, recording, or otherwise, without prior written permission of Kokido Development Ltd. (L-23011001)	

If soft copy of this instruction manual is required, please contact our customer service by email: [customerservice@kokido.com](mailto:customerservice@kokido.com)

## SAVE THESE INSTRUCTIONS

**Remarque: Selon le modèle que vous possédez, les accessoires/pièces indiqués dans ce manuel ne sont pas nécessairement inclus.**


Les produits/pièces figurant sur les photos/dessins peuvent varier en fonction du modèle acheté. Consultez le diagramme des pièces détachées pour connaître les pièces incluses dans le modèle que vous avez acheté.

## **AVERTISSEMENTS DE SÉCURITÉ ET INSTRUCTIONS**

Les informations contenues dans ce manuel d'instructions vous permettront d'utiliser l'appareil en toute sécurité, à vous protéger ainsi que les autres et à éviter d'endommager l'appareil ou d'autres biens.

### **CONSERVER CE MANUEL**

#### **AVERTISSEMENT!**

- Ceci n'est pas un JOUET. Les enfants doivent être maintenus hors de la portée de cet aspirateur de piscine et de ses accessoires.
- Ne jamais permettre aux enfants de faire fonctionner ce aspirateur de piscine.
- Ce dispositif n'est pas destiné à être utilisé par des personnes ayant des capacités physiques, sensorielles ou mentales diminuées, ou un manque d'expérience et de connaissances, sauf si elles sont sous supervision ou ont reçu des instructions concernant l'utilisation sûre de l'appareil par une personne responsable de leur sécurité.
- Les enfants ne doivent pas jouer avec ce aspirateur de piscine.
- Le nettoyage et l'entretien du aspirateur de piscine ne doit pas être effectués par des enfants.
- Assurez-vous que l'aspirateur de piscine est totalement immergé dans la piscine avant de commencer l'opération. L'appareil doit être complètement immergé dans l'eau afin de fonctionner correctement. Faire fonctionner l'aspirateur de piscine lorsqu'il n'est pas immergé correctement pourrait endommager l'unité et annuler la garantie.
- La profondeur maximale de fonctionnement dans l'eau est de 3 mètres (9.8 pieds).
- Température maximale de l'eau: 5°C – 42°C.
-  Unité d'alimentation détachable (transformateur).
- Pour recharger la batterie, utilisez uniquement l'unité d'alimentation amovible (adaptateur externe) et prise de chargement fournie avec ce produit
- À l'effet de recharger la batterie, utiliser seulement l'unité d'alimentation amovible qui est fourni avec cet aspirateur de piscine pour charger la batterie.
- Connecter le transformateur à une source d'alimentation par l'intermédiaire d'un dispositif différentiel à courant résiduel (DDR) ou d'un disjoncteur de fuite à la terre (GFCI). En cas de doute, consultez un électricien professionnel qualifié.
- Ne pas utiliser cet aspirateur de piscine si un dommage quelconque est détecté.
- Remplacer les pièces endommagées avec des pièces certifiées par le distributeur ou le fabricant.

- Mettre hors tension, débrancher l'adaptateur externe de la source d'alimentation, et débrancher l'adaptateur externe de la prise de chargement avant de séparer l'aspirateur de piscine de la prise de chargement.
- Débrancher l'aspirateur de piscine du réseau d'alimentation et s'assurer que l'aspirateur de piscine est hors tension avant d'effectuer l'entretien régulier – tel que le nettoyage du filtre et des broches de chargement.
- Ne remplacez pas la batterie rechargeable Li-ion pré-installée.
- NE manipulez PAS le aspirateur de piscine, l'adaptateur externe et la prise de chargement pendant la charge avec des membres mouillés et sans chaussures..
- Veillez à ce que les enfants n'essaient pas d'accéder à l'aspirateur de piscine pendant son fonctionnement.
- Ne pas utiliser cet aspirateur de piscine sans une cône filtrant intact en place, car votre garantie serait annulée de ce fait.
- Danger de piégeage de l'aspiration : Cet aspirateur de piscine produit une aspiration. Ne pas permettre que les cheveux, le corps, ou toutes parties lâches de vos vêtements entrent en contact avec l'orifice d'aspiration de l'aspirateur de piscine pendant son fonctionnement.
- Ne jamais introduire des parties du corps, vêtements ou autres objets dans les ouvertures et pièces mobiles de l'aspirateur de piscine.
- NE PAS utiliser cet aspirateur de piscine pour ramasser des substances toxiques, inflammables ou liquide combustibles (comme de l'essence), ni en présence de vapeurs explosives ou inflammables.
- En aucun cas, vous ne devrez tenter de démonter l'aspirateur de piscine et de remplacer la turbine, le moteur, et la batterie de par vous-même.
- Ne jamais insérer les doigts ou un quelconque objet dans la turbine.
- La batterie intégrée doit être retirée par un technicien qualifié avant d'être mise au rebut.
- Cet aspirateur de piscine contient une batterie qui ne peut être retirée que par des personnes qualifiées.
- L'aspirateur de piscine doit être déconnecté du réseau d'alimentation lors du retrait de la batterie.
- Pour plus de détails sur la mise au rebut de la batterie veuillez vous reporter à la section "MISE AU REBUT DE LA BATTERIE" de ce manuel et contactez les autorités locales pour plus d'informations.
- La batterie doit être détruite en toute sécurité conformément aux réglementations locales.
- Adaptateur externe et prise de chargement :
  - Ne jamais utiliser l'adaptateur externe et la prise de chargement pour tout autre chose que le chargement de la batterie de l'aspirateur de piscine qui est fournie dans le même bloc.
  - L'adaptateur externe et la prise de chargement ne doivent pas être utilisés à l'extérieur, ni exposés à la pluie, à l'humidité et à tout liquide ou chaleur.
  - Le transformateur (ou le transformateur) doit être situé à l'extérieur de la zone 1.



- Maintenir l'adaptateur externe et la prise de chargement hors de la portée des enfants.
- Ne jamais utiliser l'adaptateur externe et la prise de chargement si un dommage quelconque est détecté.
- NE PAS manipuler l'adaptateur externe et la prise de chargement avec des mains humides.
- NE PAS manipuler l'aspirateur de piscine, l'adaptateur externe, et la prise de chargement pendant la charge avec des mains humides et sans chaussures.
- Maintenir l'adaptateur externe débranché du courant lorsqu'il n'est pas utilisé.
- Ne jamais tenter d'ouvrir l'adaptateur externe et la prise de chargement.
- Si le cordon d'alimentation de l'adaptateur externe est endommagé, cet adaptateur externe doit être remplacé par le fabricant ou son agent de service pour empêcher des dangers de toute nature.
- S'assurer que l'aspirateur de piscine et la prise de chargement sont complètement secs avant de charger.

#### MISE EN GARDE!

- Cet aspirateur de piscine est uniquement conçu pour une utilisation sous l'eau ; il ne s'agit pas d'un aspirateur tout usage. NE PAS tenter de l'utiliser pour nettoyer tout autre chose que votre piscine / spa.
- Utiliser uniquement les accessoires originaux livrés avec ce produit.
- Ne pas utiliser cet aspirateur de piscine juste après le nettoyage chimique de la piscine. Il est recommandé de laisser circuler l'eau dans la piscine durant au moins 24-48 heures.
- Pour les piscines d'eau salée, s'assurer que tout le sel est dissous avant de placer le aspirateur de piscine dans l'eau.
- Ne pas utiliser cet aspirateur de piscine avec un autre aspirateur / nettoyeur électrique simultanément.
- Éviter de ramasser des objets durs ou pointus avec ce aspirateur de piscine. Ils peuvent endommager l'aspirateur de piscine et le filtre.
- Prendre des précautions lors du nettoyage des marches de la piscine.
- Pour éviter d'endommager l'adaptateur externe et la prise de chargement, ne tentez pas de porter l'aspirateur de piscine par le cordon de l'adaptateur externe / prise de chargement et ne tirez pas sur le cordon pour le débrancher de la source d'alimentation et de la prise de chargement.
- Charger l'aspirateur de piscine à l'intérieur dans une zone propre et sèche avec une bonne aération et une température ambiante entre 5°C et 30°C.
- NE PAS laisser l'aspirateur de piscine chargé pendant plus de 10 heures.
- Si l'aspirateur de piscine n'est pas utilisé pendant une longue période de temps, le séparer de la prise de chargement et utiliser un chiffon humide pour nettoyer et sécher l'aspirateur de piscine et ses accessoires. S'assurer de recharger l'aspirateur électrique à 30%- 50% avant de le stocker. Le ranger dans une zone bien aérée éloignée de la lumière solaire, de la chaleur, des sources d'ignition, des produits chimiques pour la piscine et des enfants. Ne jamais laisser l'aspirateur de piscine branché pour un stockage à long terme. Recharger l'aspirateur de piscine tous les trois mois.

**Les avertissements et mises en garde ci-dessus ne prétendent pas inclure tous les possibles cas de risques et / ou de blessures graves.** Les propriétaires de piscine / spas doivent toujours prendre des précautions supplémentaires et utiliser leur bon sens lorsqu'ils utilisent le produit.



# DÉBUT DES OPÉRATIONS

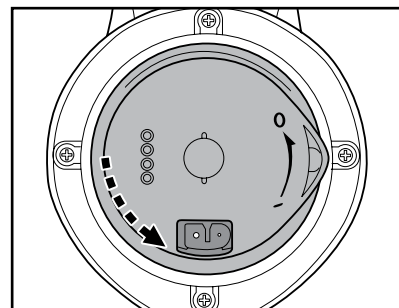
## Chargement de la batterie

REMARQUE IMPORTANTE: Charger complètement l'aspirateur de piscine (environ 6 heures) avant la première utilisation.

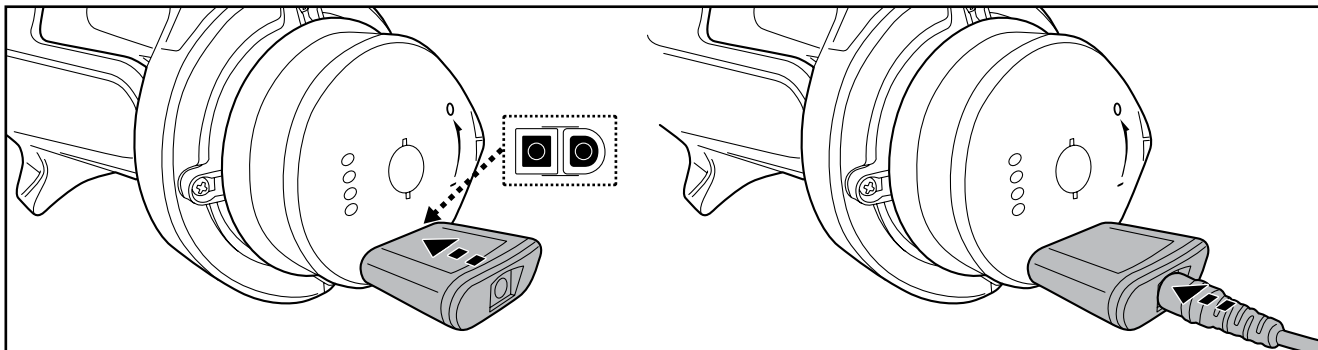
### AVERTISSEMENT!

- Utiliser uniquement le transformateur et la prise de chargement fournis.
- Assurez-vous que le aspirateur de piscine et le port de charge soient propres et secs avant la charge. (CONSEILS: utilisez un coton-tige pour le sécher ainsi que les broches de charge)
- Le chargement doit être effectué à l'intérieur, dans une zone bien aérée éloignée de la lumière solaire, des enfants, de la chaleur, des sources d'ignition, et avec une température ambiante entre 5° C et 30°C.
- Ne jamais utiliser l'adaptateur externe et la prise de chargement si un dommage quelconque est détecté.
- Les broches de chargement sont étanches. Cependant, l'eau stagnante dans le port et autour des broches pourraient entraîner l'apparition naturelle de taches (un sous-produit de la réaction chimique entre l'eau et les courants électriques). Les taches peuvent être éliminées en frottant légèrement avec un coton-tige imbibé de jus de citron ou de vinaigre.
- S'assurer que l'aspirateur de piscine est hors tension avant de le charger.

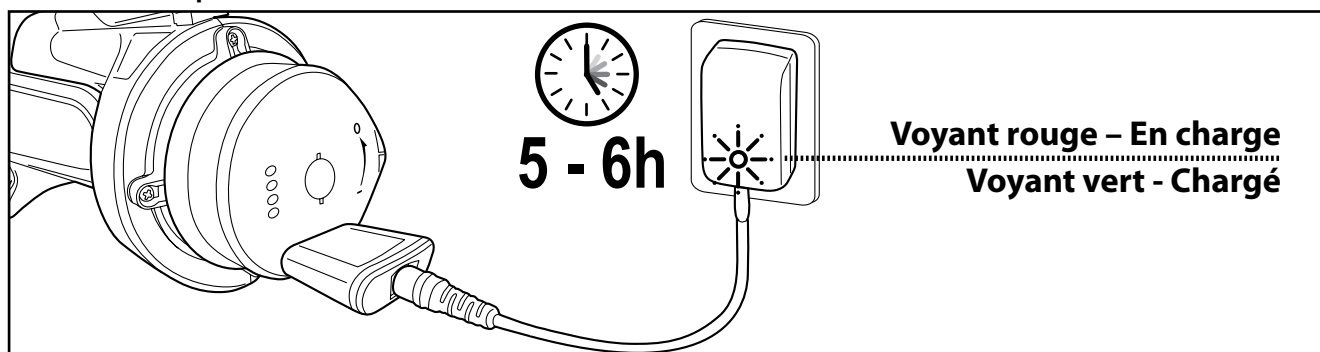
1. Placez l'appareil sur une surface plane. Réglez l'appareil en mode hors tension / en mode de charge en tournant le bouton dans le sens inverse des aiguilles d'une montre jusqu'à ce qu'il s'enclenche et expose complètement le port de charge.



2. Alignez et fixez la prise de charge au port de charge. **AVERTISSEMENT!** Veillez à ne pas inverser la prise de charge et assurez-vous que la prise de charge et le port de charge soient propres et secs avant de les brancher. Conseils: Pour sécher le port de charge et les broches, utilisez du coton-tige. Branchez le câble de charge de l'adaptateur externe dans la prise de charge.



3. Connectez l'adaptateur externe à la source d'alimentation. Le voyant de l'adaptateur externe devient rouge lorsque l'aspirateur est en charge et vert lorsqu'il est complètement chargé. Chargez-le pendant 5-6 heures pour de meilleures performances.



REMARQUE : si le moteur fait du bruit, éteignez l'appareil en plaçant l'interrupteur sur la position Arrêt/Mode chargement.

- Déconnecter immédiatement le transformateur de la source d'alimentation en cas de:
  - Odeur forte ou inhabituelle
  - Chaleur excessive
  - Déformation, fissure ou fuite
  - Fumée

4. Lorsque la charge est terminée, déconnecter l'adaptateur de la source d'alimentation et débrancher la prise de chargement du transformateur.

Normalement l'aspirateur de piscine peut fonctionner jusqu'à 75 minutes avec une charge complète (chargement pendant environ 5-6 heures).

REMARQUES: Nettoyez régulièrement le filtre à cartouche /cône filtrant. Des débris excessifs à l'intérieur de cette filtre à cartouche /cône filtrant augmentent l'effort de fonctionnement du moteur et raccourcissent ainsi la durée de fonctionnement.

**FAIT** : La batterie au lithium rechargeable est classée comme un article consommable. Elle a une durée de vie limitée et elle perdra progressivement sa capacité de maintenir une charge. Par conséquent, le temps de fonctionnement de l'aspirateur de piscine se réduira progressivement à travers un chargement et déchargement répétés en fonctionnement.

Une fois que la durée de vie de la batterie arrive à sa fin, consulter la section « MISE AU REBUT DE LA BATTERIE » pour connaître les instructions relatives à la mise au rebut de la batterie

**NOTE** : Laisser l'aspirateur de piscine au repos pendant environ 30 à 40 minutes avant de le recharger.

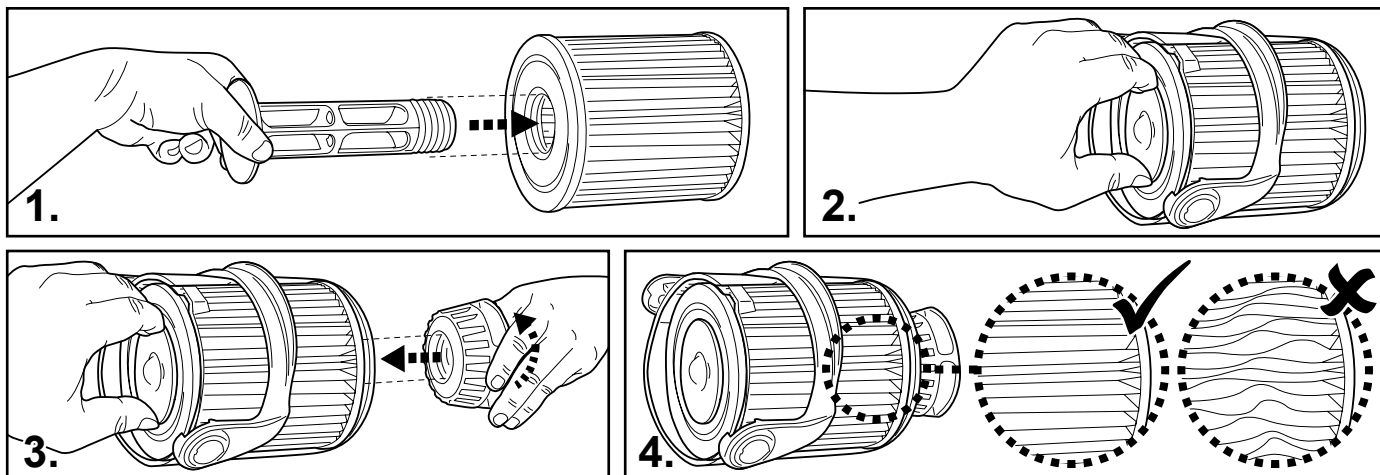
## Réglage avant l'utilisation

Cet aspirateur de piscine est équipé d'un cône filtrant pour le nettoyage des débris généraux tels que les feuilles et les plus grosses particules sur le fond de la piscine. Il est également muni d'un filtre à cartouche supplémentaire et d'un adaptateur pour tuyau d'arrosage pour le nettoyage des débris fins, du limon et du flocculant.

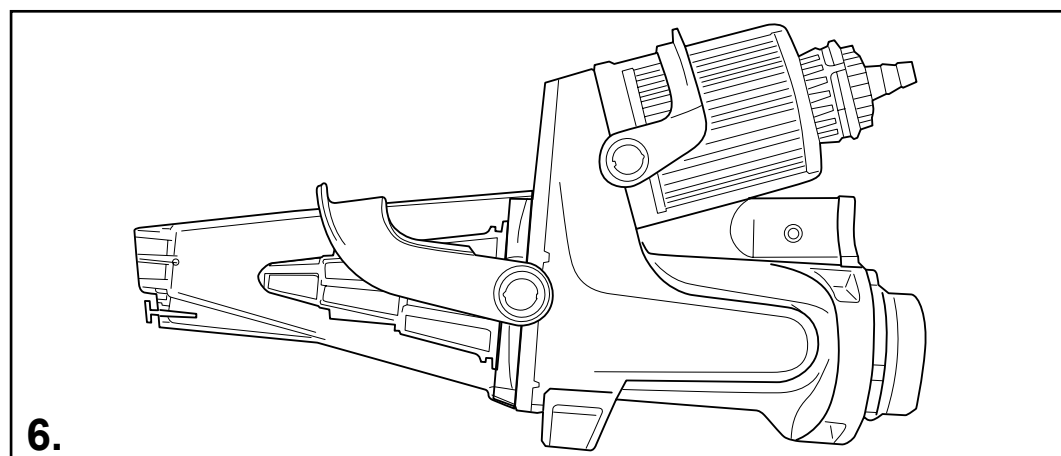
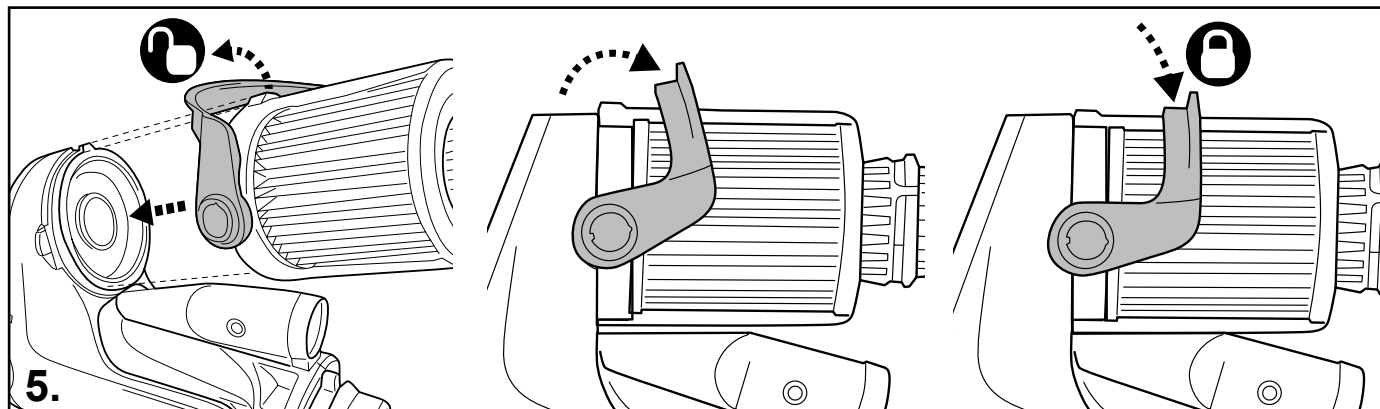
### Configuration de la fonction LEAF-OUT™ et SAND-OUT™

#### Nettoyage des débris fins (avec filtre à cartouche)

Destinée à ramasser les débris fins (feuilles, sable, poussière fine, etc.)



AVERTISSEMENT : Ne pas trop serrer la valve fileté.



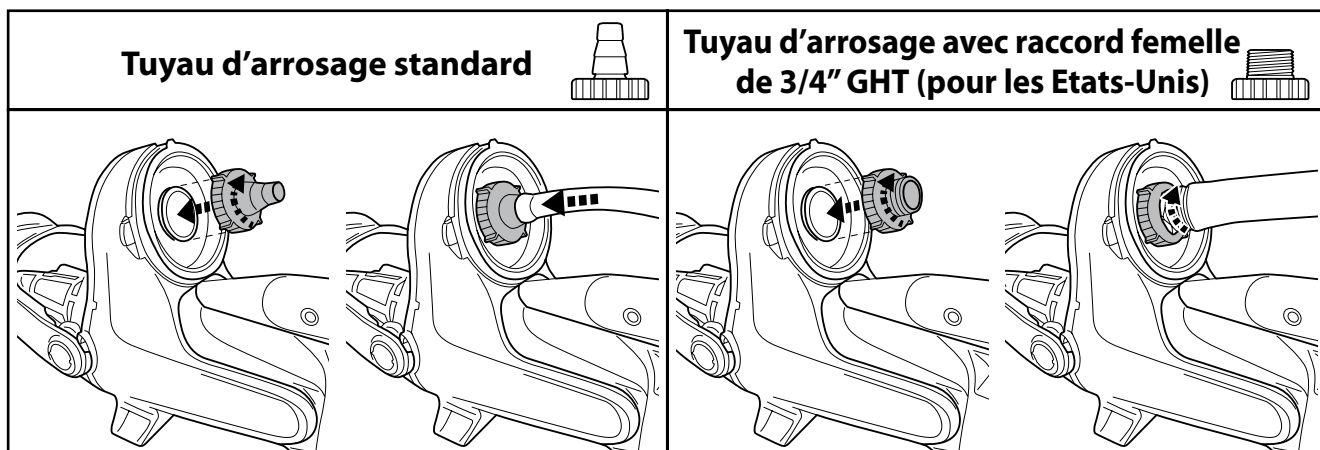
## Configuration de la fonction FLOC-OUT™

### Nettoyage du floculant et du limon

(N'utilisez cette configuration que pour le nettoyage du floculant et du limon. N'utilisez PAS le filtre à cartouche pour nettoyer le floculant et le limon, car cela colmaterait la cartouche et réduirait sa durée de vie).

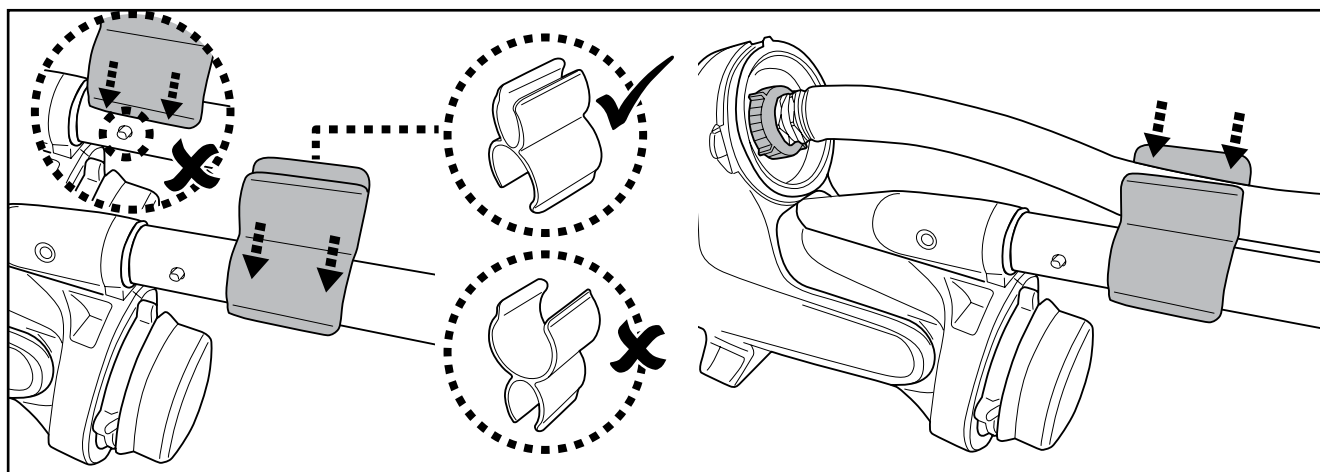
#### 1. Raccordez le tuyau d'arrosage.

Vous aurez besoin d'un tuyau d'arrosage (non fourni) d'une longueur au moins égale à la distance entre le point de nettoyage le plus éloigné de votre piscine et le point d'évacuation de l'eau.



#### 2. Assemblez la manche télescopique en suivant les instructions de ce manuel.

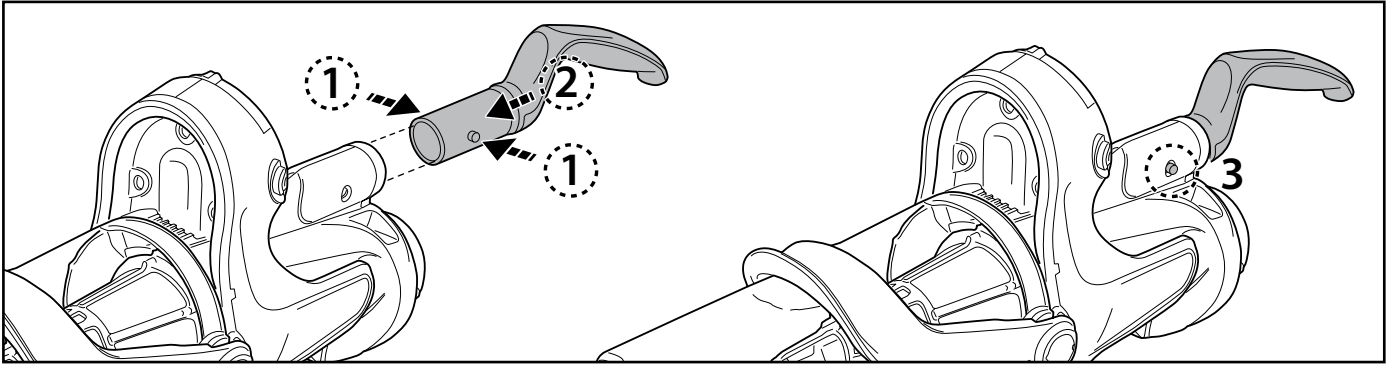
#### 3. Alignez le tuyau sur la manche.



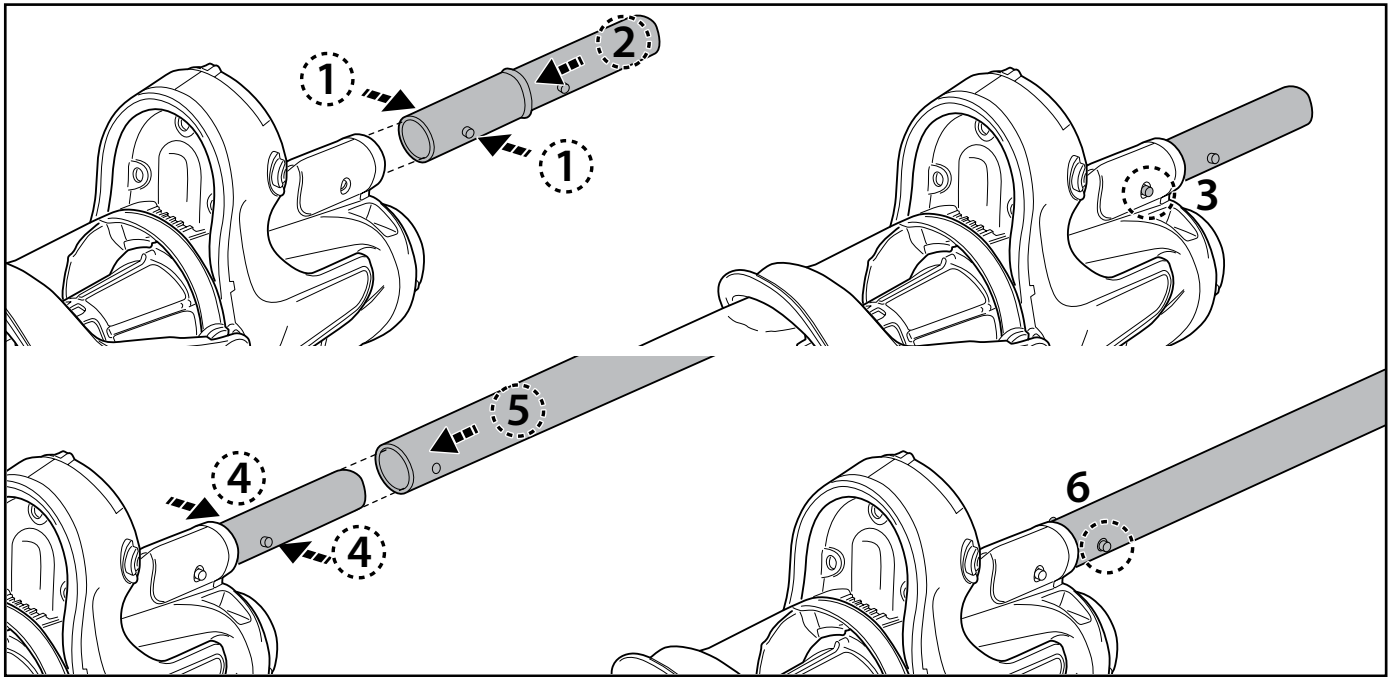
#### CONSEILS:

- Pour éviter que le floculant ne flotte et ne coule au fond de la piscine, il est conseillé d'arrêter la pompe avant le nettoyage.
- Pour enlever le floculant au fond de la piscine, vous devez utiliser la tête fournie avec l'aspirateur de piscine et enlever la brosse sur le côté/coin de la tête d'aspiration.
- Pendant le nettoyage, il est important de travailler soigneusement et doucement pour éviter de remuer le floculant et les débris. Vous devrez faire une pause et attendre qu'ils se déposent à nouveau.
- Plusieurs passages d'aspirateur peuvent être nécessaires pour éliminer tous les floculants et les débris. Après le premier passage, laissez les débris se déposer à nouveau et répétez le processus pour obtenir plus d'eau propre.

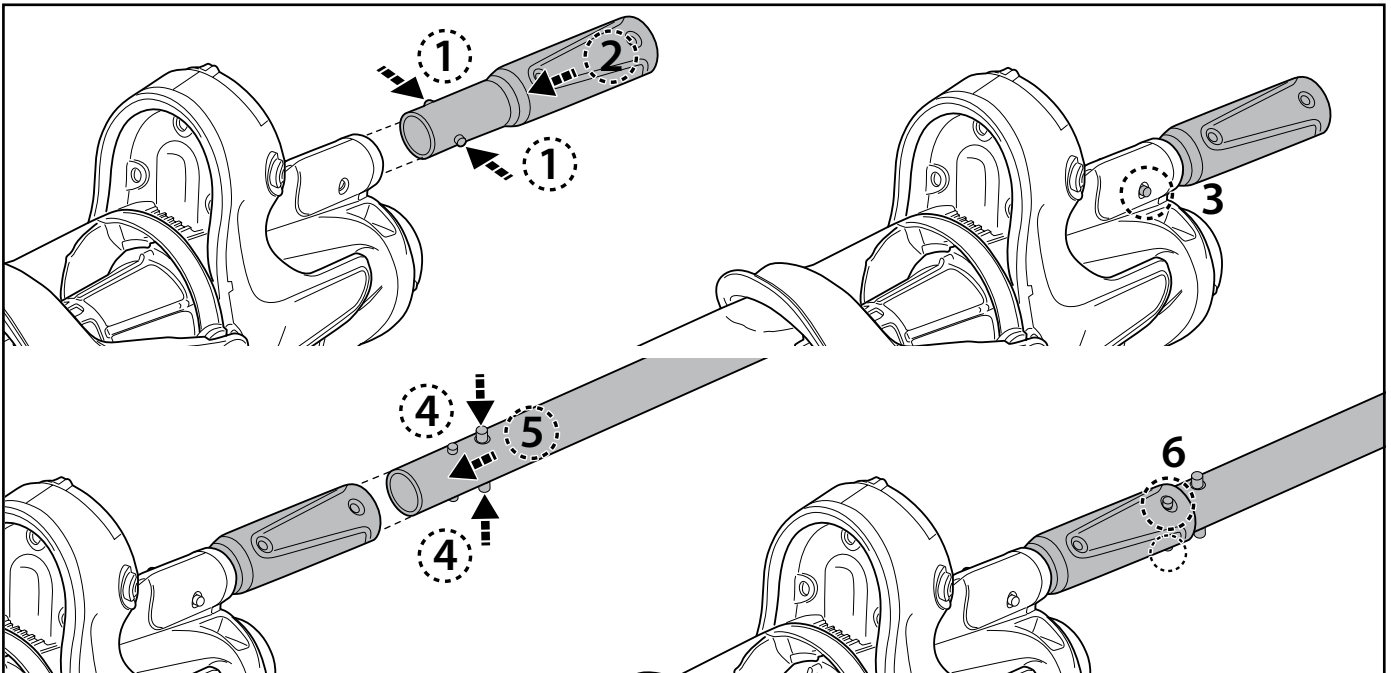
### Montage de la poignée courbée



### Montage du manche télescopique (non inclus) (Uniquement pour l'USA / EU)



### Montage du manche télescopique spécifique (non inclus) (Uniquement pour l'Australie / Nouvelle-Zélande)



## ***Préparation de la piscine***

- S'il y a des cailloux, des racines ou de déchets métalliques sur le liner, les retirer avant utilisation. Si nécessaire, demander l'aide d'un professionnel qualifié.
- Si le liner est friable, endommagé ou froissé, contacter un professionnel qualifié pour effectuer les réparations nécessaires ou effectuer un remplacement du liner avant utilisation de l'aspirateur de piscine.
- Pour les piscines d'eau salée, s'assurer que tout le sel est dissous avant de placer l'aspirateur de piscine dans l'eau.

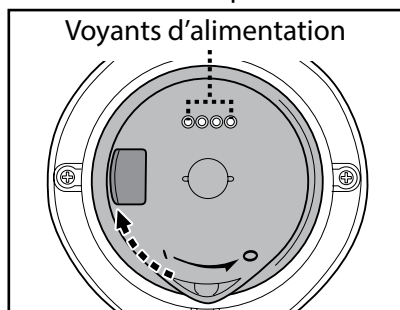
## **FONCTIONNEMENT**

### **AVERTISSEMENT!**

- S'assurer d'éteindre l'aspirateur de piscine avant de commencer.
- Ne pas utiliser l'aspirateur de piscine si un dommage quelconque est détecté.
- Une tache d'huile peut se produire qui serait due à une fuite possible des lubrifiants appliqués au joint torique.
- S'assurer que l'aspirateur de piscine est totalement immergé dans la piscine avant de commencer l'opération. Le niveau d'eau minimum exigé pour faire fonctionner l'aspirateur de piscine doit dépasser l'interrupteur Marche / Arrêt de l'aspirateur de piscine lorsqu'il est maintenu en position verticale. Faire fonctionner l'aspirateur de piscine lorsqu'il n'est pas immergé correctement pourrait endommager l'unité et annuler la garantie.
- Ne pas utiliser l'aspirateur de piscine sans un cône filtrant intact en place. L'utilisation de votre aspirateur de piscine sans un cône filtrant intact en place ANNULERA votre garantie.
- NE PAS laisser l'aspirateur de piscine dans l'eau lorsqu'il n'est pas utilisé.
- Assurez-vous que la prise de chargement est débranchée de charge soit mise avant l'utilisation du aspirateur de piscine.



- 1) Amener votre aspirateur de piscine sur le bord de votre piscine/spa. Immerger l'aspirateur de piscine dans l'eau et tourner l'interrupteur de courant Marche/Arrêt sur la position (MARCHE) pour commencer l'opération.

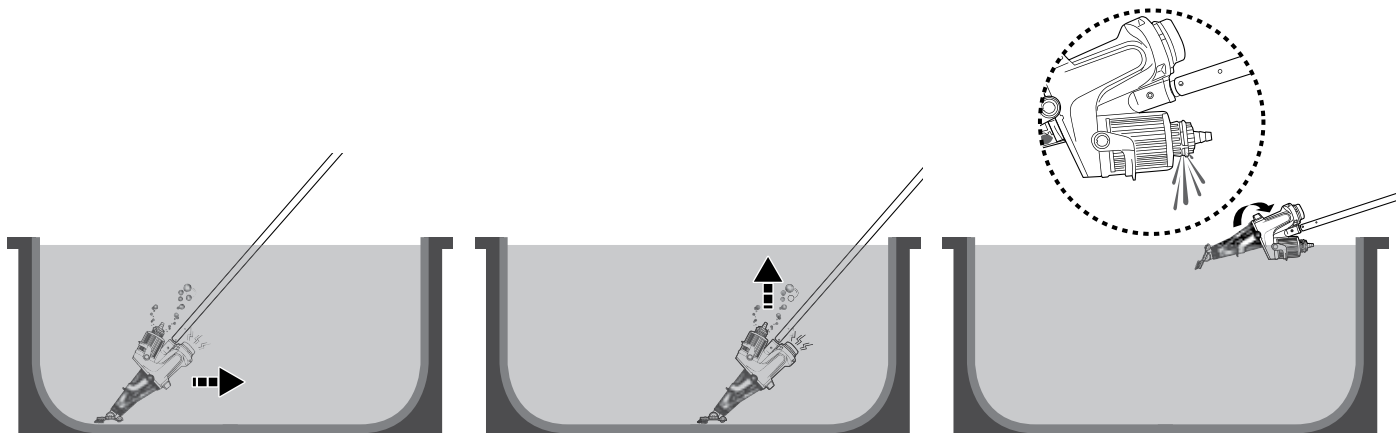


Voyants d'alimentation:

	4 voyants allumés	Jusqu'à 75 minutes d'utilisation restant.
	Le dernier voyant clignote	10-15 minutes d'utilisation restant quand le dernier voyant commence à clignoter.

**MISE EN GARDE !** S'assurer que l'aspirateur de piscine est toujours tourné vers le bas lorsqu'il est placé dans la piscine. Dans le cas contraire, il peut courber le connecteur du manche et l'endommager durant le processus.

- 2) Pour retirer l'aspirateur de la piscine / spa, retourner l'aspirateur de piscine, faire monter l'aspirateur de piscine tout en l'orientant vers le bas. L'eau va s'échapper par le manche, la soupape d'évacuation sur le couvercle et le fond de l'aspirateur. Tournez l'aspirateur de manière que la soupape d'évacuation soit orientée vers la piscine pour évacuer l'eau.



**MISE EN GARDE !** S'assurer que l'aspirateur de piscine est toujours orienté vers le bas lorsqu'il est retiré de la piscine. Dans le cas contraire, le connecteur du manche peut être courbé et endommager l'aspirateur de piscine dans le processus.

- 3) Rincer l'aspirateur de piscine à l'eau fraîche après chaque utilisation. N'utiliser aucun détergent.

## NETTOYER LE FILTRE

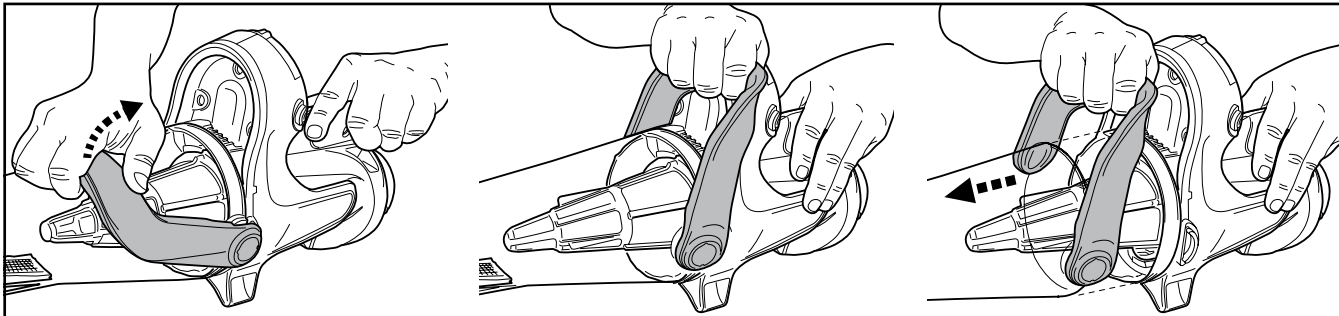
**AVERTISSEMENT!** L'utilisation de l'aspirateur de piscine sans une cône filtrant en place ANNULERA votre garantie.

Afin de maximiser l'efficacité du nettoyage, assurez-vous de nettoyer le filtre à cartouche /cône filtrant avant et après chaque utilisation.

**MISE EN GARDE !** Si l'aspirateur de piscine est en charge, débrancher l'adaptateur externe de la source d'alimentation et séparer l'aspirateur de piscine de la prise de chargement. S'assurer d'éteindre l'aspirateur de piscine avant de commencer.

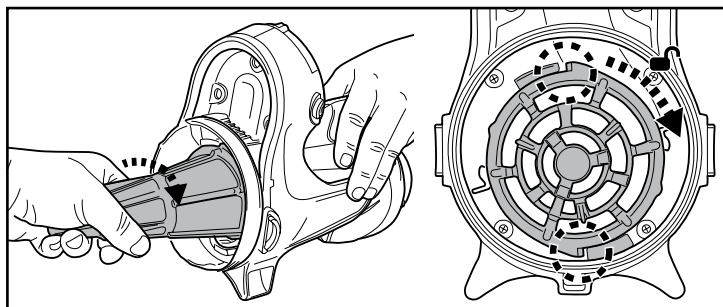
### • Nettoyer le cône filtrant

- 1) Placer l'aspirateur de piscine sur une surface stable.
- 2) Tenez l'aspirateur de piscine et faites pression sur le levier du couvercle jusqu'à l'extrémité pour libérer complètement les verrous latéraux.



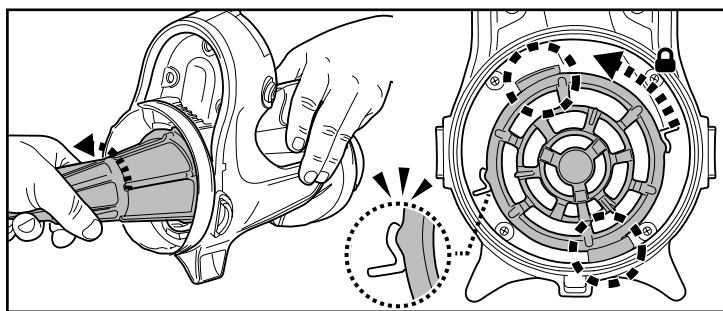
Détachez le couvercle et tournez le cône filtrant dans le sens des aiguilles d'une montre jusqu'à ce que sa languette latérale sorte de l'encoche. Retirez le cône filtrant de l'aspirateur.

**MISE EN GARDE !** Remplacer immédiatement une cône filtrant endommagé par un nouveau avant la prochaine opération.

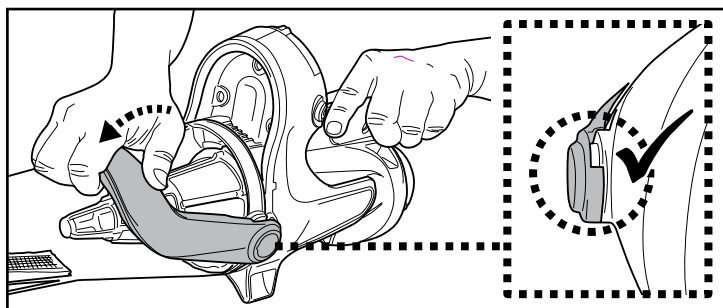


- 3) Vider les débris et rincer le cône filtrant avec de l'eau. Si brosser est nécessaire, utiliser uniquement une brosse souple pour nettoyer la cône filtrant avec précaution.

- 4) Inversez les étapes précédentes pour réassembler le cône filtrant. Tournez le cône filtrant dans le sens inverse des aiguilles d'une montre jusqu'à ce que sa languette latérale soit fixée à l'intérieur de l'encoche des deux côtés, comme illustré. Vous entendrez un « clic ».



5. Alignez et réassemblez le capot sur l'aspirateur de piscine et assurez-vous que le levier est complètement enfoncé dans le capot. Vous entendrez un « clic ».



- Nettoyer le filtre à cartouche

Suivez les instructions de la section « Réglage du filtre à cartouche » pour détacher le filtre à cartouche.

Vérifiez tout pour détecter les dommages et l'usure. Si vous trouvez des dommages ou des déchirures, il est temps de remplacer la cartouche.

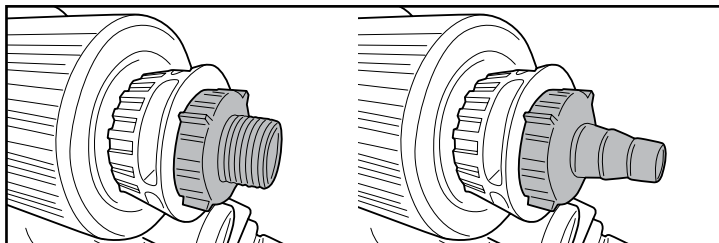
Il est recommandé de laver le filtre à cartouche avec un jet d'eau après chaque cycle de nettoyage de la piscine. Pulvérisez en biais pour éliminer les débris entre les plis de la filtre à cartouche. N'utilisez jamais de nettoyeur haute pression, car cela endommagerait les cartouches. Si la cartouche est très sale, le faire tremper dans de l'eau avec du détergent pendant 2 à 3 heures, puis le rincer au jet d'eau.

Si vous devez le brossez, utilisez uniquement une brosse douce pour le nettoyer soigneusement et délicatement afin d'éviter tout dommage.

## ENTRETIEN ET STOCKAGE

### REMARQUE:

- 1) Assurez-vous de nettoyer et de sécher les zones autour du port de charge et des broches de chargement après chaque utilisation pour éviter la formation de taches (sous-produit d'une réaction chimique naturelle entre le courant électrique et l'eau). Les taches peuvent être éliminées grâce à un coton-tige imbibé de jus de citron ou de vinaigre.
- 2) La batterie se décharge de par elle-même durant le rangement. S'assurer de recharger l'aspirateur de piscine à 30%- 50% avant de le stocker.
- 3) Vous devez recharger la batterie au moins une fois tous les trois mois lorsqu'elle n'est pas utilisée.
  - Débrancher l'adaptateur externe de la prise et débrancher ensuite le jack de l'adaptateur de la prise de chargement.
  - Séparer les accessoires de l'aspirateur de piscine. Si nécessaire, rincer l'aspirateur de piscine et les accessoires à l'eau fraîche. Ne pas utiliser de détergent.
  - S'assurer de vider l'eau du corps principal et du connecteur.
  - Utiliser un chiffon humide pour nettoyer et sécher l'aspirateur de piscine et ses accessoires.
  - Les ranger dans une zone bien aérée éloignée de la lumière solaire, de la chaleur, des sources d'ignition et des produits chimiques pour la piscine et tenir hors de portée des enfants. La température ambiante de stockage doit être de 10°C – 25°C. NOTE : Une température plus élevée peut réduire la vie de la batterie.
  - Pour mieux organiser le rangement du raccord de tuyau, visser le raccord sur la valve de la cartouche.



## AVERTISSEMENT!

- Ne jamais tenter d'une façon quelconque de démonter l'aspirateur de piscine.
- En aucun cas, vous ne devez tenter de démonter l'aspirateur de piscine et de remplacer la turbine, le moteur et la batterie par vous-même.

### MISE EN GARDE !

- La chaleur excessive peut endommager la batterie et réduire par conséquent sa durée de vie.
- Consulter un revendeur concernant le remplacement de la batterie dans les cas suivants:
  - La batterie ne se charge pas complètement.
  - La durée d'utilisation est sensiblement réduite. Observer et enregistrer les temps d'exécution des premières utilisations (sur une pleine charge). Utiliser ces temps d'exécution comme point de référence pour comparaison avec les temps d'exécution futurs.
- La batterie doit être retirée de l'aspirateur de piscine avant d'être éliminée.
- L'aspirateur de piscine doit être débranché de l'alimentation principale pendant le retrait de la batterie
- La batterie doit être éliminée sous une forme sûre et conformément aux ordonnances ou réglementations locales.

**NOTE:** Une maintenance incorrecte peut réduire la durée de vie de la batterie et affecter de ce fait sa capacité.

## **MISE AU REBUT DE LA BATTERIE** ( Ceci doit être réalisé par un technicien autorisé )

Votre aspirateur de piscine est équipé d'un bloc de batteries rechargeables au lithium libre de toute maintenance, qui doit être éliminé correctement. Son recyclage est requis ; veuillez contacter les autorités locales de votre région pour une plus ample information.

### **AVERTISSEMENT!** Ne jamais tenter de démonter un bloc de batteries.

- Retirer tous les objets personnels tels que bagues, bracelets, colliers et montres lorsque le bloc de batteries n'est pas connecté à l'aspirateur de piscine.
- Une batterie peut produire un courant de court-circuit suffisamment élevé pour souder une bague (ou un article similaire) au métal, causant ainsi une grave brûlure dans le processus.
- Porter un protecteur complet pour les yeux, des gants et des vêtements de protection lorsque le bloc de batteries est retiré.
- Éviter absolument de toucher les fils et éviter de leur permettre de faire contact avec tous objets métalliques, ce qui pourrait causer une émission d'étincelles et/ou court-circuiter la batterie.
- Ne jamais fumer ni permettre qu'une étincelle ou une flamme ne se produise dans le voisinage de la batterie ou de l'aspirateur de piscine.
- Ne pas exposer la batterie au feu ou à une chaleur intense car cela pourrait produire une explosion.

### **MISE EN GARDE !**

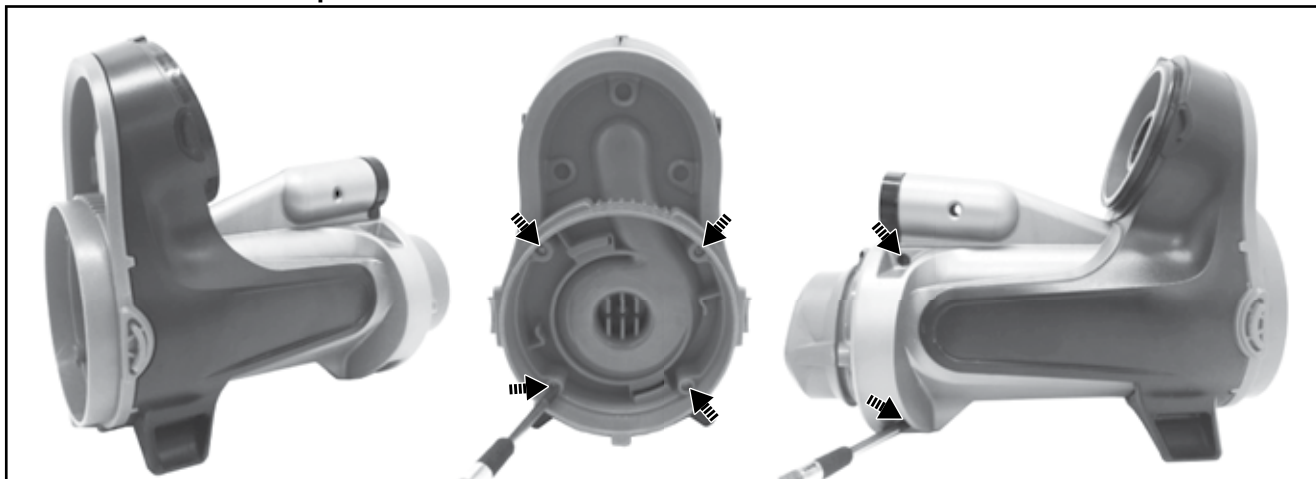
Si une fuite de la batterie se produit, éviter le contact avec les liquides de fuite et placer la batterie endommagée dans un sac en plastique.

- Si les liquides de fuite entrent en contact avec la peau et les vêtements, les laver immédiatement avec une grande quantité de savon et d'eau.
- Si les liquides de fluides entrent en contact avec les yeux, ne pas se frotter les yeux, rincer immédiatement les yeux à l'eau courante froide pendant 15 minutes au moins et ne pas les frotter. Demander une assistance médicale le plus rapidement possible.

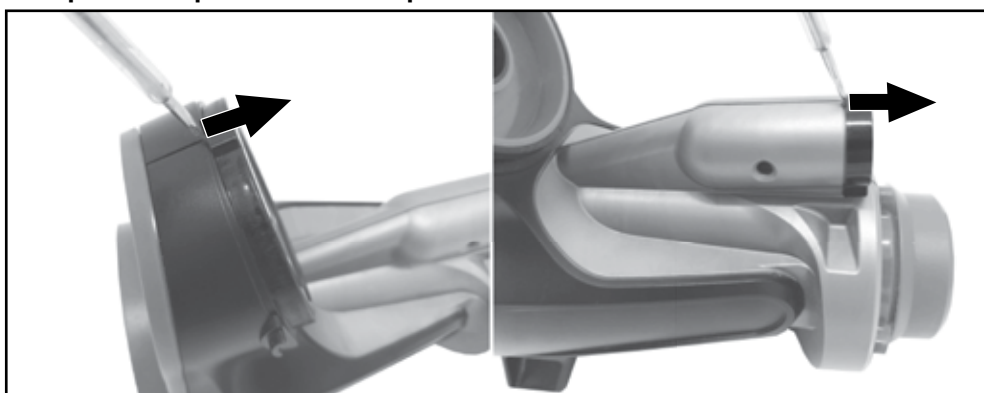
**Comment retirer le bloc de batteries uniquement à des fins de recyclage de la batterie** (Ceci doit être réalisé par un technicien autorisé)

Outils recommandés (non inclus) : Tournevis plat et cruciforme.

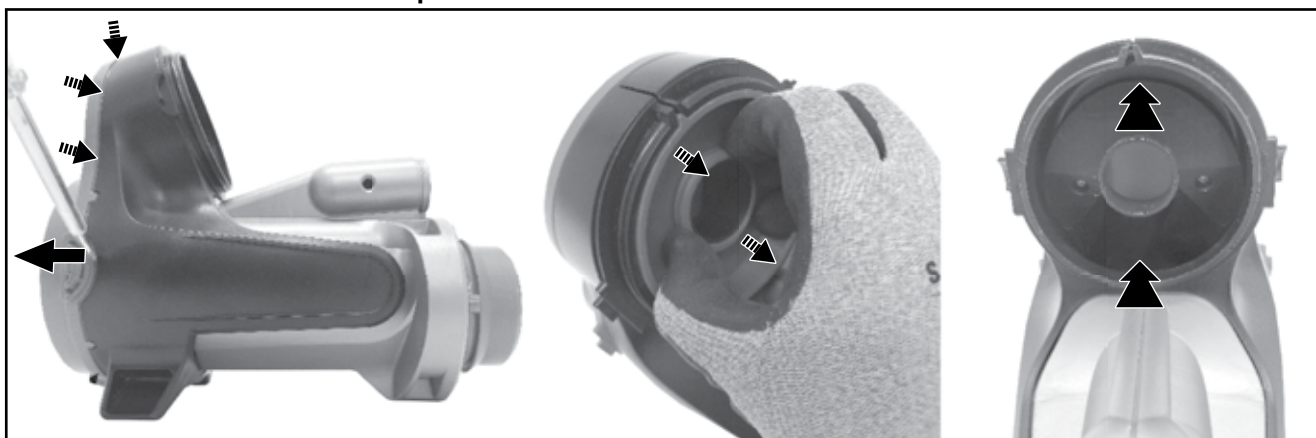
- 1) Suivez les indications ci-dessus pour détacher le couvercle et le cône filtrant. Utilisez un tournevis Philips pour desserrer les vis situées à l'avant et sur le côté, comme indiqué.



- 2) Utilisez un tournevis plat pour détacher l'anneau du haut et de l'extrémité, comme indiqué. S'il est difficile de faire levier, utilisez une paire de pinces coupantes pour les couper.

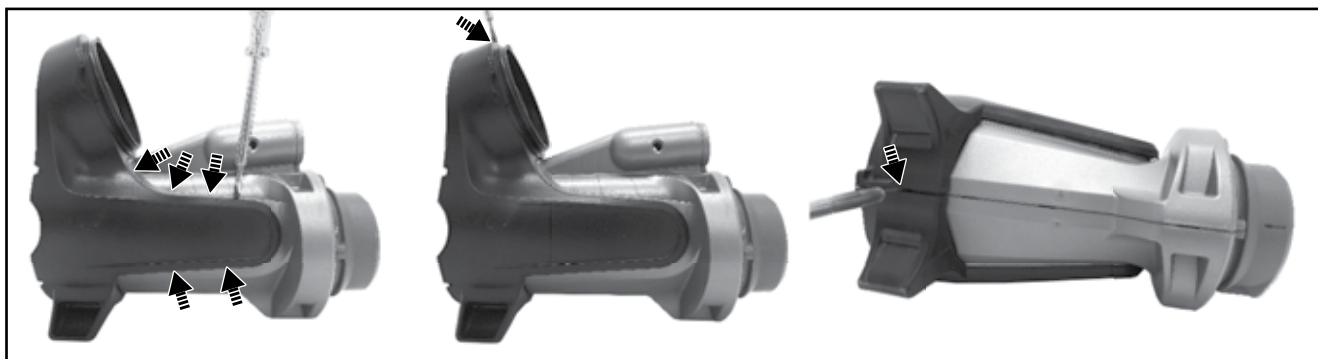


- 3) Utilisez un tournevis plat pour faire levier le long de la jointure derrière le panneau avant. Retirez le couvercle intérieur. Si nécessaire, utilisez une pince pour détacher le couvercle intérieur. Poussez le panneau vers l'arrière pour détacher l'ensemble du panneau avant.

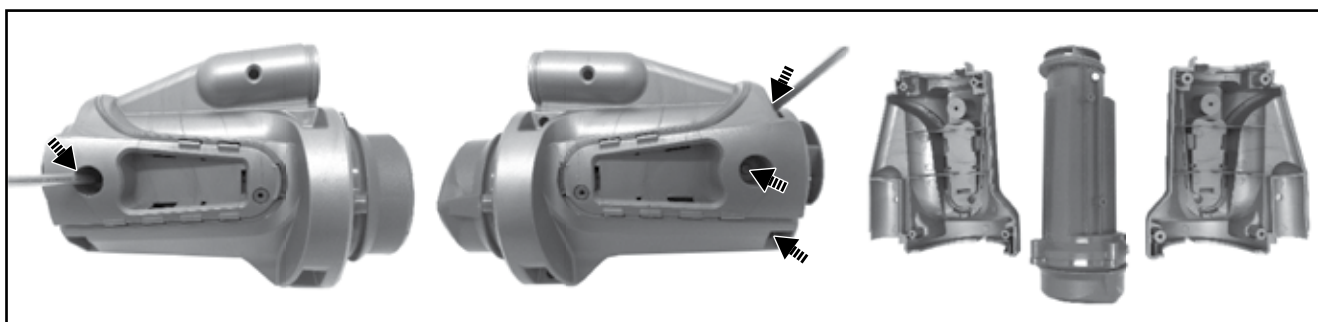




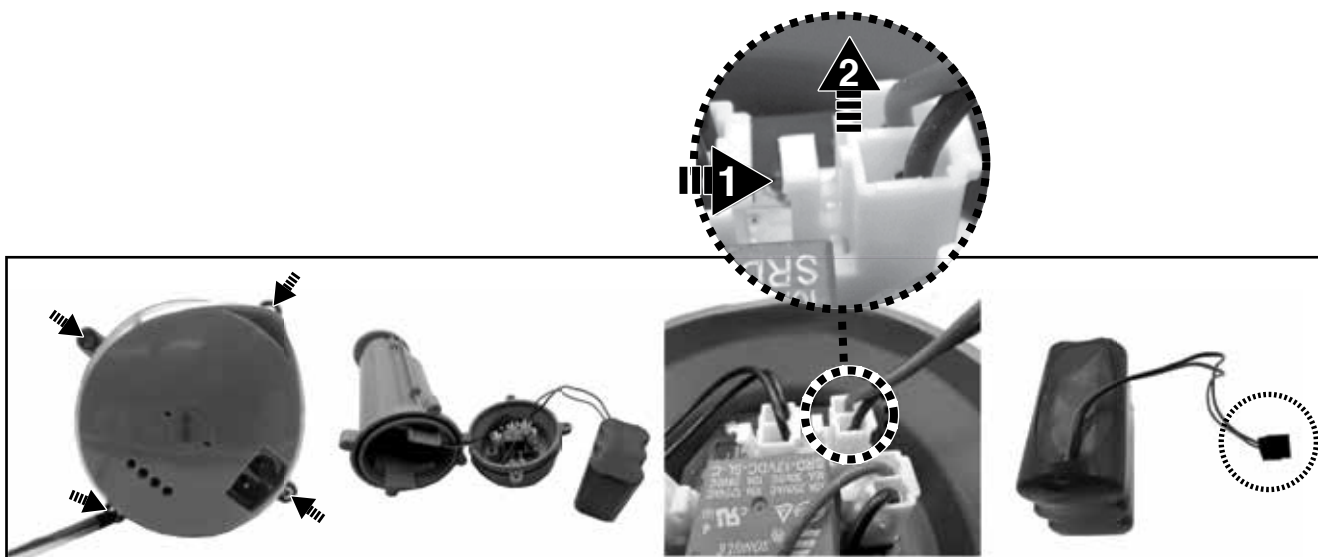
- 4) Utilisez un tournevis plat pour faire levier le long de la jointure et séparer les deux couvercles latéraux.



- 5) Dévissez les vis à l'avant et sur le côté, comme indiqué. Détachez les deux moitiés du corps pour exposer l'unité opérationnelle.



- 6) Desserrez les vis et ouvrez le capuchon. Retirez la batterie et localisez son connecteur. Appuyez sur le clip du connecteur et détachez-le. **NOTE:** Enrouler le connecteur de la batterie immédiatement avec du ruban isolant afin d'éviter tout court-circuit causé par un contact des deux bornes de fils.





# DEPANNAGE

Problème	Cause possible	Solution
L'aspirateur n'aspire pas les débris / particules fines	La batterie est déchargée	Recharger la batterie à nouveau.
	La turbine est bloquée	Éteindre l'aspirateur et vérifier visuellement que la turbine ne soit pas bloquée par de gros débris. Si possible, utiliser un petit outil afin de retirer les débris et débloquer la turbine. Si nécessaire, contactez votre concessionnaire pour des instructions supplémentaires. <b>AVERTISSEMENT!</b> S'assurer que l'aspirateur de piscine soit bien débranché lorsque l'unité est en cours d'entretien.
	La turbine est cassée	Contactez votre concessionnaire pour le remplacement de la turbine.
	Le récipient est plein	Videz le récipient.
	Le cône filtrant est obstrué par des particules fines	Nettoyez le filet filtrant. Si un brossage est jugé nécessaire, utilisez uniquement une brosse douce pour nettoyer le cône filtrant doucement et avec précaution.
	Le filtre à cartouche est plein	Suivez les instructions de nettoyage pour nettoyer la cartouche.
Les débris s'échappent du couvercle	Le rabat d'aspiration est cassé	Le rabat d'aspiration fonctionne comme une porte pour empêcher les débris de s'échapper du couvercle. Remplacez le clapet de buse par un neuf.
Les débris pénètrent dans le cône filtrant	Le cône filtrant est en mauvais état	Remplacez-le par un nouveau cône filtrant.
Des débris fins s'échappent du nettoyeur	La cartouche est cassée	Remplacez-le par un nouveau filtre à cartouche.
La connecteur du manche télescopique / poignée courbée ne peuvent pas être fixés dans le montage	La broche latérale sur la connecteur du manche / poignée courbée est cassée	Remplacer avec une nouvelle connecteur de manche / poignée courbée.
L'aspirateur de piscine ne peut pas être chargé / rechargé	La batterie est endommagée	Contactez le concessionnaire pour le remplacement de la batterie. <b>AVERTISSEMENT!</b> NE PAS ouvrir l'aspirateur de piscine et remplacer la batterie de par vous-même. Cela pourrait causer des blessures graves ou mortelles et la garantie serait annulée de ce fait.
	La prise de charge n'est pas correctement connectée à l'adaptateur externe et à l'aspirateur	Reportez-vous au manuel d'instructions afin de connectez correctement les accessoires de charge.
	L'adaptateur externe est endommagé	Contactez votre concessionnaire pour le remplacer. <b>AVERTISSEMENT!</b> L'utilisation d'un adaptateur externe incorrect donnera pour résultat l'endommagement de l'aspirateur de piscine / batterie et annulera de ce fait la garantie.
L'aspirateur de piscine ne se déplace pas en douceur	La roue est bloquée	Nettoyez les débris de la roue.
Le temps de charge est plus long que spécifié	Broches de charge tachées	Les taches peuvent être éliminées en utilisant un coton-tige imbibé de jus de citron ou de vinaigre pour nettoyer les zones autour des broches de charge.
Le temps de fonctionnement est plus court que celui espéré	La batterie n'est pas complètement chargée	Charger l'aspirateur de piscine au moins pendant 6 heures. NOTE: si des taches sont trouvées sur les broches de charge, les éliminer en utilisant un bâtonnet de coton imbibé de jus de citron ou de vinaigre.
<b>Programmes environnementaux, Directive européenne DEEE</b>		
	Veuillez respecter les réglementations de l'Union européenne et aider à protéger l'environnement. Portez les équipements électriques qui ne fonctionnent pas à une installation désignée par votre municipalité qui recycle correctement les équipements électriques et électroniques. Ne les jetez pas dans des poubelles sans triage. Pour les articles contenant des batteries démontables, retirer les batteries avant d'éliminer le produit.	
	Tous droits réservés. Aucune partie de ce document ne peut être reproduite ou transmise sous quelque forme ou par quelque moyen que ce soit, électroniques, mécaniques, photocopies, enregistrement ou de toute autre façon, sans l'autorisation écrite préalable de Kokido Development Ltd. (L-23011001)	

Si vous avez besoin d'une copie sur papier de ce manuel d'instructions, veuillez contacter notre service clientèle par email : [customerservice@kokido.com](mailto:customerservice@kokido.com)

## CONSERVEZ CES INSTRUCTIONS


**Observación:** Según el modelo que posea, los accesorios/piezas que se muestran en este manual no se incluyen necesariamente en todos los modelos. Los productos/piezas de las fotos/dibujos pueden variar según el modelo adquirido. Consulte el gráfico de piezas de repuesto para saber cuáles piezas están incluidas en el modelo que usted ha adquirido.

## **AVISOS E INSTRUCCIONES DE SEGURIDAD**

La información contenida en este Manual de instrucciones le ayudará a operar el artículo de manera segura, protegerse a sí mismo y a los demás de peligros, y evitar daños el artículo y otras propiedades.

### **GUARDE ESTAS INSTRUCCIONES**

#### **¡ATENCIÓN!**

- Este dispositivo no es un JUGUETE. Mantenga a los niños lejos de esta aspiradora de piscina y de sus accesorios.
- Los niños no deben usar esta aspiradora de piscina.
- Este aparato no está diseñado para ser utilizado por personas con capacidades físicas, sensoriales o mentales disminuidas o faltas de experiencia y conocimiento, a menos que estén bajo supervisión o hayan recibido instrucciones para el uso del dispositivo por parte de una persona responsable de su seguridad y entiendan los peligros que entraña.
- Los niños no deben jugar con esta aspiradora de piscina.
- La limpieza y el mantenimiento de la aspiradora de piscina no deben ser realizados por niños.
- Asegúrese de que la aspiradora de piscina está totalmente sumergida en el agua antes de usarla. Como mínimo, el agua debe cubrir por completo la aspiradora de piscina para poderla poner en marcha. El uso de la aspiradora de piscina, si no está correctamente sumergida en el agua, podría dañar la unidad y anular la garantía.
- La profundidad máxima a la que se puede usar el dispositivo es de 3 metros.
- Temperatura máxima del agua: 5 °C – 42°C.
-  Unidad de alimentación desmontable (adaptador externo).
- La aspiradora de piscina únicamente debe recargarse con el adaptador externo y el enchufe de carga suministrados con este producto.
- Para recargar la batería, utilice exclusivamente la unidad de fuente de alimentación extraíble provista con la aspiradora de piscina.
- Conecte el adaptador externo a una fuente de alimentación mediante un interruptor diferencial (ID) (también conocido como RCD) / un interruptor de circuito por defecto a tierra (GFCI, por sus siglas en inglés). En caso de duda, consulte a un electricista profesional cualificado.
- No use esta aspiradora de piscina si detecta cualquier daño.
- Cambie las piezas dañadas con piezas certificadas por el distribuidor o el fabricante.

- Desactive el dispositivo, desconecte el adaptador externo de la fuente de alimentación y desenchufe el adaptador externo del enchufe de carga antes de retirar la aspiradora de piscina del enchufe de carga.
- Desconecte la aspiradora de piscina de la corriente general y asegúrese de que esté apagada antes de realizar las tareas de mantenimiento habituales, como limpiar el filtro y los pines de carga.
- NO intente cambiar la batería recargable de iones de litio preinstalada.
- NO manipule la aspiradora de piscina el adaptador externo y el enchufe de carga mientras se tenga extremidades húmedas y sin zapatos.
- Asegúrese de que los niños no intenten acceder a la aspiradora de piscina mientras está en funcionamiento.
- NO use esta aspiradora de piscina sin un filtro cónico intacto instalados, ya que de lo contrario la garantía quedará anulada.
- Peligro de atrapamiento por succión: Esta aspiradora de piscina genera succión. No permita que su pelo, cuerpo o prendas sueltas entren en contacto con el orificio de succión de la aspiradora de piscina cuando esté en funcionamiento.
- No introduzca nunca partes del cuerpo, ropa u otros objetos en las aberturas y piezas móviles de la aspiradora de piscina.
- NO use esta aspiradora de piscina para recoger sustancias líquidas tóxicas, inflamables o combustibles (como gasolina), ni en presencia de vapores explosivos o inflamables.
- No intente, bajo ninguna circunstancia, desmontar la aspiradora de piscina y sustituir el propulsor, el motor y la batería por sí mismo.
- Nunca debe introducir los dedos ni ningún objeto para tocar el propulsor.
- La extracción de la batería incorporada para su eliminación debe realizarla un técnico especializado.
- Esta aspiradora de piscina incluye una batería que solo puede ser desmontada por personal formado.
- Debe desconectar la aspiradora de piscina de la alimentación eléctrica al retirar la batería.
- Para obtener más detalles sobre la eliminación de la batería, consulte la sección "ELIMINACIÓN DE LA BATERÍA" de este manual y póngase en contacto con las autoridades locales para obtener más información.
- La batería debe desecharse de manera segura y de acuerdo con las ordenanzas o regulaciones.
- Adaptador externo y enchufe de carga:
  - Sólo debe usar el adaptador externo y el enchufe de carga para recargar la batería de la aspiradora de piscina suministrada en el mismo paquete.
  - El adaptador externo y el enchufe de carga no deben usarse en el exterior, ni deben exponerse a la lluvia, la humedad, líquidos o fuentes de calor.
  - El transformador (o adaptador externo) debe estar situado fuera de la zona 1.

- Mantenga el adaptador externo y el enchufe de carga fuera del alcance de los niños.
- Nunca debe usar el adaptador externo ni el enchufe de carga si detecta cualquier daño.
- NO coja el adaptador externo ni el enchufe de carga con las manos mojadas.
- Mientras el dispositivo se esté cargando, NO manipule la aspiradora de piscina, el adaptador externo ni el enchufe de carga, con las manos mojadas y sin zapatos.
- Mantenga el adaptador externo desconectado de la corriente eléctrica cuando no lo esté usando.
- No intente abrir el adaptador externo ni el enchufe de carga.
- Si el cable de alimentación del adaptador externo está dañado, el fabricante o su proveedor de servicios debe reemplazar el adaptador externo para prevenir cualquier posible riesgo.
- Asegúrese de que la aspiradora de piscina y el enchufe de carga están completamente secas antes de iniciar la recarga.

### ¡PRECAUCIÓN!

- Esta aspiradora de piscina sólo está diseñada para ser usada bajo el agua; no es una aspiradora de uso general. NO intente usarla para limpiar una superficie que no sea su piscina/spa.
- Sólo debe usar accesorios originales provistos junto con este producto.
- NO use esta aspiradora de piscina justo después de aplicar el tratamiento de choque a la piscina. Se recomienda dejar circular el agua de la piscina durante al menos 24-48 horas.
- Si tiene una piscina de agua salada, asegúrese de que toda la sal esté disuelta antes de introducir la aspiradora de piscina en el agua.
- NO use esta aspiradora de piscina al mismo tiempo que otra aspiradora / aspiradora eléctrica
- Evite recoger objetos duros y afilados con este dispositivo. Podrían dañar la aspiradora de piscina y el filtro.
- Tenga cuidado al limpiar las escaleras de la piscina.
- Para evitar daños en el adaptador externo y el enchufe de carga, no transporte la aspiradora de piscina por el cable del adaptador externo / enchufe de carga y no tire del cable desconectar de la fuente de alimentación y el enchufe de carga.
- Recargue la aspiradora de piscina en una zona interior limpia y seca, con buena ventilación y con una temperatura ambiente de entre 5 °C y 30°C.
- NO deje la aspiradora de piscina cargando durante más de 10 horas.
- Si no va a usar la aspiradora de piscina durante un periodo de tiempo prolongado, sepárela del enchufe de carga y use un paño húmedo para limpiar y secar la con sus accesorios. Asegúrese de cargar el limpiafondos entre el 30 % y el 50 % de la capacidad de su batería antes de guardarlo. Guárdela en una zona bien ventilada y libre de luz solar, calor, fuentes de ignición y productos químicos para piscina, fuera del alcance de los niños. No deje nunca la aspiradora de piscina conectada si va a guardarla durante un periodo de tiempo prolongado. Recargue la aspiradora de piscina cada tres meses.

**Los avisos y precauciones anteriores pueden no incluir todas posibles situaciones de riesgo y/o lesiones graves.** Los propietarios de piscina/spa deben tener siempre mucho cuidado y sentido común al utilizar el producto.

# PRIMEROS PASOS

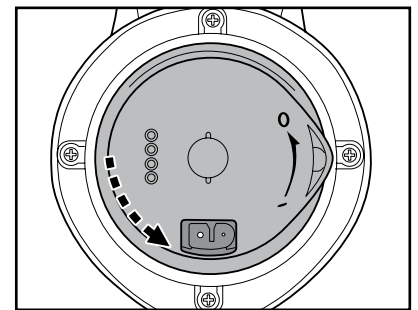
## Cargando la batería

AVISO IMPORTANTE: Recargue completamente la aspiradora de piscina (unas 6 horas) antes de usarlo por primera vez.

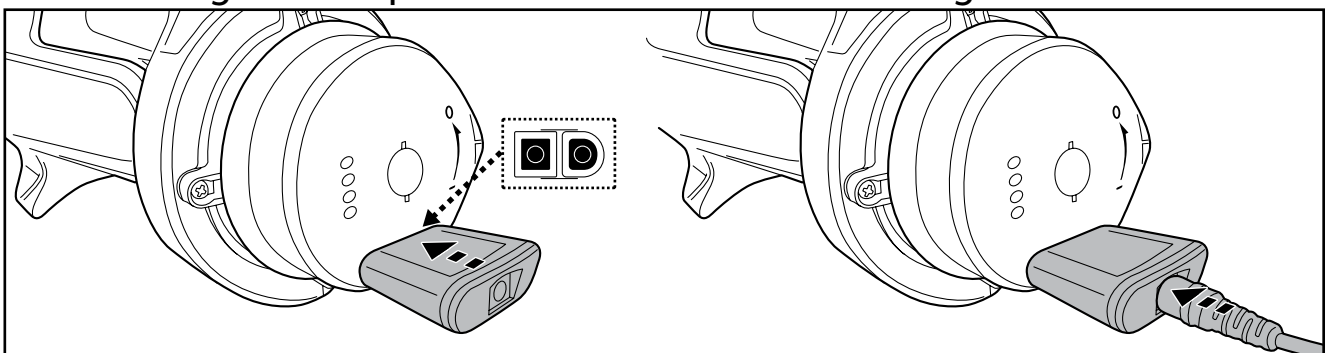
### ¡ATENCIÓN!

- Solo debe usar el adaptador externo y el enchufe de carga originales incluidos en el producto.
- Asegúrese de que la aspiradora de piscina y el puerto de carga estén limpios y secos antes de cargar. (CONSEJO: use un bastoncillo de algodón para secarlo, así como los pines de carga).
- La carga debe ser hecho dentro, en un área bien ventilada lejos de luz del sol, niños, calor, fuentes de ignición, y con una temperatura ambiental entre 5 °C y 30°C .
- Nunca debe usar el adaptador externo ni el enchufe de carga si detecta cualquier daño.
- Los pines de carga son impermeables. Sin embargo, el agua estancada en el puerto y alrededor de los pines podría causar manchas naturales (un subproducto de la reacción química entre el agua y las corrientes eléctricas). Las manchas se pueden eliminar frotando ligeramente con un bastoncillo de algodón humedecido con jugo de limón o vinagre.
- Asegúrese de que la aspiradora de la piscina esté apagada antes de cargarla.

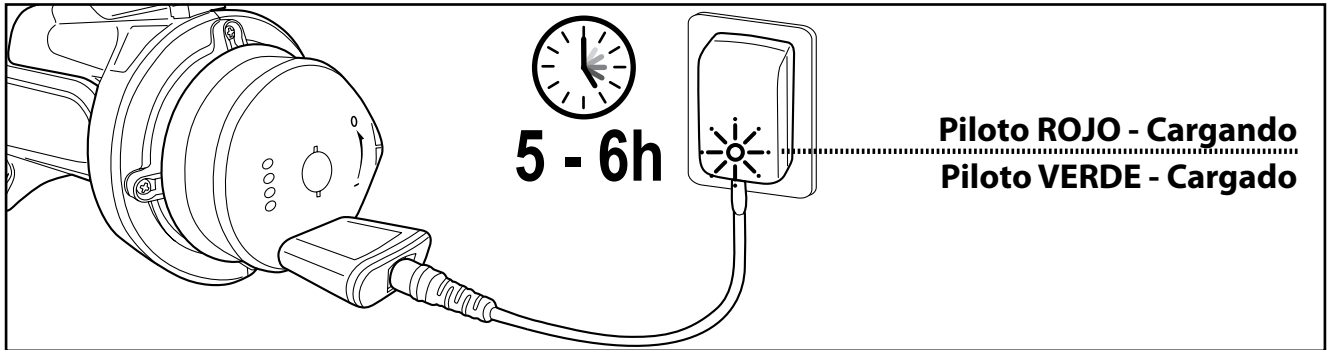
1. Coloque la unidad sobre una superficie plana. Ajuste la aspiradora de piscina en la posición «Apagado/Modo de carga» girando el interruptor en sentido contrario a las agujas del reloj hasta que haga clic y el puerto de carga quede completamente a la vista



2. Alinee e inserte el enchufe de carga en el puerto de carga. **ADVERTENCIA:** Asegúrese de no invertir el enchufe de carga y de que tanto el enchufe como el puerto estén limpios y secos antes de la carga. **CONSEJO:** Utilice un bastoncillo de algodón para secar el puerto de carga y las clavijas. Conecte el cable de carga del adaptador externo al enchufe de carga.



3. Enchufe el adaptador externo a una toma de corriente. El indicador luminoso del adaptador externo permanecerá en rojo mientras la aspiradora se esté cargando y pasará a verde una vez completada la carga. Cargue la aspiradora durante 5-6 horas para optimizar su rendimiento.



NOTA: si el motor hace ruido, apague la unidad poniendo el interruptor de encendido en la posición Apagado/Modo carga.

- Desconecte inmediatamente el adaptador externo de la fuente de alimentación si detecta cualquiera de las siguientes condiciones:
    - Olor extraño o inusual
    - Calor excesivo
    - Deformación, grietas o fugas
    - Humo
4. Cuando la carga haya terminado, desconecte el adaptador exterior de la fuente de alimentación y desenchufe el enchufe de carga de la unidad y del adaptador externo.

En condiciones normales, la aspiradora de piscina se puede usar hasta 75 minutos si tiene carga completa (recargada durante 5-6 horas).

NOTA: Limpie el filtro cartucho /filtro cónico regularmente. El exceso de suciedad en el filtro cartucho /filtro cónico aumenta el trabajo del motor y, como consecuencia, disminuye el tiempo de funcionamiento.

**HECHO:** La batería recargable de iones de litio está clasificada como un producto consumible. Tiene una vida útil limitada y perderá gradualmente su capacidad de retener la carga. Así pues, el tiempo de funcionamiento de la aspiradora de piscina se reducirá gradualmente a medida que se cargue y se descargue la aspiradora por su uso.

Cuando se agote la vida útil de la batería, consulte en el apartado «ELIMINACIÓN DE LA BATERÍA» las instrucciones para eliminar la batería.

**NOTA:** Deje reposar la aspiradora de piscina durante unos 30 o 40 minutos antes de volverla a cargar.

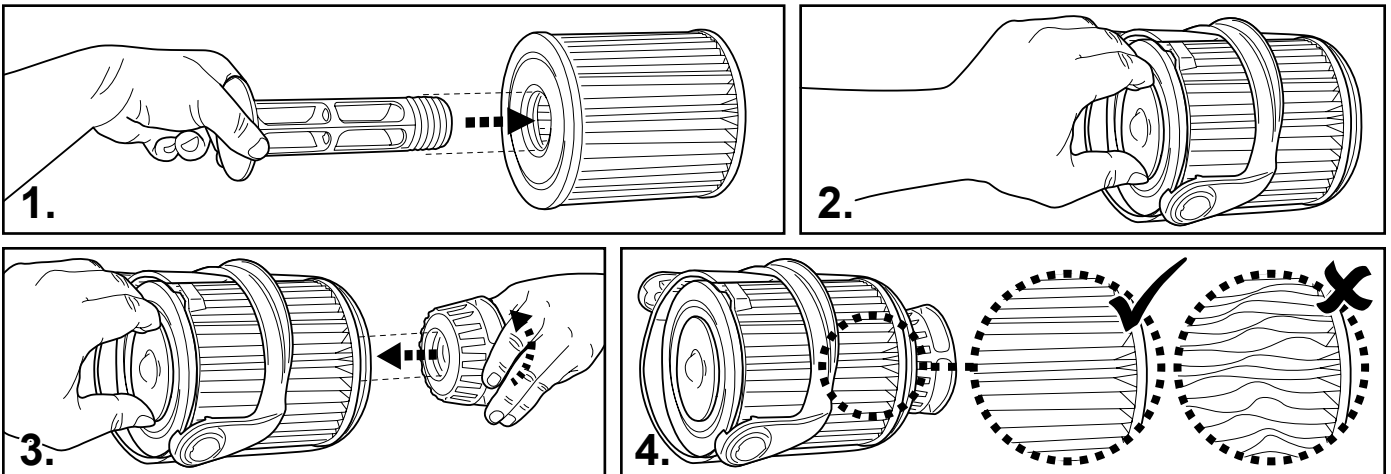


## Montaje previo al uso

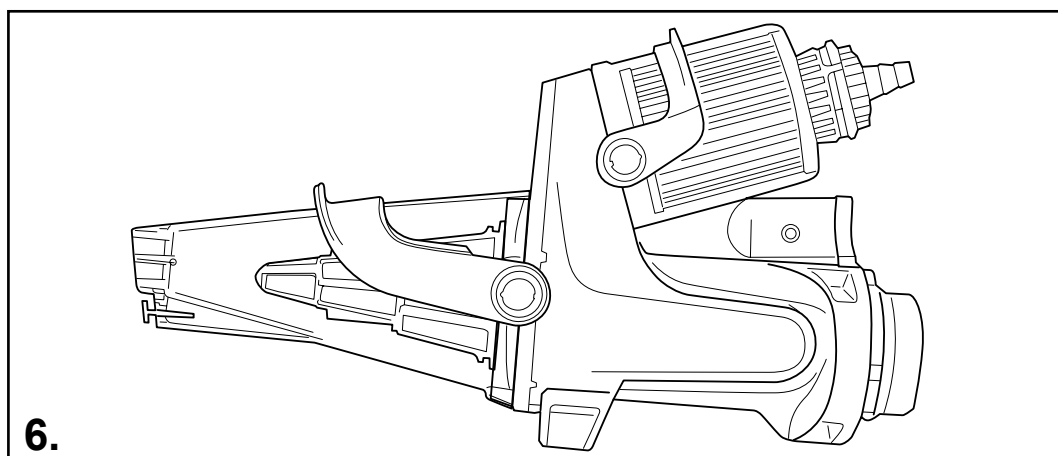
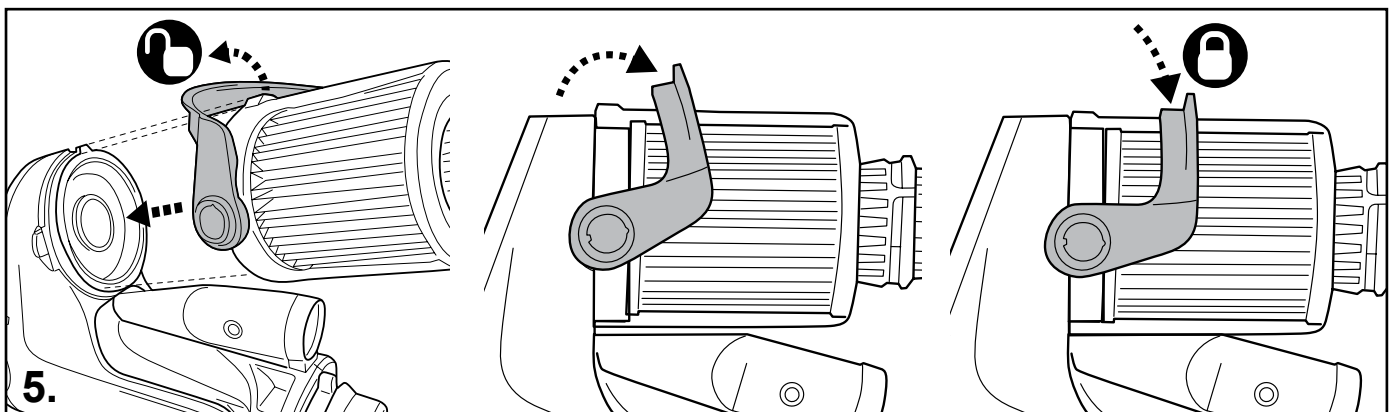
Esta aspiradora de piscinas está equipada con un cono filtrante para la limpieza de residuos generales, como hojas y partículas más grandes, en el fondo de la piscina. Filtro de cartucho adicional y adaptador para manguera de jardín para limpiar residuos finos, limo y floculante.

### Configuración de la función LEAF-OUT™ y SAND-OUT™ Limpieza de pequeñas partículas (con filtro de cartucho)

Sirve para recoger residuos finos (hojas, arena, polvo fino, etc.).



ADVERTENCIA: no apriete demasiado la válvula roscada.



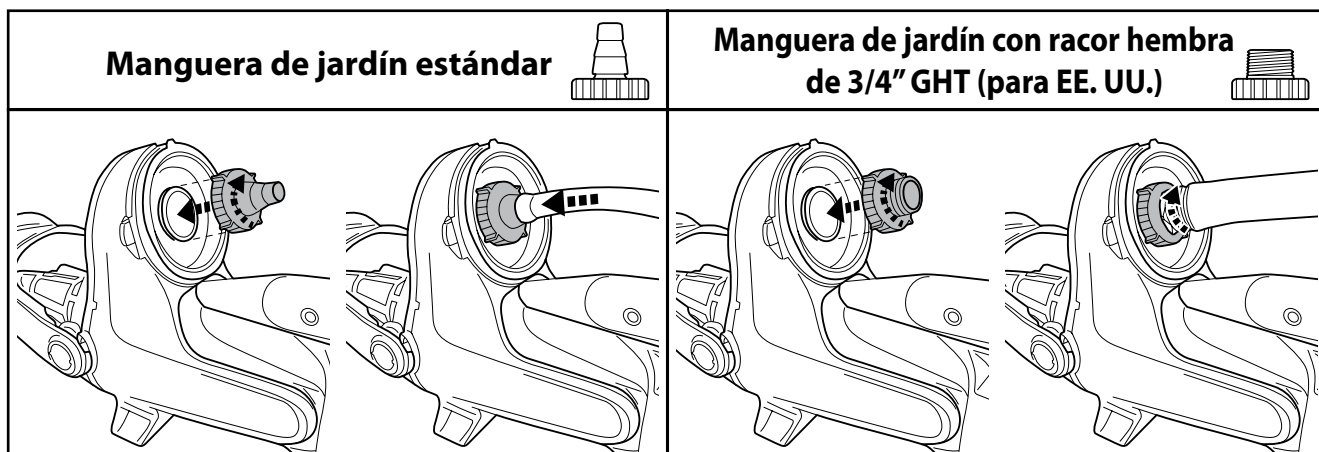
## Configuración de la función FLOC-OUT™

### Limpeza de floculante y limo

(Utilice esta configuración solo para limpiar el floculante y el limo. NO utilice el filtro de cartucho para limpiar el floculante y el limo, ya que el cartucho se atascará y se acortará su vida útil).

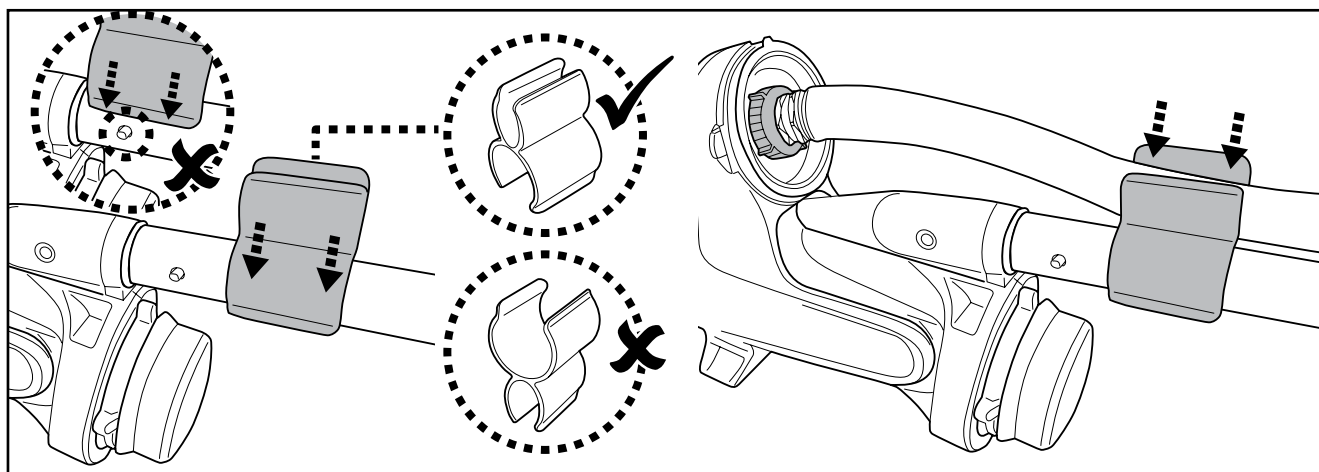
1. Conecte la manguera de jardín.

Necesitará una manguera de jardín (no incluida) cuya longitud sea como mínimo la distancia desde el punto de limpieza más alejado de su piscina hasta el lugar de descarga del agua.



2. Monte la pértiga telescópica tal como se indica en este manual.

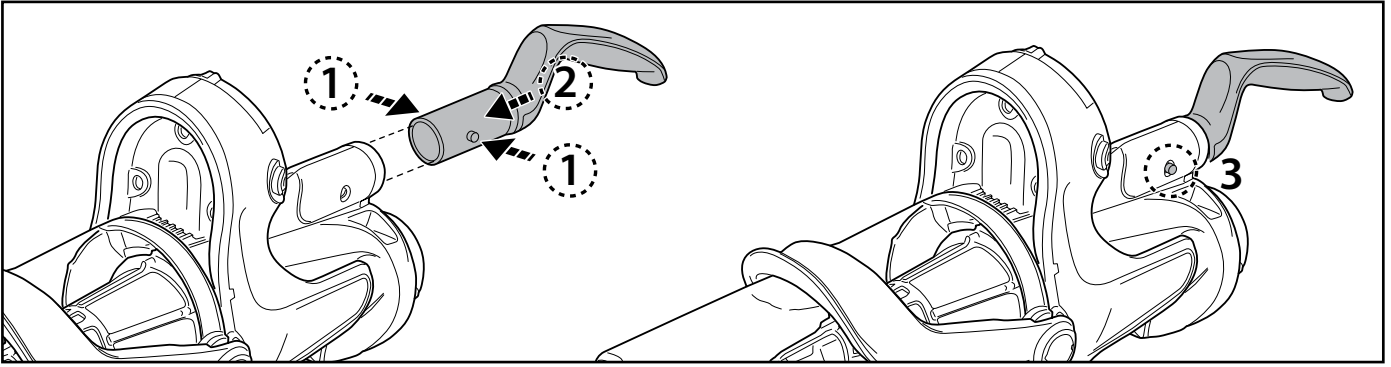
3. Alinee la manguera con la pértiga.



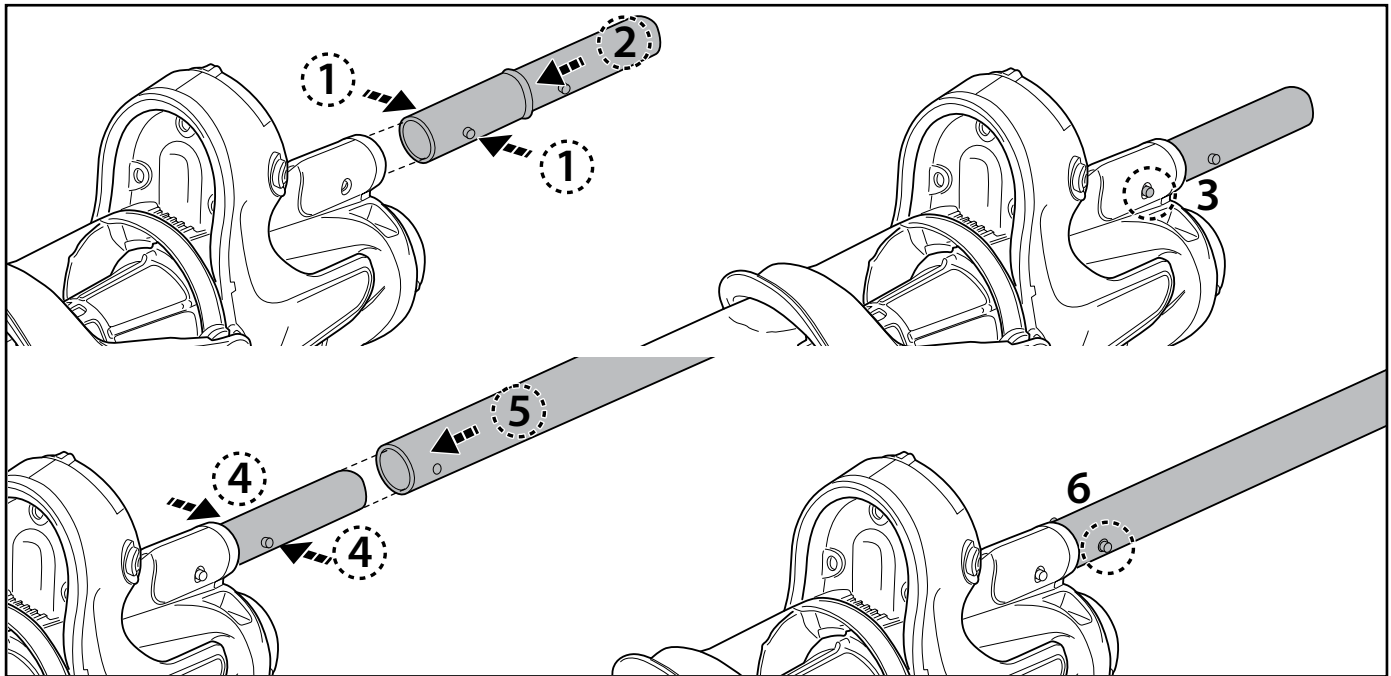
#### CONSEJOS:

- Para evitar que el floculante flote y no se hunda en el fondo de la piscina, es aconsejable apagar la bomba antes de llevar a cabo la limpieza.
- Para eliminar el floculante del fondo de la piscina, debe utilizar el cabezal suministrado con la aspiradora de piscina y retirar el cepillo del lateral/esquina del cabezal de aspiración.
- Durante la limpieza, es importante trabajar con cuidado y lentamente para evitar agitar el floculante y los residuos. Deberá hacer una pausa y esperar a que se asienten de nuevo.
- Pueden ser necesarias varias rondas de aspiración para eliminar todo el floculante y los residuos. Después de la primera ronda, deje que los residuos se hundan de nuevo y repita el proceso para obtener agua más limpia.

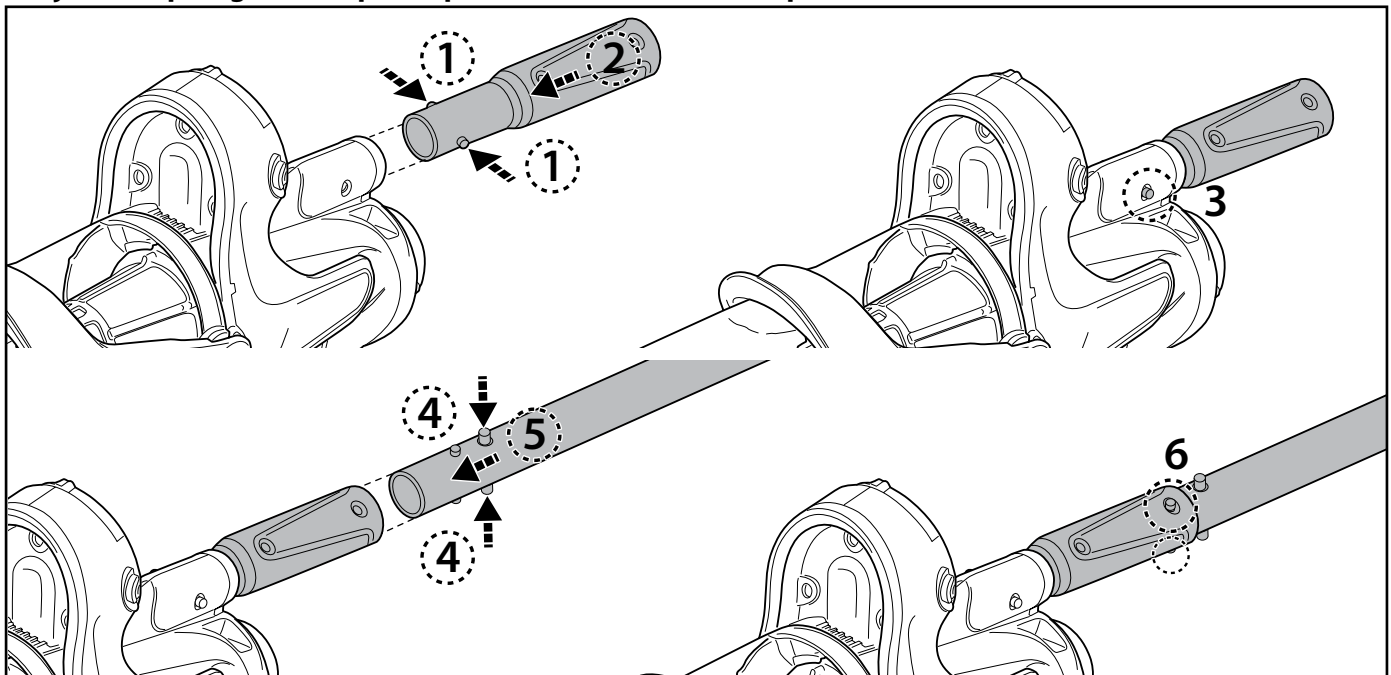
### Conjunto de empuñadura curvada



### Conjunto de pértiga telescópica (no incluido) (Solo para USA/EU)



### Conjunto de pértiga telescópica específico (no incluido) (Solo para Australia/Nueva Zelanda)



## **Preparación de la piscina**

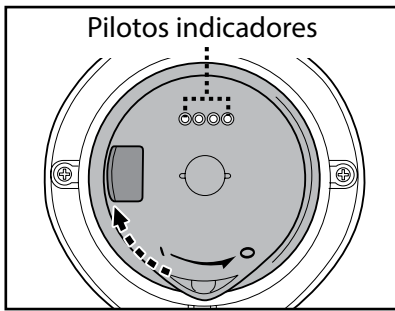
- Si hay piedras, raíces o corrosión metálica en contacto con la parte inferior del revestimiento, retírelas antes de usar la aspiradora de piscina. Pida la ayuda de un profesional cualificado si fuera necesario.
- Si el revestimiento está resquebrajado, dañado o arrugado, contacte con un profesional cualificado para que realice las reparaciones necesarias o sustituya el revestimiento antes de usar la aspiradora de piscina.
- Si tiene una piscina de agua salada, asegúrese de que toda la sal esté disuelta antes de introducir la aspiradora de piscina en el agua.

## **FUNCIONAMIENTO**

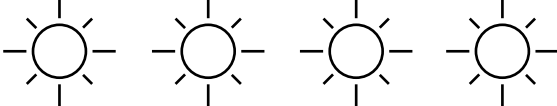
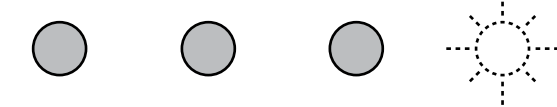
### **¡ATENCIÓN!**

- Asegúrese de apagar la aspiradora de piscina.
- No use la aspiradora de piscina si detecta cualquier daño.
- Es posible que se generen manchas de aceite causadas por el derrame de lubricante que se suele aplicar al anillo sellador.
- Asegúrese de que la aspiradora de piscina esté completamente sumergida en el agua antes de ponerla en funcionamiento. El nivel mínimo de agua requerido para operar la aspiradora de piscina debe llegar por encima del interruptor de encendido / apagado de la aspiradora de piscina cuando se mantiene en posición vertical. Utilizarla aspiradora sin estar correctamente sumergida podría dañarla e invalidar la garantía.
- NO use la aspiradora de piscina sin un filtro cónico intacto instalados. El uso de la aspiradora de piscina sin un filtro cónico intacto instalados ANULARÁ su garantía.
- NO deje la aspiradora de piscina en el agua cuando no la esté usando.
- Asegúrese de que el enchufe de carga esté desconectado antes de usar la aspiradora de piscina.

- 1) Lleve la aspiradora de piscina hasta el borde de la piscina/spa. Sumerja la aspiradora en el agua y gire el interruptor de encendido en el sentido de las agujas del reloj para ponerla en funcionamiento.

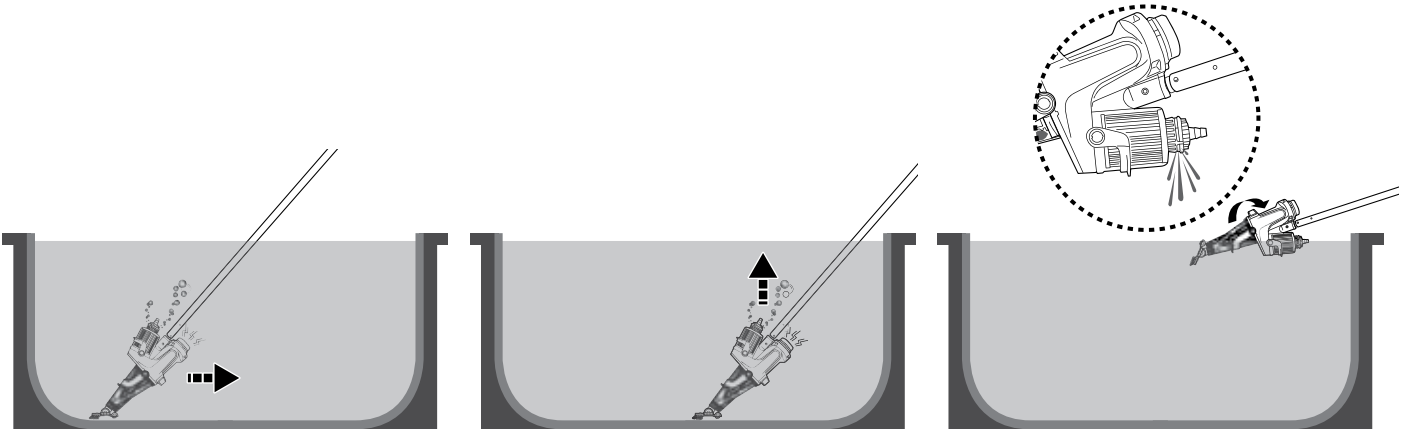


Pilotos indicadores:

	4 pilotos ENCENDIDOS	Quedan hasta 75 minutos de batería.
	El último piloto parpadea	Solo quedan 10-15 minutos de batería cuando el último piloto empiece a parpadear.

**¡PRECAUCIÓN!** Asegúrese de que la aspiradora de piscina siempre esté colocada hacia abajo al introducirla en la piscina. Si no, el conector de la pértiga podría doblarse y dañarse durante el proceso.

- 2) Para sacar la aspiradora de la piscina/spa, gire la aspiradora de la piscina, levántela apuntando hacia abajo. El agua se saldrá por el agujero, la válvula de drenaje del contenedor y la parte inferior de la aspiradora. Coloque la aspiradora de manera que la válvula de drenaje mire hacia abajo para que salga el agua.



**¡PRECAUCIÓN!** Asegúrese de que la aspiradora de piscina siempre esté apuntando hacia abajo al sacarla de la piscina. Si no, el conector de la pértiga podría doblarse y dañar la aspiradora de piscina.

- 3) Enjuague la aspiradora de piscina con agua limpia tras cada uso. NO use detergente.

## LIMPIEZA DEL FILTRO

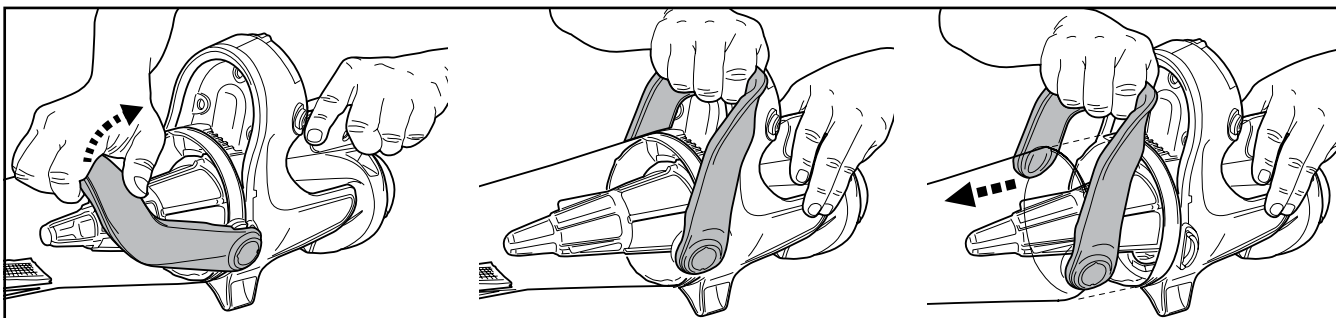
**¡ATENCIÓN!** El uso de la aspiradora de piscina sin un filtro cónico instalado ANULARÁ su garantía.

Para maximizar la eficiencia del lavado, asegúrese de limpiar el filtro cartucho /filtro cónico antes y después de cada uso.

**¡PRECAUCIÓN!** Si la aspiradora de piscina se está recargando, desconecte el adaptador externo de la fuente de alimentación y retire la aspiradora del enchufe de carga. Asegúrese de apagar la aspiradora de piscina.

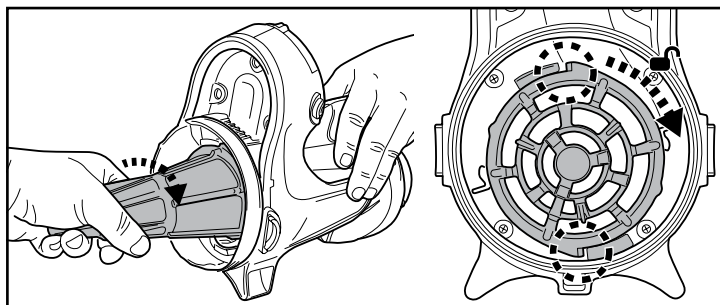
### • Limpieza del filtro cónico

- 1) Coloque la aspiradora de piscina sobre una superficie estable.
- 2) Sujete la aspiradora y levante totalmente la palanca del contenedor para abrir los cierres laterales.



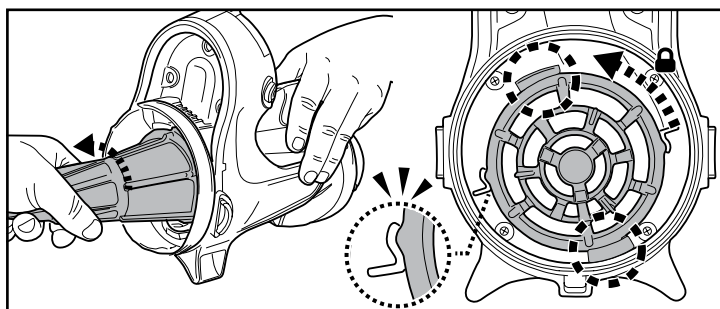
Separe el recipiente y gire el cono del filtro en el sentido de las agujas del reloj hasta que la lengüeta lateral salga de la muesca. Retire el cono del filtro de la aspiradora.

**¡PRECAUCIÓN!** Sustituya el filtro cónico dañado inmediatamente por uno nuevo antes de volver a usar el dispositivo.

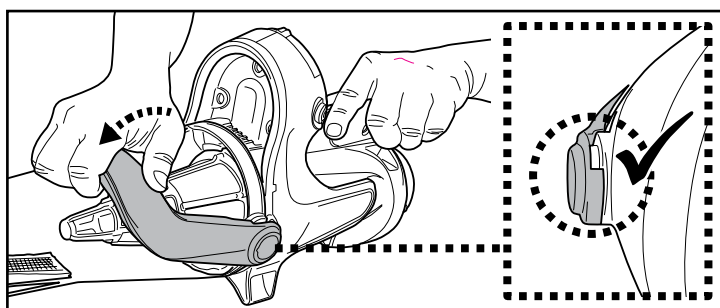


- 3) Vacíe la bolsa filtrante/filtro cónico y limpie el interior de la bolsa filtrante/filtro cónico. Se recomienda limpiar la red de la bolsa filtrante/filtro cónico con agua. Si cree necesario cepillarla, use un cepillo suave para limpiarla con cuidado. NO aplique presión a la red.

- 4) Realice los pasos anteriores al revés para montar de nuevo el filtro cónico. Gire el filtro cónico en el sentido contrario a las agujas del reloj hasta que la pestaña lateral quede asegurada dentro de la muesca correspondiente en ambos lados, tal como se muestra en las imágenes. Oirá un clic.



- 5) Alinee y monte la cubierta de la aspiradora. Compruebe que la palanca queda asegurada bajándola al máximo sobre la cubierta. Oirá un clic.





- Limpieza del cartucho del filtro

Siga las instrucciones del apartado "Montaje del cartucho del filtro" para sacar el cartucho del filtro.

Revise todas las partes para ver si el cartucho está dañado o deteriorado. Si observa daños o roturas, es el momento de cambiar el cartucho.

Se recomienda limpiar el cartucho del filtro con agua de chorro después del ciclo de limpieza de la piscina.

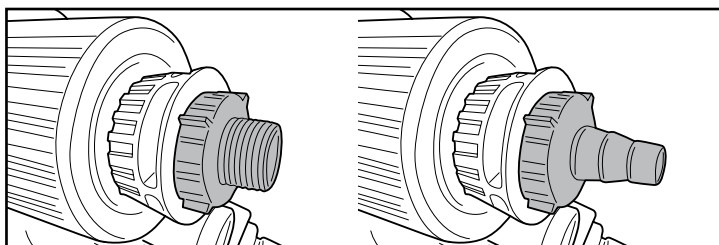
Rocíe el agua para deshacerse de la suciedad que hay entre los pliegues del filtro cartucho. No use nunca agua a presión, ya que pueden dañarse los cartuchos.

Si el cartucho está muy sucio, sumérgalo en agua con detergente durante 2-3 horas y aclárelo con agua de chorro. Si considera necesario cepillarla, límpiela con delicadeza con un cepillo suave para evitar deteriorarla.

## MANTENIMIENTO Y ALMACENAMIENTO

### NOTA:

- 1) Asegúrese de limpiar y secar las áreas alrededor del puerto de carga y los pines de carga después de cada uso para evitar manchas (un subproducto de una reacción química natural entre la corriente eléctrica y el agua). Las manchas se pueden quitar con un bastoncillo de algodón empapado en jugo de limón o vinagre.
- 2) La batería se descarga durante los periodos de almacenamiento. Asegúrese de cargar el limpiafondos entre el 30 % y el 50 % de la capacidad de su batería antes de guardarlo.
- 3) Debe recargar la batería al menos una vez cada tres meses si no la va a usar.
  - Desenchufe el adaptador externo del enchufe y desconecte el conector adaptador del enchufe de carga.
  - Separe los accesorios de la aspiradora de piscina. Si fuera necesario, enjuague la aspiradora de piscina y sus accesorios con agua limpia. NO use detergente.
  - Asegúrese de drenar el agua del mango a través del orificio situado en la parte inferior.
  - Use un paño húmedo para limpiar y secar la aspiradora de piscina y sus accesorios.
  - Guárdelos en una zona bien ventilada y libre de luz solar, calor, fuentes de ignición y productos químicos para piscina, fuera del alcance de los niños. La temperatura ambiente de almacenamiento debe ser de 10 °C - 25 °C. NOTA: Una temperatura de almacenamiento superior podría reducir la vida útil de la batería.
  - Para organizar mejor el conector de la manguera durante el almacenamiento, enrosque el conector en la válvula del cartucho.



## ¡ATENCIÓN!

- No intente nunca desmontar la aspiradora de piscina.
- No intente, bajo ninguna circunstancia, desmontar la aspiradora de piscina y sustituir el propulsor, el motor y la batería por sí mismo.

### ¡PRECAUCIÓN!

- El calor excesivo puede dañar la batería y reducir su vida útil.
- Consulte con su distribuidor para la sustitución de la batería si ocurre lo siguiente:
  - La batería parece dañada o no se carga completamente.
  - El tiempo de funcionamiento de la batería se ha reducido considerablemente. Observe y anote el tiempo de funcionamiento durante los primeros usos (con una carga completa). Use esta información como referencia para comparar el tiempo de funcionamiento en el futuro.
- La batería debe sacarse de la aspiradora de piscina antes de ser desechada.
- La aspiradora de piscina debe estar desconectada de la alimentación eléctrica para retirar la batería.
- La batería debe desecharse de manera segura y de acuerdo con las ordenanzas o regulaciones locales.

**NOTA:** Un mantenimiento incorrecto puede reducir la vida útil de la batería y afectar a su capacidad.

## **ELIMINACIÓN DE LA BATERÍA** (Debe hacerlo un técnico autorizado)

Su aspiradora de piscina está equipada con un paquete de baterías de iones de litio recargable que no requiere mantenimiento y que debe ser desechado correctamente. Su reciclaje es obligatorio; contacte con su autoridad local para obtener más información.

### **¡ATENCIÓN!** Nunca debe intentar desmontar un paquete de baterías.

- Retire todos los objetos personales, como anillos, pulseras, collares y relojes, cuando el paquete de baterías esté desconectado de la aspiradora de piscina.
- Una batería puede generar una corriente de cortocircuito lo suficientemente elevada como para soldar un anillo (u objeto similar) al metal, causando graves quemaduras.
- Al retirar el paquete de baterías debe llevar gafas protectoras, guantes y ropa protectora.
- Evite tocar los cables y que éstos entren en contacto con cualquier objeto metálico, lo cual podría causar chispas y/o un cortocircuito en la batería.
- No fume ni permita la presencia de chispas o llamas cerca de la batería ni de la aspiradora de piscina.
- No exponga la batería al fuego o a calor intenso, ya que se podría producir una explosión.

### **¡PRECAUCIÓN!**

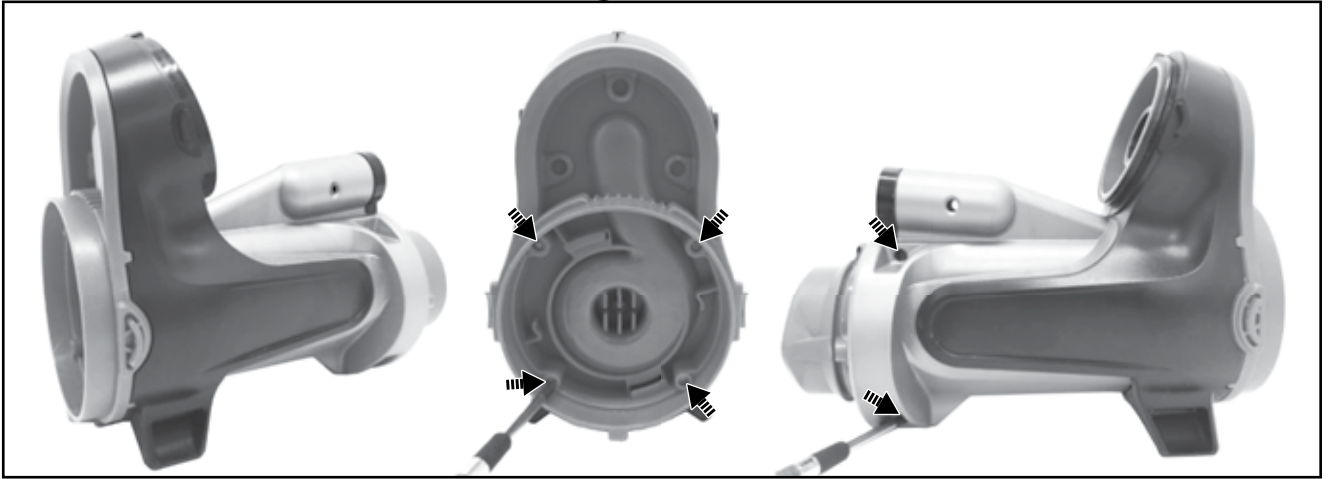
Si se produce una fuga, evite entrar en contacto con los líquidos y coloque la batería dañada en una bolsa de plástico.

- Si los líquidos de la fuga entran en contacto con piel o ropa, lávese inmediatamente con mucha agua y jabón.
- Si los líquidos de la fuga entran en contacto con sus ojos, no los frote; láveselos inmediatamente con agua fresca durante un mínimo de 15 minutos sin frotar. Busque atención médica lo antes posible.

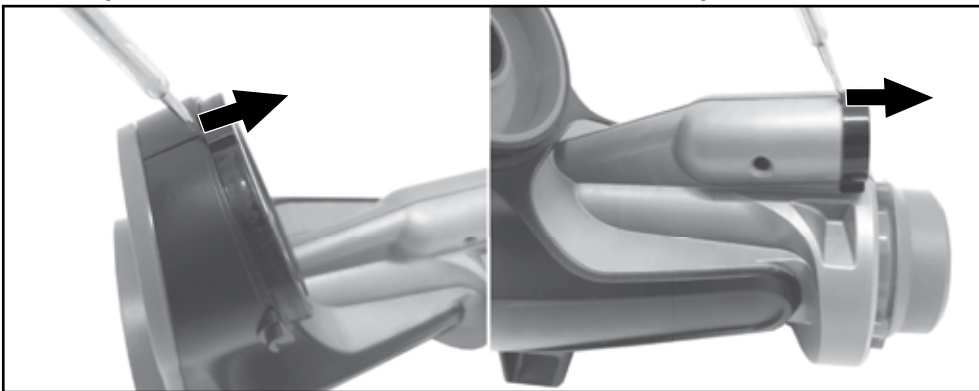
## **Cómo retirar el paquete de baterías solo para la eliminación de la batería** (debe hacerlo un técnico autorizado)

Herramientas recomendadas (no incluidas): Destornillador plano y Phillips.

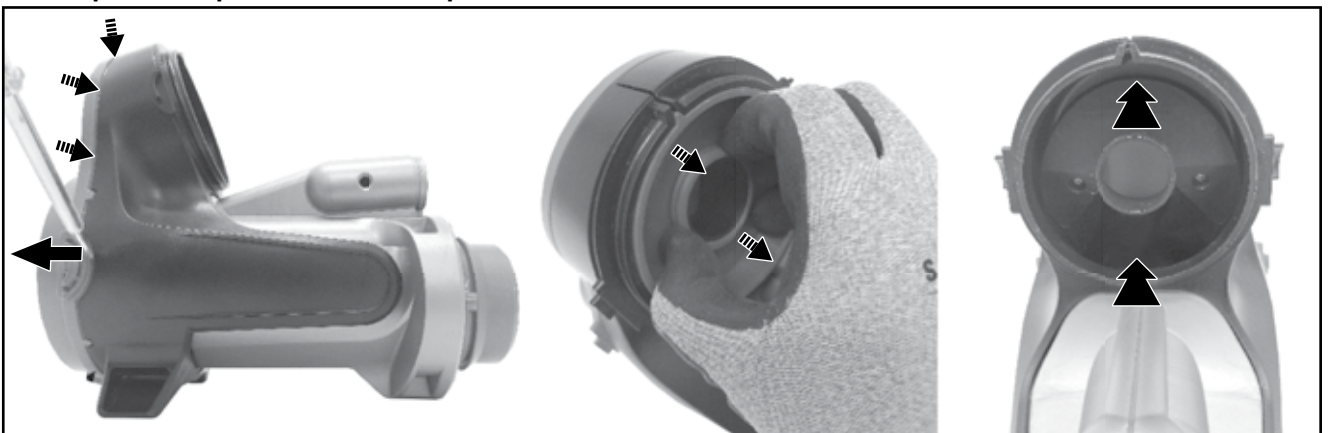
- 1) Siga las instrucciones anteriores para desmontar la cubierta y el cono del filtro. Utilice un destornillador Phillips para aflojar los tornillos de la parte frontal y lateral, tal como se muestra en la figura.



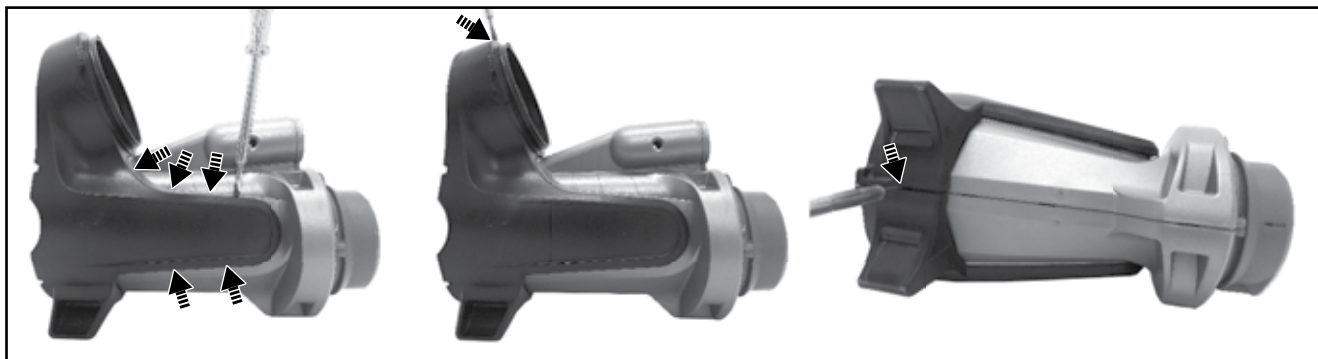
- 2) Utilice un destornillador plano para hacer palanca y separar el anillo de la parte superior y el extremo, tal como se muestra en la imagen. Si es difícil hacer palanca, utilice un alicate de corte para cortarlo.



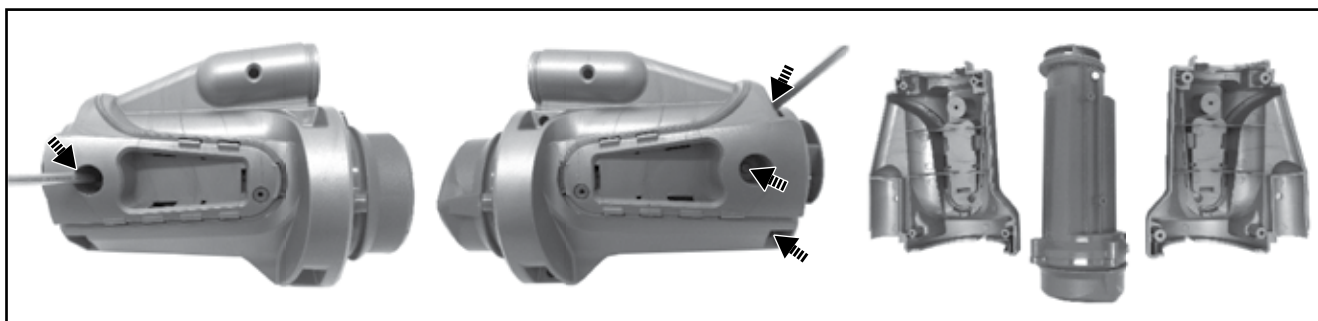
- 3) Utilice un destornillador plano para hacer palanca a lo largo de la costura detrás del panel frontal. Extraiga la cubierta interior. Si es necesario, utilice una llave de alicates para separar la cubierta interior. Empuje el panel hacia atrás para separar todo el panel frontal.



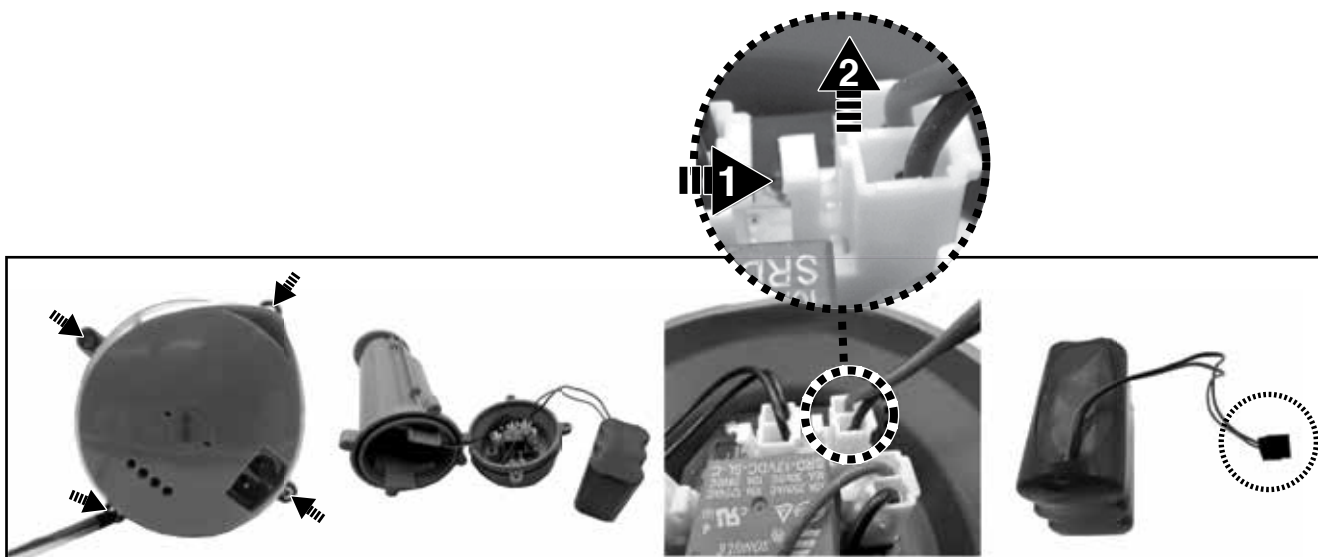
- 4) Utilice un destornillador plano para hacer palanca a lo largo de la costura y separar ambas cubiertas laterales.



- 5) Afloje los tornillos de la parte frontal y lateral, tal como se muestra en la imagen. Separe las mitades del conjunto para exponer la unidad operativa.





- 6) Afloje los tornillos y abra la tapa. Retire la batería y localice el cable conector. Presione la pestaña del cable y extráigalo. **NOTA:** Envuelva inmediatamente con cinta aislante el conector de las baterías para evitar que los extremos de ambos cables entren en contacto y se produzca un cortocircuito.



# RESOLUCIÓN DE PROBLEMAS

Problema	Posible causa	Solución
La aspiradora de piscina no captura la suciedad / partículas finas	La batería se está acabando	Vuelva a cargar la batería.
	El propulsor está atascado	Apague la aspiradora de piscina y compruebe visualmente el hueco situado en el centro de la aspiradora para ver si el propulsor está atascado a causa de restos grandes. Si es posible, use una herramienta pequeña para retirar los restos con mucho cuidado. Si es necesario, contacte con su proveedor para obtener más instrucciones. <b>¡ATENCIÓN!</b> Asegúrese de que la aspiradora de piscina está desconectada antes de manipular la unidad.
	El propulsor está roto	Contacte con su proveedor para sustituir el propulsor.
	El contenedor está lleno	Vacíe el contenedor.
	El cono del filtro está obstruido por partículas finas	Limpie la malla filtrante. Si considera necesario cepillar, utilice solo un cepillo suave para limpiar el cono del filtro con suavidad y cuidado.
	El cartucho del filtro está lleno	Siga las instrucciones de limpieza para limpiar el cartucho.
La suciedad sale del contenedor	La solapa de la boquilla de succión está rota	La solapa de la boquilla de succión actúa como una puerta, evitando que la suciedad salga del contenedor. Sustituya la solapa de la boquilla.
La suciedad entra en el filtro cónico	La filtro cónico está dañada	Sustituya con un filtro cónico nuevo.
La suciedad fina se sale de la aspiradora	El filtro cartucho está roto	Sustituya el filtro cartucho.
No es posible ensamblar de manera segura el pértiga / la pértiga telescópica / mango curvado	El pasador lateral del conector de la pértiga / mango curvado está roto	Sustitúyalo por un conector de pértiga / mango curvado nuevo.
La aspiradora de piscina no se puede cargar / recargar	La batería está dañada	Contacte con su proveedor para sustituir la batería. <b>¡ATENCIÓN!</b> NO abra la aspiradora de piscina ni sustituya la batería por sí mismo. Podría sufrir heridas graves o fatales y la garantía quedaría anulada.
	El enchufe de carga no está correctamente conectado al adaptador externo y la aspiradora	Consulte el manual de instrucciones y conecte adecuadamente los accesorios de carga.
	El adaptador externo no funciona	Contacte con su proveedor para la sustitución. <b>¡ATENCIÓN!</b> Si usa un adaptador externo incorrecto podría dañar la aspiradora de piscina / la batería, por lo que la garantía quedaría anulada.
La aspiradora de la piscina no se mueve con suavidad	La rueda está atascada	Limpie los residuos de la rueda.
Tiempo de carga superior al anunciado	Pines de carga manchadas	Limpie las manchas de los alrededores de las pines de carga con un bastoncillo de algodón impregnado en zumo de limón o vinagre.
El tiempo de funcionamiento es inferior al esperado	La batería no está completamente cargada	Cargue la aspiradora de piscina al menos durante 6 horas. NOTA: Si aparecen manchas en los pines de carga, límpielas con un bastoncillo de algodón impregnado en zumo de limón o vinagre.

## Programas medioambientales, Directiva Europea WEEE

	Respete las regulaciones de la Unión Europea y ayúdenos a proteger el medio ambiente. Devuelva los equipos eléctricos desechados al punto indicado por su municipio, en el que se recicle correctamente el equipo eléctrico y electrónico. No lo deposite en contenedores de basura sin separar. En el caso de objetos que incluyan pilas, sáquelas antes de depositar el producto.
	Todos los derechos reservados. Queda prohibida la reproducción o transmisión parcial o total de este documento de ninguna forma y por ningún medio electrónico, mecánico, en fotocopia, grabación u otros, sin la autorización previa por escrito de Kokido Development, Ltd. (L-23011001)

Si necesita una copia digital de este manual de instrucciones, contacte con nuestro servicio de Atención al Cliente por correo electrónico: [customerservice@kokido.com](mailto:customerservice@kokido.com)

## GUARDE ESTAS INSTRUCCIONES



**Opmerking: Afhankelijk van het model dat u bezit, zijn accessoires/onderdelen die in deze handleiding worden getoond niet noodzakelijkerwijs bij elk model inbegrepen.** Product/onderdelen op foto's/tekeningen kunnen variëren afhankelijk van het gekochte model. Controleer de tekening met reserveonderdelen om de onderdelen te begrijpen die bij uw aangeschafte model zijn inbegrepen.

## **WAARSCHUWINGEN EN VEILIGHEIDSAANWIJZINGEN**

De informatie in deze Handleiding helpt u om het apparaat veilig te bedienen, om uzelf en anderen te beschermen tegen gevaren en om schade aan het apparaat en andere eigendommen te voorkomen.

### **BEWAAR DEZE HANDLEIDING**

#### **WAARSCHUWING!**

- Dit is GEEN SPEELGOED. Zorg ervoor dat kinderen uit de buurt blijven van deze bodemzuiger en zijn toebehoren.
- Laat kinderen nooit dit bodemzuiger bedienen.
- Dit apparaat is niet bedoeld voor gebruik door personen met verminderde fysieke, zintuiglijke of mentale capaciteiten, of een gebrek aan ervaring en kennis, tenzij zij onder toezicht staan of instructies hebben gekregen over het gebruik van het apparaat door een persoon die verantwoordelijk is voor hun veiligheid en zij de daarmee gepaard gaande risico's begrijpen.
- Kinderen mogen niet met dit bodemzuiger spelen.
- De reiniging en het onderhoud van de bodemzuiger mogen niet door kinderen worden uitgevoerd.
- Zorg ervoor dat de bodemzuiger volledig in het zwembad is ondergedompeld voordat u het apparaat begint te gebruiken. Het minimale waterniveau dat vereist is om de zwembadstofzuiger te laten werken, moet de gehele zwembadstofzuiger bedekken. Het gebruik van de bodemzuiger wanneer deze niet correct is ondergedompeld, kan het apparaat beschadigen en de garantie ongeldig maken.
- De zuiger is geschikt voor zwembaden tot 3 meter diep.
- Maximale watertemperatuur: 5°C – 42°C.
-  Verwijderbaar voedingsapparaat (externe adapter).
- De bodemzuiger mag alleen worden opgeladen met de externe adapter en laadstekker die bij dit product worden geleverd.
- Gebruik voor het opladen van de batterij alleen de afneembare voedingseenheid die bij deze bodemzuiger is geleverd om de batterij op te laden.
- Sluit de externe adapter aan op een stroombron via een aardlekschakelaar (RCD) / een verliesstroomschakelaar (GFCI). Raadpleeg een professionele elektricien als u vragen hebt.
- Gebruik de bodemzuiger niet als hij beschadigd is.
- Vervang beschadigde onderdelen door onderdelen die door de distributeur of fabrikant zijn gecertificeerd.



- Schakel de stroom uit, maak de externe adapter los van de stroombron en haal de stekker van de externe adapter uit de Schakel de stroom uit, maak de externe adapter los van de stroombron en haal de stekker van de externe adapter uit de laadstekker voordat u de bodemzuiger van de laadstekker losmaakt.
- Koppel de bodemzuiger los van het stroomnet en zorg ervoor dat de bodemzuiger UIT staat voordat u regelmatig onderhoud uitvoert - zoals het reinigen van het filter en de laadpennen.
- Probeer in geen geval de geïnstalleerde oplaadbare Li-ion-batterij te vervangen.
- Pak de bodemzuiger, de externe adapter en de laadstekker NIET vast met natte ledematen en zonder schoenen terwijl hij wordt opgeladen.
- Zorg ervoor dat kinderen niet proberen toegang te krijgen tot de zwembadstofzuiger terwijl deze in bedrijf is.
- Gebruik deze bodemzuiger NOOIT zonder een filterkegel in perfecte staat, anders vervalt de garantie.
- Gevaar voor beknelling door zuigkracht: deze bodemzuiger veroorzaakt zuigkracht. Zorg ervoor dat haar, lichaamsdelen of losse kledingstukken niet in contact komen met de zuigmond van de bodemzuiger wanneer deze ingeschakeld is.
- Steek geen lichaamsdelen, kleding of andere voorwerpen in de openingen en bewegende delen van de zuiger.
- Gebruik deze bodemzuiger NIET om giftige stoffen, ontvlambare en brandbare vloeistoffen (d.w.z. benzine) op te zuigen in de aanwezigheid van explosieve of ontvlambare dampen.
- Probeer nooit om de bodemzuiger te demonteren om zelf de rotor, de motor of de batterij te vervangen.
- Steek nooit je vingers of een ander voorwerp in het toestel om de rotor aan te raken.
- De ingebouwde batterij moet door een ervaren technicus worden verwijderd voordat deze wordt afgedankt.
- Deze bodemzuiger bevat een batterij die enkel mag worden verwijderd door vakkundig personeel.
- De bodemzuiger moet van het stroomnet worden losgekoppeld wanneer de batterij verwijderd wordt.
- Voor meer informatie over het recyclen/verwijderen van batterijen raadpleegt u het hoofdstuk " DE BATTERIJ WEGWERPEN" in deze handleiding en neemt u contact op met uw lokale autoriteiten voor meer informatie.
- De batterij moet veilig worden weggegooid in overeenstemming met de plaatselijke verordeningen of voorschriften.
- Externe adapter en laadstekker:
  - Gebruik de externe adapter en de laadstekker nooit voor andere doeleinden

dan het opladen van de batterij die samen met de bodemzuiger werd geleverd.

- Gebruik de externe adapter en laadstekker niet buitenshuis en stel ze niet bloot aan regen, vocht, vloeistoffen of hitte.
- De transformator (of externe adapter) moet buiten zone 1 geplaatst worden.
- Bewaar de externe adapter en de laadstekker buiten het bereik van kinderen.
- Gebruik de externe adapter en de laadstekker niet als ze beschadigd zijn.
- Raak de externe adapter en de laadstekker NIET aan met natte handen.
- Raak de bodemzuiger, de externe adapter en de laadstekker NIET aan met natte handen en zonder schoenen terwijl de zuiger aan het opladen is.
- Haal de externe adapter uit het stopcontact wanneer hij niet in gebruik is.
- Probeer nooit om de externe adapter of de laadstekker te openen.
- Als de voedingskabel van de externe adapter beschadigd is, moet de externe adapter door de fabrikant of zijn servicemedewerker worden vervangen om gevaren van welke aard ook te voorkomen.
- De bodemzuiger en de laadstekker moeten volledig droog zijn voor u de zuiger herlaadt.

#### OPGELET!

- Deze bodemzuiger is enkel geschikt voor gebruik onder water. Het is geen gewone stofzuiger. Gebruik hem NOOIT om iets anders schoon te maken dan uw zwembad/spa.
- Gebruik enkel de originele toebehoren die bij dit toestel worden geleverd.
- Gebruik de bodemzuiger NIET vlak na een chloorshock. Het is aanbevolen om de pomp eerst 24-48 uren te laten draaien.
- Als u een zwembad met zout water gebruikt, zorg er dan voor dat al het zout opgelost is voordat u de bodemzuiger in het water plaatst.
- Het is niet raadzaam deze bodemzuiger tegelijkertijd te gebruiken met een andere automatische reiniger/reiniger.
- Zuig geen harde, scherpe voorwerpen op met dit bodemzuiger. Zij kunnen de zuiger of de filter beschadigen.
- Wees voorzichtig wanneer u de zwembadtrappen schoonmaakt.
- Draag de bodemzuiger niet met het snoer van de externe adapter of laadstekker of trek niet aan het snoer om hem van de stroombron en de laadstekker los te koppelen om schade aan de externe adapter en de laadstekker te vermijden.
- Laad de bodemzuiger binnen op, in een schone, droge, goed verluchte ruimte en een omgevingstemperatuur tussen 5°C en 30°C.
- Laad de bodemzuiger NIET langer dan 10 uur opladen.
- Als u de bodemzuiger gedurende enige tijd niet gaat gebruiken, haalt u hem beter van de laadstekker. Maak de zuiger en toebehoren schoon met een vochtige doek. Laad de bodemzuiger tot ongeveer 30% - 50% van de laadcapaciteit op voordat u hem opbergt. Bewaar hem in een goed verluchte ruimte, beschermd tegen zonlicht, hitte, ontstekingsbronnen en zwembadchemicaliën en buiten het bereik van kinderen. Laat de bodemzuiger nooit in het stopcontact zitten wanneer u hem voor langere tijd opbergt. Laad de bodemzuiger om de drie maanden op.

**Bovenstaande waarschuwingen en veiligheidsaanwijzingen vormen geen exhaustieve lijst van alle mogelijke risico's en/of verwondingen.** Elke zwembad- of spa-eigenaar moet het toestel voorzichtig en met gezond verstand gebruiken.

# AAN DE SLAG

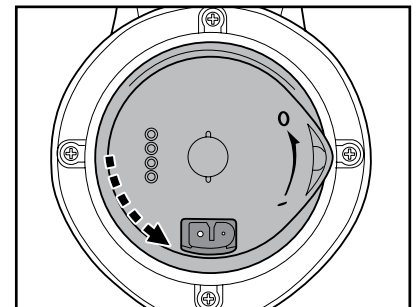
## De batterij laden

**BELANGRIJK:** Laad de bodemzuiger volledig op (ongeveer 6 uur) voor u hem voor het eerst gebruikt.

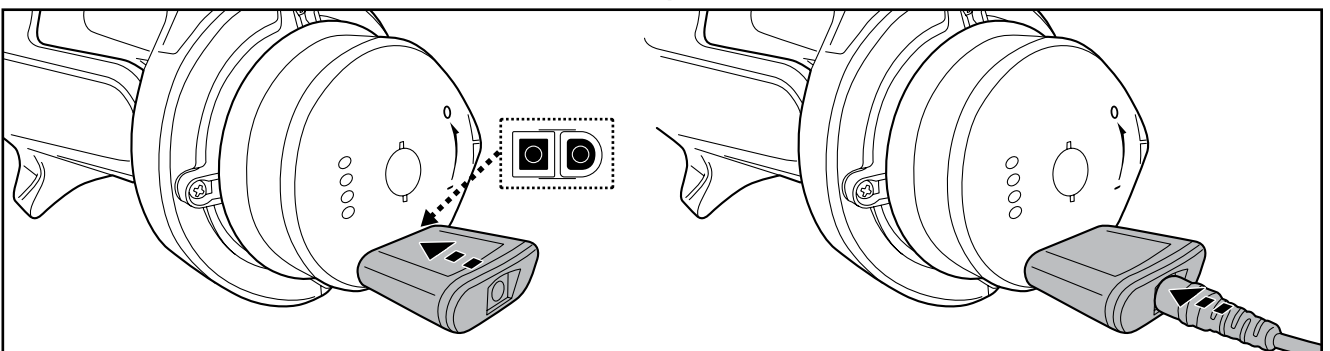
## WAARSCHUWING!

- Gebruik alleen de originele externe adapter en meegeleverde laadstekker.
- Zorg ervoor dat de bodemzuiger en de laadpoort schoon en droog zijn voordat u de bodemzuiger installeert en oplaadt. (TIPS: gebruik een wattenstaafje om de laadpoort en de laadpennen te drogen.)
- Laad het toestel binnenshuis op, in een goed verluchte ruimte, beschermd tegen zonlicht, hitte en ontstekingsbronnen, buiten het bereik van kinderen en bij een omgevingstemperatuur tussen 5°C en 30°C.
- Gebruik de externe adapter en de laadstekker niet als ze beschadigd zijn.
- De laadpennen zijn waterdicht. Waterresten in de poort en rond de pennen kunnen echter leiden tot het natuurlijk voorkomen van vlekken (een bijproduct van een chemische reactie tussen water en elektrische stromen). Anders kunnen de vlekken worden verwijderd door licht te schrobben met een wattenstaafje dat in citroensap of azijn is gedrenkt.
- Zorg ervoor dat de bodemzuiger is uitgeschakeld voordat u gaat laden.

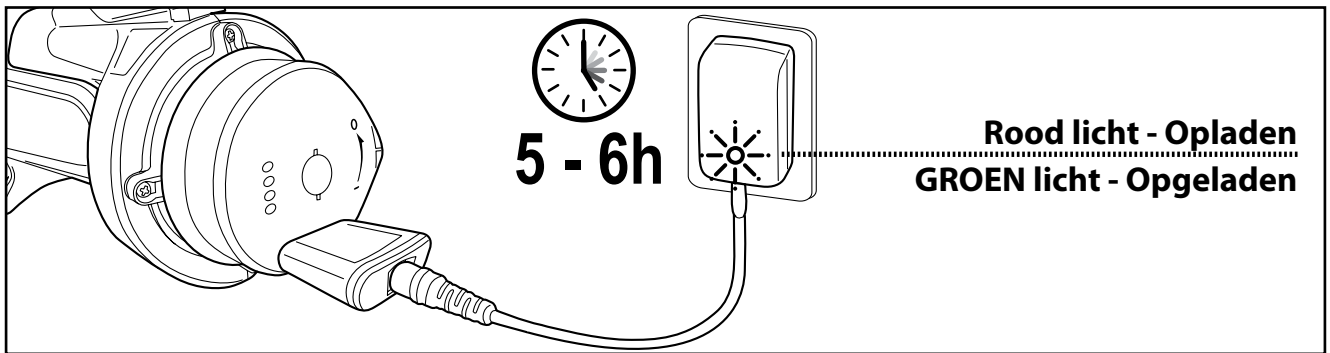
1. Plaats het apparaat op een vlakke ondergrond. Stel de zwembadstofzuiger in op Uitschakelen/Opladen door de schakelknop linksom te draaien totdat deze klikt en de oplaadpoort volledig zichtbaar is.



2. Lijnde oplaadstekker uitensluit deze aan op de oplaadpoort. **WAARSCHUWING!** Zorg ervoor dat u de laadstekker niet omkeert en zorg ervoor dat zowel de laadstekker als de oplaadpoort schoon en droog zijn voordat u ze oplaadt. TIPS: Gebruik een wattenstaafje om de oplaadpoort en punten te drogen. Steek de laadkabel van de externe adapter in de laadstekker.



3. Sluit de externe adapter aan op de stroombron. Het indicatielampje op de externe adapter wordt rood als de stofzuiger wordt opgeladen en groen als die volledig is opgeladen. Laad hem gedurende 5-6 uur op voor de beste prestaties.



**OPMERKING:** als de motor lawaai maakt, schakelt u het toestel uit door de schakelknop in de stand Power Off/Charging Mode te zetten.

- Koppel de externe adapter onmiddellijk los van de voedingsbron als u een van de volgende omstandigheden opmerkt:
    - Onaangename of ongewone geur
    - Oververhitting
    - Vervorming, barsten, lekken
    - Rook
4. Zodra het laden voltooid is, koppelt u de externe adapter los van de voedingsbron en verwijdert u de laadstekker uit het toestel en de externe adapter.

Wanneer de bodemzuiger volledig opgeladen is (ongeveer 5-6 uur), kan hij normaal gezien 75 minuten werken.

**OPMERKING:** Maak de patroonfilter /filterkegel regelmatig schoon. Opgehoopt vuil in de patroonfilter /filterkegel zal de werking van de motor overbelasten en de werkingstijd bijgevolg verkorten.

**LET OP:** de oplaadbare lithium-ionbatterij wordt beschouwd als een verbruiksgoed. Ze heeft een beperkte levensduur en zal na verloop van tijd geleidelijk aan oplaadcapaciteit verliezen. Naarmate de bodemzuiger wordt opgeladen en ontladen, zal zijn werkingstijd geleidelijk aan korter worden.

Wanneer de levensduur van de batterij ten einde is, raadpleeg dan het hoofdstuk "DE BATTERIJ WEGWERPEN" voor instructies voor het wegwerpen van de batterij.

**OPMERKING:** Laat de bodemzuiger ongeveer 30 tot 40 minuten rusten alvorens hem opnieuw te laden.

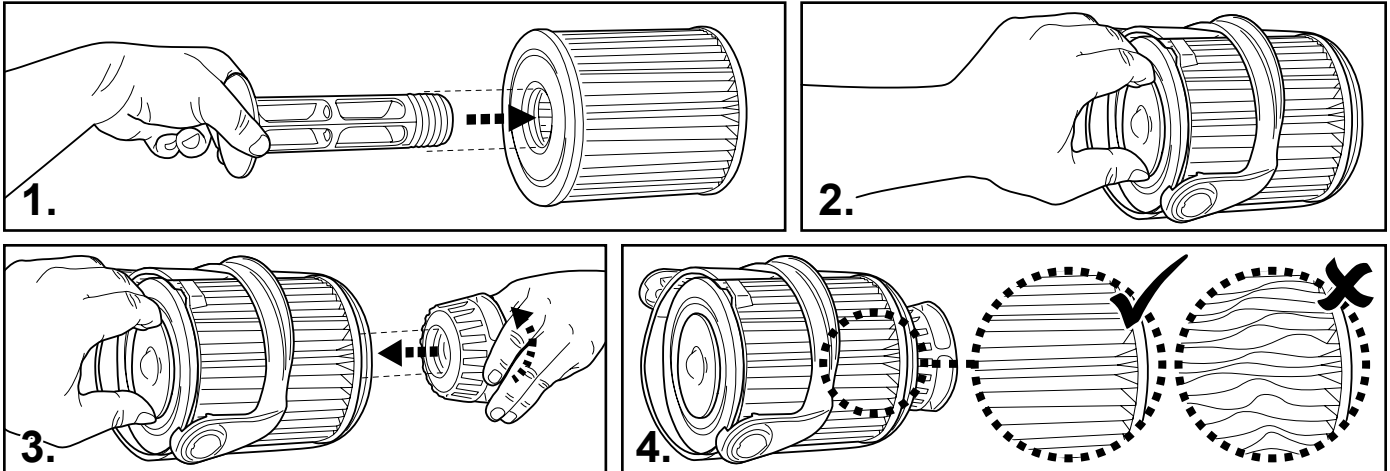
## Vorbereiding

Deze zwembadstofzuiger is uitgerust met een filterkegel voor het reinigen van algemeen vuil zoals bladeren en grotere deeltjes op de zwembadbodem. Extra patroonfilter en tuinslangadapter voor het reinigen van fijn vuil, slib en vlokmiddel.

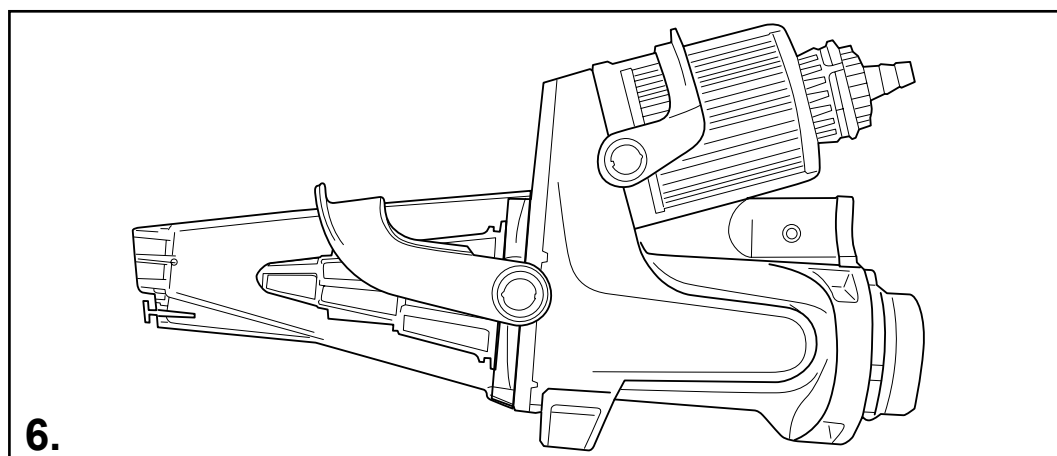
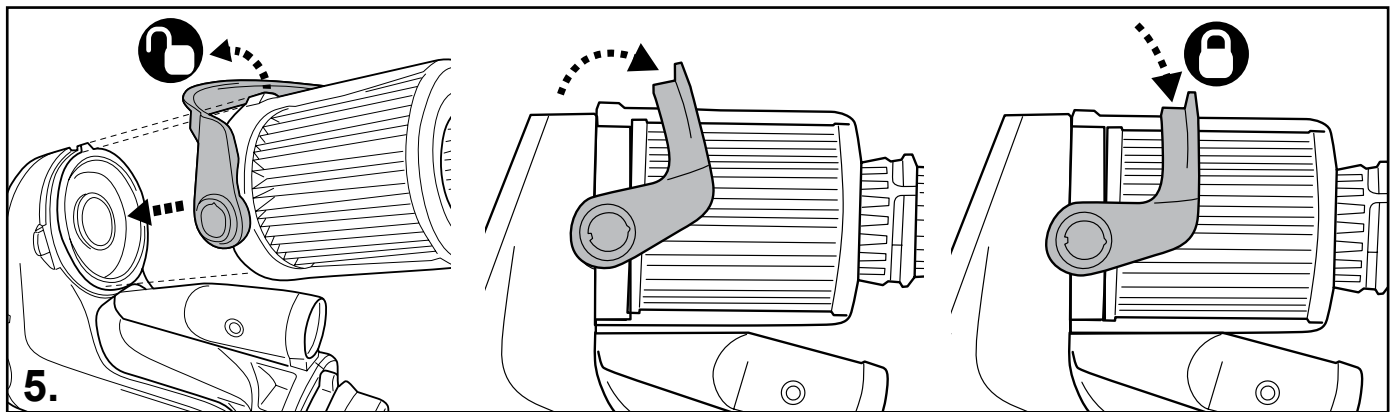
## Instelling voor LEAF-OUT™ en SAND-OUT™ functie

### Reinigen van fijn vuil (met patroonfilter)

Dit is bedoeld voor het opzuigen van fijn vuil (d.w.z. bladeren, zand, fijn stof enz.).



WAARSCHUWING! Draai het schroefdraadventiel niet te vast aan.



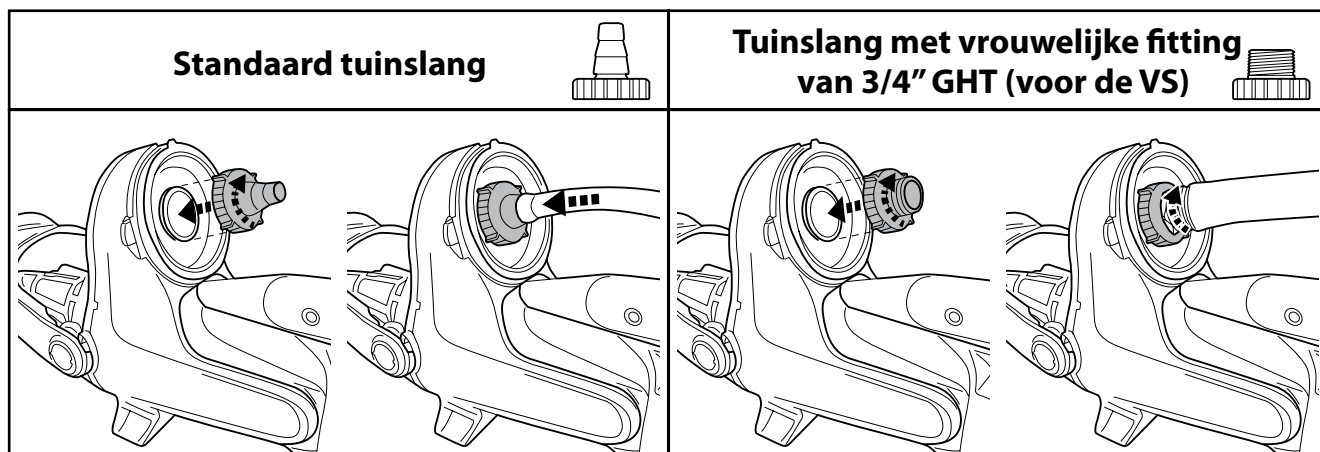
## Instelling voor FLOC-OUT™ functie

### Reinigen van vlokmiddel en slib

(Gebruik deze opstelling alleen voor het reinigen van het vlokmiddel en slib. Gebruik GEEN patroonfilter om vlokmiddel en slib te reinigen, omdat het patroon dan gaat verkleven en de levensduur wordt verkort.)

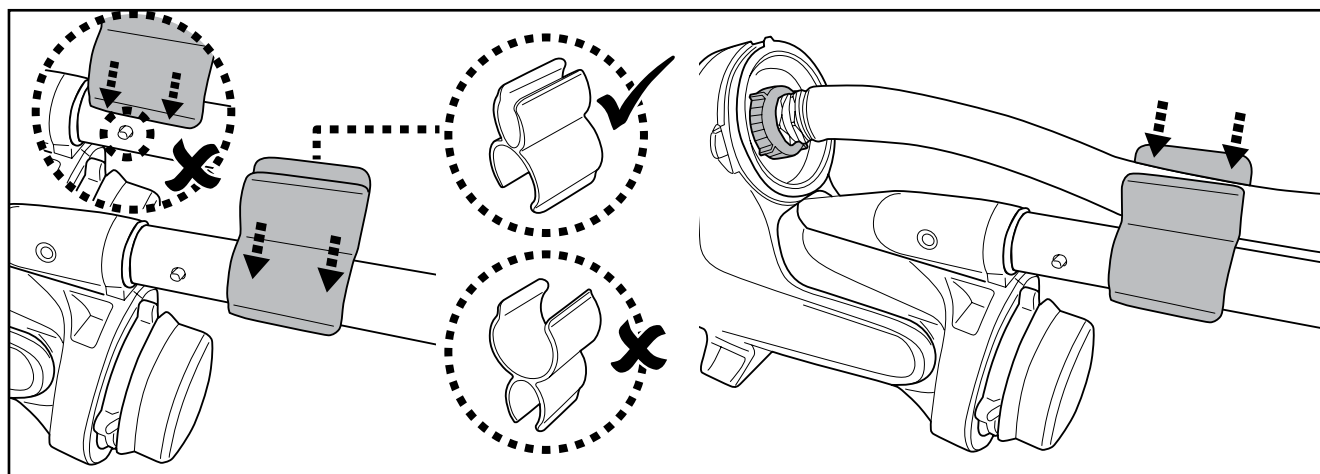
#### 1. Sluit de tuinslang aan.

U hebt een tuinslang nodig (niet meegeleverd) waarvan de lengte ten minste gelijk is aan de afstand van de verste reinigingsplek in uw zwembad tot de plek waar u het water loost.



#### 2. Monteer de telescopische paal volgens de instructies in deze handleiding.

#### 3. Lijn de slang uit op de paal.

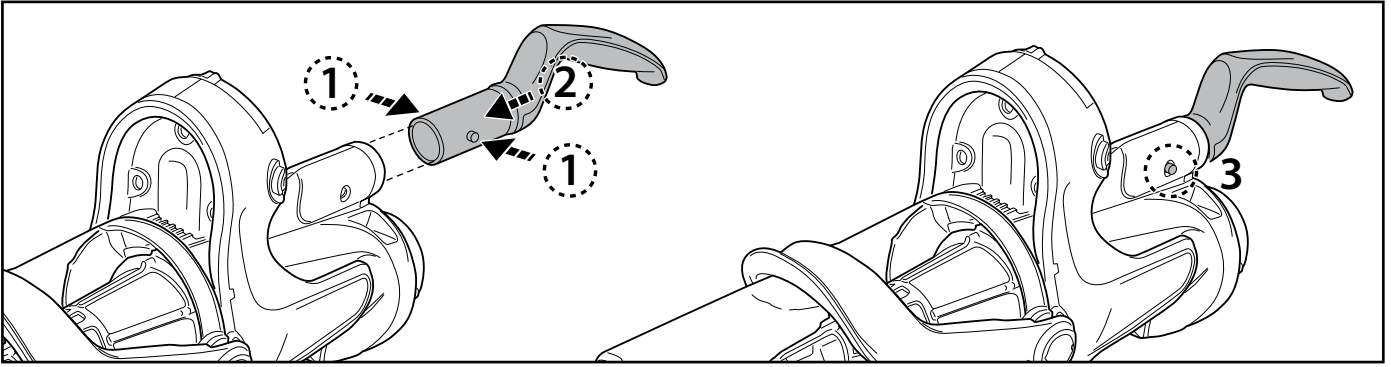


#### TIPS:

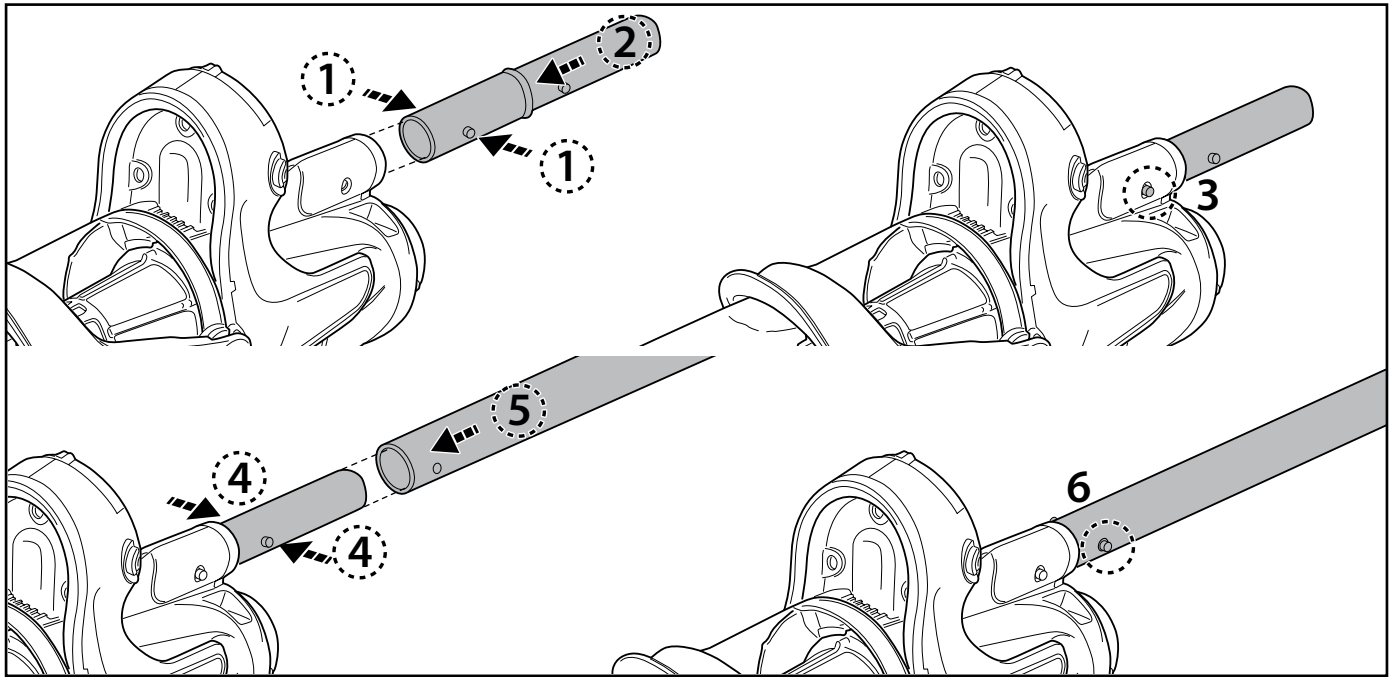
- Om te voorkomen dat het vlokmiddel gaat drijven en niet naar de bodem van het zwembad zinkt, is het raadzaam om de pomp uit te zetten voordat u gaat schoonmaken.
- Om het vlokmiddel op de zwembadbodem te verwijderen, moet u de bij de zwembadstofzuiger geleverde kop gebruiken en de borstel aan de zijkant/hoek van de zuigkop verwijderen.
- Bij het schoonmaken is het belangrijk om voorzichtig en langzaam te werk te gaan om te voorkomen dat het vlokmiddel en het vuil omhoogkomen. U moet een pauze inlassen en wachten tot ze weer naar de oppervlakte zijn gezakt.
- Het kan een aantal stofzuigbeurten duren om alle vlokmiddel en vuil te verwijderen. Laat na de eerste ronde het vuil weer bezinken en herhaal het proces om schoner water te krijgen.



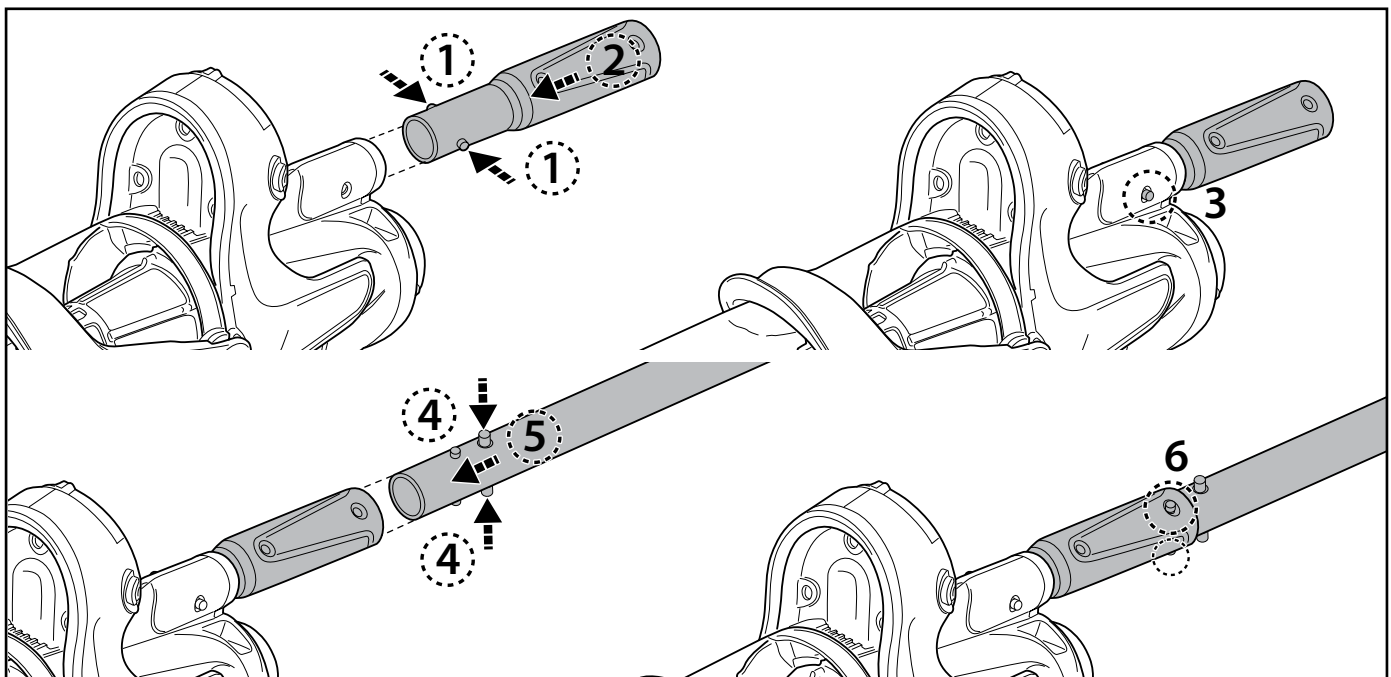
## Gebogen handgreep monteren



## Telescopische paal monteren (niet bijgeleverd) (Alleen voor USA / EU-landen)



## De specifieke uitschuifbare paal monteren (niet bijgeleverd) (Alleen voor Australië / Nieuw-Zeeland)



## **Vorbereiding van het Zwembad**

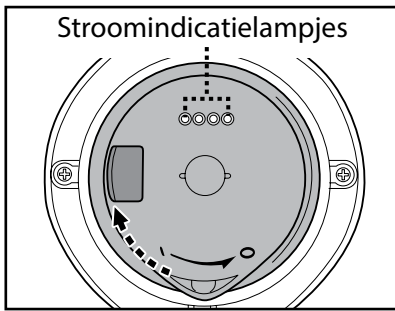
- Verwijder stenen, wortels of metaal corrosie in contact met de onderkant van de liner voordat u de bodemzuiger gebruikt. Laat u indien nodig bijstaan door een gekwalificeerde professional.
- Als de liner broos, beschadigd of gekreukt is, neem dan contact op met een gekwalificeerde professional om de nodige reparatie uit te voeren of om de liner te vervangen voordat u de bodemzuiger gebruikt.
- Als u een zwembad met zout water gebruikt, zorg er dan voor dat al het zout opgelost is voordat u de bodemzuiger in het water plaatst.

## **WERKING**

### **WAARSCHUWING!**

- Zorg ervoor dat de bodemzuiger eerst uitgeschakeld is.
- Gebruik de bodemzuiger niet als hij beschadigd is.
- De smeermiddelen op de O-ring kunnen olievlekken veroorzaken.
- Zorg ervoor dat de bodemzuiger volledig in het zwembad is ondergedompeld voordat u deze begint te gebruiken. Het minimale waterniveau dat nodig is om de bodemzuiger te laten werken, moet boven de AAN/UIT-schakelaar van de bodemzuiger komen wanneer deze in verticale positie wordt gehouden. Het gebruik van de bodemzuiger wanneer deze niet correct is ondergedompeld, kan het apparaat beschadigen en de garantie ongeldig maken.
- Gebruik de bodemzuiger NIET zonder een filterkegel in goede staat. Als u de zuiger gebruikt zonder een filterkegel in goede staat, VERVALT de garantie.
- Laat de bodemzuiger NIET in het water wanneer u hem niet gebruikt.
- Zorg ervoor dat de laadstekker is losgemaakt voordat de bodemzuiger in het water wordt gezet.

- 1) Breng uw bodemzuiger naar de zijkant van uw zwembad/spa. Dompel de bodemzuiger onder in water en draai de stroomschakelknop met de klok mee om de werking te starten.

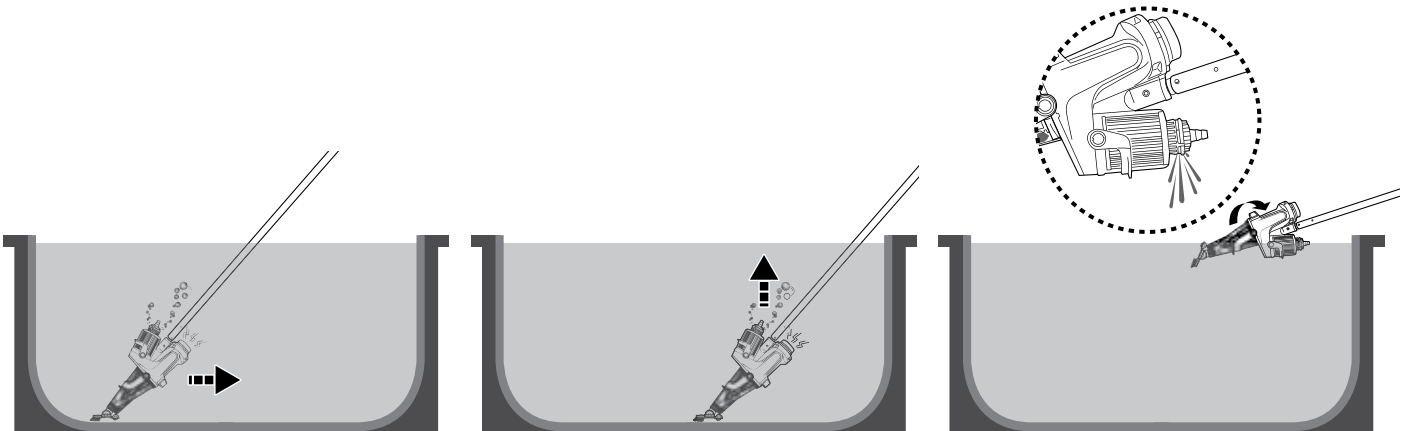


Stroomindicatielampjes:

	4 lichten AAN	Nog 75 minuten.
	Laatste lichtje knippert	Er resteren nog maar 10-15 minuten als het laatste lampje begint te knipperen.

**OPGELET!** Steek de bodemzuiger altijd met de zuigmond naar beneden in het water. Anders kan het koppelstuk voor de steel plooiën en beschadigd geraken.

- 2) Haal de bodemzuiger altijd met de zuigmond naar beneden uit het water en het wordt omgedraaid. Het water zal ontsnappen via de steel, de afvoerlemp op de koker en de bodem van de bodemzuiger. Draai de bodemzuiger zodat de afvoerlemp naar het zwembad gericht staat om het water af te voeren.



**OPGELET!** Haal de bodemzuiger altijd met de zuigmond naar beneden uit het water. Anders kan het koppelstuk voor de steel plooiën en de bodemzuiger beschadigen tijdens het gebruik.

- 3) Spoel de bodemzuiger na elk gebruik met schoon water. Gebruik GEEN schoonmaakmiddelen.

## DE FILTER SCHOONMAKEN

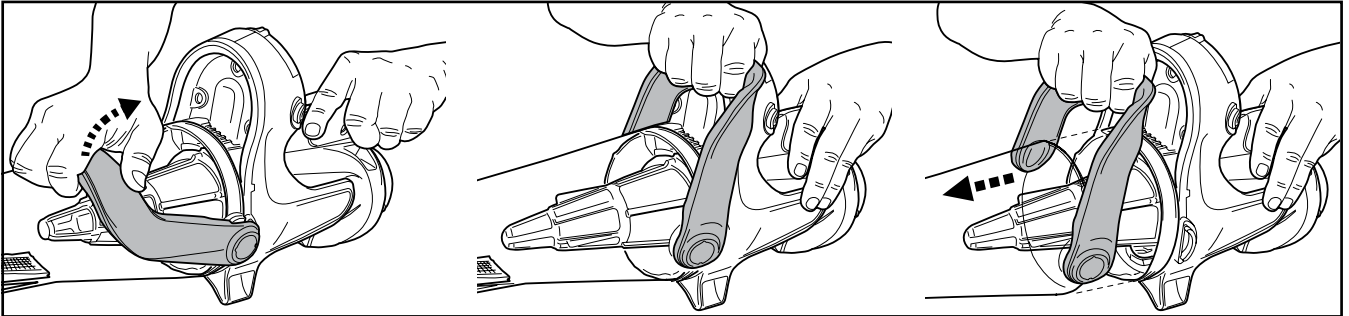
**WAARSCHUWING!** Als u de bodemzuiger gebruikt zonder een filterkegel, VERVALT de garantie.

Maak de patroonfilter /filterkegel voor en na elk gebruik schoon voor een maximale efficiëntie.

**OPGELET!** Als de bodemzuiger aan het laden is, moet u eerst de externe adapter uit het stopcontact halen en de zuiger van de lader halen. Zorg ervoor dat de bodemzuiger eerst uitgeschakeld is.

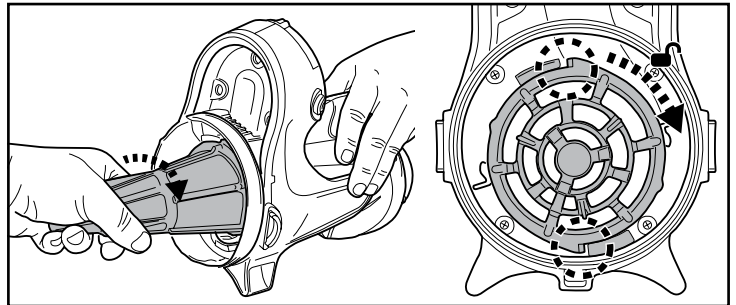
- De filterkegel schoonmaken.

- 1) Leg de bodemzuiger op een stabiele ondergrond.
- 2) Houd de bodemzuiger vast en wrik de hendel van de koker tot het einde omhoog om de zijvergrendelingen volledig los te maken.



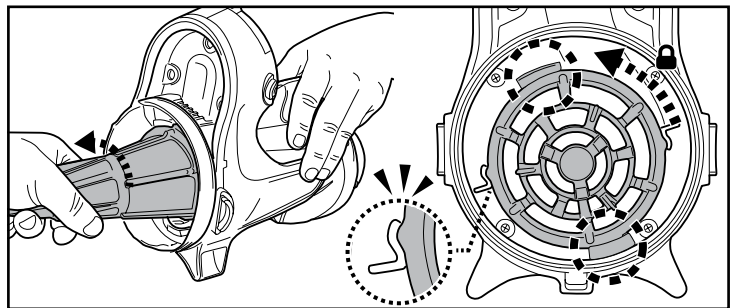
Maak de koker los en draai de filterkegel met de klok mee tot het lipje aan de zijkant uit de inkeping komt. Verwijder de filterkegel uit de reiniger.

**OPGELET!** Vervang een beschadigde filterkegel onmiddellijk door een nieuwe filterzak/filterkegel I, voor u de bodemzuiger weer gebruikt.

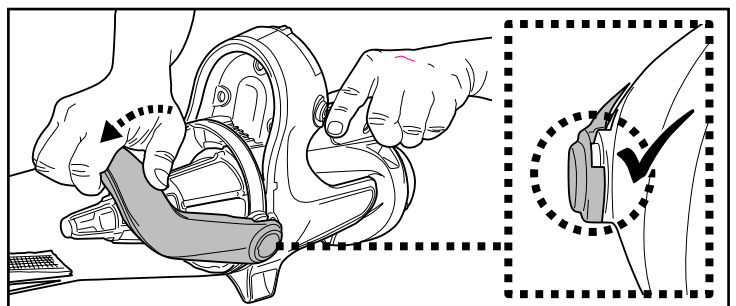


- 3) Verwijder de vuilresten uit de filterkegel en reinig de filterkegel met water. Als dat niet volstaat, kunt u een zachte borstel gebruiken om het vuil voorzichtig te verwijderen.

- 4) Volg de vorige stappen in omgekeerde volgorde om de filterkegel weer in elkaar te zetten. Draai de filterkegel tegen de klok in totdat het zijlipje vastklikt in de inkeping aan beide zijden, zoals afgebeeld. U hoort een "klik"-geluid.



- 5) Lijn de kap uit en monteer hem opnieuw op de bodemzuiger en zorg ervoor dat de hendel volledig op de kap is gedrukt. U zult een "klik" geluid horen.



- De patroonfilter schoonmaken

Volg de instructie in "Instelling patroonfilter" om het patroonfilter te verwijderen.

Controleer alles op beschadigingen en slijtage. Als u beschadigingen of scheuren vindt, is het tijd om het patroon te vervangen.

Het wordt aanbevolen om de patroonfilter na elke reinigingscyclus van het zwembad met een waterstraal te wassen.

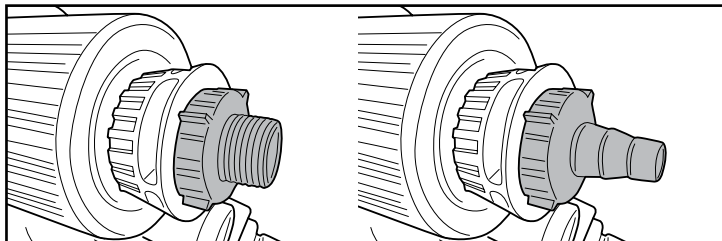
Spuut onder een hoek om het vuil tussen de plooiën van de patroonfilter te verwijderen. Gebruik nooit een hogedrukreiniger, want die beschadigt de patronen.

Als de patroonfilter echt vuil is, laat u het 2-3 uur weken in water met afwasmiddel en spoelt u het daarna af met een waterstraal. Als borstelen noodzakelijk wordt geacht, gebruik dan alleen een zachte borstel om het voorzichtig schoon te maken om schade te voorkomen.

## ONDERHOUD EN OPSLAG

### NB:

- 1) Zorg ervoor dat u de plaatsen rond de laadpoort en de laadpennen na elk gebruik reinigt en droogt om de vorming van vlekken te voorkomen (bijproduct van een natuurlijke chemische reactie tussen elektrische stroom en water). Anders kunnen de vlekken worden verwijderd door licht te schrobben met een in citroensap of azijn gedrenkt wattenstaafje.
- 2) De batterij zal ontladen tijdens de opslag. Laad de bodemzuiger tot ongeveer 30% - 50% van de laadcapaciteit op voordat u hem opbergt.
- 3) Herlaad de batterij minstens om de drie maanden wanneer hij niet in gebruik is.
  - Haal de externe adapter uit het stopcontact en trek het jack van de adapter uit de laadstekker.
  - Verwijder de toebehoren van de bodemzuiger. Spoel de bodemzuiger en de toebehoren indien nodig met schoon water. Gebruik GEEN schoonmaakmiddelen.
  - Laat water leeglopen uit de behuizing, handgreep en telescoopsteel bevestiging.
  - Maak de bodemzuiger en zijn toebehoren schoon met een vochtige doek en droog ze af.
  - Bewaar ze in een goed verluchte ruimte, beschermd tegen zonlicht, hitte, ontstekingsbronnen en zwembadchemicaliën en buiten het bereik van kinderen. De omgevingstemperatuur moet 10°C – 25°C bedragen. NB: bij een hogere temperatuur is het mogelijk dat de batterij minder lang meegaat.
  - Om de slangaansluiting beter op te bergen, kunt u de aansluiting op het patroonventiel schroeven.



## WAARSCHUWING!

- Probeer op geen enkele manier om de bodemzuiger te demonteren.
- Probeer nooit om de bodemzuiger te demonteren om zelf de rotor, de motor of de batterij te vervangen.

### OPGELET!

- Overdreven hitte kan schadelijk zijn voor de batterij en haar levensduur verkorten.
- Raadpleeg uw handelaar voor het vervangen van de batterij als het volgende gebeurt:
  - De batterij lijkt beschadigd of laadt niet volledig op.
  - De werkingstijd van de batterij is aanzienlijk korter. Noteer hoelang de batterij meegaat de eerste keren dat u het toestel gebruikt (na een volledige oplaadbeurt). Die duur kan dienen als referentie voor de werkingstijd van oudere batterijen.
- Verwijder de batterij uit de bodemzuiger voor u deze wegwerpt.
- Koppel de bodemzuiger los van het elektriciteitsnet wanneer u de batterij verwijdert.
- Voer de batterij veilig af, in overeenstemming met de plaatselijke voorschriften of reglementen.

**NB:** Wanneer de batterij niet correct wordt onderhouden, is het mogelijk dat zij minder lang meegaat en minder goed werkt.

## **DE BATTERIJ WEGWERPEN** ( Uit te voeren door een geautoriseerd technicus )

De bodemzuiger is uitgerust met een onderhoudsvrije, oplaadbare lithium-ionaccu, die u correct moet afvoeren. Recycling is verplicht; neem contact op met de plaatselijke overheid voor meer informatie.

### **WAARSCHUWING!** Probeer nooit een accu te demonteren.

- Verwijder alle persoonlijke voorwerpen, zoals ringen, armbanden, halsbanden en horloges, wanneer de accu losgekoppeld is van de bodemzuiger.
- Een batterij kan voldoende kortsluitstroom veroorzaken om een ring of dergelijke te versmelten met het metaal, met ernstige brandwonden als gevolg.
- Draag volledige oogbescherming, handschoenen en beschermende kleding wanneer u de accu verwijdert.
- Raak de kabels niet aan en zorg ervoor dat ze geen metalen voorwerpen raken, want dat kan vonken veroorzaken en/of kortsluiting in de batterij.
- Rook niet en vermijd vonken of vlammen in de nabijheid van de batterij of de bodemzuiger.
- Stel de batterij niet bloot aan vuur of hitte, anders kan hij ontploffen.

### **OPGELET!**

Wanneer er vloeistof uit de batterij lekt, is deze beschadigd. Raak de vloeistof niet aan en steek de beschadigde batterij in een plastic zak.

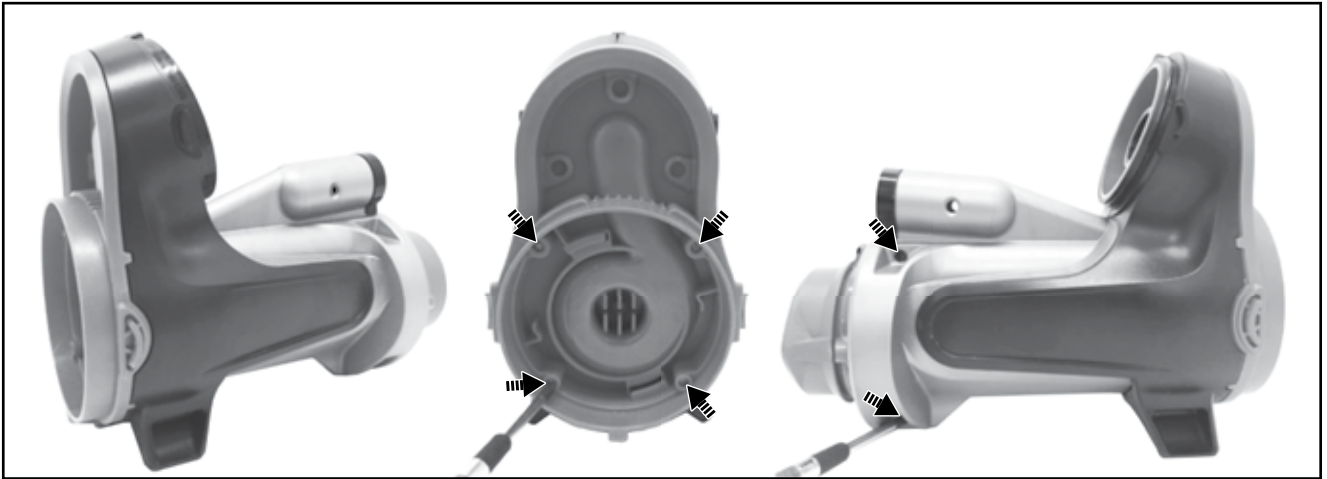
- Als de gelekte vloeistof toch in contact komt met huid of kleding, moet u deze onmiddellijk afwassen met zeep en water.
- Als de gelekte vloeistof in contact komt met de ogen: de ogen onmiddellijk spoelen met stromend water gedurende minstens 15 minuten, zonder te wrijven. Raadpleeg indien nodig een arts.



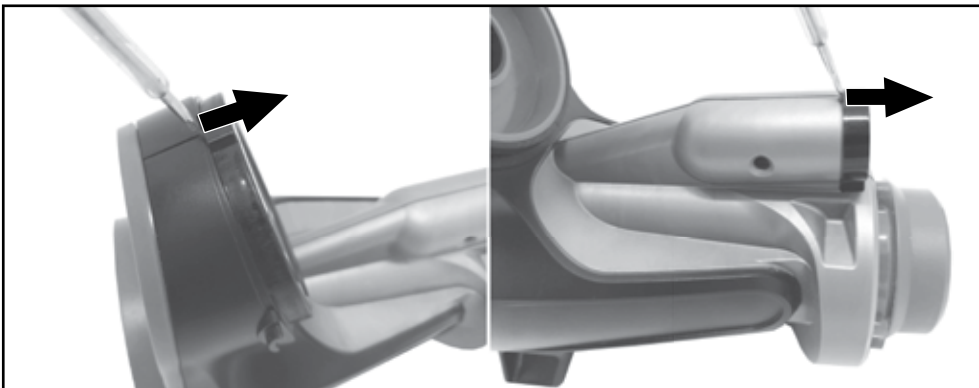
**Hoe de accu te verwijderen, enkel voor het weggooien van de batterij** (Uit te voeren door een geautoriseerd technicus)

Aanbevolen gereedschap (niet inbegrepen): Platkop- en Phillips-schroevendraaier.

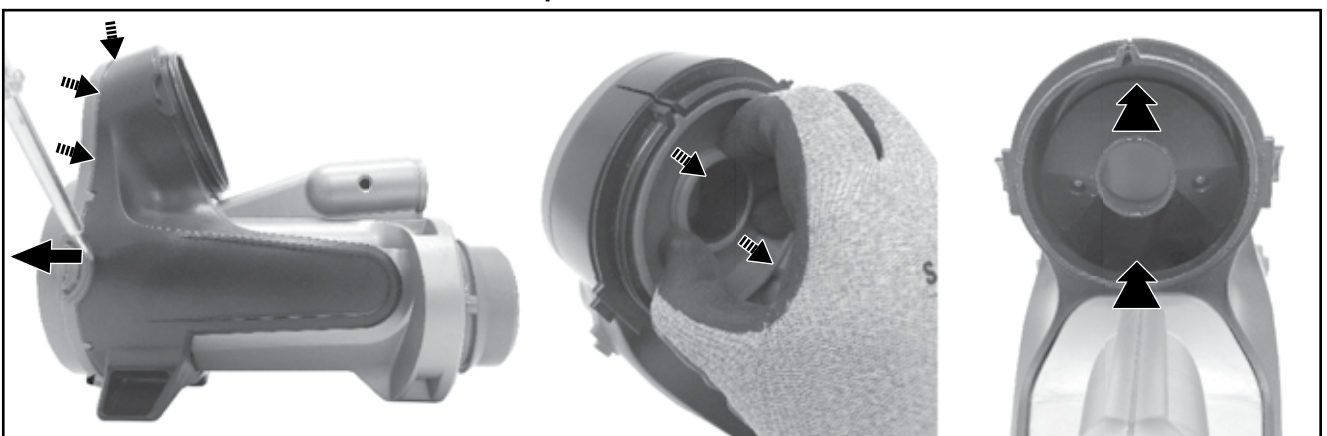
- 1) Volg de bovenstaande instructies om de kap en de filterkegel los te maken. Gebruik een Philips-schroevendraaier om de schroeven aan de voor- en zijkant los te draaien zoals afgebeeld.



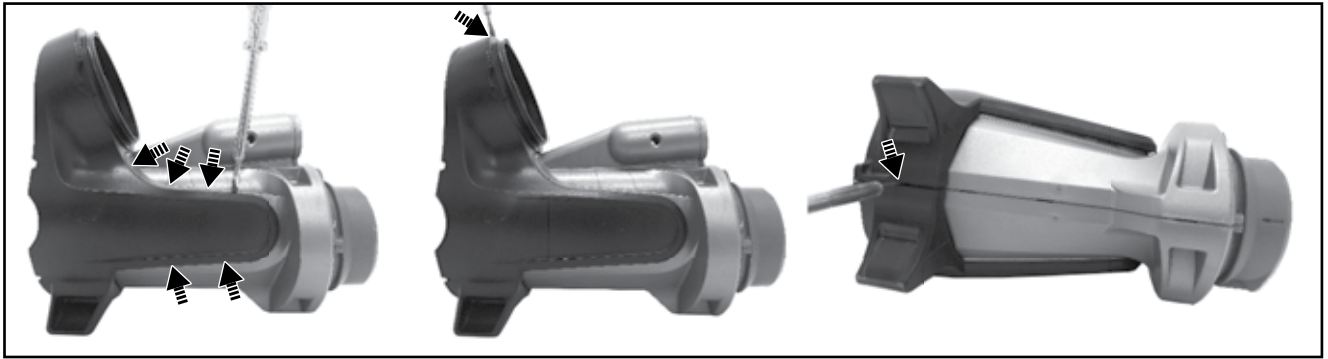
- 2) Gebruik een platkopschroevendraaier om de ring aan de bovenkant en het uiteinde los te wrikken zoals afgebeeld. Als het moeilijk los te wrikken is, gebruik dan een kniptang om ze door te knippen.



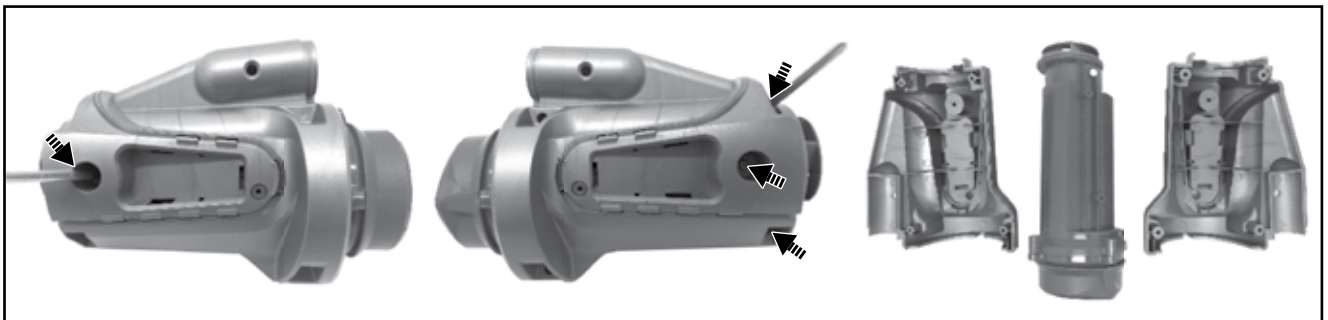
- 3) Gebruik een platkopschroevendraaier om langs de naad achter het voorpaneel te wrikken. Trek de binnenste afdekking naar buiten. Gebruik als dat nodig is een tangsleutel om de binnenste afdekking los te maken. Duw het paneel naar achteren om het hele voorpaneel los te maken.



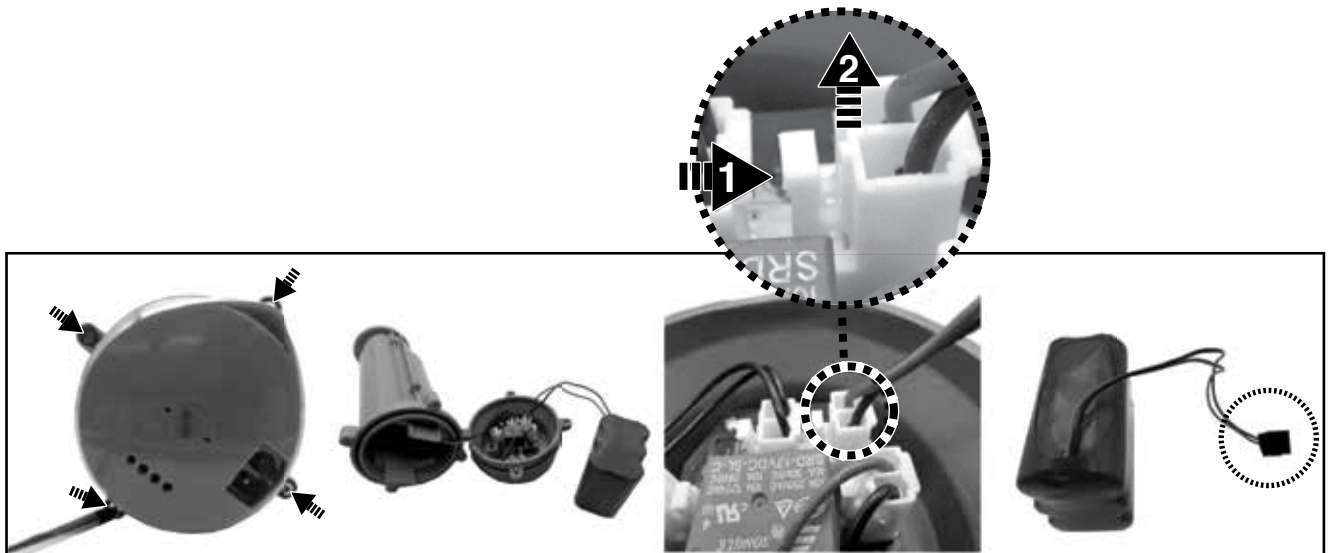
- 4) Wrik met een platkopschroevendraaier langs de naad om beide zijpanelen los te maken.





- 5) Draai de schroeven aan de voor- en zijkant los zoals afgebeeld. Maak beide helften van de behuizing los om de bedieningseenheid bloot te leggen.



- 6) Draai de schroeven los en open de kap. Trek de batterij naar buiten en zoek de kabelconnector. Druk op de clip van de kabelconnector en maak hem los. **OPMERKING:** Wikkel de connector van de batterij onmiddellijk in met isolatietape om kortsluiting door contact van beide draadaansluitingen te voorkomen.



# PROBLEMEN OPLOSSEN

Probleem	Mogelijke oorzaken	Oplossing
De bodemzuiger zuigt geen vuil op	De batterij is bijna leeg	Laad de batterij op.
	De rotor is geblokkeerd	Schakel de bodemzuiger uit en kijk in de opening in het midden van de bodemzuiger of er een groot stuk vuil in de waaier steekt. Is dat het geval, probeer het dan heel voorzichtig te verwijderen met een klein werktuig. Neem indien nodig contact op met uw handelaar voor verdere instructies. <b>LET OP!</b> Controleer of de stofzuiger uitgeschakelt is tijdens reparatie / onderhoud.
	De waaier is defect	Neem contact op met uw handelaar om de waaier te laten vervangen.
	De koker is vol	Maak de koker leeg.
	De filterkegel is verstopt door fijne deeltjes	Maak het filternet schoon. Als borstelen nodig is, gebruik dan alleen een zachte borstel om de filterkegel voorzichtig schoon te maken.
	Het patroonfilter is vol	Volg de reinigingsinstructies om het patroon te reinigen.
Er komt vuil uit de koker	De zuigmondklep is stuk	De zuigmondklep werkt als een deur die voorkomt dat het vuil uit de koker ontsnapt. Vervang door een nieuwe zuigmondklep.
Er komt vuil in de filterkegel terecht	De filterkegel is beschadigd	Vervang door een nieuwe filterkegel.
Er ontsnapt fijn vuil uit de bodemzuiger	Het patroonfilter is stuk	Vervang door een nieuw patroonfilter.
Telescopische paal / gebogen handgreep aansluiting kan niet worden bevestigd in de montage	Zijpin op paal / gebogen handgreep aansluiting is kapot	Vervang deze door een nieuwe poolaansluiting / gebogen handgreep.
De bodemzuiger laadt niet op	De batterij is beschadigd	Neem contact op met uw handelaar om de batterij te laten vervangen. <b>LET OP!</b> Open de bodemzuiger NIET om de batterij zelf te vervangen. Dat kan ernstige of dodelijke verwondingen veroorzaken en annuleert de garantie.
	Laadstekker is niet correct aangesloten op externe adapter en zwembadstofzuiger	Raadpleeg de handleiding en sluit de oplaadaccessoires correct aan.
	De externe adapter is defect	Neem contact op met uw handelaar om de adapter te laten vervangen. <b>LET OP!</b> Als u de verkeerde externe adapter gebruikt, kan de bodemzuiger/batterij beschadigd raken en vervalt de garantie.
De bodemzuiger beweegt niet soepel	Het wiel zit vast	Verwijder het vuil uit het wiel.
De oplaadtijd is langer dan geadverteerd	Bevlekte oplaadpennen	De vlekken kunnen worden verwijderd met een wattenstaafje gedrenkt in sap van citroen of azijn om de gebieden rond de oplaadpennen schoon te maken.
De werkingstijd is korter dan verwacht	De batterij is niet volledig opgeladen	Laad de bodemzuiger minstens 6 uur op. <b>OPMERKING:</b> als er vlekken worden aangetroffen op de pinnen van de oplaadpennen, verwijder deze dan met een wattenstaafje dat is gedrenkt in citroensap of azijn.
<b>Milieuprogramma's, Europese AEEA-richtlijn</b>		
	Gelieve de regelgeving van de Europese Unie na te leven en zo het milieu te beschermen. Voer afgedankte elektrische apparatuur af naar een speciaal gemeentelijk inzamelpunt dat elektrische en elektronische apparatuur correct recyclet. Werp het niet weg bij ongesorteerd afval. Haal eventuele verwijderbare batterijen uit de afgedankte apparatuur.	
	Alle rechten voorbehouden. Niets van dit document mag worden vernenigvuldigd of doorgegeven in welke vorm of op welke wijze dan ook, zij het elektronisch, mechanisch, op fotokopie, opgenomen of op enige andere wijze, zonder de voorafgaande schriftelijke toestemming van Kokido Development Ltd. (L-23011001)	

Als een kopie van deze handleiding vereist is, neem dan contact op met onze klantenservice via e-mail: [customerservice@kokido.com](mailto:customerservice@kokido.com)

## BEWAAR DEZE HANDLEIDING


**Precisazione: A seconda del modello che possiedi, gli accessori/parti mostrati in questo manuale non sono necessariamente inclusi in ogni modello.** Il prodotto/le parti in foto/disegni possono variare a seconda del modello acquistato. Controlla il disegno delle parti di ricambio per capire le parti incluse nel tuo modello acquistato.

## **AVVERTENZE DI SICUREZZA & ISTRUZIONI**

Le informazioni contenute in questo Manuale di Istruzioni vi aiuteranno a far funzionare l'oggetto in sicurezza, a proteggere voi stessi e gli altri da pericoli e a prevenire danni al dispositivo e ad altri beni.

### **CONSERVARE LE PRESENTI ISTRUZIONI**

#### **ATTENZIONE!**

- Questo non è un giocattolo. I bambini devono essere tenuti lontani da questo aspiratore per piscina e dai suoi accessori.
- Non permettere ai bambini di usare questo aspiratore per piscina.
- Il presente apparecchio non deve essere utilizzato da persone con ridotte capacità fisiche, sensoriali o mentali o se privi di esperienza e conoscenza, salvo siano soggetti a supervisione o se gli sono state fornite istruzioni inerenti all'uso dell'apparecchio da parte di un responsabile incaricato della loro sicurezza.
- Non è consentito ai minori di giocare con questo aspiratore per piscina.
- Non è consentita ai minori la manutenzione e la pulizia del aspiratore per piscina.
- Assicurarsi che l' aspiratore e per piscina sia completamente immerso nella piscina prima di avviare il funzionamento. Il livello minimo dell'acqua richiesto per azionare l'aspirapolvere della piscina deve coprire l'intera aspirazione della piscina. L'utilizzo dell'aspiratore per piscina quando non è immerso correttamente potrebbe danneggiare l'unità e invalidare la garanzia.
- Massima profondità di utilizzo: 3m.
- Massima temperatura di utilizzo: da 5°C (41°F) a 42°C (107.6°F).
-  Unità di alimentazione rimovibile (adattatore esterno).
- L'aspiratore per piscina deve essere ricaricato solo con l'adattatore esterno e la spina di ricarica forniti con questo prodotto.
- Per ricaricare la batteria, utilizzare solo l'unità di alimentazione rimovibile fornita con questo pulitore per piscina per caricare la batteria.
- Collegare l'adattatore esterno a una presa elettrica tramite il dispositivo differenziale (RCD)/ un interruttore di messa a terra (GFCI). In caso di dubbi, consultare un elettricista professionista qualificato.
- Non utilizzate il aspiratore per piscina se risulta danneggiato.
- Sostituire le parte danneggiate con altre dotate dell'apposita certificazione che è stata fornita dal distributore o fabbricante.

- Spegnere l'alimentatore, scollegare l'adattatore dall'alimentatore, e scollegare l'adattatore esterno dalla spina di ricarica prima di staccare il aspiratore per piscina apparecchio dalla spina di ricarica.
- Scollegare l'aspiratore della piscina dalla rete di alimentazione e assicurarsi che l'aspiratore della piscina sia spento prima di eseguire la manutenzione regolare, come la pulizia del filtro e pin di ricarica.
- Non tentare di sostituire la batteria ricaricabile agli ioni di litio installata.
- NON maneggiare il aspiratore per piscina, l'adattatore esterno e la spina di ricarica mentre è in carica con arti bagnati e senza scarpe.
- Assicurarsi che i bambini non tentino di accedere all'aspirapolvere per piscina durante il suo funzionamento.
- Non utilizzare questo aspiratore per piscina dell'apparecchio se priva di cono del filtro in posizione, altrimenti la garanzia verrà annullata immediatamente.
- Rischio di intrappolamento: il aspiratore per piscina funziona in aspirazione, non permettere a nessuna parte del corpo o agli indumenti di prendere contatto con la bocca di aspirazione del aspiratore per piscina durante l'utilizzo.
- Non inserite parti del corpo, vestiti o altri oggetti all'interno delle aperture o delle parti in movimento del aspiratore per piscina.
- NON utilizzare questo aspiratore per piscina per raccogliere sostanze tossiche, infiammabili e liquidi combustibili (ad es. Benzina) in presenza di fumi esplosivi o infiammabili.
- Non tentare di sostituire la girante, il motore e la batteria da soli.
- Non inserire mai le dita né altri oggetti per toccare la ventola.
- La batteria integrata deve essere rimossa da un tecnico qualificato prima di essere scaricata.
- Quest' aspiratore per piscina contiene una batteria che dev'essere rimossa soltanto da personale qualificato.
- L'aspiratore per piscina deve essere disconnesso dall'alimentazione principale quando la batteria viene rimossa.
- Per i dettagli relativi al riciclaggio / smaltimento della batteria, consultare la sezione "SMALTIMENTO DELLA BATTERIA" in questo manuale e contattare le autorità locali per ulteriori informazioni.
- La batteria dev'essere smaltita in modo sicuro, secondo quanto stabilito dalle ordinanze e i regolamenti locali.
- Adattatore esterno e spina di ricarica:
  - Utilizzare l'adattatore esterno e la spina di ricarica unicamente per ricaricare il pacco batterie del aspiratore per piscina consegnato con la fornitura.
  - L'adattatore esterno e la spina di ricarica non devono essere usati all'aperto né esposti a pioggia, umidità, qualsiasi tipo di liquido o calore.



- Il trasformatore (o adattatore esterno) dev'essere collocato fuori dalla zona 1.
- Mettere l'adattatore esterno e il spina di ricarica fuori dalla portata dei bambini.
- Non utilizzate l'adattatore esterno e il spina di ricarica se sono danneggiati.
- Non maneggiate l'adattatore esterno e il spina di ricarica con le mani bagnate.
- NON maneggiare il aspiratore per piscina, l'adattatore esterno e la spina di ricarica mentre è in carica con arti bagnati e senza scarpe.
- Tenete l'adattatore disconnesso dalla rete elettrica quando non è in uso.
- Non tentate mai di aprire l'adattatore esterno e il spina di ricarica.
- Se il cavo di alimentazione dell'adattatore esterno è danneggiato, l'adattatore esterno deve essere sostituito dal produttore o dal suo agente di servizio per evitare rischi di qualsiasi genere.
- Accertarsi che il aspiratore per piscina e il spina di ricarica siano completamente asciutti prima di iniziare la ricarica.

#### **ATTENZIONE!**

- Questo aspiratore per piscina è stato progettato per essere utilizzato solamente sott'acqua; non è un aspiratore per piscina universale. Non utilizzate il aspiratore per piscina se non per pulire la vostra piscina o SPA.
- Utilizzate solamente gli accessori originali di corredo al prodotto.
- Non utilizzare il aspiratore per piscina immediatamente dopo un trattamento shock. Si raccomanda di lasciare circolare l'acqua della piscina per almeno 24/48 ore.
- Se usi una piscina con acqua salata, accertati che tutto il sale si sia dissolto prima di collocare il aspiratore per piscina nell'acqua.
- Non è raccomandato l'uso del aspiratore per piscina contemporaneamente a un altro aspiratore per piscina automatico/aspiratore per piscina.
- Evitare di raccogliere oggetti pesanti e a punta con questo prodotto. Possono danneggiare il aspiratore per piscina e il suo filtro.
- Fate attenzione quando pulite le scale della piscina.
- Per evitare danni all'adattatore esterno e alla spina di ricarica, non trasportare il aspiratore per piscina dal cavo dell'adattatore esterno/spina di ricarica né tirare la corda per disconnetterlo dalla fonte di alimentazione e dalla spina di ricarica.
- Caricare il aspiratore per piscina in un'area interna asciutta e pulita con una buona ventilazione e con una temperatura ambiente dai 5 ai 30°C.
- Non lasciate il aspiratore per piscina in carica per più di 10 ore.
- Se il aspiratore per piscina non viene utilizzato per un lungo periodo, scollegatelo dal spina di ricarica e utilizzate un panno umido per pulire e asciugare il aspiratore per piscina e i suoi accessori. Accertarsi di portare la capacità della batteria del aspiratore per piscina tra il 30% e il 50% prima di conservarlo. Riponete il aspiratore per piscina in un area ben ventilata lontano dalla luce del sole, dal calore, dai prodotti chimici e dai bambini.

**Le avvertenze e precauzioni che precedono non sono intese a comprendere tutti i possibili rischi e/o lesioni.** I proprietari di piscine/spa dovranno avere una speciale attenzione e usare il buon senso comune durante l'uso del prodotto.



# PER INIZIARE

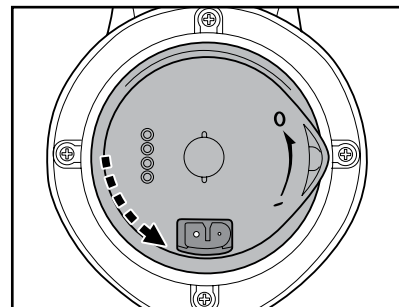
## Caricare la batteria

NOTA IMPORTANTE: Caricare completamente il aspiratore e per piscina (circa 6 ore) prima di usarlo per la prima volta.

### ATTENZIONE!

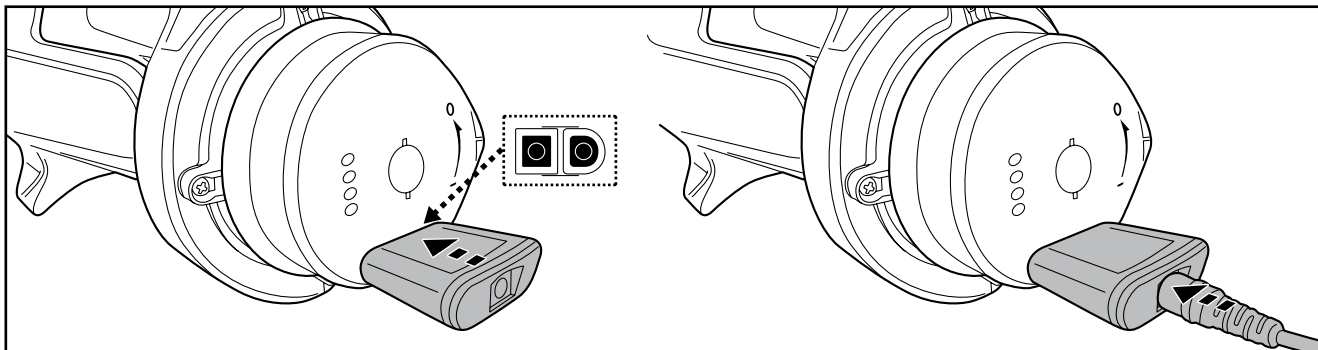
- Usare soltanto l'adattatore esterno originale e la spina di ricarica fornito.
- Accertarsi che il pulitore e la porta di carica sono puliti ed asciutti prima dell'installazione e della ricarica. (SUGGERIMENTI: utilizzare un cotton fioc per asciugare la porta di ricarica e i perni di ricarica).
- La carica deve essere effettuata in casa, in una zona ben areata, lontano da luce solare, bambini, fonti di calore, combustibili, e con una temperature ambiente compresa tra 5°C e 30°C.
- Non usare mai l'adattatore esterno e il spina di ricarica se sono danneggiati.
- I pin di ricarica sono impermeabili. Tuttavia, i resti d'acqua nel porto e attorno ai pin di ricarica potrebbero provocare la presenza naturale di macchie (un sottoprodotto della reazione chimica tra acqua e correnti elettriche). Altrimenti, le macchie possono essere rimosse strofinando leggermente con un batuffolo di cotone imbevuto di succo di limone o aceto.
- Assicurarsi che il aspiratore per piscina sia spento prima di ricaricarlo.

1. Posizionare l'unità su una superficie piatta e uniforme. Impostare il pulitore per piscina in modalità Spegnimento / Ricarica ruotando la manopola di commutazione in senso antiorario finché non scatta ed espone completamente la porta di ricarica.

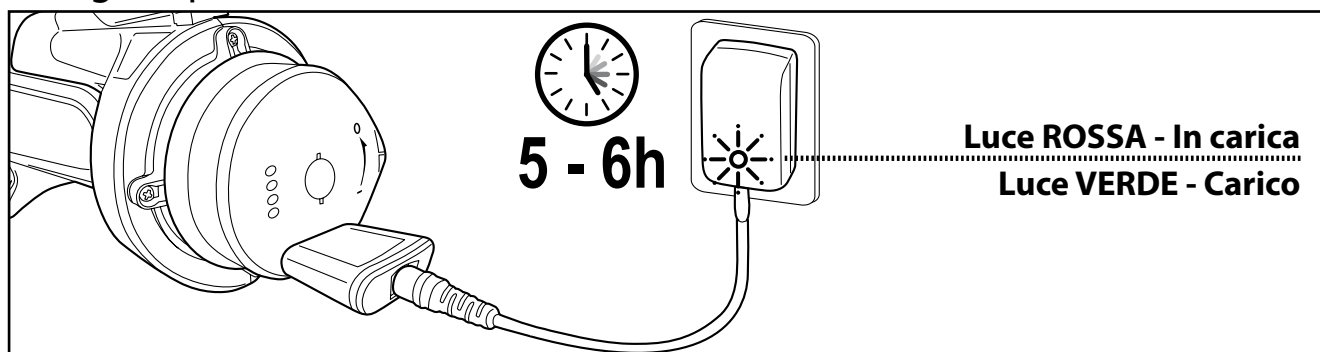


2. Allineare e collegare la spina di ricarica alla porta di ricarica.

**ATTENZIONE!** Assicurarsi di non invertire la spina di ricarica e assicurarsi che sia la spina che la porta di ricarica siano pulite e asciutte prima di caricarle. SUGGERIMENTI: usa un batuffolo di cotone per asciugare la porta di charging e i perni. Collegare il cavo di ricarica dell'adattatore esterno alla presa di ricarica.



3. Collegare il cavo di ricarica dell'adattatore esterno all'alimentatore. La luce dell'indicatore esterno si accenderà di rosso quando il pulitore è in carica e di verde quando sarà completamente carico. Caricalo per 5- 6 ore per ottenere le migliori prestazioni.



NOTA: se il motore è rumoroso, spegnere l'unità posizionando la manopola di commutazione sulla posizione di spegnimento/modalità di ricarica.

- Spegnere e disconnettere immediatamente l'adattatore esterno dalla fonte di alimentazione se si verifica una delle seguenti condizioni:
    - Odore sgradevole o insolito
    - Calore eccessivo
    - Deformazione, rotture, fughe
    - Fumo
4. Quando la ricarica è completa, disconnettere l'adattatore esterno dalla fonte di alimentazione e scollegare la spina di ricarica dall'adattatore esterno e dall'unità.

Normalmente, il aspiratore per piscina può operare fino a 75 minuti se ha una carica completa (caricato per 5-6 ore).

NOTA: Pulire regolarmente il filtro a cartuccia /cono del filtro. Detriti eccessivi all'interno del filtro a cartuccia /cono del filtro aumentano il carico per il funzionamento del motore e di conseguenza riducono la durata operativa.

**IMPORTANTE:** la batteria ricaricabile agli ioni di litio è classificata come un articolo di consumo. Ha una durata di vita limitata e perderà gradualmente la sua capacità di mantenere la carica. Pertanto, la durata di funzionamento del aspiratore per piscina si ridurrà gradualmente dopo ripetute cariche ed utilizzi.

Una volta terminata la vita utile della batteria, leggere la sezione "SMALTIMENTO DELLA BATTERIA" per ottenere istruzioni per lo smaltimento della batteria.

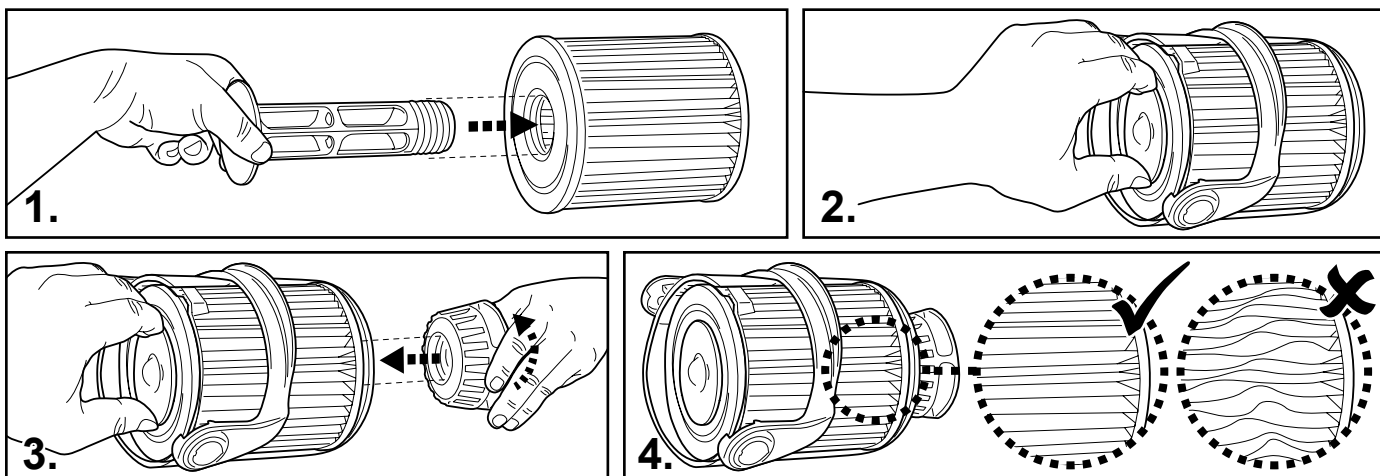
**NOTA:** Lasciare riposare il aspiratore per piscina da 30 a 40 minuti prima di ricarcarlo di nuovo.

## Montaggio prima dell'uso

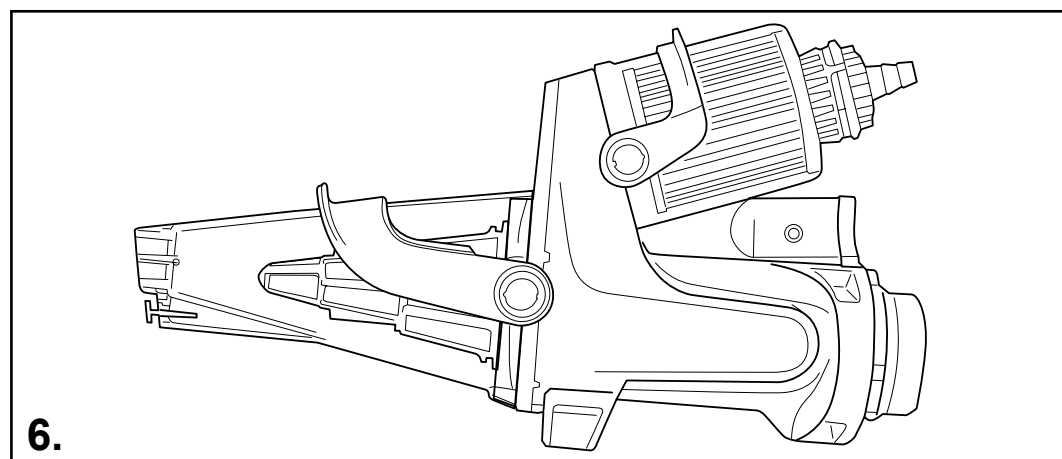
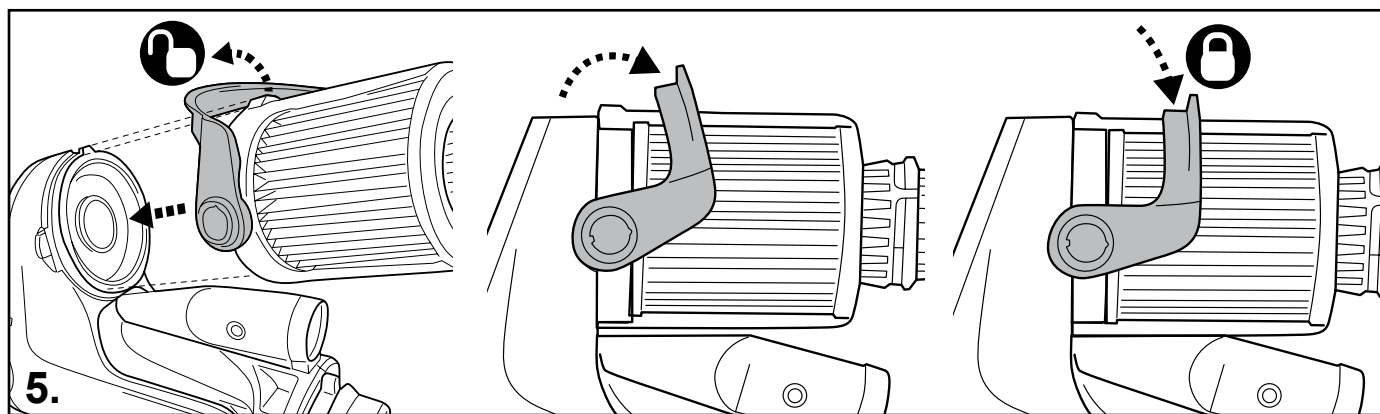
Questo aspiratore per piscina è dotato di un filtro a cono per la pulizia di detriti generici come foglie e particelle più grandi sul fondo della piscina. Filtro a cartuccia aggiuntivo e adattatore per tubo da giardino per la pulizia di detriti fini, limo e flocculante.

### Configurazione della funzione LEAF-OUT™ e SAND-OUT™ Pulizia dei detriti fini (con filtro a cartuccia)

È destinato alla raccolta di detriti fini (ad es. foglie, sabbia, polvere fine, ecc.).



ATTENZIONE! Non serrare eccessivamente la valvola filettata.



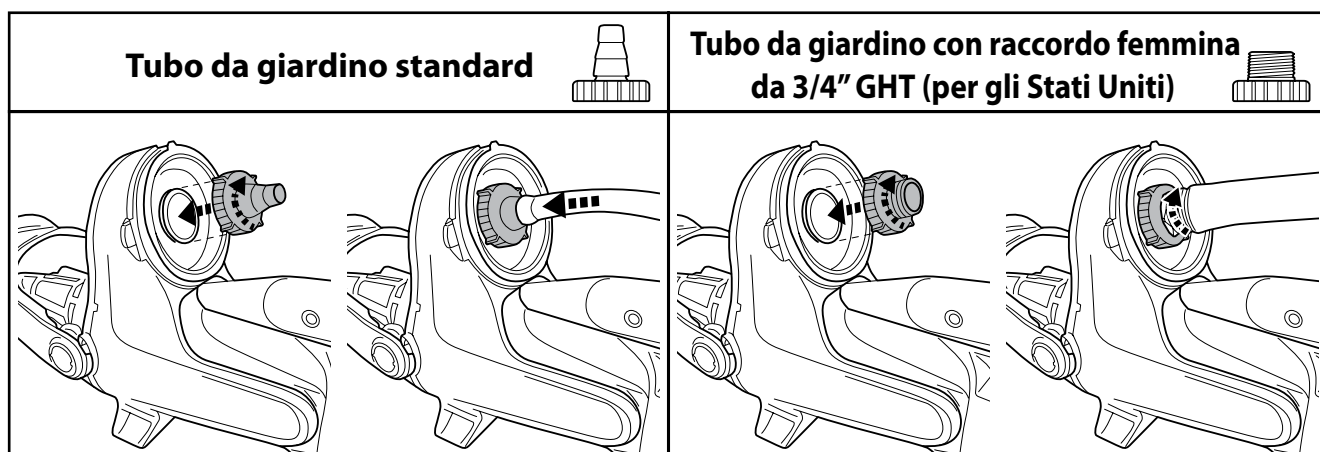
## Configurazione della funzione FLOC-OUT™

### Pulizia del flocculante e del limo

(Utilizzare questa configurazione solo per la pulizia del flocculante e del limo. NON utilizzare il filtro a cartuccia per pulire il flocculante e il limo, poiché la cartuccia si inceppa e riduce la sua durata d'uso)

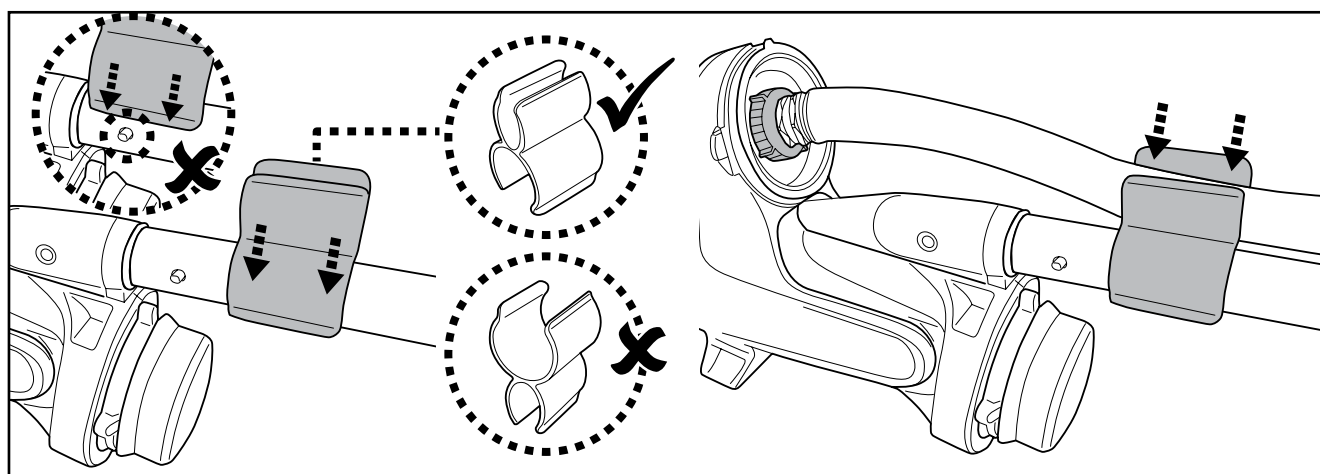
#### 1. Collegare il tubo da giardino.

È necessario un tubo da giardino (non incluso) di lunghezza almeno pari alla distanza tra il punto di pulizia più lontano della piscina e il punto di scarico dell'acqua.



#### 2. Assemblare l'asta telescopica come indicato in questo manuale.

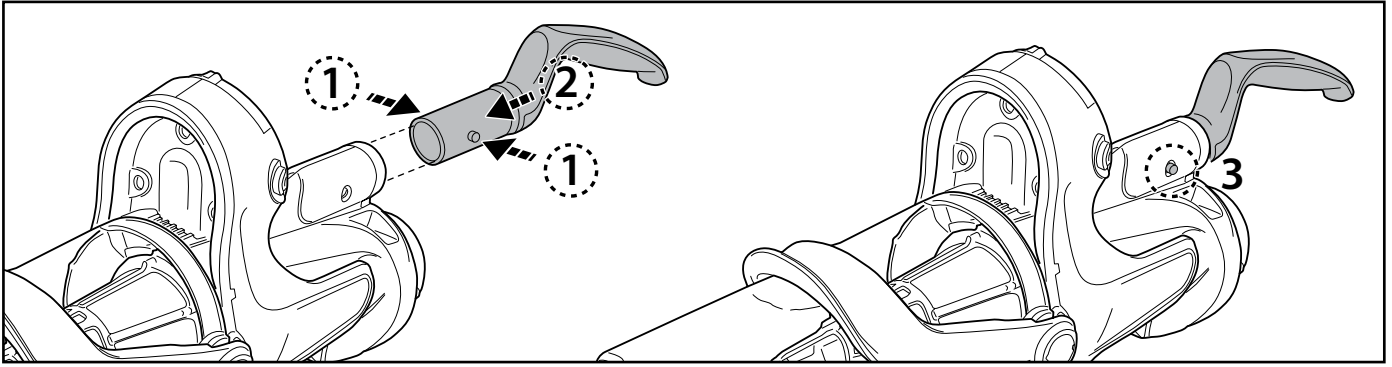
#### 3. Allineare il tubo all'asta.



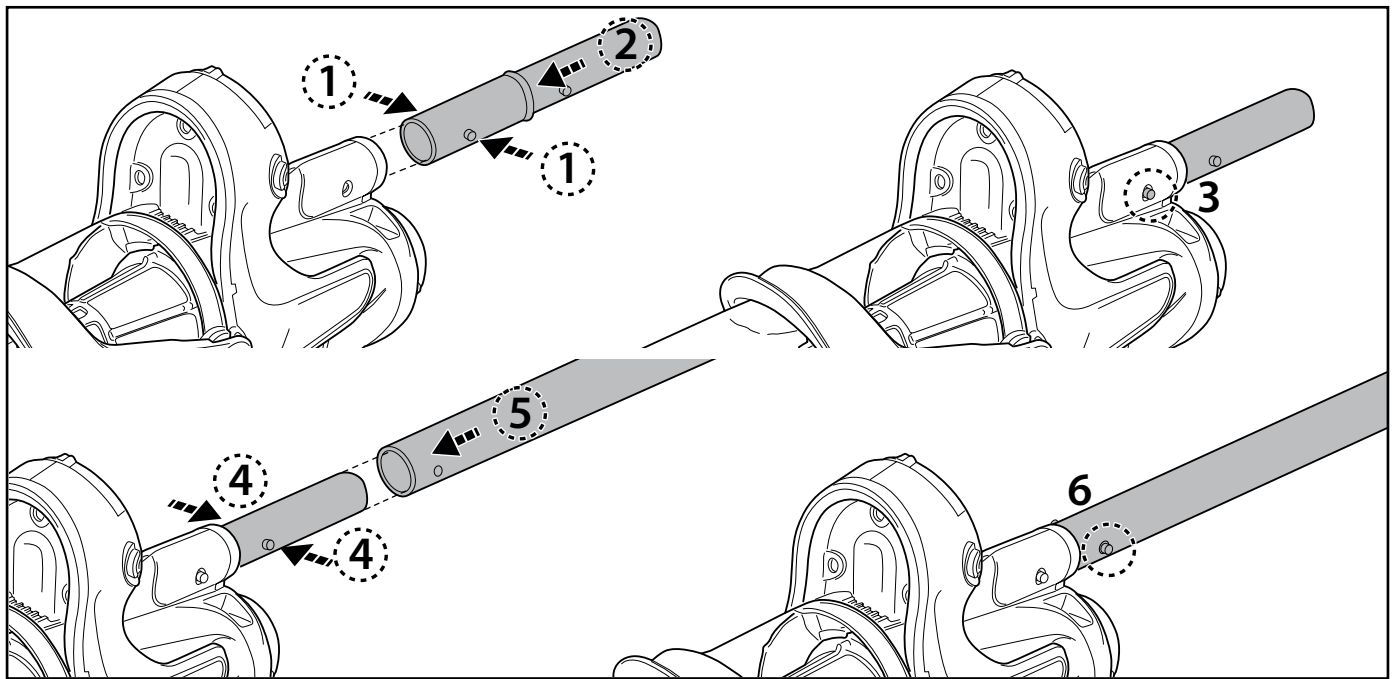
#### SUGGERIMENTI:

- Per evitare che il flocculante galleggi e non affondi sul fondo della piscina, è consigliabile spegnere la pompa prima della pulizia.
- Per rimuovere il flocculante dal fondo della piscina, è necessario utilizzare la testa fornita con l'aspiratore e rimuovere la spazzola sul lato/angolo della testa di aspirazione.
- Durante la pulizia, è importante lavorare con attenzione e lentamente per evitare di smuovere il flocculante e i detriti. È necessario fare una pausa e attendere che si depositino nuovamente.
- Potrebbero essere necessari diversi cicli di aspirazione per rimuovere tutto il flocculante e i detriti. Dopo il primo ciclo, lasciare che i detriti affondino di nuovo e ripetere il processo per ottenere altra acqua pulita.

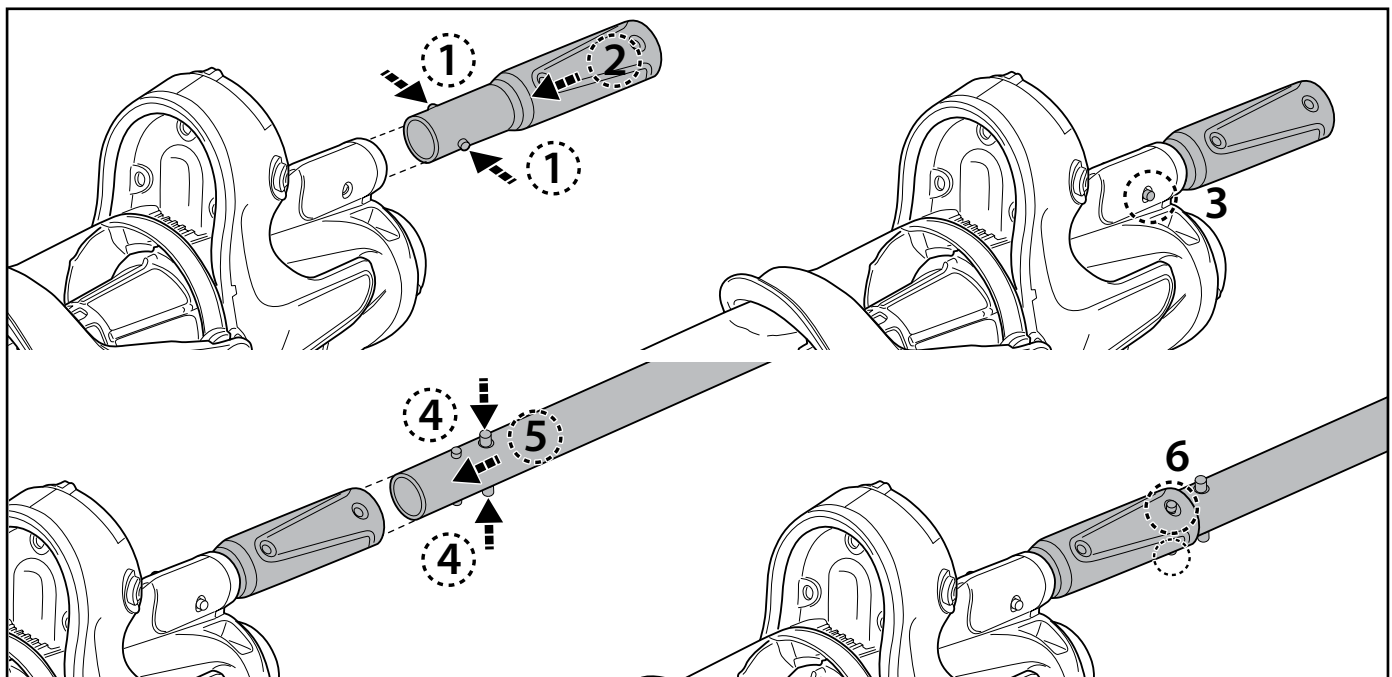
### Assemblaggio della maniglia curva



### Assemblaggio del manico telescopico (non incluso) (Solo per USA / EU)



### Assemblaggio palo telescopico specifico (non incluso) (Solo per Australia/Nuova Zelanda)



## **Preparazione della piscina**

- Se ci sono pietre, radici o materiali soggetti a corrosione metallica a contatto con il fondo della piscina, eliminarli prima di usare il aspiratore per piscina. Se necessario, richiedere l'aiuto di un professionista qualificato.
- Se il rivestimento è usurato, danneggiato o grinzoso, contattare un professionista qualificato per l'esecuzione delle riparazioni necessarie o procedere alla sostituzione del rivestimento prima di usare il aspiratore per piscina.
- Se usi una piscina con acqua salata, accertati che tutto il sale si sia dissolto prima di collocare il aspiratore per piscina nell'acqua.

## **FUNZIONAMENTO**

### **ATTENZIONE!**

- Accertarsi previamente che il aspiratore per piscina sia spento.
- No utilice la aspiratore per piscina si detecta algún daño.
- Potrebbero esserci macchie di olio dovute a perdite di lubrificante dagli O'ring.
- Assicurarsi che l'aspiratore per piscina sia completamente immerso nella piscina prima di avviare il funzionamento. Il livello minimo dell'acqua richiesto per azionare l'aspiratore per piscina deve oltrepassare l'interruttore di accensione / spegnimento dell'aspiratore per piscina quando esso è tenuto in posizione verticale. L'utilizzo dell'aspiratore per piscina quando non è immerso correttamente potrebbe danneggiare l'unità e invalidare la garanzia.
- Utilizzare il aspiratore per piscina SOLO SE il cono del filtro è integro e ben inserito. Usare il aspiratore per piscina se il cono del filtro non è inserito correttamente comporta l'ANNULLAMENTO della garanzia.
- NON lasciare il aspiratore per piscina in acqua quando non viene utilizzato.
- Assicurarsi che il spina di ricarica sia scollegato prima di mettere in funzione l'aspiratore per piscina.



- 1) Situare l'aspiratore per piscina a lato della piscina / spa. Immergere l'aspiratore in acqua e girare la manopola di accensione in senso orario per avviare il funzionamento.

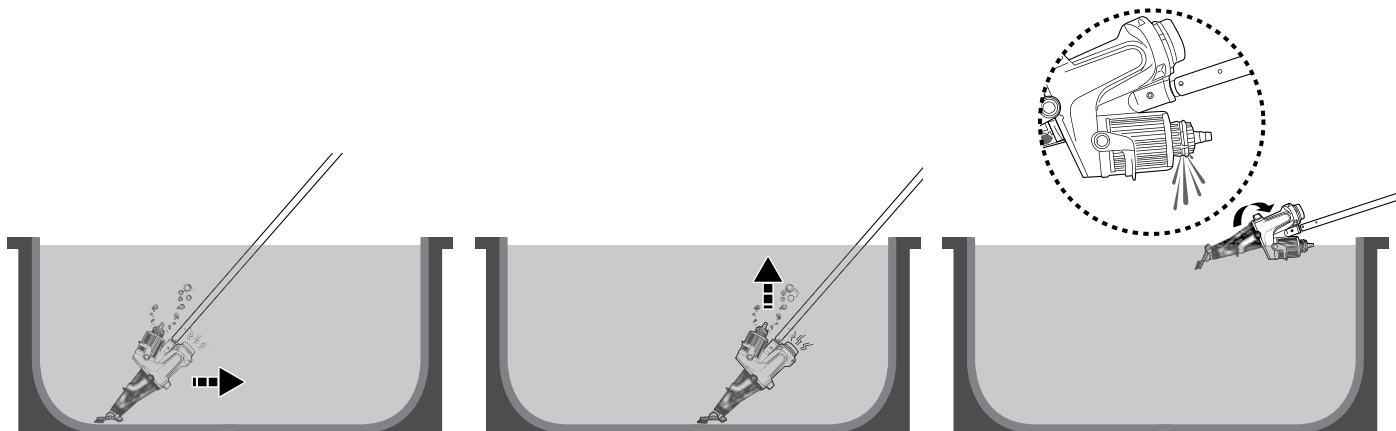


Indicatori luminosi di alimentazione:

	4 luci ACCESE	Fino a 75 minuti rimanenti.
	L'ultima luce lampeggia	Rimangono solo 10-15 minuti di utilizzo quando l'ultima luce inizia a lampeggiare.

**ATTENZIONE!** Assicurarsi che il aspiratore per piscina sia sempre rivolto verso il basso quando viene messo in piscina, altrimenti il connettore potrebbe piegarsi e danneggiarsi durante l'utilizzo.

- 2) Per estrarre il aspiratore per piscina dalla piscine o dalla SPA, ribaltare l'aspirapolvere della piscina , sollevare l'aspiratore, tenendolo rivolto verso il basso. L'acqua fuoriesce attraverso il manico, la valvola di scarico sul contenitore e il fondo dell'aspiratore per piscina. Girare l'aspiratore per piscina in modo che la valvola di scarico sia rivolta verso la piscina per scaricare l'acqua.



**ATTENZIONE!** Assicurarsi che il aspiratore per piscina sia sempre rivolto verso il basso, quando viene rimosso dalla piscina, altrimenti i connettori possono piegarsi e il aspiratore per piscina si può rovinare.

- 3) Sciacquare il aspiratore per piscina con acqua pulita dopo ogni utilizzo. NON usare detersivi.

## PULIZIA DELLA FILTRO

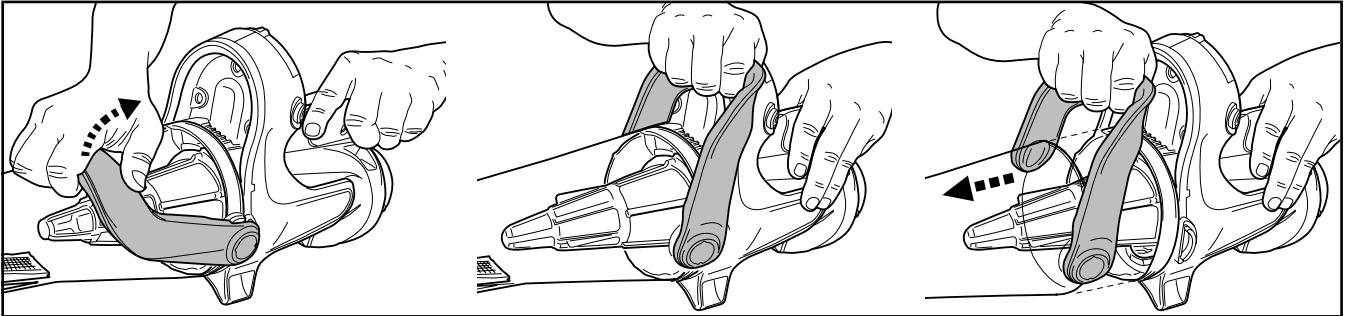
**ATTENZIONE!** Usare il aspiratore per piscina senza il cono del filtro annulla la garanzia.

Per ottimizzare le prestazioni di pulizia, pulire il filtro a cartuccia /cono del filtro prima e dopo ogni utilizzo.

**Attenzione!** Se il aspiratore per piscina si sta caricando disconnettere l'adattatore esterno dalla rete elettrica e togliere il aspiratore per piscina dalla spina di ricarica. Accertarsi previamente che il aspiratore per piscina sia spento.

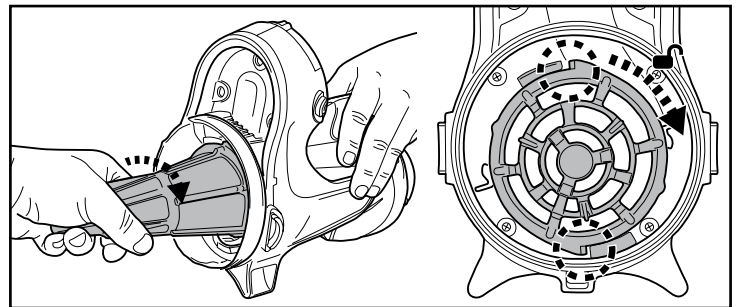
- Pulizia della cono del filtro

- 1) Posizionare il aspiratore per piscina su una superficie piana.
- 2) Tenere l'aspiratore per piscina e premere la leva del contenitore fino alla fine per rilasciare completamente le chiusure laterali.



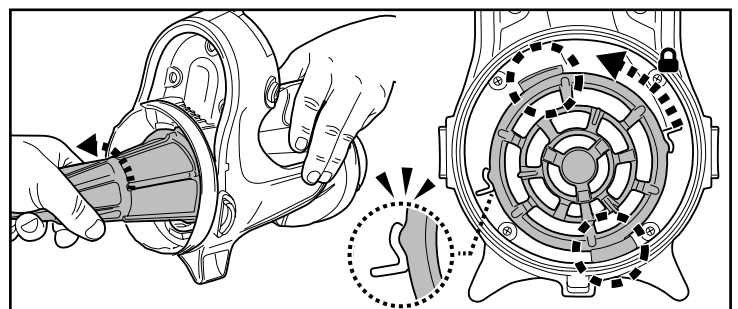
Staccare il contenitore e ruotare il cono del filtro in senso orario finché la linguetta laterale non esce dalla tacca. Rimuovere il cono del filtro dal pulitore.

**ATTENZIONE!** Sostituire immediatamente il cono del filtro danneggiato, prima di riutilizzare il aspiratore per piscina.

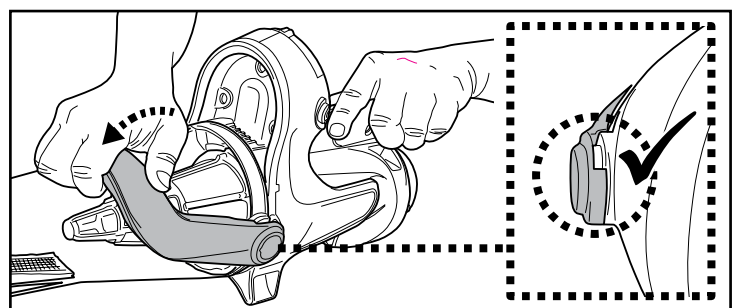


- 3) Rimuovere lo sporco e sciacquare cono del filtro con acqua. Se è strettamente necessario spazzolare, usare solamente una spazzola morbida per pulire il cono del filtro delicatamente e con cura.

- 4) Invertire i passaggi precedenti per rimontare il cono del filtro. Ruotare il cono del filtro in senso antiorario fino a quando la sua linguetta laterale è fissata all'interno della tacca su entrambi i lati, come mostrato. Si sentirà un "click".



- 5) Allineare e rimontare la cappa all'aspiratore della piscina e assicurarsi che la leva sia completamente spinta verso il basso nella cappa. Si sentirà un "click".



- Pulizia della filtro a cartuccia

Seguire le istruzioni in "Impostazione del filtro a cartuccia" per staccare il filtro a cartuccia.

Ispezionare tutto l'insieme per individuare eventuali danni e usura. Se si rilevano danni o strappi, è il momento di sostituire la cartuccia.

Si consiglia di lavare il filtro a cartuccia con un getto d'acqua dopo ogni ciclo di pulizia della piscina.

Lo spruzzo deve essere angolato per eliminare anche i detriti nascosti tra le pieghe della filtro a cartuccia.

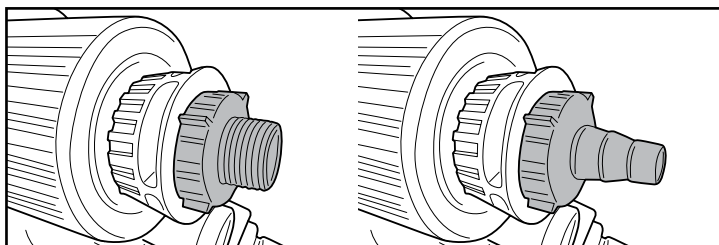
Non usare mai uno spruzzo ad alta pressione perché danneggerebbe le cartucce.

Se la filtro a cartuccia è molto sporca, immergerlo in acqua con detergente per 2-3 ore, dopodichè risciacquarlo con un getto d'acqua.

## MANUTENZIONE & STOCCAGGIO

### NOTE:

- 1) Assicurati di aver pulito e asciugato le aree limitrofe alla porta di ricarica e ai pin di ricarica dopo ogni utilizzo per evitare la formazione di macchie (sottoprodotto di una reazione chimica naturale tra corrente elettrica e acqua). Diversamente, le macchie possono essere rimosse strofinando leggermente con un batuffolo di cotone imbevuto di succo di limone o aceto.
- 2) La Batteria si scarica da sè durante il periodo di stoccaggio. Accertarsi di portare la capacità della batteria del aspiratore per piscina tra il 30% e il 50% prima di conservarlo.
- 3) Si deve ricaricare la batteria almeno una volta ogni tre mesi quando non è in utilizzo.
  - Disconnettere l'adattatore esterno dalla presa di corrente e quindi riconnettere il jack dell'adattatore dalla spina di ricarica..
  - Staccare gli accessori dall'aspiratore della piscina. Se necessario, risciacquare l'aspiratore della piscina e gli accessori con acqua fresca. Tassativo, **NON UTILIZZARE ALCUN DETERGENTE.**
  - Assicurarsi di drenare l'acqua dall'unità, dalla maniglia e dal polo di connessione.
  - Utilizzare un panno umido per pulire ed asciugare l'aspiratore della piscina ed i relativi accessori.
  - Provvedere ad uno stoccaggio in un'area ben ventilata ed al riparo dalla luce solare, dal calore, da materiale infiammabile e da prodotti chimici e fuori dalla portata dei bambini. La temperatura dell'ambiente di stoccaggio deve essere compresa tra i 10°C – 25°C. NB: una temperatura più elevata può ridurre il ciclo di vita della batteria durante lo stoccaggio stesso.
  - Per organizzare meglio il connettore del tubo flessibile in fase di stoccaggio, avvitare il connettore sulla valvola a cartuccia.



## ATTENZIONE!

- Mai tentare in alcun modo di smontare il aspiratore per piscina.
- In nessun caso si deve tentare di smontare il aspiratore per piscina e rimontare in autonomia la girante, il motore e la batteria.

### ATTENZIONE!

- Un calore eccessivo può danneggiare la batteria e ridurre la sua durata.
- Consultare il proprio rivenditore per la sostituzione della batteria se si verifica una delle seguenti condizioni:
  - La batteria appare danneggiata o non si ricarica completamente.
  - Il tempo di funzionamento della batteria è notevolmente ridotto. Osservare e registrare i tempi di funzionamento delle prime attività (a ricarica completa). Usare questi tempi come punto di riferimento per compararli con i tempi di funzionamento di batterie più vecchie.
- La batteria deve essere rimossa dall'aspiratore della piscina prima dello smaltimento/rottamazione.
- L'aspiratore della piscina deve essere disconnesso dalla rete di alimentazione prima di rimuovere la batteria.
- La batteria deve essere smaltita con cura ed in sicurezza, in accordo con le legislazioni ed i regolamenti locali vigenti.

**NB:** Una manutenzione non appropriata può ridurre il ciclo di vita della batteria ed intaccare le sue capacità.

# **SMALTIMENTO DELLA BATTERIA** ( Da eseguirsi solo da parte di un tecnico autorizzato )

L'aspiratore della piscina della batteria è una confezione contenente una batteria a LITIO-ION ricaricabile che non richiede manutenzione e che deve essere smaltita in maniera appropriata. Il riciclo è obbligatorio: si prega di contattare l'autorità locale in materia per informazioni in proposito.

## **ATTENZIONE!** Mai tentare di smontare il kit batteria.

- Togliere tutti gli oggetti personali come ad esempio anelli, braccialetti, collane ed orologi quando il kit batteria è disconnesso dall'aspiratore della piscina.
- Una batteria può produrre un breve corto circuito sufficientemente forte da saldare un anello (od un oggetto simile) al metallo, provocando gravi ustioni.
- Indossare una protezione completa per gli occhi, guanti ed un abbigliamento di sicurezza appropriato durante la rimozione del kit batteria.
- Evitare di toccare tutti i cavi contemporaneamente ed evitare di consentire un contatto tra i cavi ed un oggetto di metallo poichè si possono provocare scintille o corto circuiti.
- Mai fumare o avvicinare fonti di scintille o fiamme in prossimità della batteria o dell'aspiratore della piscina.
- Non esporre la batteria al fuoco o ad alte fonti di calore poichè possono provocare un'esplosione.

## **ATTENZIONE!**

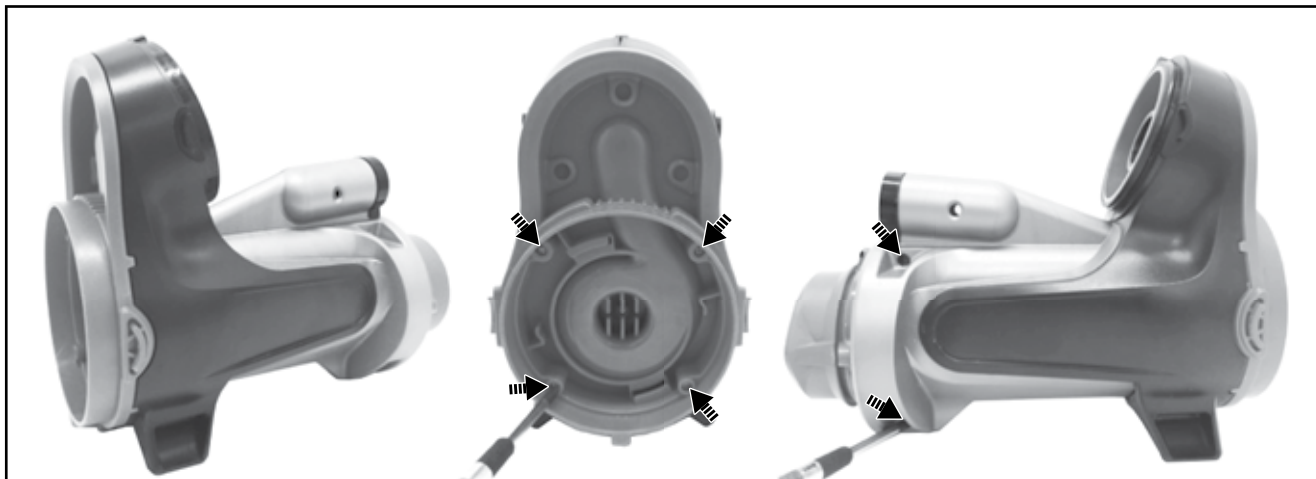
Se una batteria presenta una perdita, evitare il contatto con i liquidi fuoriusciti e posizionare la batteria danneggiata in una borsa di plastica.

- Se i liquidi fuoriusciti vanno in contatto con pelle o vestiti, lavare immediatamente con sapone ed acqua abbondanti.
- Se i liquidi fuoriusciti vanno in contatto con occhi, sciacquare immediatamente gli occhi sotto acqua corrente fresca per almeno 15 minuti e non sfregarli assolutamente. Ricorrere ad un'appropriata assistenza medica il prima possibile.

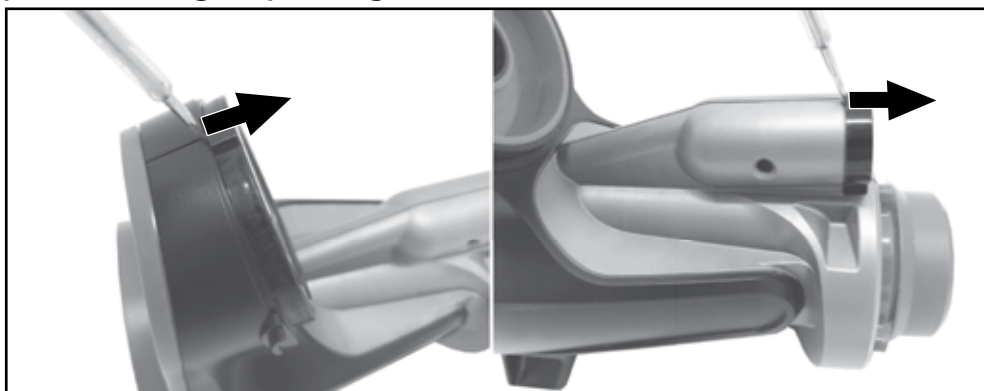
**Come rimuovere il pack batteria solo per lo smaltimento della batteria** (Da eseguirsi solo da parte di un tecnico autorizzato)

Strumenti consigliati (non inclusi): Un cacciavite piatto e Phillips.

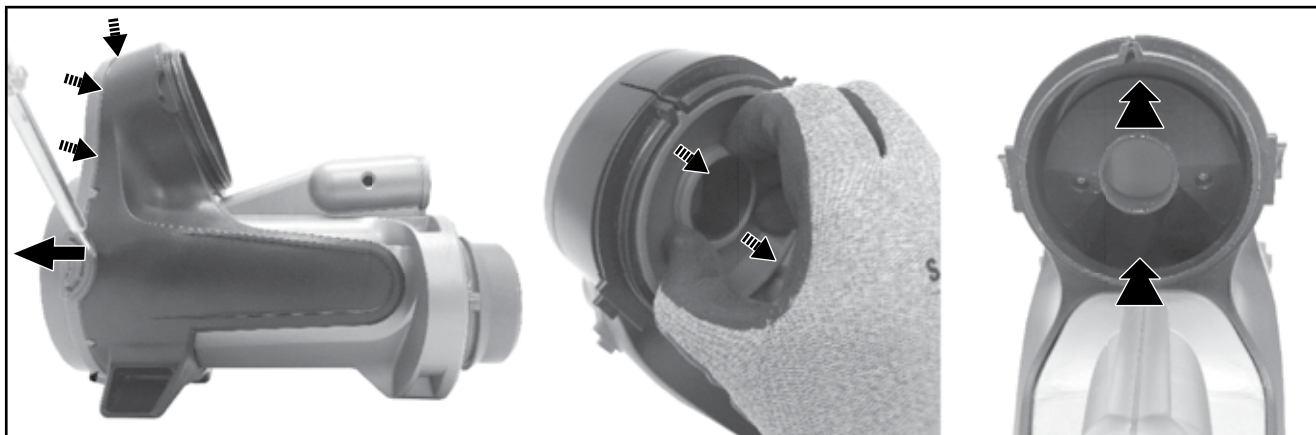
- 1) Seguire le istruzioni di cui sopra per staccare la calotta e il cono del filtro. Utilizzare un cacciavite Philips per allentare le viti sulla parte anteriore e laterale, come illustrato.



- 2) Utilizzare un cacciavite piatto per fare leva e staccare l'anello sulla parte superiore e sull'estremità, come mostrato. Se è difficile fare leva, utilizzare una pinza da taglio per tagliarli.

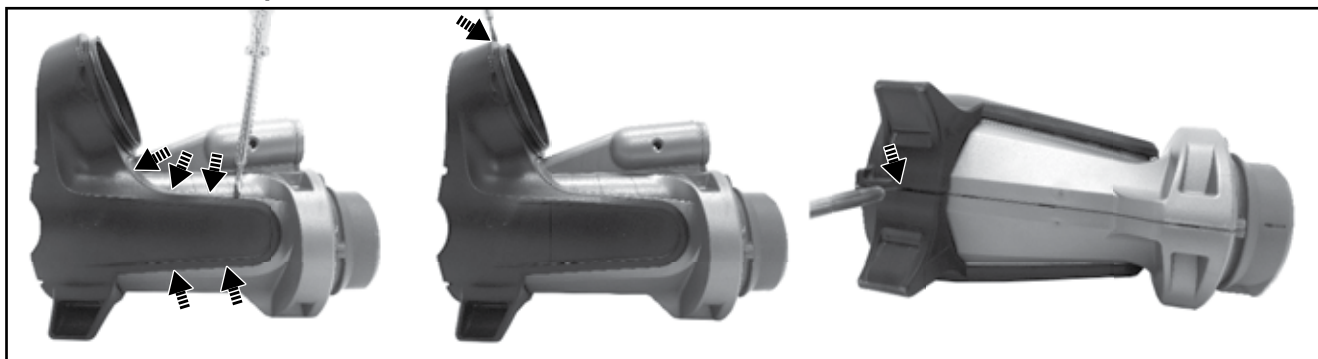


- 3) Utilizzare un cacciavite piatto per fare leva lungo la cucitura dietro il pannello anteriore. Estrarre il coperchio interno. Se necessario, utilizzare una chiave a pinza per staccare il coperchio interno. Spingere il pannello posteriore per staccare l'intero pannello anteriore.

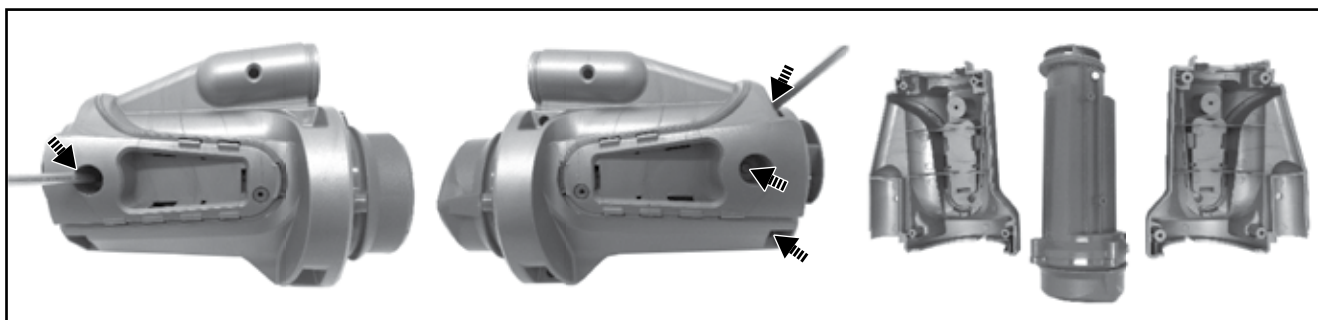




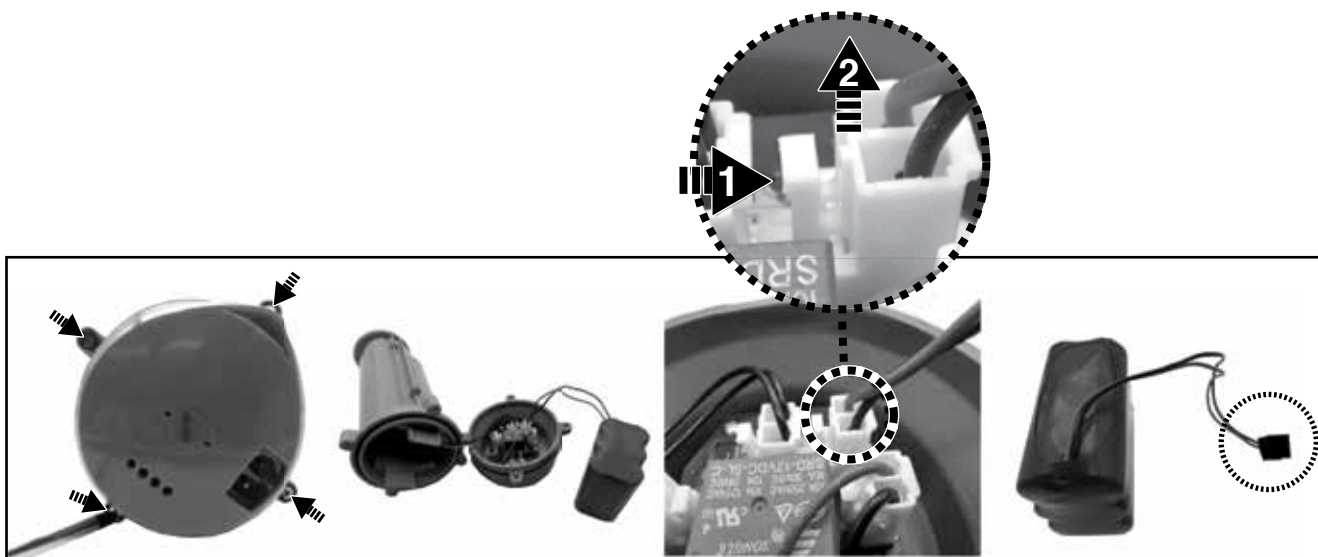
- 4) Utilizzare un cacciavite piatto per fare leva lungo la giuntura e staccare entrambe le coperture laterali.



- 5) Svitare le viti sulla parte anteriore e laterale come mostrato. Staccare le metà del corpo per esporre l'unità operativa.



- 6) Svitare le viti e aprire il tappo. Estrarre la batteria e individuare il cavetto di connessione. Premere la clip del connettore del cavo e staccarlo. **NOTA:** avvolgere immediatamente il connettore con nastro isolante per evitare cortocircuiti causati dal contatto di entrambi i terminali del filo.





# RISOLUZIONE DEI PROBLEMI

Problema	Possibile causa	Soluzione
L'aspiratore della piscina non cattura i detriti	La batteria si sta esaurendo	Ricaricare la batteria.
	La girante è bloccata	Spegnere il aspiratore per piscina e controllare visivamente lo spazio al centro dello stesso per vedere se la girante è bloccata da detriti ingombranti. Se possibile, utilizzare una piccola pinza per rimuovere i detriti con attenzione. Se necessario, contattare il concessionario per maggiori istruzioni. <b>ATTENZIONE!</b> Assicurarsi che il aspiratore per piscina sia spento quando l'unità è in manutenzione.
	la girante è rotta	Contattare il concessionario per sostituire la girante.
	Il contenitore è pieno	Svuotare il contenitore.
	Il filtro a cartuccia è pieno	Seguire le istruzioni per la pulizia della cartuccia.
	La cono del filtro è ostruita da particelle sottili	Pulisci la rete del filtro. Se si ritiene necessario spazzolare, utilizza solo una spazzola morbida per pulire delicatamente e attentamente la cono del filtro.
I detriti fuoriescono dal contenitore	Il lembo della bocchetta di aspirazione funziona come una porta per prevenire la fuoriuscita di detriti dal contenitore. Sostituire l'aletta dell'ugello.	
I detriti entrano nel cono del filtro	Il cono del filtro è danneggiato	Sostituire con un nuovo cono del filtro.
I detriti fini escono dall'aspiratore	Il filtro a cartuccia è rotto	Sostituire con un filtro a cartuccia nuovo.
Connettore per palo telescopico / maniglia curva non possono essere fissati durante il montaggio	Il pin laterale sul connettore del palo/ maniglia curva è rotto	Sostituire con un nuovo connettore palo / maniglia curva.
Il aspiratore per piscina non si può caricare/ricaricare	La batteria è danneggiata	Contattare il concessionario per sostituire la batteria. <b>ATTENZIONE!</b> NON APRIRE il aspiratore per piscina e sostituire la batteria da soli. Si rischiano gravi o fatali ferite e la garanzia sarà non verrà riconosciuta.
	La spina di ricarica non è collegata correttamente all'adattatore esterno e all'aspirapolvere per piscina	Fare riferimento al manuale di istruzioni e collegare correttamente gli accessori di ricarica.
	L'adattatore esterno è danneggiato	Contattare il concessionario per la sostituzione. <b>ATTENZIONE!</b> Utilizzando un adattatore esterno sbagliato si può danneggiare il aspiratore per piscina e la garanzia non verrà riconosciuta.
L'aspiratore della piscina non si muove in modo fluido	La ruota è inceppata	Eliminare i detriti dalla ruota.
Il tempo di ricarica è più lungo di pubblicato	Pin di ricarica macchiati	Le macchie possono essere rimosse utilizzando un batuffolo di cotone imbevuto di succo di limone o aceto per pulire le aree intorno ai pin di ricarica.
Il tempo di funzionamento è più breve come previsto	La batteria è non completamente carica	Caricare l'aspirapolvere per piscina per almeno 6 ore. NOTA: se vengono rilevate macchie sulle pin di ricarica, rimuoverli utilizzando un batuffolo di cotone imbevuto di succo di limone o aceto.
<b>Programma Ambientale, Direttiva Europea WEEE</b>		
	Rispettare le normative dell'Unione Europea e aiutare a proteggere l'ambiente. Le attrezzature elettriche non rilavorate devono essere smaltite presso un impianto indicato dal Comune di competenza che si occupi di riciclare appropriatamente attrezzature elettriche ed elettroniche. Non gettare via tali attrezzature in cassonetti per rifiuti indifferenziati. Per articoli contenenti batterie removibili, rimuovere le batterie prima di gettare via il prodotto.	
	Tutti i diritti sono riservati. Nessuna parte di questo documento può essere riprodotta o trasmessa in alcuna forma o tramite alcun mezzo, elettronico, meccanico, fotocopia, registrazione o altro, salvo previa autorizzazione della Kokido Development Ltd. (L-23011001)	

Se è richiesta una copia digitale del presente manuale, prego contattare il centro di assistenza via email: [customerservice@kokido.com](mailto:customerservice@kokido.com)

## CONSERVARE LE PRESENTI ISTRUZIONI

**Bemerkte: Abhängig von Ihrem Modell sind die in diesem Handbuch gezeigten Zubehörteile/Teile nicht unbedingt in jedem Modell enthalten.**

Produkt/Teile auf Fotos/Zeichnungen können je nach gekauftem Modell variieren. Sehen Sie sich die Ersatzteilzeichnung an, um zu verstehen, welche Teile in Ihrem gekauften Modell enthalten sind.

## **SICHERHEITSWARNUNGEN UND -HINWEISE**

Die in dieser Bedienungsanleitung enthaltenen Informationen helfen Ihnen, das Gerät sicher zu bedienen, sich und andere vor Gefahren zu schützen und Schäden am Gerät und anderem Eigentum zu vermeiden.

### **BEDIENUNGSANLEITUNG GUT AUFBEWAHREN**

#### **WARNUNG!**

- Dies ist kein SPIELZEUG. Dieser Poolsauger und dessen Zubehörteile sind von Kindern fernzuhalten.
- Erlauben Sie den Kindern niemals die Bedienung des Poolsaugers.
- Dieses Gerät ist nicht für die Verwendung durch Personen mit eingeschränkten physischen, sensorischen oder geistigen Fähigkeiten oder fehlender Erfahrung und mangelndem Wissen bestimmt, es sei denn, sie wurden von einer für ihre Sicherheit verantwortlichen Person beaufsichtigt oder in die sichere Verwendung des Geräts eingewiesen und verstehen die vorhandenen Gefahren.
- Kinder dürfen nicht mit diesem Produkt spielen.
- Die Reinigung und Wartung des Poolsauger darf nicht von Kindern durchgeführt werden.
- Vergewissern Sie sich, dass der Poolsauger vollständig in den Pool eingetaucht ist, bevor Sie mit dem Betrieb beginnen. Der für den Betrieb des Poolvakuums erforderliche Mindestwasserstand muss das gesamte Poolvakuum abdecken. Der Betrieb des Poolsaugers bei nicht ordnungsgemäßem Eintauchen könnte das Gerät beschädigen und zum Erlöschen der Garantie führen.
- Die maximale Betriebstiefe im Wasser beträgt 3 Meter (9.8 ft).
- Maximale Wassertemperatur: 5 °C (41 °F) – 42°C (107.6°F).
-  Abnehmbares Ladegerät (externer Adapter).
- Der Poolsauger sollte nur mit dem externen Adapter und dem mit diesem Produkt gelieferten Ladestecker aufgeladen werden.
- Verwenden Sie zum Aufladen der Batterie nur die abnehmbare Stromversorgung, die mit diesem Pool-Sauger geliefert wird.
- Verbinden Sie den externen Netzadapter über eine Fehlerstrom - Schutzeinrichtung, (RCD) / einen Fehlerstrom - Schutzschalter (RCCB) mit dem Netz. Ziehen Sie in Zweifelsfällen einen qualifizierten Elektriker zu Rate.
- Verwenden Sie diesen Poolsauger nicht, wenn irgendwelche Schäden festgestellt werden.
- Ersetzen Sie beschädigte Teile durch solche, die vom Händler oder Hersteller zertifiziert sind.
- Schalten Sie den Strom aus, trennen Sie den externen Adapter von der Stromquelle und ziehen Sie den externen Adapter vom Ladestecker ab, bevor

Sie den Poolsauger vom Ladestecker ziehen.

- Schalten Sie den Poolsauger vom Versorgungsnetz ab und vergewissern Sie sich, dass der Poolsauger AUS ist, bevor Sie regelmäßige Wartungsarbeiten durchführen - wie z.B. die Reinigung des Filters und der Aufladestifte.
- Versuchen Sie nicht, den eingebauten wiederaufladbaren Li-Ionen-Akku zu ersetzen.
- Fassen Sie den Poolsauger, den externen Adapter und den Ladestecker NICHT mit nassen Gliedmaßen und ohne Schuhe an, während er geladen wird.
- Stellen Sie sicher, dass Kinder während des Betriebs nicht versuchen, auf den Poolstaubsauger zuzugreifen.
- Diesen Poolsauger KEINESFALLS ohne intakten eingesetzten Filterkonus verwenden, da ansonsten die Garantie erlischt.
- Quetschgefahr durch Ansaugen: Dieser Poolsauger erzeugt Saugkraft. Vermeiden Sie, dass während des Betriebs des Poolsaugers Haare, Körperteile oder sonstige lose Kleidungsstücke in die Nähe der Saugöffnung gelangen.
- Führen Sie unter keinen Umständen Körperteile, Kleidungsstücke oder sonstige Gegenstände in die Öffnungen und beweglichen Teile des Poolsaugers ein.
- Verwenden Sie diesen Poolsauger NICHT, um toxische Substanzen, entzündliche und brennbare Flüssigkeiten (z. B. Benzin) in Gegenwart von explosiven oder entflammbaren Dämpfen aufzunehmen.
- Sie sollten unter keinen Umständen versuchen, den Poolsauger auseinanderzubauen und das Flügelrad, den Motor oder die Batterie eigenhändig auszutauschen.
- Führen Sie niemals Körperteile oder andere Gegenstände in das Laufrad ein, um das Laufrad zu berühren.
- Die eingebaute Batterie muss von einem Fachmann entfernt werden, bevor sie verschrottet wird.
- Dieses mit Poolsauger arbeitende Gerät enthält einen Akku, der nur von Fachpersonal entfernt werden darf.
- Bevor der Akku entfernt wird, muss das Poolsauger von der Stromversorgung getrennt werden.
- Einzelheiten zum Recycling bzw. zur Entsorgung des Akkus finden Sie im Abschnitt „ENTSORGUNG DES AKKUS“ in dieser Anleitung und wenden Sie sich für weitere Informationen an Ihre örtlichen Behörden.
- Der Akku muss im Einklang mit den im Verwendungsland geltenden Vorschriften entsorgt werden.
- Externes Ladegerät und Ladestecker:
  - Verwenden Sie nie das externe Ladegerät und die Ladestecker für einen anderen Zweck als das Aufladen der Batterie des im selben Pack gelieferten Poolsaugers.
  - Der externe Netzadapter und der Ladestecker dürfen weder im Freien benutzt werden und dürfen weder Regen, Feuchtigkeit, Flüssigkeiten noch Hitze ausgesetzt werden.
  - Der Transformator (bzw. der externe Adapter) muss außerhalb von Zone 1 aufgestellt werden.

- Halten Sie das externe Ladegerät und die Ladestecker von Kindern fern.
- Verwenden Sie niemals das externe Ladegerät und die Ladestecker, sollten Sie Schäden festgestellt haben.
- Handhaben Sie das externe Ladegerät und die Ladestecker NICHT mit nassen Händen.
- Handhaben Sie den Poolsauger, den externen Stecker und die Ladestecker während des Ladevorgangs NICHT mit nassen Händen und Barfuß.
- Trennen Sie das externe Ladegerät von der Stromversorgung, wenn es nicht verwendet wird.
- Versuchen Sie keinesfalls, das externe Ladegerät und die Ladestecker zu öffnen.
- Wenn das Netzkabel des externen Adapters beschädigt ist, muss der externe Adapter durch den Hersteller oder seinen Kundendienstvertreter ersetzt werden, um Gefahren jeglicher Art zu vermeiden.
- Vergewissern Sie sich, dass Poolsauger und Ladestecker vor dem Aufladen völlig trocken sind.

#### **ACHTUNG!**

- Dieser Poolsauger ist ausschließlich für den Unterwassergebrauch konzipiert. Es ist kein Allzweck-Staubsauger. Versuchen Sie NICHT, dieses Gerät zum Reinigen von etwas Anderem als Ihren Pool zu verwenden.
- Verwenden Sie ausschließlich das mit diesem Produkt gelieferte Originalzubehör.
- Verwenden Sie diesen Poolsauger NICHT unmittelbar nach einer Wasserbehandlung. Es wird empfohlen, das Poolwasser mindestens 24-48 Stunden umzuwälzen.
- Bei einem Salzwasserpool müssen Sie sich vergewissern, dass das Salz komplett gelöst ist, bevor Sie den Poolsauger ins Wasser setzen.
- Verwenden Sie diesen Poolsauger NICHT gleichzeitig mit einem anderen automatischen/manuellen Reingigungsgerät im Becken.
- Vermeiden Sie es, mit diesem Produkt harte, scharfe Gegenstände aufzusaugen. Sie können den Poolsauger und den Filter beschädigen.
- Lassen Sie bei der Reinigung von Pooltreppen Vorsicht walten.
- Um Beschädigungen des externen Adapters und des Ladestecker zu vermeiden, versuchen Sie nicht, den Poolsauger am Kabel des externen Adapters/ Ladestecker zu tragen oder am Kabel zu ziehen, um ihn von der Stromquelle und dem Ladestecker zu trennen.
- Laden Sie den Poolsauger im Inneren in einem sauberen, trockenen und gut belüfteten Bereich bei einer Umgebungstemperatur zwischen 5 °C (41 °F) und 30°C (86 °F) auf.
- Der Poolsauger DARF NICHT länger als 10 Stunden ununterbrochen aufgeladen werden.
- Ist über einen längeren Zeitraum keine Verwendung des Poolsaugers vorgesehen, nehmen Sie ihn aus der Ladestecker und reinigen und trocknen Sie den Poolsauger und das Zubehör mit einem trockenen Tuch. Achten Sie darauf, den Poolsauger auf 30 - 50 % Akkukapazität aufzuladen, bevor er weggelegt wird. Lagern Sie das Gerät an einem gut belüfteten, vor Sonnenlicht, Hitze, Zündquellen, Poolchemikalien und Kindern geschützten Ort. Lassen Sie den Poolsauger während einer Lagerung über einen längeren Zeitraum niemals angeschlossen. Laden Sie den Poolsauger alle drei Monate wieder auf.

**Oben aufgeführte Warnungen und Vorsichtsmaßnahmen umfassen nicht alle möglichen Risiken und/oder schweren Verletzungsgefahren.** Pool/Spa-Eigentümer sollten bei der Verwendung des Produkts stets zusätzliche Vorsicht und gesunden Menschenverstand walten lassen.

# ERSTE SCHRITTE

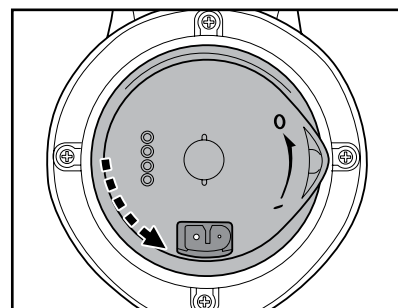
## Laden der Batterie

WICHTIGER HINWEIS: Laden Sie den Poolsauger 6 Stunden auf, bevor Sie ihn zum ersten Mal benutzen.

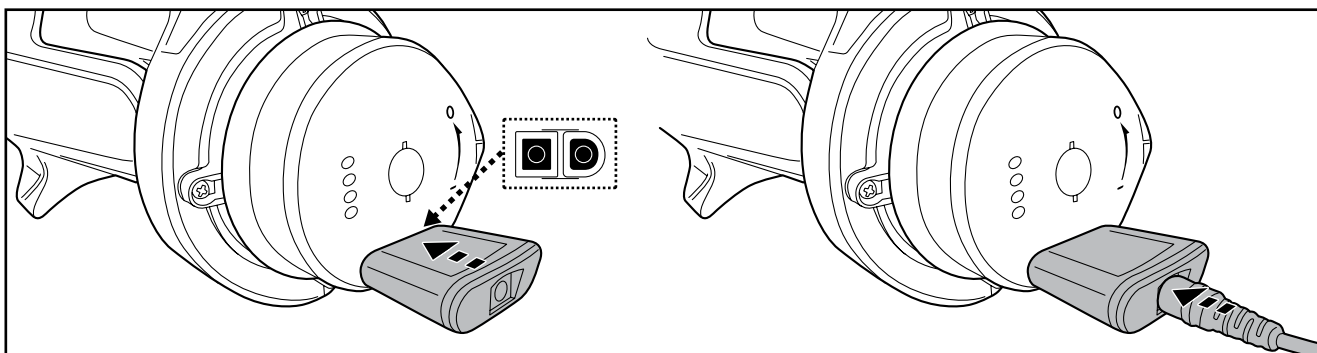
### WARNUNG!

- Verwenden Sie nur den mitgelieferten Original-Netzadapter und den mitgelieferten Ladestecker.
- Stellen Sie sicher, dass der Poolsauger und der Ladeanschluss sauber und trocken sind, bevor Sie ihn aufstellen und laden. (TIPP: Verwenden Sie einen Wattestäbchen zum Trocknen der Ladeöffnung und der Ladestifte).
- Das Aufladen hat im Inneren in einem gut belüfteten, vor Sonnenlicht, Kindern, Hitze und Zündquellen geschützten Raum bei einer Umgebungstemperatur zwischen 5°C (41°F) und 30°C (86°F) zu erfolgen.
- Verwenden Sie niemals das externe Ladegerät und die Ladestecker, sollten Sie Schäden festgestellt haben.
- Die Aufladestifte sind wasserdicht. Wasserreste im Hafen und um die Aufladestifte herum könnten jedoch zum natürlichen Auftreten von Flecken führen (ein Nebenprodukt der chemischen Reaktion zwischen Wasser und elektrischen Strömen). Andernfalls können die Flecken durch leichtes Schrubben mit einem mit Zitronensaft oder Essig getränkten Wattestäbchen entfernt werden.
- Stellen Sie sicher, dass der Poolsauger ausgeschaltet ist, bevor Sie einen Ladevorgang beginnen.

1. Stellen Sie das Gerät auf eine ebene Fläche. Stellen Sie den Pool-Sauger auf Ausschalt-/Lademodus, indem Sie den Schaltknopf gegen den Uhrzeigersinn drehen, bis er klickt und den Ladeanschluss vollständig freilegt.

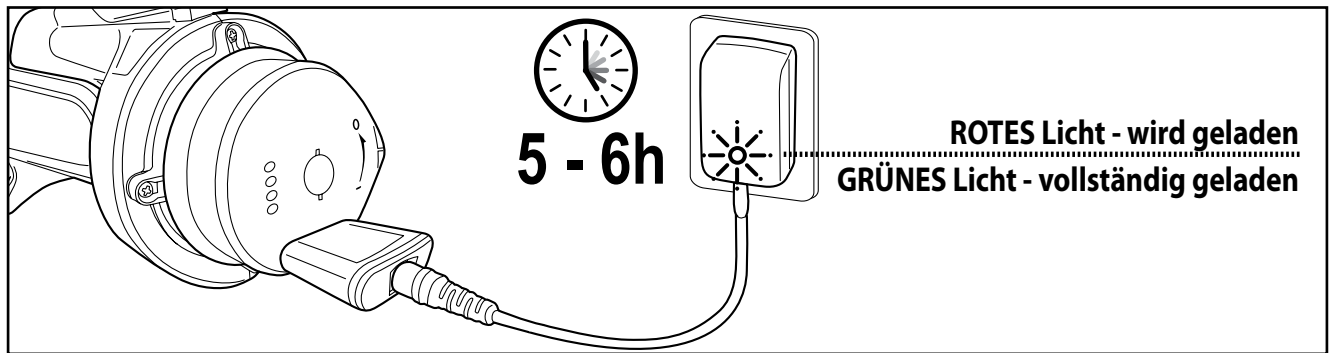


2. Richten Sie den Ladestecker aus und schließen Sie ihn an den Ladeanschluss an. **WARNUNG!** Achten Sie darauf, den Ladestecker nicht umzudrehen und sicherzustellen, dass sowohl der Ladestecker als auch der Ladeanschluss sauber und trocken sind, bevor Sie sie aufladen. TIPPS: Trocknen Sie den Ladeanschluss und die Stifte mit Wattestäbchen. Stecken Sie das Ladekabel des externen Adapters in den Ladestecker.





3. Schließen Sie den externen Adapter an die Stromquelle an. Die Anzeigelampe am externen Adapter leuchtet rot, wenn das Vakuum aufgeladen wird, und grün, wenn es vollständig aufgeladen ist. Laden Sie es 5-6 Stunden lang auf, um die beste Leistung zu erzielen.



**HINWEIS:** Wenn der Motor Geräusche erzeugt, schalten Sie das Gerät aus, indem Sie den Schaltknopf in den Ausschalt-/Lademodus stellen.

- Sollten Sie eine der folgenden Störungen bemerken, trennen Sie den externen Netzadapter sofort von der Stromversorgung:
    - Starker oder ungewöhnlicher Geruch
    - Übermäßige Wärmeentwicklung
    - Verformung, Risse, Auslaufen
    - Rauch
4. Wenn der Ladevorgang abgeschlossen ist, trennen Sie den externen Adapter von der Stromquelle und ziehen Sie den Ladestecker aus dem Gerät und dem externen Adapter.

Normalerweise kann ein vollständig aufgeladener Poolsauger (nach einer Ladezeit von 5-6 Stunden) bis zu 75 Minuten betrieben werden.

**HINWEIS:** Reinigen Sie das Filtereinsatz /Filterkonus regelmäßig. Übermäßiger Schmutz im Inneren des Filtereinsatz /Filterkonus erhöht die Belastung des Motors im Betrieb und verkürzt dadurch die Betriebsdauer.

**FAKTUM:** Die wiederaufladbare Li-Ion-Batterie ist als ein Verbrauchsartikel eingestuft. Es hat eine begrenzte Lebensdauer und verliert allmählich seine Fähigkeit, Energie zu speichern. Daher wird die Betriebsdauer des Poolsaugers nach wiederholten Lade- und Entladevorgängen während des Betriebs allmählich abnehmen.

Wenn die Lebensdauer des Akkus erschöpft ist, befolgen Sie die Anweisungen im Abschnitt „ENTSORGUNG DES AKKUS“, um den Akku zu entsorgen.

**HINWEIS:** Lassen Sie den Poolsauger 30-40 Minuten abkühlen, bevor Sie ihn wieder aufladen.

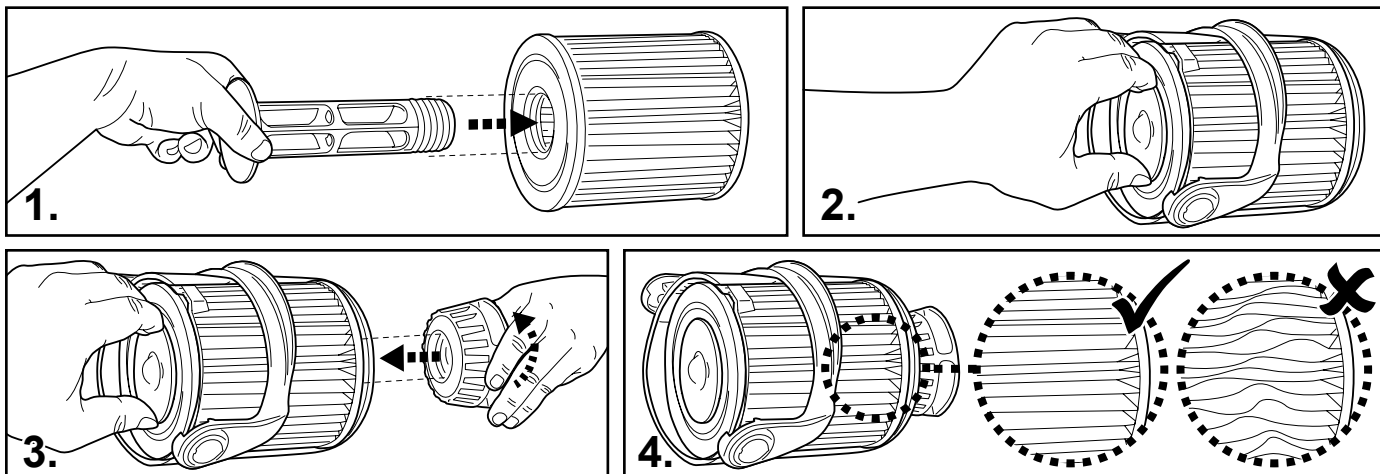


## Vorbereitung vor der Benutzung

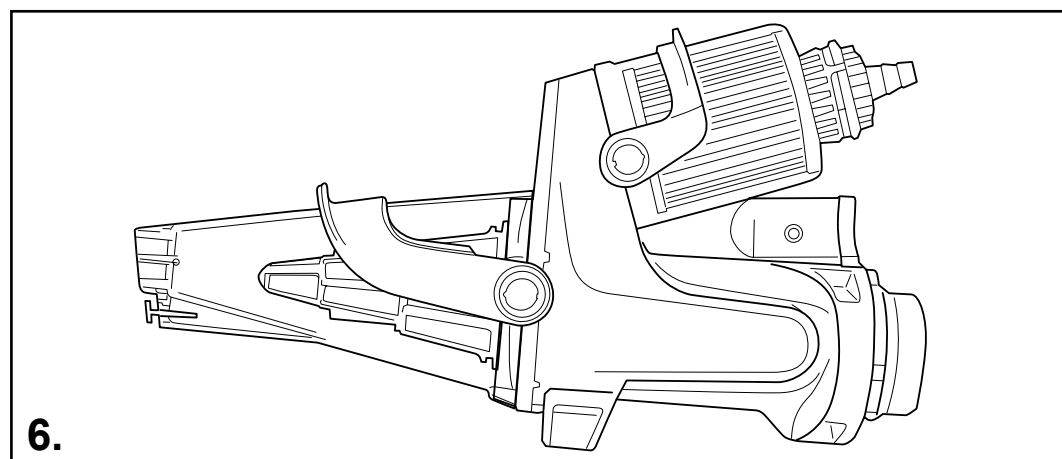
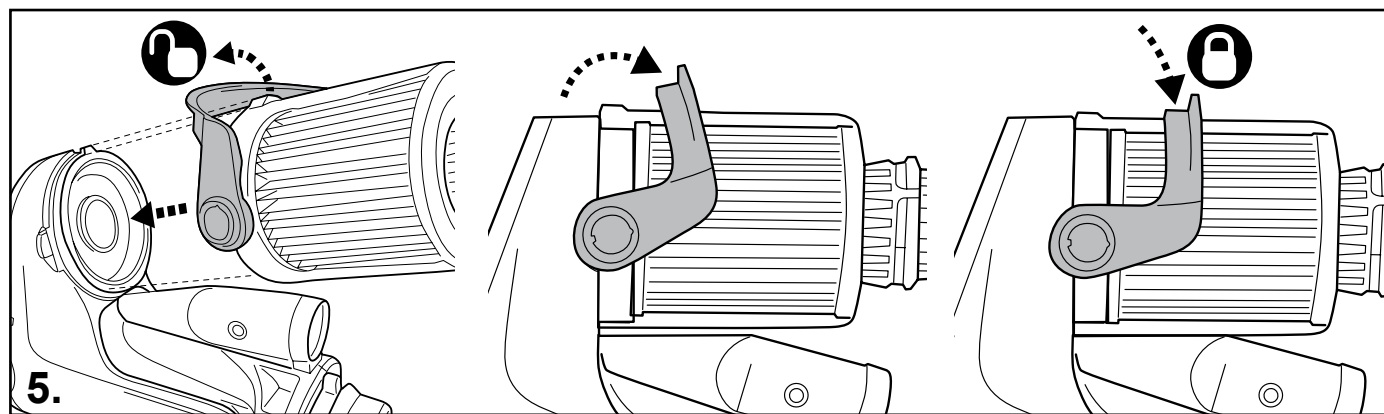
Dieser Poolsauger ist mit einem Filterkonus für die Reinigung von allgemeinen Verschmutzungen wie Blättern und größeren Partikeln auf dem Poolboden ausgestattet. Zusätzlicher Patronenfilter und Gartenschlauchadapter zur Reinigung von feinem Schmutz, Schlamm und Flockungsmittel.

### Einrichtung für die LEAF-OUT™ und SAND-OUT™ Funktion Reinigung feiner Ablagerungen (mit Patronenfilter)

Zum Aufsammeln von Feinstaub (z. B. Laub, Sand, Feinstaub usw.).



**WARNUNG!** Ziehen Sie das Ventil mit Gewinde nicht zu fest an.



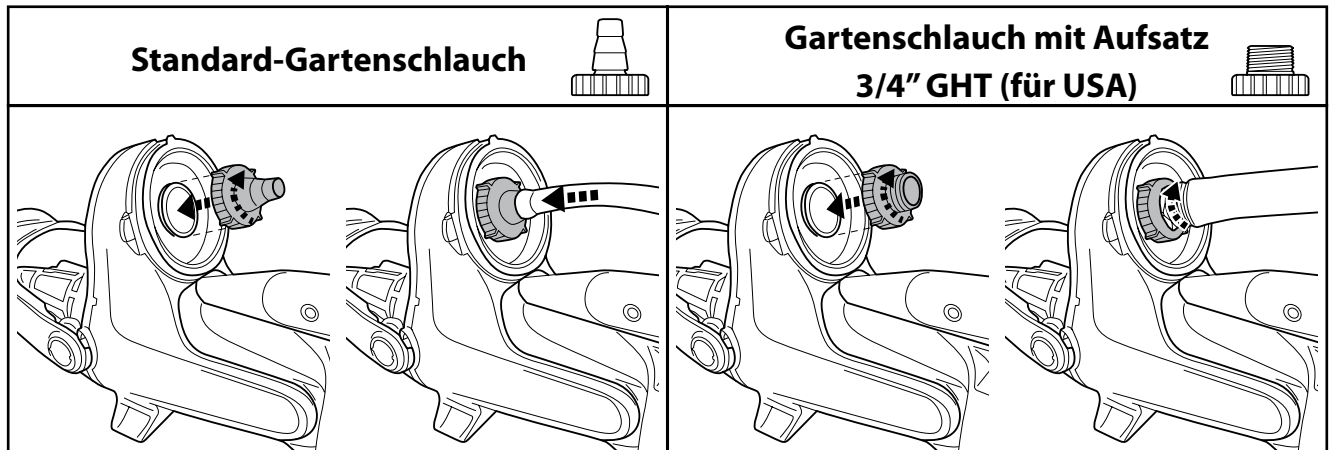
## Einrichtung für die FLOC-OUT™ Funktion

### Reinigung von Flockungsmittel und Schlamm

(Verwenden Sie diese Einrichtung nur zur Reinigung des Flockungsmittels und des Schlamms. Verwenden Sie KEINEN Patronenfilter zur Reinigung von Flockungsmittel und Schlamm, da dies die Patrone verkleben und ihre Lebensdauer verkürzen würde.)

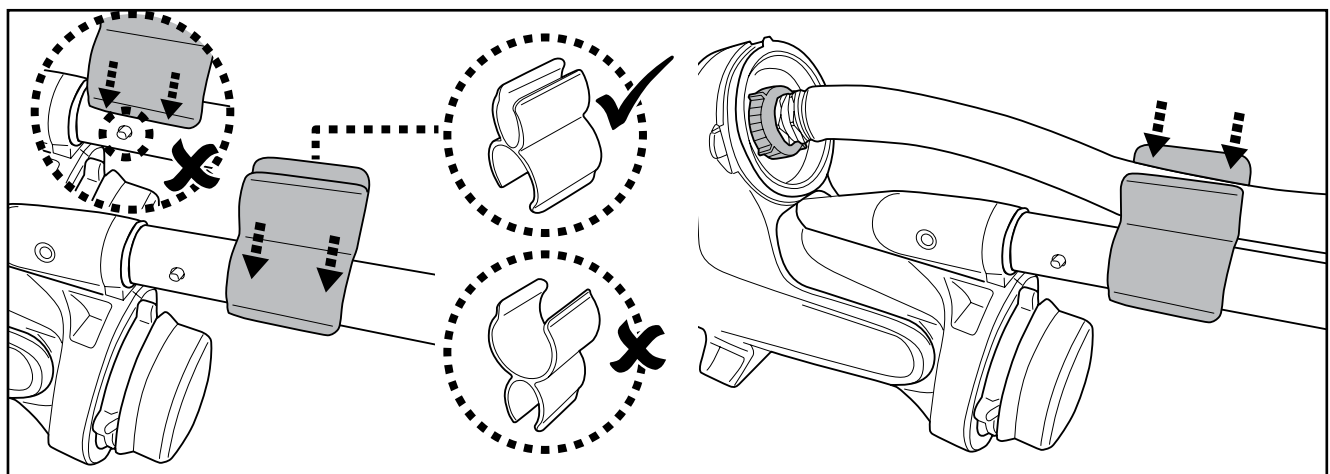
#### 1. Schließen Sie den Gartenschlauch an.

Sie benötigen einen Gartenschlauch (nicht im Lieferumfang enthalten), dessen Länge mindestens der Entfernung zwischen der am weitesten entfernten Reinigungsstelle in Ihrem Schwimmbecken und der Stelle entspricht, an der das Wasser abgelassen wird.



#### 2. Montieren Sie die Teleskopstange wie in dieser Anleitung beschrieben.

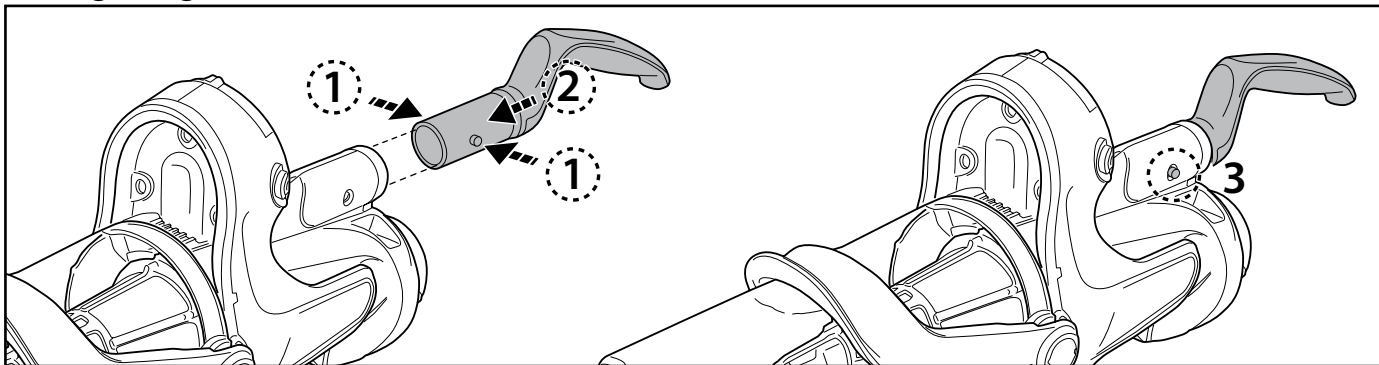
#### 3. Richten Sie den Schlauch an der Stange aus.



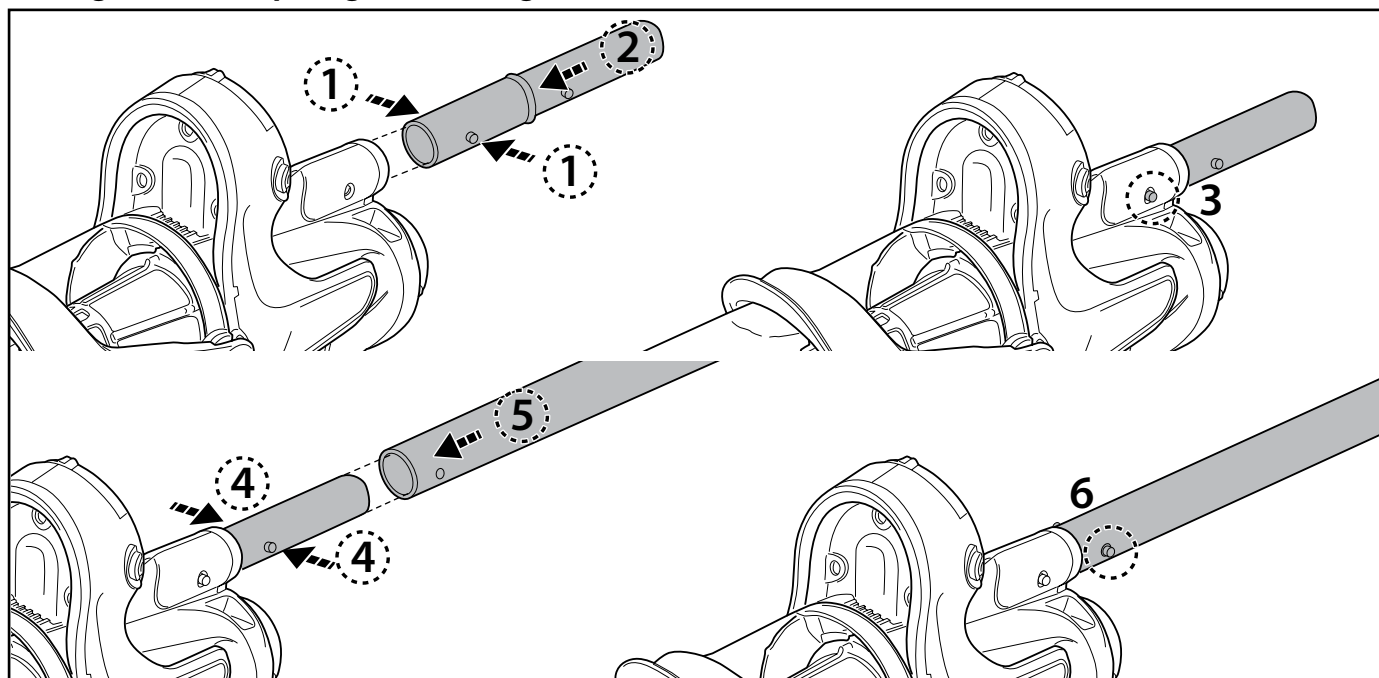
#### TIPPS:

- Um zu verhindern, dass das Flockungsmittel aufschwimmt und nicht auf den Boden des Schwimmbeckens sinkt, ist es ratsam, die Pumpe vor der Reinigung abzuschalten.
- Um das Flockungsmittel auf dem Beckenboden zu entfernen, sollten Sie den mit dem Poolsauger mitgelieferten Kopf verwenden und die Bürste an der Seite/Ecke vom Saugkopf entfernen.
- Bei der Reinigung ist es wichtig, vorsichtig und langsam zu arbeiten, um ein Aufwirbeln des Flockungsmittels und der Verunreinigungen zu vermeiden. Sie müssen eine Pause einlegen und warten, bis sie sich wieder gesetzt haben.
- Es kann mehrere Saugvorgänge erfordern, um das gesamte Flockungsmittel und die Ablagerungen zu entfernen. Nach dem ersten Durchgang lassen Sie die Ablagerungen wieder absinken und wiederholen Sie den Vorgang, um mehr sauberes Wasser zu erhalten.

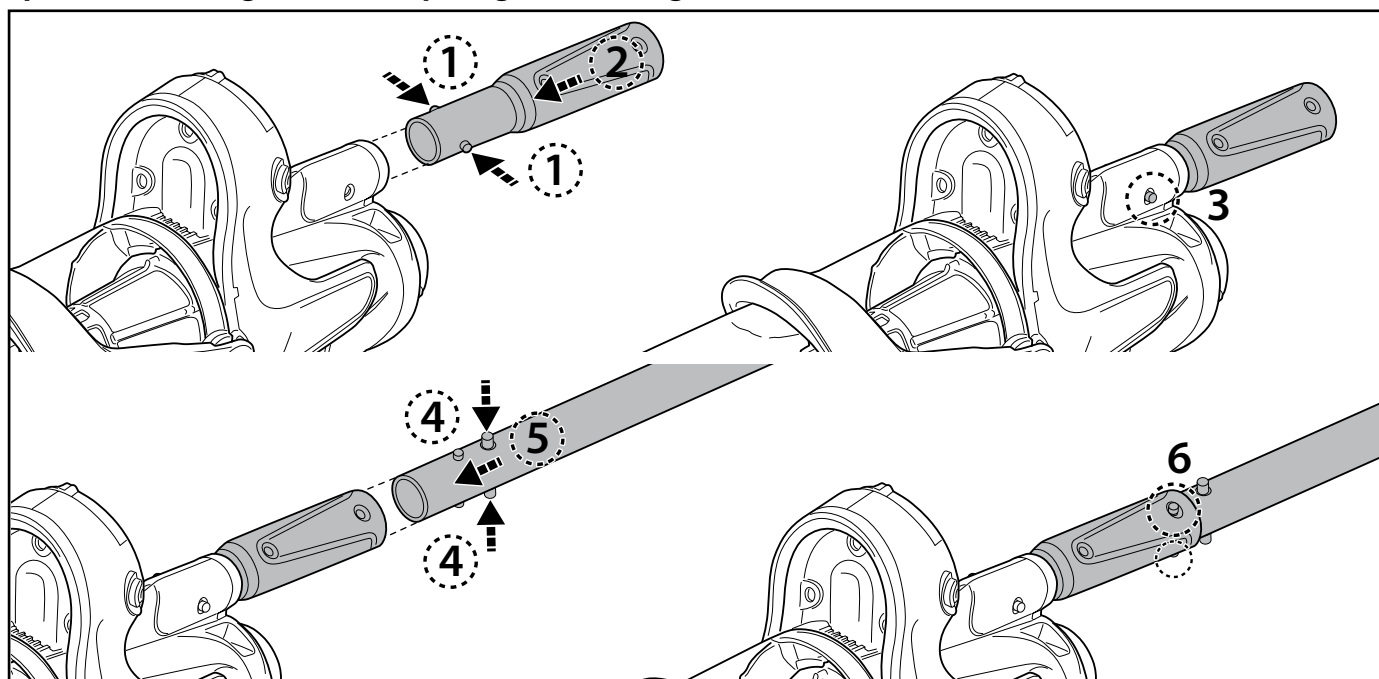
### Montage des gekrümmten Griffs



### Montage der Teleskopstange (nicht inbegriffen) (Nur für USA / EU-Länder)



### Spezifische Montage der Teleskopstange (nicht inbegriffen) (Nur für Australien/Neuseeland)



## **Vorbereitung des Beckens**

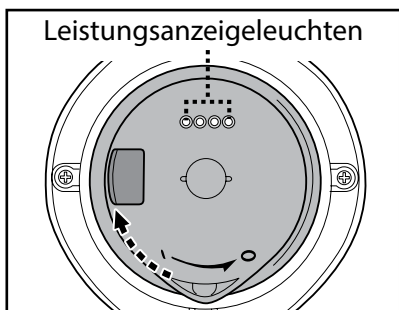
- Steine, Gras oder Pflanzen oder Rost vor Verwendung des Poolsaugers vom Beckenboden entfernen. Ziehen Sie in Zweifelsfällen Fachpersonal zu Rate.
- Beschädigte, verschlissene oder rissige Beckenböden vor Verwendung des Poolsaugers durch Fachpersonal instandsetzen oder auswechseln lassen.
- Bei einem Salzwasserpool müssen Sie sich vergewissern, dass das Salz komplett gelöst ist, bevor Sie den Poolsaugers ins Wasser setzen.

## **BETRIEB**

### **WARNUNG!**

- Vergewissern Sie sich, dass das Poolsauger ausgeschaltet ist..
- Verwenden Sie den Poolsauger nicht, wenn irgendwelche Schäden festgestellt werden.
- Durch auf den O-Ring aufgetragenes Schmierfett können Ölflecken auftreten.
- Stellen Sie sicher, dass der Poolsauger vollständig in das Wasser eingetaucht ist, bevor Sie ihn in Betrieb setzen. Der Mindestwasserstand, der für den Betrieb des Poolsaugers erforderlich ist, muss über dem Ein-/Aus-Schalter des Poolsaugers liegen, wenn dieser in vertikaler Position gehalten wird. Der Betrieb des Poolsaugers, ohne korrekt in das Wasser eingetaucht zu sein, kann zu Schäden und zum Erlöschen der Garantie führen.
- Verwenden Sie den Poolsauger NICHT ohne eingesetzten intakten Filterkonus. Bei Verwendung des Poolsaugers ohne intakten Filterkonus ERLISCHT die Garantie.
- Lassen Sie den Poolsauger nicht im Wasser eingetaucht, wenn er nicht verwendet wird.
- Stellen Sie sicher, dass der Ladestecker abgezogen bevor der Poolsauger eingesetzt wird.

1) Positionieren Sie Ihren Poolsauger seitlich an Ihrem Pool/Spa. Tauchen Sie den Poolsauger in das Wasser ein und drehen Sie den Netzschalter im Uhrzeigersinn, um den Betrieb zu starten.

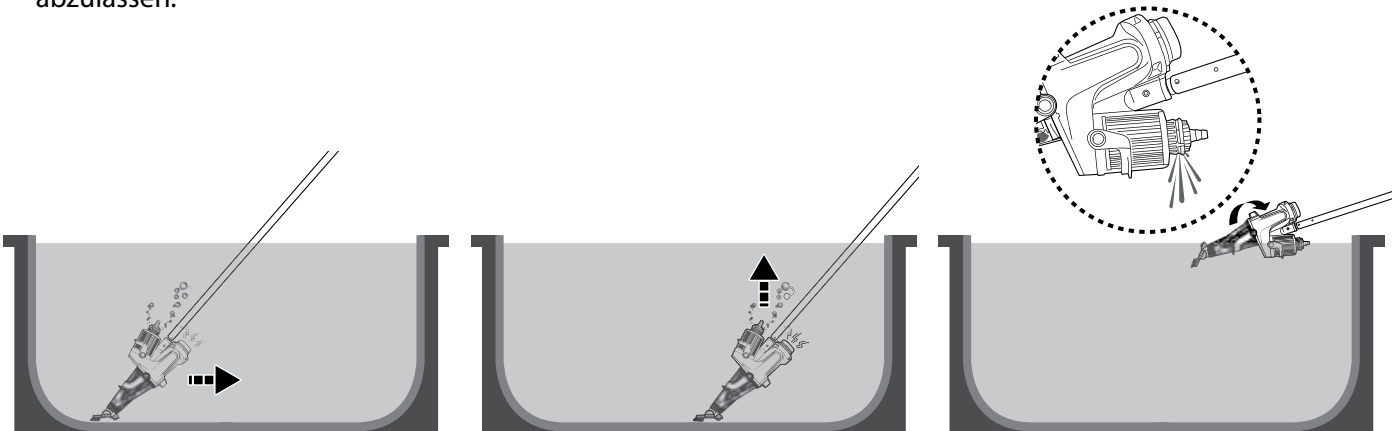


Leistungsanzeigeleuchten:

	4 Anzeigeleuchten EIN	Bis zu 75 Minuten verbleiben.
	Letzte Anzeigeleuchte blinkt	Wenn die letzte Leuchte zu blinken anfängt, verbleiben nur noch 10-15 Minuten Akkulaufzeit.

**ACHTUNG!** Achten Sie darauf, dass der Poolsauger stets nach unten zeigt, wenn er in den Pool gesetzt wird. Sonst kann die Stangenkupplung verbogen und während des Vorgangs beschädigt werden.

2) Um den Poolsauger aus dem Pool/Spa herauszunehmen, drehen Sie den Poolsauger, heben Sie den Poolsauger nach unten zeigend an. Das Wasser wird über die Stange, das Ablassventil am Behälter und den Boden des Poolsaugers entweichen. Drehen Sie den Poolsauger so, dass das Ablassventil zum Becken zeigt, um das Wasser abzulassen.



**ACHTUNG!** Achten Sie darauf, dass der Poolsauger stets nach unten zeigt, wenn aus dem Pool herausgezogen wird. Andernfalls kann die Stangenkupplung verbogen und der Poolsauger beim Vorgang beschädigt werden.

3) Spülen Sie den Poolsauger nach jeder Verwendung mit frischem Wasser. Verwenden Sie KEINESFALLS Reinigungsmittel.



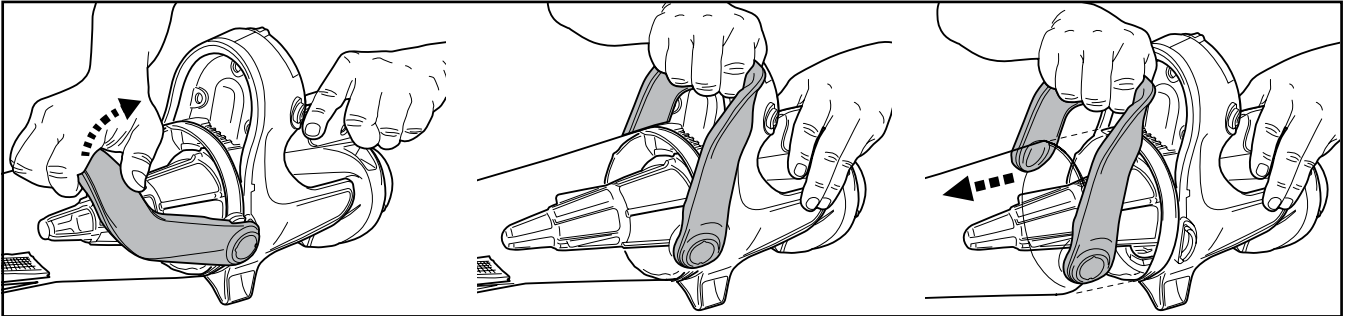
## REINIGEN DES FILTERS

**WARNUNG!** Bei Verwendung des Poolsaugers ohne intakten Filterkonus ERLISCHT die Garantie.

Um die Reinigungseffizienz zu maximieren, stellen Sie sicher, den Filtereinsatz/Filterkonus vor und nach jeder Verwendung zu reinigen.

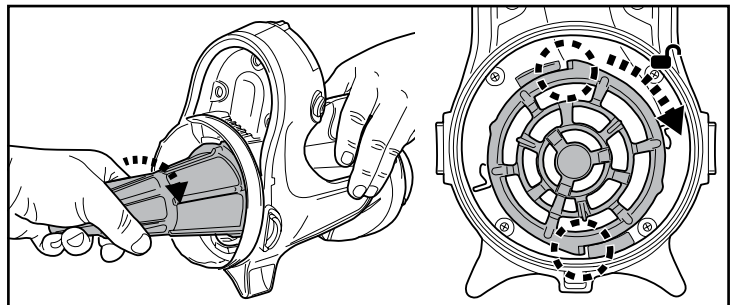
**ACHTUNG!** Wenn der Poolsauger aufgeladen wird, trennen Sie das externe Ladegerät von der Stromversorgung und ziehen Sie die Buchse aus der Ladestecker. Vergewissern Sie sich, dass das Poolsauger ausgeschaltet ist.

- Reinigen des Filterkonus
- 1) Legen Sie den Poolsauger auf einer stabilen Oberfläche ab.
- 2) Halten Sie den Poolsauger und hebeln Sie den Behälterhebel bis zum Ende auf, um die seitlichen Verriegelungen vollständig zu lösen.



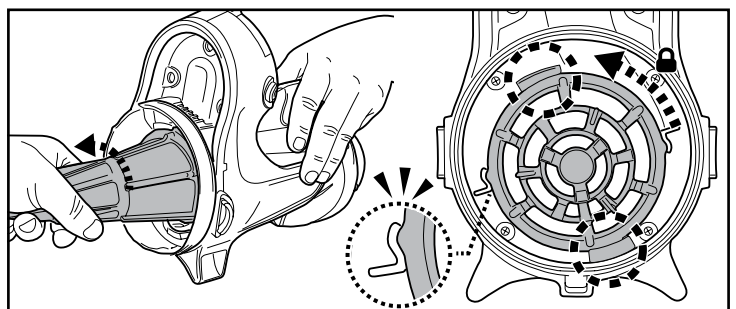
Nehmen Sie den Behälter ab und drehen Sie den Filterkonus im Uhrzeigersinn, bis die seitliche Lasche aus der Einkerbung herausragt. Nehmen Sie den Filterkonus aus dem Staubsauger.

**ACHTUNG!** Ersetzen Sie den beschädigten Filterkonus sofort vor dem nächsten Einsatz.

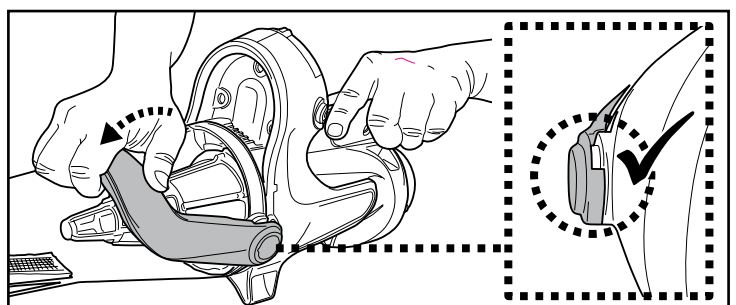


- 3) Entfernen Sie den Schmutz und spülen Sie den Filterkonus mit Wasser. Sollte es erforderlich sein, den Filterkonus zu bürsten, benutzen Sie ausschließlich eine weiche Bürste und reinigen Sie den ihn mit Vorsicht und sanft.

- 4) Führen Sie die vorherigen Schritte in umgekehrter Reihenfolge aus, um den Filterkonus wieder zu montieren. Drehen Sie den Filterkonus gegen den Uhrzeigersinn, bis seine seitliche Lasche wie abgebildet auf beiden Seiten in der Kerbe befestigt ist. Sie werden ein „Klick“-Geräusch hören.



- 5) Richten Sie die Abdeckung auf den Poolsauger aus und montieren Sie sie wieder, und stellen Sie sicher, dass der Hebel vollständig nach unten auf die Abdeckung gedrückt wird. Sie werden ein „Klick“-Geräusch hören.





- Reinigen des Filtereinsatzes

Befolgen Sie die Anweisungen unter „Einstellung des Filtereinsatzes“, um den Filtereinsatz zu entfernen.

Untersuchen Sie alles auf Schäden und Verschleiß. Wenn Sie Schäden oder Risse finden, ist es an der Zeit, den Filtereinsatz zu ersetzen.

Es wird empfohlen, den Filtereinsätze nach jedem Reinigungszyklus des Pools mit einem Wasserstrahl ab zu säubern.

Sprühen Sie in einem Winkel, um die Verschmutzungen zwischen den Falten des Filtereinsätze zu entfernen.

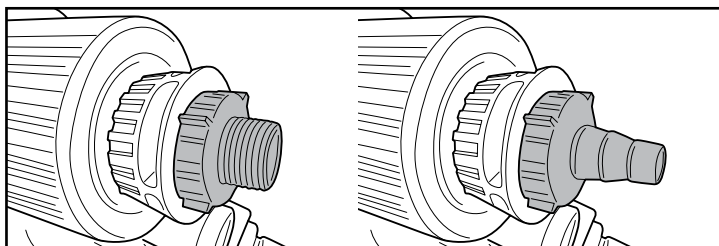
Verwenden Sie niemals einen Hochdruckreiniger, da dieser den Filtereinsatz beschädigt. Wenn der Filtereinsätze stark verschmutzt ist weichen Sie hingegen in mit Reinigungsmittel versetztem Wasser für 2 bis 3 Stunden ein, und spülen sie anschließend mit einem Wasserstrahl ab.

Wenn das Bürsten als notwendig erachtet wird, reinigen Sie es vorsichtig mit einer weichen Bürste, um Beschädigungen zu vermeiden.

## INSTANDHALTUNG UND LAGERUNG

### HINWEIS:

- 1) Achten Sie darauf, die Bereiche um den Ladeanschluss und die Aufladestifte nach jedem Gebrauch zu reinigen und zu trocknen, um die Bildung von Ablagerungen (Nebenprodukt einer natürlichen chemischen Reaktion zwischen elektrischem Strom und Wasser) zu vermeiden. Andernfalls können Sie die Ablagerungen durch leichtes Schrubben mit einem mit Zitronensaft oder Essig getränkten Wattestäbchen entfernen.
- 2) Achten Sie darauf, den Poolsauger auf 30 - 50 % Akkukapazität aufzuladen, bevor er weggelegt wird..
- 3) Sie müssen die Batterie mindestens alle drei Monate neu aufladen, wenn das Gerät nicht verwendet wird.
  - Ziehen Sie den externen Stecker aus der Buchse heraus und ziehen Sie die Buchse des Ladegeräts aus der Ladestecker heraus.
  - Entfernen Sie das Zubehör vom Poolsauger. Sofern erforderlich, spülen Sie den Poolsauger und das Zubehör mit frischem Wasser. Verwenden Sie KEINESFALLS Reinigungsmittel.
  - Stellen Sie sicher, dass das Wasser aus dem Gerät, dem Griff und der Stangenkupplung ausläuft.
  - Reinigen und trocknen Sie den Poolsauger und sein Zubehör mit einem feuchten Tuch.
  - Lagern Sie alle in einem gut belüfteten, vor Sonnenlicht, Kindern, Hitze, Zündquellen und Poolchemikalien geschützten Ort. Die Umgebungstemperatur sollte 10 °C – 25 °C (50 °F – 77 °F) betragen. HINWEIS: Bei einer höheren Lagertemperatur kann die Batterielebensdauer beeinträchtigt werden.
  - Um den Schlauchanschluss besser aufbewahren zu können, schrauben Sie den Anschluss auf das Kartuschenventil.



## WARNUNG!

- Versuchen Sie unter keinen Umständen, den Poolsauger auseinanderzubauen.
- Sie sollten unter keinen Umständen versuchen, den Poolsauger auseinanderzubauen und das Flügelrad, den Motor oder die Batterie eigenhändig auszutauschen.

### ACHTUNG!

- Übermäßige Hitze kann die Batterie beschädigen und deren Lebensdauer reduzieren.
- Wenden Sie sich an den Händler, um den Akku auszutauschen, wenn Sie Folgendes feststellen:
  - Akku erscheint beschädigt oder lädt nicht vollständig auf.
  - Die Betriebsdauer mit einer Batterieladung ist wesentlich verkürzt. Beobachten und notieren Sie die Betriebsdauer, wenn das Gerät die ersten Male benutzt wird (nach vollständigem Aufladen). Verwenden Sie diese Aufzeichnungen als Referenz zum Vergleich der Betriebsdauer bei älteren Akkus.
- Die Batterie muss vor Entsorgung des Poolsaugers ausgebaut werden.
- Der Poolsauger ist von der Stromversorgung zu trennen, wenn die Batterie ausgebaut wird.
- Die Batterie ist sicher und gemäß den lokalen Vorschriften oder Regelungen zu entsorgen.

**HINWEIS:** Unsachgemäße Instandhaltung kann zu einer Reduzierung der Lebensdauer der Batterie führen und deren Kapazität beeinträchtigen.

## **ENTSORGUNG DES AKKUS** ( von einem autorisierten Techniker durchzuführen )

Die Batterie Ihres Poolsaugers ist ein wartungsfreies, wiederaufladbares Lithium-Ion-Batteriepack, das ordnungsgemäß zu entsorgen ist. Wenden Sie sich hinsichtlich Informationen bezüglich der Entsorgung an ihre lokale Behörde.

### **WARNUNG!** Versuchen Sie nicht, das Batteriepack auseinanderzubauen.

- Legen Sie alle persönlichen Gegenstände wie Ringe, Armreife, Halsketten und Uhren ab, wenn das Batteriepack vom Poolsauger abgeklemmt wird.
- Ein Batteriepack kann einen Kurzschluss mit einer Stromstärke erzeugen, die ausreicht, um einen Ring mit Metall zu verschweißen und dabei schwere Verletzungen zu verursachen.
- Tragen Sie beim Entfernen des Batteriepacks einen geschlossenen Augenschutz, Handschuhe und Schutzkleidung.
- Vermeiden Sie es, alle Kabel gleichzeitig zu berühren und vermeiden Sie den Kontakt der Kabel mit metallischen Gegenständen, da dies zu Funkenbildung und/oder zum Kurzschluss der Batterie führen könnte.
- Rauchen Sie keinesfalls und vermeiden Sie Funken oder Flammen in der Nähe der Batterie oder des Poolsaugers.
- Setzen sie die Batterie nicht dem Feuer oder intensiver Hitze aus, da dies eine Explosion verursachen könnte.

### **ACHTUNG!**

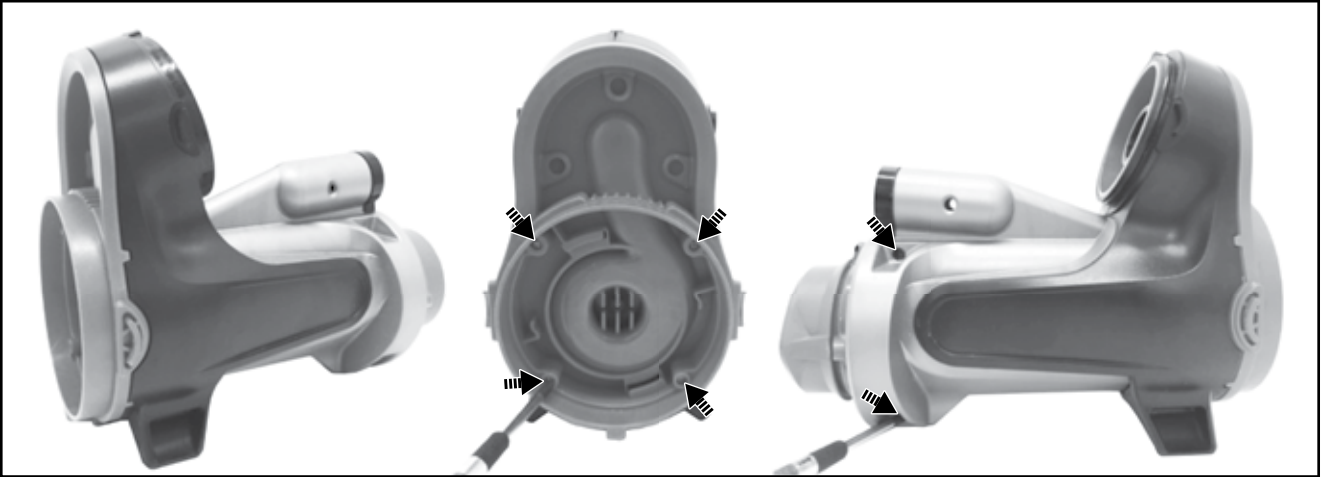
Vermeiden Sie bei einer Undichtigkeit der Batterie den Kontakt mit der austretenden Flüssigkeit und verstauen Sie die Batterie in einem Plastikbeutel.

- Sollte die austretende Flüssigkeit mit der Haut und der Kleidung in Berührung kommen, waschen Sie Haut und Kleidung sofort mit reichlich Seife und Wasser.
- Sollte die austretende Flüssigkeit in die Augen gelangen, spülen Sie die Augen sofort mindestens 15 Minuten mit kaltem fließendem Wasser und reiben Sie sie nicht. Suchen Sie schnellstmöglich ärztliche Hilfe auf.

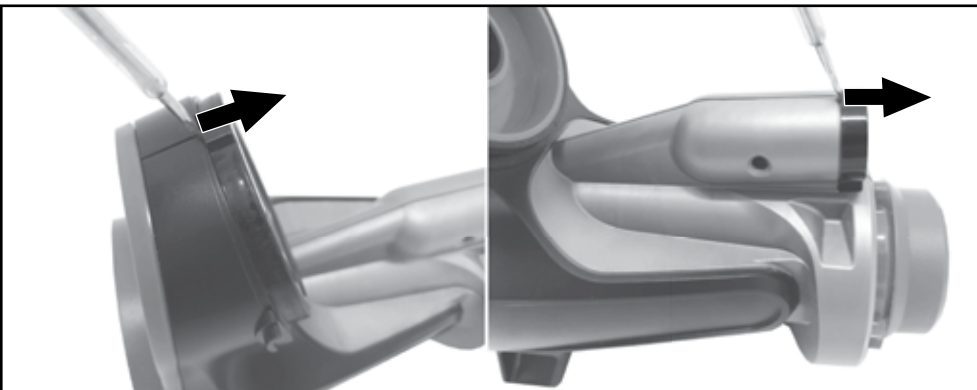
**Entfernen den Akku nur zu dessen Entsorgung** (von einem autorisierten Techniker durchzuführen)

Empfohlenes Werkzeug (nicht inbegriffen): Schlitz- und Phillips-Schraubendreher.

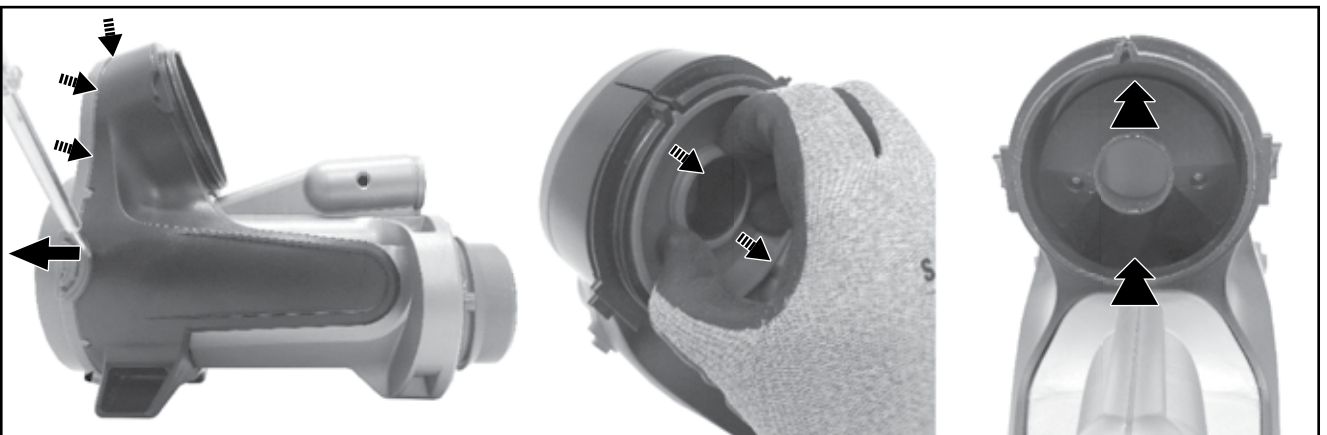
- 1) Befolgen Sie die oben genannten Anweisungen, um die Haube und den Filterkonus abzunehmen. Verwenden Sie einen Kreuzschlitzschraubendreher, um die Schrauben an der Vorderseite und an der Seite wie abgebildet zu lösen.



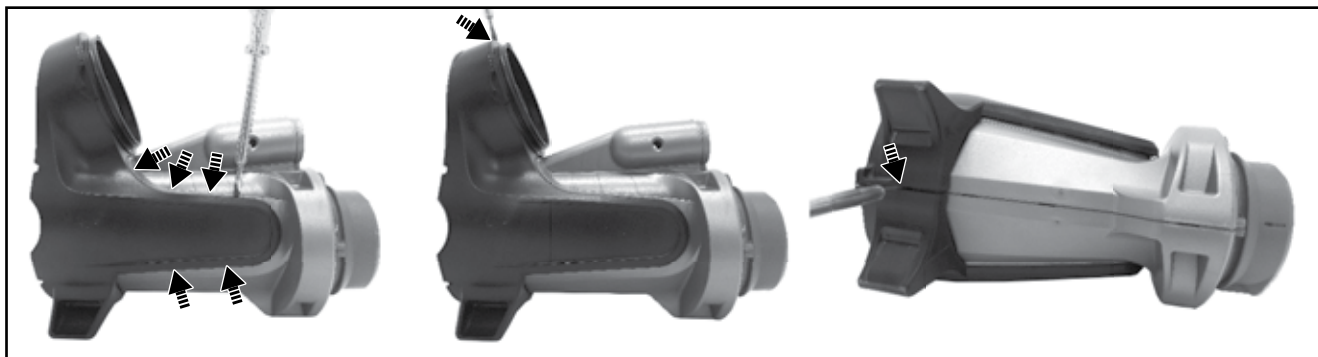
- 2) Verwenden Sie einen flachen Schraubendreher, um den Ring an der Oberseite und am Ende wie abgebildet herauszuhebeln. Wenn sich der Ring nur schwer lösen lässt, schneiden Sie ihn mit einer Zange ab.



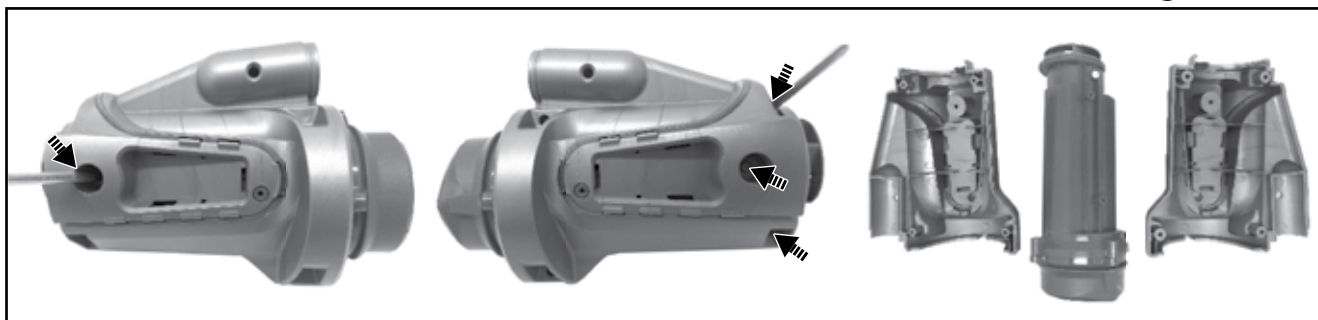
- 3) Mit einem flachen Schraubendreher entlang der Naht hinter der Frontblende hebeln. Ziehen Sie die Innenabdeckung heraus. Falls erforderlich, verwenden Sie einen Zangenschlüssel, um die innere Abdeckung zu lösen. Drücken Sie die Blende nach hinten, um die gesamte Frontblende abzunehmen.



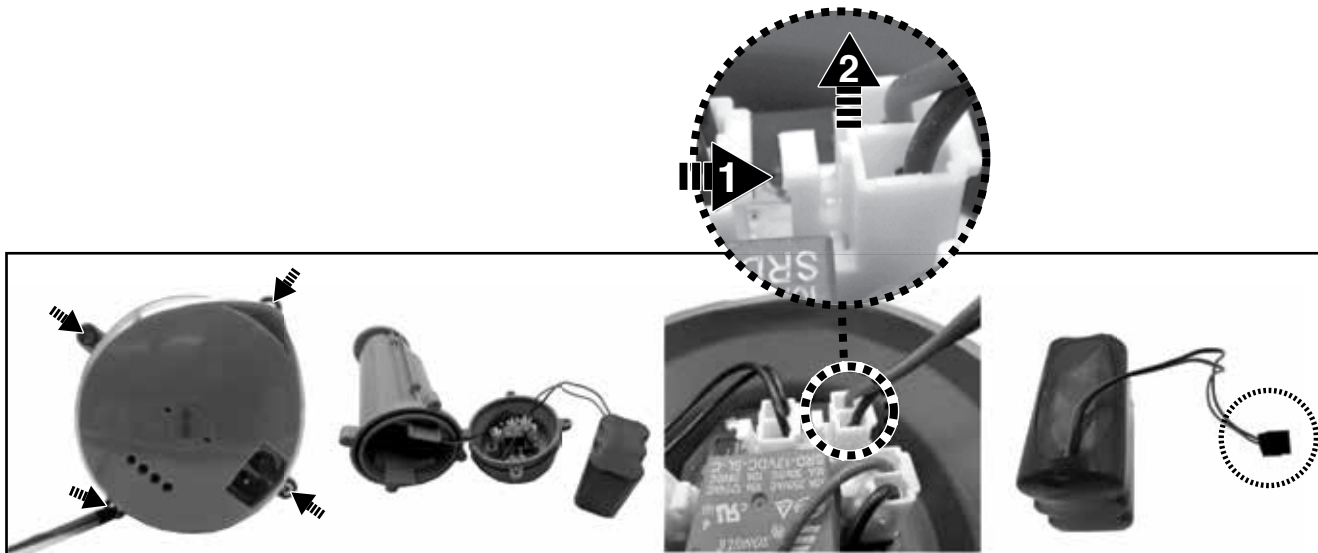
- 4) Mit einem flachen Schraubenzieher entlang der Naht hebeln, um beide Seitenabdeckungen zu lösen.



- 5) Lösen Sie die Schrauben an der Vorderseite und an der Seite wie abgebildet. Nehmen Sie die Gehäusehälften ab, um die Betriebseinheit freizulegen.





- 6) Lösen Sie die Schrauben und öffnen Sie den Deckel. Ziehen Sie die Batterie heraus und suchen Sie ihren Steckverbinder. Drücken Sie auf den Clip des Steckverbinders und lösen Sie ihn. **HINWEIS:** Umwickeln Sie den Stecker der Batterie sofort mit Isolierband, um einen Kurzschluss durch den Kontakt der beiden Drahtklemmen zu vermeiden.



# FEHLERBEHEBUNG

Störung	Mögliche Ursache	Lösung
Poolsauger saugt keinen Schmutz auf	Batterie ist entladen	Laden Sie der Batterie wieder auf.
	Flügelrad klemmt	Schalten Sie den Poolsauger ab und sichten Sie den Spalt in der Mitte des Poolsaugers, ob das Flügelrad durch größere Fremdkörper blockiert wird. Entfernen Sie nach Möglichkeit den Fremdkörper vorsichtig mit einem kleinen Werkzeug. Sofern erforderlich, wenden Sie sich für weitere Anweisungen an Ihren Händler. <b>WARNUNG!</b> Stellen Sie sicher, dass der Poolsauger abgeschaltet ist, wenn er gewartet wird.
	Flügelrad gebrochen	Wenden Sie sich zwecks Austauschs des Flügelrads an Ihren Händler.
	Behälter ist voll	Leeren Sie den Behälter.
	Der Filterkonus ist durch feine Partikel verstopft	Reinigen Sie das Filternetz. Wenn ein Bürsten erforderlich ist, verwenden Sie nur eine weiche Bürste, um den Filterkonus vorsichtig und behutsam zu reinigen.
	Patronenfilter ist voll	Folgen Sie den Reinigungsanweisungen, um die Patrone zu reinigen.
Schmutz tritt aus dem Behälter aus	Saugdüsenklappe ist gebrochen	Die Saugdüsenklappe funktioniert als eine Absperrung, um den Austritt von Schmutz aus dem Behälter zu verhindern. Tauschen Sie die Düsenklappe aus.
Schmutz gelangt in den Filterkonus	Filterkonus ist beschädigt	Tauschen Sie den Filterkonus aus.
Feine Verschmutzungen treten aus dem Reiniger aus	Filtereinsatz ist defekt	Tauschen Sie den Filtereinsatz aus.
Teleskopischer Pol-Stecker / gekrümmter Griff kann bei der Montage nicht gesichert werden	Seitenstift am Pol-Stecker / gekrümmter Griff ist gebrochen	Durch einen neuen Pol-Stecker / gekrümmter Griff ersetzen.
Der Poolsauger kann nicht geladen/wieder aufgeladen werden	Batterie ist beschädigt	Wenden Sie sich zwecks Austausch der Batterie an Ihren Händler. <b>WARNUNG!</b> Öffnen Sie NICHT den Poolsauger und tauschen Sie die Batterie NICHT eigenhändig aus. Dies könnte zu schweren oder tödlichen Verletzungen und zum Erlöschen der Garantie führen.
	Der Ladestecker ist nicht richtig an den externen Adapter und den Poolsauger angeschlossen	Siehe Bedienungsanleitung und schließen Sie das Ladezubehör richtig an.
	Externes Ladegerät beschädigt	Wenden Sie sich zwecks Austausch an Ihren Händler. <b>WARNUNG!</b> Die Verwendung eines falschen externen Geräts führt zu einer Beschädigung des Poolsaugers bzw. der Batterie und zum Erlöschen der Garantie.
Poolsauger bewegt sich nicht gleichmäßig	Rad blockiert	Befreien Sie das Rad vom Schmutz.
Die Ladezeit ist länger als angegeben	Verschmutzte Aufladestifte	Die Flecken können mit einem mit Zitronen- oder Essigsaft getränkten Wattestäbchen entfernt werden, um die Bereiche um die Aufladestifte zu reinigen.
Die Betriebszeit ist kürzer als erwartet	Der Akku ist nicht vollständig geladen	Laden Sie den Poolsauger mindestens 6 Stunden lang auf. HINWEIS: Falls Flecken auf den Aufladestifte gefunden werden, entfernen Sie diese mit einem mit Zitronensaft oder Essig getränkten Wattestäbchen.

## Umweltschutzprogramme, EEAG-Richtlinie

	Bitte beachten Sie die EU-Vorschriften und tragen Sie zum Umweltschutz bei. Geben Sie nicht funktionierende elektrische Geräte an eine von Ihrer Gemeinde beauftragte Einrichtung zurück, in der elektrische und elektronische Geräte ordnungsgemäß recycelt werden. Entsorgen Sie sie nicht in unsortierten Abfallbehältern. Entfernen Sie bei Gegenständen mit austauschbaren Batterien die Batterien, bevor Sie das Produkt entsorgen.
	Alle Rechte vorbehalten. Ohne die vorherige schriftliche Genehmigung der Kokido Development Ltd. darf dieses Dokument weder ganz noch in Teilen vervielfältigt oder in anderer Weise übertragen werden, gleich ob durch elektronische oder mechanische Verfahren oder durch Photokopie, Tonaufnahmen oder andere Verfahren. (L-23011001)

Wenn eine Kopie dieser Bedienungsanleitung erforderlich ist, wenden Sie sich bitte per E-Mail an unseren Kundendienst: [customerservice@kokido.com](mailto:customerservice@kokido.com)

# BEDIENUNGSANLEITUNG GUT AUFBEWAHREN

### **LIMITED WARRANTY**

Warranty applies to the original owner only and cannot be transferred. Contact your local dealer for warranty. The warranty does not cover:

- Normal wear and tear, including parts that might wear out over time (e.g., brush, rake, filter, filter bag, roller and its accessories, etc.).
- Accidental damage.
- Damage due to inappropriate use against the rating plate and/or instructions provided in the Operating Manual or other material.
- Damage caused by the lack of recommended maintenance.
- Damage from external sources such as transit, weather, electrical outages, or power surges.
- Failures caused by circumstances outside of recommendation (e.g., water temperature, storage temperature, instruction of use and charging environment, etc.).
- Faults caused by:
  - Negligent use, misuse, neglect, or careless operation of the appliance.
  - Use of the appliance not in accordance with the Operating Manual.
  - Use of parts not assembled or installed in accordance with the Operating Manual.
  - Use of parts and accessories which are not Genuine Components.
  - Faulty assembly or installation.
  - Repairs or alterations (if allowed) carried out by unauthorized agents.

### **GARANTIE LIMITÉE**

La garantie ne s'applique uniquement au propriétaire initial et elle ne peut être transférée. Veuillez contacter votre concessionnaire local. La garantie ne couvre pas :

- L'usure normale, y compris les pièces susceptibles de s'user avec le temps (p.ex., brosse, raclette, filtre, sac filtrant, rouleau et les accessoires, etc.).
- Les dommages accidentels.
- Les dommages dus à une utilisation inappropriée non conforme aux informations sur l'étiquette des caractéristiques, aux instructions fournies dans le manuel d'instructions ou autre matériel fournis.
- Les dégâts causés par le manque d'entretien recommandé.
- Les dégâts provenant de sources externes, telles que le transport, les conditions météorologiques, pannes d'électricité, ou surtensions.
- Défaillances causées par des circonstances étrangères aux recommandations (p.ex., température de l'eau, température de stockage, mode d'emploi et environnement de charge, etc.).
- Les dégâts causés par :
  - Utilisation négligente, mauvais usage, négligence ou utilisation imprudent de l'appareil.
  - Utilisation de l'appareil non conforme au manuel d'instructions.
  - Utilisation de pièces qui n'ont pas été montées ou installées conformément au manuel d'instructions.
  - Utilisation de pièces et d'accessoires qui ne sont pas des composants authentiques.
  - Montage ou installation non conforme au manuel d'instructions.
  - Réparations ou altérations (si autorisé) effectuées par un agent non agréé.

### **GARANTÍA LIMITADA**

La garantía se aplica únicamente al propietario original y no es transferible. Póngase en contacto con su distribuidor local para la garantía. La garantía no cubre:

- Desgaste normal, incluidas las piezas que pueden desgastarse con el tiempo (por ejemplo, escobilla a presión, rastrillo a presión, filtro, bolsa filtrante, rodillo y sus accesorios, etc.).
- Daño accidental.
- Daños debidos a un uso inapropiado en contra de las indicaciones de la placa de características y/o de las instrucciones provistas en el manual de instrucciones u otro material.
- Daños causados por la falta de mantenimiento recomendado.
- Daños causados por fuentes externas, como el traslado, el clima, cortes de electricidad o subidas de tensión.
- Fallos causados por circunstancias no incluidas en las recomendaciones de uso (por ejemplo, temperatura del agua, temperatura de almacenamiento, instrucciones de uso y entorno de carga, etc.).
- Averías causadas por:
  - Uso negligente, mal uso, descuido o uso imprudente del aparato.
  - Uso del aparato no conforme al manual de instrucciones.
  - Uso de piezas no ensambladas o instaladas de acuerdo con el manual de instrucciones.
  - Uso de piezas y accesorios que no sean originales.
  - Montaje o instalación defectuosa.
  - Reparaciones o alteraciones (si están permitidas) realizadas por agentes no autorizados.



### **BEPERKTE GARANTIE**

Deze garantie geldt alleen voor de oorspronkelijke eigenaar en kan niet worden overgedragen. Neem contact op met uw plaatselijke dealer voor garantie. De garantie dekt in geen geval:

- Normale slijtage, inclusief onderdelen die na verloop van tijd kunnen slijten (bv. borstel, hark, filter, filterzak, roller en toebehoren, enz.).
- Accidentele schade.
- Schade als gevolg van oneigenlijk gebruik dat niet in overeenstemming is met het typeplaatje en/of de instructies in de Gebruikshandleiding of ander materiaal.
- Schade veroorzaakt door het niet uitvoeren van het aanbevolen onderhoud.
- Schade door externe oorzaken zoals transport, weersomstandigheden, stroomuitval of stroompieken.
- Defecten veroorzaakt door omstandigheden buiten de aanbeveling (bv. watertemperatuur, opslagtemperatuur, gebruiksaanwijzing en laadomgeving, enz.).
- Schade veroorzaakt door:
  - Onachtzaam gebruik, verkeerd gebruik, verwaarlozing of onzorgvuldige bediening van het apparaat.
  - Gebruik van het apparaat dat niet in overeenstemming is met de Gebruiksaanwijzing.
  - Gebruik van onderdelen die niet volgens de Gebruiksaanwijzing gemonteerd of geïnstalleerd zijn.
  - Gebruik van onderdelen en accessoires die geen originele onderdelen zijn.
  - Foutieve montage of installatie.
  - Reparaties of wijzigingen (indien toegestaan) die zijn uitgevoerd door onbevoegden.

### **GARANZIA LIMITATA**

La garanzia è valida solo per il proprietario originale e non può essere trasferita. Per la garanzia, rivolgersi al rivenditore locale. La garanzia non copre:

- Normale usura, comprese le parti che potrebbero usurarsi nel tempo (ad esempio, spazzola, rastrello, filtro, sacchetto del filtro, rullo e relativi accessori, ecc.).
- Danno accidentale.
- Danni dovuti a un utilizzo non conforme alla targhetta e/o alle istruzioni fornite nelle Istruzioni per l'uso o in altro materiale.
- Danni causati dalla mancata manutenzione raccomandata.
- Danni causati da fonti esterne come transito, condizioni atmosferiche, interruzioni di corrente o sbalzi di tensione.
- Guasti causati da circostanze che esulano dalle raccomandazioni (ad esempio, temperatura dell'acqua, temperatura di conservazione, istruzioni d'uso e ambiente di ricarica, ecc.).
- Guasti causati da:
  - Uso negligente, uso improprio, negligenza o disattenzione nell'utilizzo dell'apparecchio.
  - Utilizzo dell'apparecchio non conforme alle istruzioni per l'uso.
  - Utilizzo di parti non assemblate o installate in conformità alle istruzioni per l'uso.
  - Utilizzo di parti e accessori non originali.
  - Montaggio o installazione difettosi.
  - Riparazioni o modifiche (se consentite) eseguite da agenti non autorizzati.

### **GARANTIEBESCHRÄNKUNG**

Die Garantie gilt nur für den Erstbesitzer und kann nicht übertragen werden. Wenden Sie sich für die Garantie an Ihren Händler vor Ort. Folgende Punkte sind von der Garantie nicht abdeckt:

- Normale Abnutzung, einschließlich Teilen, die sich mit der Zeit abnutzen können (z. B. aufsteckbare Bürste, Rechen, Filter, Filterbeutel, Walze und deren Zubehör usw.).
- Unbeabsichtigte Schäden.
- Schäden durch unsachgemäßen Gebrauch wegen Nichtbefolgung des Typenschildes und/oder der Anweisungen in der Bedienungsanleitung oder der Verwendung anderer Materialien.
- Schäden, die durch die Nichtdurchführung der empfohlenen Wartung verursacht wurden.
- Schäden durch äußere Einflüsse wie Transport, Wetter, Stromausfälle oder Überspannungen.
- Fehler, die durch Umstände außerhalb der Empfehlungen verursacht wurden (z. B. Wassertemperatur, Lagertemperatur, Gebrauchsanweisung und Ladeumgebung usw.).
- Fehler infolge nachstehender Punkte:
  - Fahrlässige Verwendung, Missbrauch, Nachlässigkeit oder unvorsichtige Bedienung des Geräts.
  - Verwendung des Geräts nicht in Übereinstimmung mit der Bedienungsanleitung.
  - Verwendung von Teilen, die nicht in Übereinstimmung mit der Bedienungsanleitung montiert oder installiert wurden.
  - Verwendung von Teilen und Zubehör, die keine Originalkomponenten sind.
  - Fehlerhafte Montage oder Installation.
  - Reparaturen oder Änderungen (sofern zulässig), die von nicht autorisierten Personen durchgeführt wurden.





- GB** We reserve the right to change all or part of the features of the articles or contents of this document, without prior notice.  
International patents pending
- FR** Nous nous réservons le droit de modifier tout ou partie des caractéristiques des articles ou des contenus de ce document, sans notification préalable.  
Brevets internationaux en attente
- ES** Nos reservamos el derecho de modificar la totalidad o parte de las características de los artículos o contenidos de este documento sin aviso previo.  
Patentes Internacionales pendientes
- NL** Wij behouden ons het recht voor om zonder voorafgaande kennisgeving de artikelen of de inhoud van dit document te wijzigen.  
In afwachting van internationale patenten
- IT** Ci riserviamo il diritto di modificare integralmente o parzialmente le caratteristiche degli articoli o del contenuto del presente documento senza preavviso.  
Patenti internazionali in attesa
- DE** Wir behalten uns das Recht vor, Aspekte der Artikel bzw. den Inhalt dieses Dokuments jeweils ganz oder teilweise ohne vorherige Ankündigung zu ändern.  
International zum Patent angemeldet



Manufacturer/Fabricant/Fabricante/Fabrikant/Fabbricante/Hersteller:

© 2023 Kokido Development Limited  
Unit 1319, Sunbeam Centre, 27 Shing Yip Street,  
Kwun Tong, Kowloon, HK