

TO BE CONSERVED



HEXAGONE  
MANUFACTURE

Technical manual



**SPOT**

AQUA POSITIONING TECHNOLOGY

**SPOT PRO 100**



Version UDXYGSP100N002-EN



HEXAGONE  
MANUFACTURE

[www.myhexagone.com](http://www.myhexagone.com) • [info@myhexagone.com](mailto:info@myhexagone.com) • Tél. +33 1 34 34 11 55

Dear customer,

Congratulations on your purchase of a HEXAGONE robotic pool cleaner SPOT PRO 100 and we trust you will enjoy the benefits of your new state of the art robotic cleaner.

Your appliance has been designed, manufactured and checked with the utmost care so that you will be completely satisfied with it.

To ensure a cleaned pool, in quit mind, we advice you to read this booklet of use before firts use of your pool cleaner.

You will find all required information to allow your pool cleaner working with the better conditions, in full security.

For any other additional information, contact your dealer regarding the utilization and maintenance of your cleaner.

Its service technicians are available for any questions, support or training necessary to ensure the correct operation of your robot.

Thank you again for your choice, we wish you a good and well use of your new pool cleaner.

Yoann Chouraqui  
CEO of Hexagone



# SOMMARIO

1. Introduction	4
2. Safety rules	5
A. Power supply requirements	5
B. Water requirements and pool conditions	5
C. Rules for safe use	5
3. How to install your SPOT PRO 100?	8
A. Unpacking	8
B. Electrical connections	9
4. How to use your SPOT PRO 100?	11
A. Pool entry of the Robot	11
B. Automatic mode	12
C. Manual mode	14
5. Cleaning and maintenance	16
A. What to do after use	16
B. Cleaning of filter	16
C. Preventive maintenance	17
D. Wear parts - service life	17
6. Usage tips and troubleshooting	18
7. Your warranty	21
A. Conditions	21
B. Warranty period	21
C. Purpose of the guarantee	22
D. Transport damage	22
E. Compliance	22
8. Generic controls	23
9. Spare parts and nomenclature	24
A. Robot	24
B. Trolley	25
C. Hood	26
D. Traction	27
E. The motor block	28
F. Filtration	29
G. Rollers and coatings	30
General Conditions of Sale Hexagone Manufacture S.A.S.	32

With this product you accept in a tacit and irrevocable manner our general conditions of sale.  
Photos in this technical manual are not binding.



**HEXAGONE**  
MANUFACTURE

[www.myhexagone.com](http://www.myhexagone.com) • [info@myhexagone.com](mailto:info@myhexagone.com) • Tél. +33 1 34 34 11 55

**3**

# 1. Introduction

**In order to ensure your safety and the validity of your guarantee, please read carefully and follow to the letter these instructions.**

The pool vacuum cleaner SPOT PRO 100 is the professional robot that must be used only by the qualified pool technicians. The pool vacuum cleaner SPOT PRO 100 is designed for regular maintenance of your pool up to 200 m<sup>2</sup>. It does not replace the filtration system and is used only to suck up impurities in the pool.

SPOT PRO 100 contains a large quantity of sensors protecting its various components, such as traction and pump motors etc..., or its functions : operation out of water, possible obstacles, etc... This is a unique feature confirming the high quality of this item.

The control box provides a diagnosis of the operation and the various technical parameters and reports the problems that the robot is facing. The radio control is designed for manual control and, if necessary, for automatic program interruption.

SPOT PRO 100 should only be used with equipment recommended by the manufacturer. Any other use is incorrect.

The manufacturer's instructions for use, maintenance and repairs must be strictly adhered to.

This technical manual explains how to install, handle and maintain your pool vacuum cleaner SPOT PRO 100 and how to use its radio remote control and control box to control it.

We strongly recommend that you:

- read this technical manual carefully by following the installation and operating instructions very precisely step by step to use your robot SPOT PRO 100 in the best conditions;
- keep this technical manual for the entire life of the product. It might be useful.

If you have any questions regarding the installation and use of your pool vacuum cleaner SPOT PRO 100, please call **+33 1 34 34 11 55**.

This technical manual is the translation of an original French version. In the event of any inconsistency between French and translated versions, the French version takes precedence.



**Do not throw in the trash.**

### **Product disposal - Environmental protection**

In accordance with the European directive 2012/19/EU on WEEE - Waste Electrical and Electronic Equipment, used electrical and electronic devices must be disposed of separately from domestic waste to promote its reuse, recycling or any other way of recovery, as well as to limit the amount of waste to be disposed of and to reduce waste at the same time. When disposing of this product, follow local waste disposal regulations.

## 2. Safety rules

### A. Power Supply Requirements

Power box

- ✓ Input: 110 - 240 Volts AC
- ✓ 50-60 Hertz
- ✓ Output: <30 VDC
- ✓ General protection index: IP54
- ✓ Observe your electrical obligations for the installation of the power supply boxes of 220V / 110V (NFC15-100).

Robot excluding socket on power supply unit

- ✓ Voltage: <30VDC
- ✓ Protection index: IP68

### B. Water Requirements

The pool vacuum cleaner SPOT PRO 100 is designed for cleaning the pools under the following water conditions:

- Temperature: 6° - 38° C / 43° - 100° F
- Chlorine: 0.6 - 4 ppm
- pH: 7.0 - 7.8
- Maximum salinity level (NaCl) = 5,000 ppm
- No sulfur water.

Basin depth:

- Minimum: 0.30m / 1 foot
- Maximum: 5m / 16.4 feet

### C. Rules for safe use

- Never use the pool vacuum cleaner SPOT PRO 100 when anybody, especially children or pets, is in the pool or basin.
- Never let the vacuum cleaner SPOT PRO 100 collide with people or other living things.
- The pool robotic vacuum cleaner SPOT PRO 100 can only be used, maintained and repaired by persons who are familiar with its special features and the safety instructions. Please read the user manual carefully and thoroughly familiarize yourself before using the pool robotic vacuum cleaner SPOT PRO 100.
- Do not place anything, except the radio remote control, on the pool vacuum cleaner SPOT PRO 100 or its electric control box.
- Never attempt to repair a damaged power cable. Contact your dealer for a replacement by the original cable to avoid any injury.
- Do not use the pool vacuum cleaner robot SPOT PRO 100 if you notice a problem on a part of the robot or see a defective or missing element (pump, turbine, screws, nuts or cables...).

## 2. Safety rules

- Hexagone Manufacture SAS does not guarantee the total compatibility between the pool vacuum cleaner SPOT PRO 100 and other types of wireless device such as remote controls, radio transmitters, listening loops, roller shutters.
- You are not authorized to modify the original design of the pool robotic vacuum cleaner SPOT PRO 100. All changes are at your own risk.
- The cable can in no case be shortened or extended. Place the power cable so that the moving parts are never in contact with it or that it can never be under the pool vacuum cleaner robot SPOT PRO 100.
- Do not drop the self-floating cable plug in water, as it is not waterproof. Furthermore, do not drop it on the floor, it could damage your tile and even hurt you.
- If by accident the control box falls into the water, it is imperative to disconnect the electrical socket before to pull it out. Contact your dealer to replace it with an original spare part.

**It is forbidden to open the control box when it is connected to the mains, as this action may cause an electric shock. Contact a qualified technician.**

- Never allow the robot to operate during storms.
- Always protect the control box against rain or splash water.
- Also be sure to protect the control box from the sun and high heat (maximum 35°C / 95°F), they must be stored in the shade and in the ventilated space.
- Never store the pool vacuum cleaner robot SPOT 100 and its trolley with the control box in a place where the temperature can fall below 0. Protect it absolutely from frost.

**When the mains plug is connected to your electrical installation, the robot must be completely immersed in the pool water, remaining necessarily flat on the bottom of the bassin.**

- When the mains plug is connected to your electrical installation, under no circumstances should you lift, carry or return the pool vacuum cleaner robot SPOT PRO 100.
- Always unplug the robotic vacuum cleaner SPOT PRO 100 from the mains when not in use.
- The robot vacuum cleaner SPOT PRO 100 can only be started when the mains plug is connected to your electrical installation.

## 2. Safety rules

### IMPORTANT!



Many factors influence the condition of your pool. The pool robotic cleaner SPOT PRO 100 is a very passive product that does not affect the life of your pool.

Be aware that over time, the deterioration, color loss, and brittleness of any pool lining can be caused individually or in combination by the age, chemical composition or imbalance of the pool water, improper installation, sunlight, and other factors. All of these factors can contribute to lining failure. Pool vacuum robots SPOT PRO100 will not damage the pool lining quality. Rather, on the contrary, it is more likely that the pool cover will ultimately lead to wear on the cleaner.

Thus, the presence of such problems in your pool is not related to the use or operation of a robotic vacuum cleaner SPOT PRO 100. The manufacturer assumes no responsibility for the repair or replacement of structures or components of the customer's pool. The owner of the pool must assume full responsibility for the condition and maintenance of the pool lining, water and poolside.



100/240V AC

ON



100/240V AC

OFF



### WARNING!

When the robot vacuum cleaner SPOT PRO 100 is returned, the mains plug must always be unplugged. You must **ABSOLUTELY** be sure in this before doing anything!

The mains plug must always be unplugged during all interventions on the robotic vacuum cleaner SPOT PRO 100.

Touching functioning parts can result in serious injury. It is strictly forbidden to do it!



HEXAGONE  
MANUFACTURE

### 3. How to install your SPOT PRO 100?

#### A. Unpacking

Unpack the unit with the necessary precautions. Do not use sharp tools (Cutter, ...). In the presence of a driver or a technician, check the entire robot - control box, trolley, chassis, radio control ... to detect any damage due to transport.

**In case of damage, refuse delivery.**

#### **In case of doubt, if your device was purchased:**

- directly from us, do not hesitate to make reservations on the transport voucher by briefly describing the damage suffered. Only the recipient can file a complaint with the carrier within 48 hours, and by registered letter. In addition, you must also notify us within 48 hours otherwise we will not be able to do anything.
- from a reseller, you should contact your reseller about the procedure to follow.

If your device is not in perfect condition, or if it does not work, notify your dealer immediately and do not try to turn it on again without the advice of a qualified technician approved by us.

We recommend that you keep the original packaging and materials for future transport under perfect conditions.

#### The packaging must contain the following elements:

- the robot SPOT PRO 100 with its power cable;
- Its trolley;
- its control and power supply unit;
- the remote control;
- the technical manual.

#### **In summary**

SPOT PRO 100 is composed of four main units (image below):

**A cleaning unit** containing the sucking pump, traction motors, the filter retaining the dirt and washable after use.

**A control unit**, containing the electronic elements and the safety transformer, which has to be kept min. 3.5 m far from the water (NFC15 / 100 standard). In the electronic unit, in addition to the central robot system, there is also an internal memory of the robot recording all the data necessary for the technician. SPOT PRO 100 has been created in accordance with the usual policy of its designers, namely the registration of all elements allowing to control the operations of the machine and modify them, if necessary.



### 3. How to install your SPOT PRO 100?

**A radio control** allowing the remote reading of all the functions and movements executed by the cleaner and the selection of movement and programming functions. The technician can also use the display and keypad as an analysis device to control the machine's operations and modify them, if necessary.

**A transport trolley** allowing you to move your device from its storage location to its start-up location (the robot must not roll on the ground to reach the pool).



#### **B. Electrical connections**

For your safety and the correct operation of your SPOT PRO 100 follow the instructions below:

- Place the control box at a distance of at least 3.5 meters from the edge of the pool, avoiding direct exposure to the sun or rain.
- Connect the robot cable to the control box and lock the connector.
- Only connect the control box to an electrical outlet equipped with a ground terminal and protected by a residual current protection system of 30 mA maximum (if in doubt, contact your electrical installer).
- If you use an extension cord to connect your vacuum cleaner to the mains, make sure that the control box can not be placed within 3.5 m of the pool edge.



#### **WARNING!**

**Serious damage can be done to the Robot if it is started when it is out of the water!**

### 3. How to install your SPOT PRO 100?

#### !!! IMPORTANT !!!

Consider the following recommendations for positioning the control box:

- Maintain a minimum distance of 3.5m between the control box and the edge of the pool (norme NFC15/100);
- Protect from the rain;
- Protect from direct sunlight.

If the control box is plugged into an outlet outside, it must be approved for outdoor use.

It is recommended to use a differential switch to connect the control box to the wall socket.

Always place the control box above the water level of the basin and any nearby basin or water reserve; place it at least 30 cm above the ground. It is forbidden to place the control box on the ground.

Make sure that there are no objects such as stones, branches, tools or toys in the bottom of the pool as they could prevent the completion of the program. Objects on the bottom of the pool can get stuck in the pool vacuum cleaner SPOT PRO 100 (you may need help removing the object before its program resumes).

Please remove any objects on the surface (for example, swimming lines) or at the bottom of the pool (cages, underwater games, etc.) so as not to block the normal operation of the pool vacuum cleaner SPOT PRO 100.

Switch the pool vacuum cleaner SPOT PRO 100 on by following the instructions. Be sure to keep hands and feet away from the moving parts. Never place your hands or feet underneath the pool vacuum cleaner robot SPOT PRO 100.

SPOT PRO 100 is suitable for the cleaning of pools up to 10x20m and operates in AUTOMATIC MODE using "AQUA POSITIONING TECHNOLOGY", independently choosing the most appropriate program, and in MANUAL MODE, controlled by radio control.

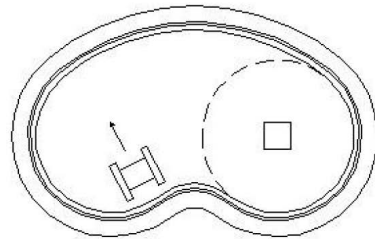
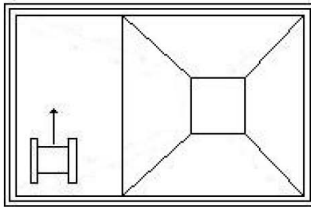
SPOT PRO 100 can also clean the walls of your pool based on the bottom&wall programme available. Very few cases make wall climbing impossible : when radius of curvature is too narrow or when the wall tiles are slippery because of micro-algae or other organic substances.

Since dirt and dust tend to deposit on the pool floor, wall climbing can sometimes be considered as unnecessary: in this case this function is excluded from the SPOT programming with the cleaner is working only on the pool bottom.

## 4. How to use your SPOT PRO 100?

### A - Pool entry of the Robot

- The trolley and the control box of SPOT PRO 100 must be positioned in such a way that the Robot can reach all the surfaces of the pool while the minimum distance between the trolley and the edge of the pool is kept at 3.5m.
- Be careful to unroll the entire self-floating cable at the pool edge, avoiding loops, before putting the unit into the water.
- Place the cable and robot into the water. Put the cleaner in the water before the start, following the simple steps described in this manual.
- Ideal starting position is one third on the longest side (see drawing below) :



- Put the cleaner in the water holding it by the handle, then make sure that all air inside comes out (turn it inside down if necessary). The cleaner will then move to the pool bottom; the SPOT logo (that is, the cleaner front side) has to face the opposite side. if you are using the special PVA brushes, wait until they are wet enough and become soft (if the brushes are very dry or new it is sometimes necessary to wait for several minutes).
- It is essential that the robot goes down by itself and lands flat on the bottom of the pool.

### IMPORTANT INFORMATION!



- **Do not operate the robot SPOT PRO 100 out of the water, as this could damage the seals of pump and motors and automatically cancel the manufacturer's warranty.**
- **Do not allow swimming when your SPOT PRO 100 is in the pool.**
- **Each time you place the cleaner in the water, check carefully all moving parts and make sure that no foreign objects - particularly in the turbine, tracks, drive belts and brushes - are preventing their proper functioning.**

## 4. How to use your SPOT PRO 100?

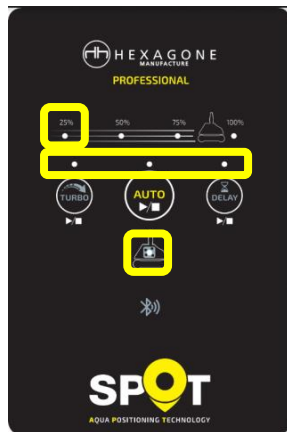
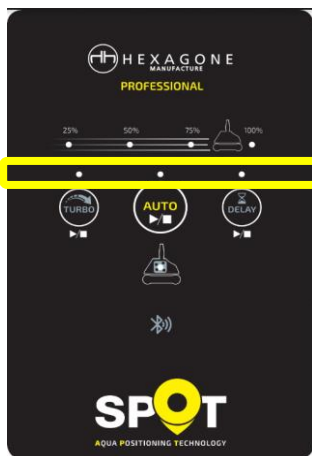
### B - Automatic mode

The robotic cleaner SPOT PRO 100 enables to avoid all minor operations that were generally needed when selecting and setting the most suitable programme for the pool cleaning.

Now, thanks to its new intelligent program "AQUA POSITIONING TECHNOLOGY", all programming operations are carried out by the SPOT PRO 100 automatically, without user action. The AUTOMATIC mode is set by the manufacturer and starts as soon as the device is switched on.

### Start-up

1. Connect the cable of pool vacuum cleaner to the control box using the black square plug (pay attention to polarization).
2. Connect the control box to the mains.
3. Wait 10 seconds for system initialization (you will see the LEDs of the 3 start buttons flashing).
4. When the LEDs are off, you can choose the desired start-up



### Program launch

When choosing a program, press the appropriate button:

- the cleaning start LED starts to flash
- the LED of the selected program lights up steadily
- the full filter indication LED flashes

## 4. How to use your SPOT PRO 100?

The robot SPOT PRO 100 will start to move to reach the opposite side of the pool collecting the pool size data. The cleaner cannot move in a straight line, this is not due to a fault in the machine itself but to external stresses deriving from cable movement, turbulence in pool water or obstacles, if any. The cleaner determines and records the suitable working programme for the cleaning of the pool, and performs the programme during the pre-set work time.

It is not possible to use the radio control during automatic mode. By pressing the STOP button on the remote control to stop the cleaning cycle, you will stop the robot. You can then use your SPOT PRO 100 in MANUAL mode.

### Stopping a program

To stop the SPOT PRO 100, either unplug it or press the key of the current program, in this case then:

- the cleaning monitoring diodes stopped
- the selected program LED turns off
- the full filter indication LED flashes

### **Start / stop function**

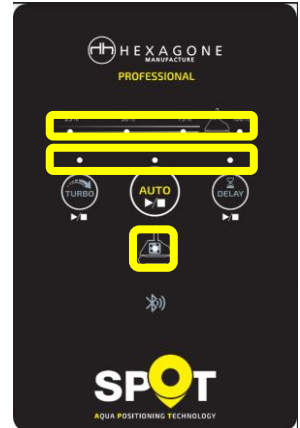
The 3 program start buttons allow the current program to be stopped at any time.

Pressing the program button will restart it at the start of its cycle.

### **WALL CLIMBING**

The function is set at the factory. A modification may be possible during a factory revision of your device

Or by intervention of a distributor having the access allowing it.



### **IMPORTANT!**

**There are certain pools where the shape, the bottom of the pool (eg central island, a high level of the bottom mouth ...) or environmental data such as a temperature (eg water at 10 ° C ...) or the chemical nature of water (eg. very high level of salinity, a permanent proliferation of algae ...) make it impossible to use your robot SPOT PRO 100 in AUTOMATIC mode. Please contact us for more details.**

## 4. How to use your SPOT PRO 100?

### C. MANUAL MODE

This mode allows the user to control the robot using the remote control. Connect the robot to the control box then connect the control box to the mains supply, wait for the device to initialize (LEDs flashing on the start buttons, see explanation in the automatic mode section). You can then start by radio control.

If your robot is in automatic mode you can switch it to manual mode by pressing the STOP button.

The robot can be CONTROLLED manually either:

- with the radio control;
- with a mobile phone on which you will have installed the corresponding application.

### Use of radio control

The front can be identified by the logo on the hood of the vacuum cleaner. There are different keys on your remote control:

- the "4 direction arrows" correspond to the orientation that you wish to give to the robot, to move forward, backward or turn your robot, you must press one of the 4 arrows.
- The "up" arrow corresponds to the forward movement of the robot.
- the arrows "up" and "down" allow to select the normal or fast speed
- the "right" and "left" arrows correspond to robot rotation: keep pressed as long as you want to turn (be careful not to twist the cable).

The "360°" button on the radio control corresponds to cleaning on the spot (one turn in one direction then the other), thus making it possible to clean a very precise place, where a suction mouth is stopped.

- The "DELAY" button allows the robot to be launched in automatic delayed start.

-The "AUTO" button allows the robot to be launched in automatic immediate start.

- The battery indicator lights up each time the button is pressed.  
Remember to change your AA batteries regularly (every year).

- The «STOP» button is used to completely immobilize the robot, ready to leave the water or to switch it on automatic mode.  
- By pressing «AUTO» and «DELAY» buttons, you can not return to the remote control without pressing first the bouton «STOP».



### IMPORTANT!

**When switching the unit on for the first time, it is advisable to perform all the various manual functions for at least two minutes before starting any automatic programme(test).**

## 4. How to use your SPOT PRO 100?

### Using Bluetooth® mode

After downloading and installing your application, you can start it.  
For your information, the 2019 logo is:

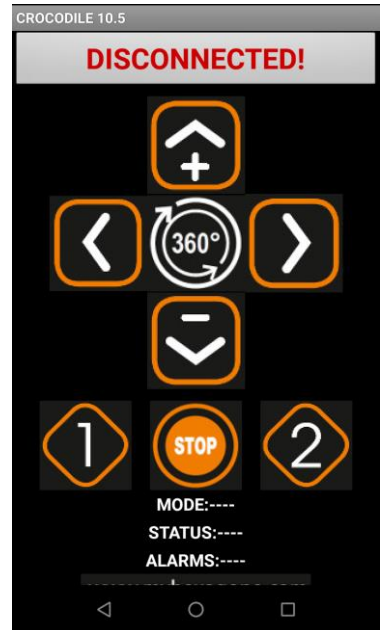


#### Then you should:

1. Connect your phone to the robot (connected to the electronic box itself plugged to the mains) nearby by pressing "DISCONNECTED! "
2. Select the device corresponding to yours.
3. You can now use your device in Bluetooth radio control mode with the same functionality as the radio control

#### **Operation of the interface:**

It is identical to that of the radio control (see **previous page**)



## 5. Cleaning and Maintenance

### A - WHAT TO DO AFTER USE

First unplug the control box from the mains.

Bring the robot back to you by gently pulling on the cable. To get it out of the pool, pull it by the handle and no longer by the cable and let the water get out .

Take immediately the filter bag and filter holder off, then wash them with fresh water and rinse your SPOT PRO 100. Roll up the cable. If a torsion occurs, roll it out ((as you would with an extension cord)), then store the robot.



#### **WARNING!**

**Any manipulation on the robot SPOT PRO 100 requires absolutely the fact that the robot is completely unplugged from the mains.**

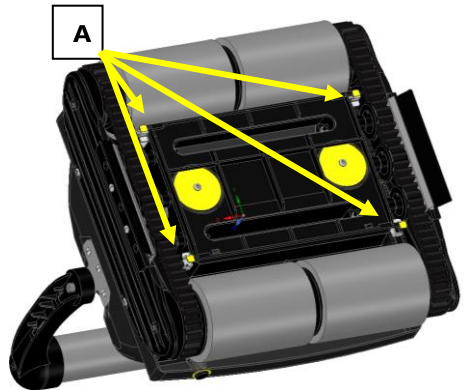
### B - Cleaning of filter

For proper cleaning of the filter bag:

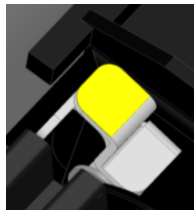
1. Turn the pool cleaner off by pressing the I button on the control panel.
2. Turn the cleaner upside-down
3. Unhook the fixing **STAINLESS STEEL LEVERS "A"**
4. Pull the black filter-holder out
5. Take the filter bag out and wash it with a strong jet of clear water or if necessary of slightly soapy water. In this case, rinse thoroughly.

**Do not wring it out, do not pass it to the washing machine.**

**Do not clean with a pressure washer.**



### Stainless steel levers



Open



Closed

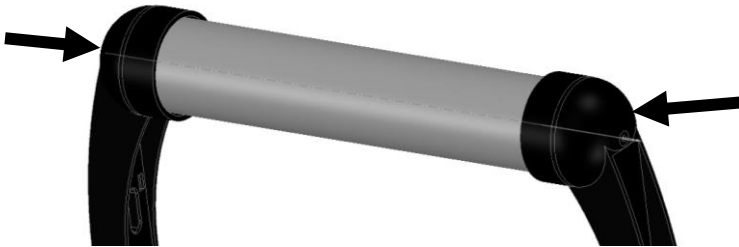


## 5. Cleaning and Maintenance

6. Put them back and fix them; fit the filter holder back and take care to respect proper direction.

The robot must be cleaned regularly with clean water and you must check and possibly remove the waste stuck in the drive or in the turbine. No external mechanical parts require special lubrication or maintenance.

**STAINLESS STEEL DETECTORS PLACED ON THE SIDE OF THE HANDLE NEED PERIODICAL CLEANING: USE A WATER-VINEGAR SOLUTION OR ANY OTHER DESCALING PRODUCT. DO NOT USE STRONG ACIDS.**



Please also note that the cleaner IS NOT DESIGNED FOR USE IN SEA WATER; if used in salt water, wash copiously with clear water each time it is pulled out from the water. We also recommend that all parts which might be subject to corrosion be checked by a technician at the end of the season.

### C - Preventive maintenance

Yearly maintenance at the end of the season is important to avoid deposits and deterioration due to water and dirt and to reach long-term economy.

A well-maintained SPOT PRO 100 will surely result in better duration, economy and safety.

### D. Wear parts - service life

Article number	DESIGNATION	Service life in hours
D00009N000	ROLLER WITH ROLLING	1500
D00009N700PVA	ROLLER WITH GRAY PVA WITH BEARING	SEE COMPONENT
DB0005N000	DRIVE BELT	1500
DB0009N950	BLACK SPOT OVERMOLD TRACK	1500
DC0002N000	PVA FOAM	750
DC0051N000-0160	LATERAL BRUSH (ON QS0109N000)	750
EEA129N000	AA BATTERY	Undefined
F00003N000-180	STANDARD 180 MICRON FILTER BAG	500
QV0004N000	PLASTIC ROLLER BEARING	1500

Replacement of the batteries is the customer's responsibility and no warranty can be applied to them except damage or non-functioning noted on delivery.

## 6. Usage Tips and Troubleshooting

### Your safety:

Your robot SPOT PRO 100 has been manufactured according to the most rigorous standards. To ensure a safe operation, follow the instructions and the security rules indicated in this technical manual.

- Only connect the Control Box to a power outlet with an earth connection and protected by a residual current circuit-breaker of 30mA maximum.
- To avoid electric shocks never open the Control Box. Call to a qualified service technician.
- Never attempt to repair a damaged power cable. Contact the After-Sales Service in order to replace it by the original cable to avoid any injury.

### Usage tips :

Use your vacuum cleaner as often as possible: you will enjoy a always clean pool and the filter bag will clog up slower.

- Never put the robot in the pool if you cannot see the bottom of the pool or in the presence of too much algae.
- Keep the original packing to store the cleaner in winter.
- Store the robot in a ventilated, frost-free room, not containing chemicals and acids.
- Do not use the cleaner to mix or suck chemical products on the pool bottom.
- Do not leave the cleaner – or even worse the RADIO CONTROL - under the sun.
- Take off or pull up wall ladders.
- All checks and modifications are to be carried out by authorized personnel only.
- THE RADIO CONTROL IS NOT WATER-RESISTANT, SO DO NOT PLACE OR DROP IT IN THE WATER AND DO NOT LEAVE IT UNDER THE SUN (HEAT CAN DAMAGE THE PART).
- For a better cleaning of the bottom of the pool, do not start working until the pool has been empty for some time and the dirt is completely down on the floor.



#### **ATTENTION !**

**Never start the machine out of water.**

**To stop the machine immediately, press the started program or STOP on the radio control, or better, disconnect the power plug from the mains.**

## 6. Usage Tips and Troubleshooting

### **In case of problem :**

#### **A - The robot slides and doesn't make good trajectories**

There may be 3 reasons:

- The filter bag is full or dirty: just clean it.
- Although the water appears clear, there are microscopic algae in your basin that are not visible to the naked eye, which make the bottom slippery and prevent the robot to roll properly. So make a chlorine shock and slightly lower the pH (between 7 and 7.3). Do not leave the robot in the water during shock treatment.
- The robot has a problem with its drive, wheel or motor, and does not have enough power to drive. => contact your reseller. Check the condition of belts and tracks that can be cleaned or replaced.

#### **B - The robot does not move**

Check that the socket on which the control box is connected is well supplied.

- Check that you have :
  - The fuse in the electrical cabinet is functional (accessible from the side of the control box without having to open it).
  - You have connected the robot to the control box before connecting the control box to the mains
  - Correctly connected the self-floating cable to the control box.

If the problem persists => contact your dealer.

#### **C - The efficiency of the cleaning seems to be decreasing**

- Check that the filter is not dirty or clogged.
- Make sure that the suction pump is working and that the turbine is not blocked by an object
- Check the condition of your brushes and your wheels
- Check that the cable is not too twisted and does not make too many loops during operation.
- It may happen that part of the pool is not cleaned properly after running your robot's automatic program. If at the end of the working cycle the pool still needs cleaning, restart the automatic programme but from the opposite wall. In this case, you can also use the manual mode to complete the cleaning, in a very short time.

## 6. Usage Tips and Troubleshooting

### **D. The robot remains balancing on step ledge**

Your robot is equipped with side brushes. Under certain specific operating conditions, it may be necessary to remove its brushes to prevent the device from getting stuck on a stair nosing.



#### **IMPORTANT !**

**In spite of careful study of the various paths to be followed by the cleaner, the cable might twist due to pool shape, obstacles, specific water flows inside the pool or other external factors. This is not a machine failure; pull the cleaner out of the water and roll the cable out, otherwise the cleaner cannot work properly.**

## 7. Your Warranty

The present conditions correspond to the French laws in force at the date of their printing.

### **A - Conditions**

We guarantee that all materials are technically sound and free of defects of materials and manufacture and that they are consistent with the state of the art and techniques at the time of entry to the market. Subsequent technological modifications applied to our products due to technological progress cannot give rise to any intervention on our part.

The warranty is limited to the repair or replacement of the equipment if a compliance defect is recognised.

The choice of the solution is at our discretion given that any application of the warranty could not exceed the resulting direct losses suffered and cannot lead to unreasonable costs to the dealer or the manufacturer.

The warranty is cancelled as of right if the equipment has been worked upon by a third party who does not belong to our workshop or by a repairer not certified by us or if modifications have been applied without our written consent. The warranty is also cancelled as of right if the operation and maintenance does not comply with the operation manual supplied with the equipment at purchase time.

All legal warranties as described in section 1641 of the Civil Code are applicable. Any text that could become Law after the printing of the present guarantee and whose terms would be in the order of public interest would automatically apply even if they are different from the present conditions.

### **The following are excluded from the warranty:**

- Replacement of wearing parts such as tracks, brushes, foams, bearings, rollers, valves, belts, filter bags. Except damage or non-functioning noted on delivery.
- The batteries are the responsibility of the customer, no warranty can be applied to them except damage or non-functioning noted on delivery
- Electrical damage caused by lightning or poor electrical connection.
- Breakage due to shocks.
- Any breakdown related or non-related to replacement with non-original parts.
- Problems arising as a result of non-compliance to the instructions of the operation manual.

Under no circumstances may the repair or replacement under the warranty extend or renew the warranty period of the device.

### **B - Warranty period**

The warranty period is 2 years from the date of invoice to the first user.

## 7. Your Warranty

### **C - Purpose of the guarantee**

During the warranty period defined above, any component recognized as defective will be repaired or exchanged by the manufacturer by a new part or another one that is in good operating condition.

Subject to any French legal provisions of public order that may be put into effect after the issue of this warranty, transport and labor costs will be borne by the user.

In case of return to the workshop, the two-way transport costs will be borne by the user, the labor costs remain the responsibility of the manufacturer.

The immobilization and deprivation of enjoyment of the equipment due to its repairs cannot give rise to any compensation. In any case, the legal warranty of the seller continues to apply under section 4 of Decree n° 78-464 of the 24th of March 1978.

### **D - Transport Damage**

The equipment is always transported at the recipient's own risk. The last is responsible to verify that the equipment is in perfect condition before accepting delivery. We can not be held responsible in this matter.

### **E - Compliance**

This equipment has been designed and manufactured according to the following standards:

- NF C15-100 Extra-low voltage supply for security
- NF EN 61000-6-3 March 2007 Electromagnetic compatibility (EMC) - Part 6-3 : generic standards - Emission standard for residential, commercial and light-industrial environments
- NF EN 60335-2-41/A1 January 2005 Household and similar electrical appliances - Safety - Part 2-41 : particular requirements for pumps

### **Additional information relative to CE certification**

The swimming pool vacuum cleaning robot SPOT PRO 100 is certified CE according to the following instructions:

- Machine directive 2006/42/CE
- C.E.M. 89/336/CEE and 93/68/CEE
- Low voltage 2014/35/UE with which the equipment is compliant.

The product has been tested under normal conditions of use.

# 8. Generic controls

Applied to the device No. series \_\_\_\_\_

<b>Step</b>	<b>Controls</b>	<b>Initials of Operator</b>	
A	Robot Tests		<b>Ok</b>
B	Trolley Tests		<b>Ok</b>
C	Control Box Tests		<b>Ok</b>
D	Packaging control		<b>Ok</b>

**The verification of controls was carried out by**

Signature:

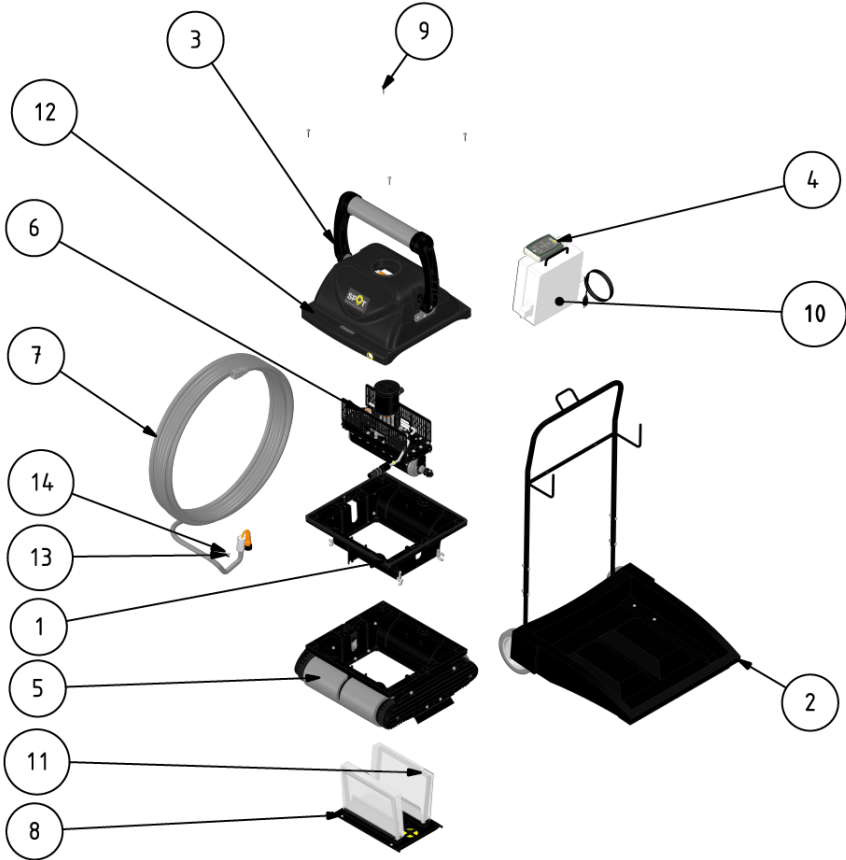
Date:



# 9. Spare parts and nomenclature

## A. Robot

NUMBER	PART NUMBER	QTY
1	AA0002N001 ROBOT BASE	1
2	K00007N000 TROLLEY	1
3	B00009N950 SPOT ARM 100-150 FULL BLACK	1
4	EG0003N000 ROBOT SPOT RADIO CONTROL	1
5	SEE DETAIL ON XYGPSP100-TRACTION PLAN	1
6	SEE DETAIL ON XYGPSP100-MOTOR BLOCK	1
7	C0CB30N700 AUTO-FLOATING CABLE GRAY30M SPOT	1
8	FB0008N000 FILTRE SUPPORT	1
9	VNFE25129-4-25-A4 SCREW PAN HEAD FLAT STAINLESS STEEL 4 BY 25	4
10	EK0503N000-F SPOT ELECTRONIC BOX	1
11	F00003N000-180 STANDARD 180 MICRON FILTRE BAG	2
12	H00004N9C0 FULL IPPO BLACK CARBON HOOD	1
13	QN0001N000 INTERNAL ROBOT CABLE CLIP	1
14	VDIN7981-3.5-13 SCREW PAN SOCKET LARGE CRUCIFORM 3.5 BY 13 - STAINLESS STEEL A2	2

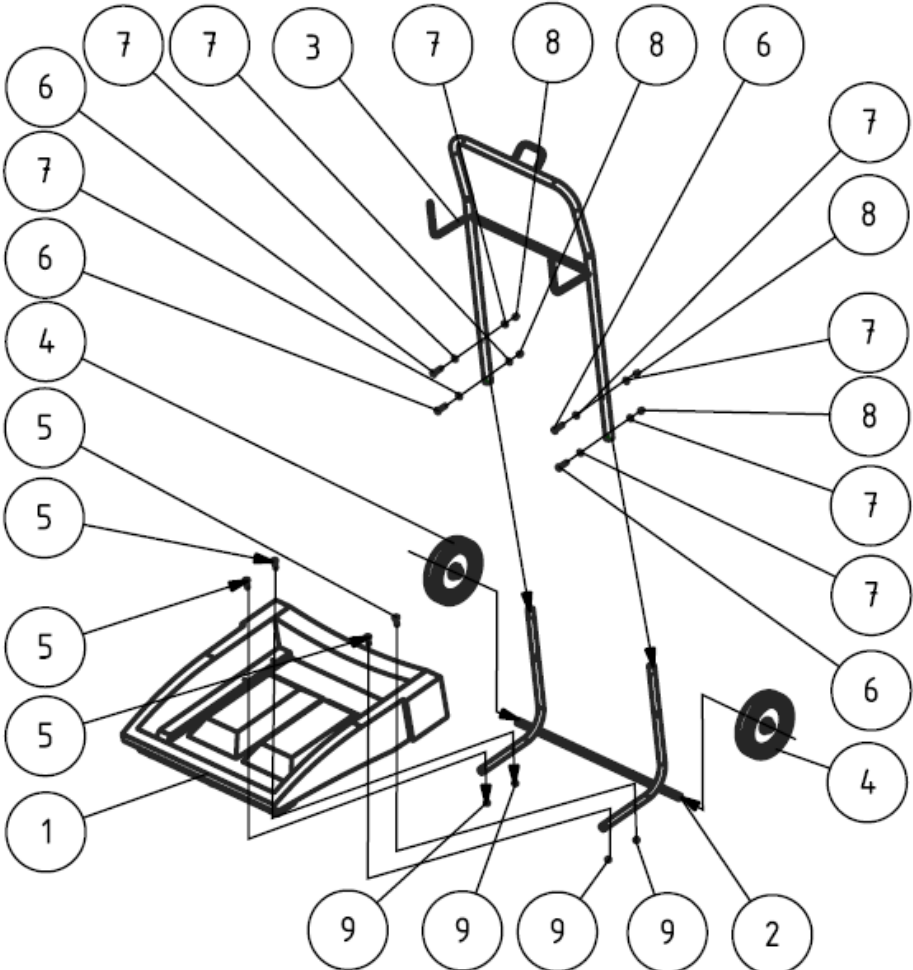




# 9. Spare parts and nomenclature

## B. Trolley

NUMBER	PART NUMBER	QTY
1	KA0038N950 BLACK BASE CROCO TROLLEY	1
2	KA0039N001 CROCO +100 TROLLEY WHEEL AXLE STRUCTURE	1
3	KA0040N001 CROCO +100 TROLLEY HANDLE STRUCTURE	1
4	DD0002N000 CROCO TROLLEY WHEEL	2
5	VNFE25129-4-20-A4 SCREW PAN HEAD STAINLESS STEEL A4 - 4 BY 20	4
6	VNFE25129-4-25-A4 SCREW PAN HEAD FLAT STAINLESS STEEL 4 BY 25	4
7	VDIN125A-M4-A4 FLAT WASHER M4 MEDIUM - STAINLESS STEEL A4	8
8	VDIN1587-M4-A4 Stainless steel A4 cap nut M4	4
9	VDIN985-M4-A4 Lock nut stainless steel A4 M4	4
10	QG0025N000 = 1cm	2
11	QE0007N000-12.8-18.0-15MM SPACER D12.8XD18.0X15mm	2



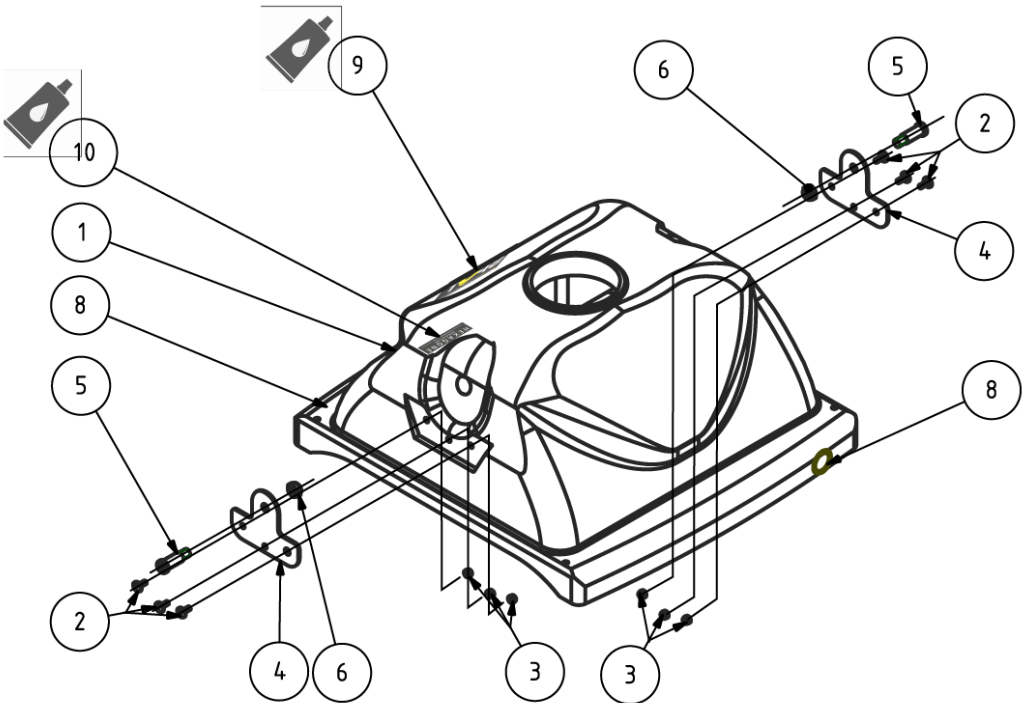
HEXAGONE  
MANUFACTURE

25

# 9. Spare parts and nomenclature

## C. Hood

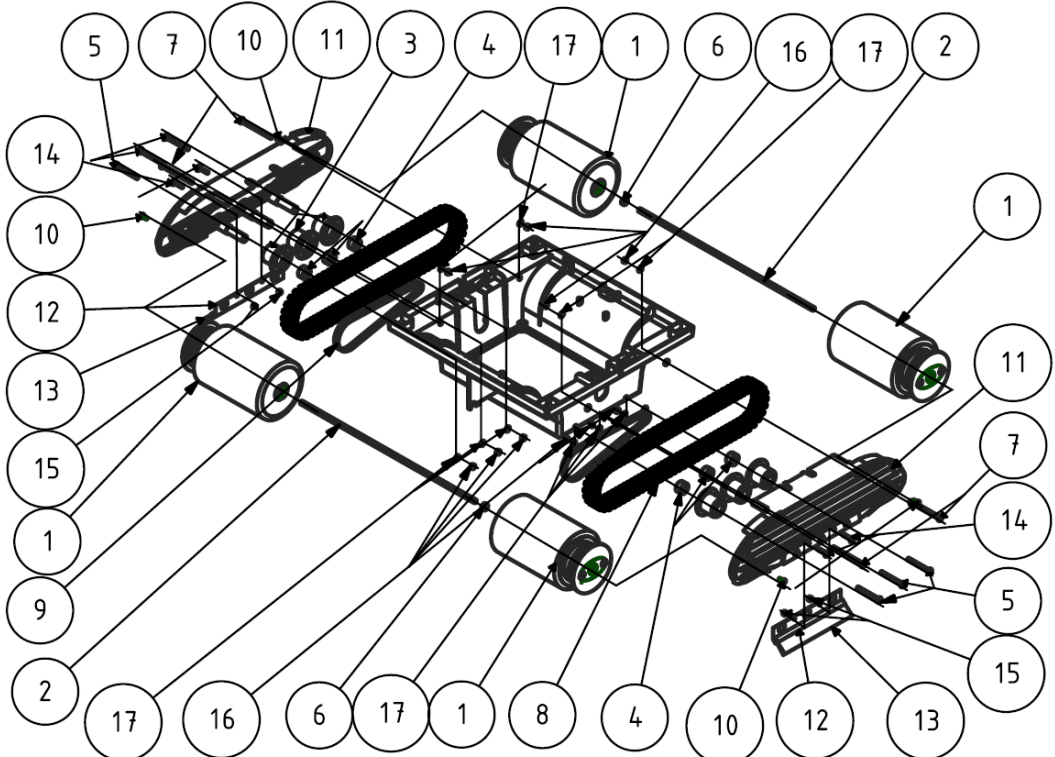
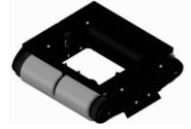
NUMBER	PART NUMBER	QTY
1	HA0002N9C0 BARE IPPO BLACK CARBON HOOD	1
2	VNFE25129-4-10 SCREW PAN HEAD STAINLESS STEEL A2 - 4 BY 10	6
3	VDIN985-M4-A4 Lock nut stainless steel A4 M4	6
4	HA0003N000 ARTICULATION SHEET ARM ON IPPO	2
5	VD0002N000 SPECIAL SCREW M8 ARM FIXATION	2
6	VDIN985-M8 Lock nut stainless steel A2 M8	2
7	VDIN125A-M5-L-A4 FLAT WASHER M5 L STAINLESS STEEL A4	6
8	HB0003N300-D19-25 IR STICKER FOR SPOT	2
9	HB0006N100-90x50	1
10	HB0002N000-60x14.5	1



# 9. Spare parts and nomenclature

## D. Traction

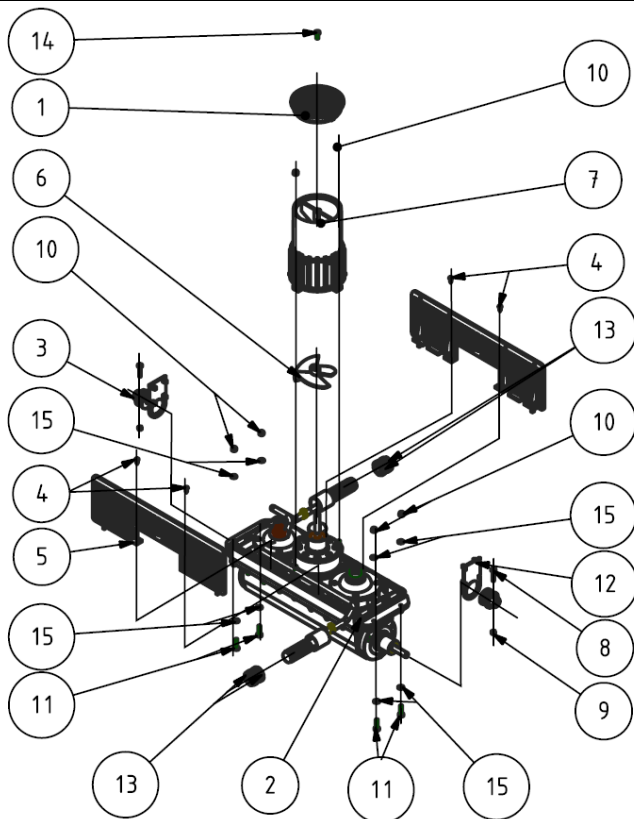
NUMBER	PART NUMBER	QTY
1	D00009N700PVA SPOT ROLLER WITH GRAY PVA	4
2	DF0002N000 HEXAGONAL ROLLER AXLE	2
3	QA0007N000 GUIDE PULLEY	6
4	QE0012N000 D20x12 GUIDING PULLEY SPACER	6
5	VDIN7985-5-50 SCREW PAN HEAD CRUCIFORM 5 BY 50 - STAINLESS STEEL A2	6
6	QE0007N000-8.2-12.0-7.5 BLACK NYLON SPACER D8.2XD12.0X7.5MM	2
7	VDIN7985-5-70 SCREW CYLINDRICAL HEAD CRUCIFORM 5 BY 70 - STAINLESS STEEL A2	4
8	DB0009N950 BLACK SPOT OVERMOLDED CRAWLER	2
9	DB0005N000 TRANSMISSION BELT	2
10	VDIN7985-4-10-A4 SCREW CYLINDRICAL HEAD CRUCIFORM 4 BY 10 - STAINLESS STEEL A4	4
11	AB0005N950 ROBOT SPOT BLACK FLASK	2
12	QS0109N000 SUPPORT PROFILE FOR SPOT BRUSH ( DC0051N000-0160)	2
13	DC0051N000-0160 STRIP BRUSH LENGTH 25MM FOR SUPPORT TYPE QS0109N000 (SS)	2
14	VNFE25129-4-20-A4 SCREW PAN HEAD STAINLESS STEEL A4 - 4 BY 20	4
15	VDIN985-M4-A4 Lock nut stainless steel A4 M4	4
16	VDIN985-M5-A4 EBRAKE NUT STAINLESS STEEL M5 - STAINLESS STEEL A4	10
17	VDIN125A-M5-A4 FLAT WASHER M5 MEDIUM - STAINLESS STEEL A4	20



## 9. Spare parts and nomenclature

### E. The motor block

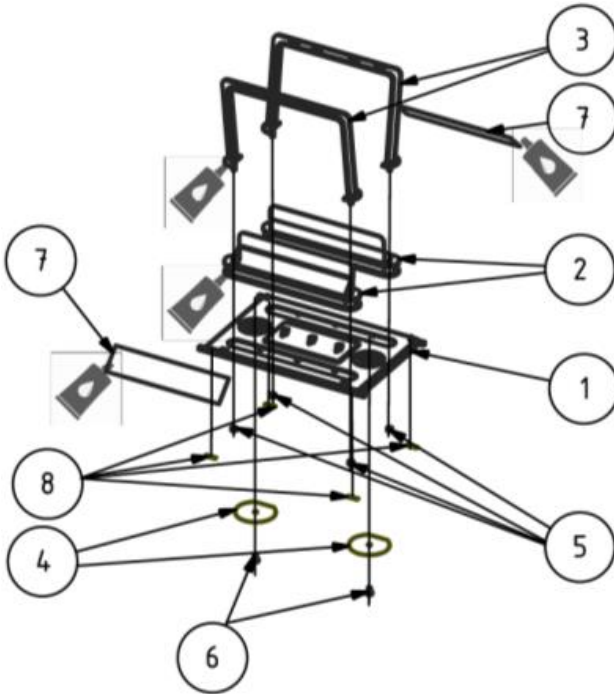
NUMBER	PART NUMBER	QTY
1	PB0008N000 PLASTIC DIFFUSER	1
2	M00032N000 SPOT MOTOR BLOCK	1
3	QA0008N000 TOOTHED PULLEY	2
4	VDIN7981-2.9-9.5 SCREW LARGE CRUCIFORM SHEET 2.9 BY 9.5 - STAINLESS STEEL A2	4
5	AF0004N000 PUMP PROTECTION GRILL	2
6	PB0007N000 PLASTIC TURBINE	1
7	PB0009N000 PLASTIC DIFFUSER SUPPORT YOYO	1
8	VDIN7985-3-20 CRUCIFORM SCREW 3 BY 20 - STAINLESS STEEL A2	2
9	VDIN985-M3 Lock nut stainless steel A2 M3	2
10	VDIN985-M4-A4 Lock nut stainless steel A4 M4	6
11	VDIN7985-4-16 CRUCIFORM SCREW 4 BY 16 - STAINLESS STEEL A2	4
12	MB0014N000 FIXING HOLDER, MOTOR BLOCK	2
13	VEPM18 Nut M18 plastic	4
14	VDIN7985-4-10-A4 CRUCIFORME 4 PAR 10 - A4 STAINLESS STEEL	1
15	VDIN125A-M4-A4 FLAT WASHER M4 M - STAINLESS STEEL A4	8



# 9. Spare parts and nomenclature

## F. Filtration

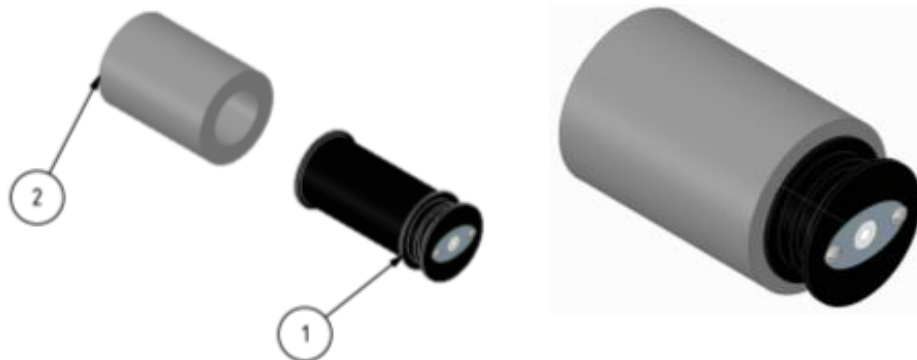
NUMBER	PART NUMBER	QTE
1	FB0009N000 BASE PLATE	1
2	FB0010N000 MOUTH VACUUM BACKGROUND	2
3	FB0015N000 VERTICAL SUPPORT OF CROCO FILTER BAG	2
4	JD0005N000 CROCO SPOT EVACUATION VALVE	2
5	VDIN934-M5-A4	4
6	VDIN7985-6LOB-5-8-A4	2
7	JD0004N000 NON-RETURN VALVE ON CROCO SPOT	2
8	HB0009N100 YELLOW STICKER SPOT PLATE	4



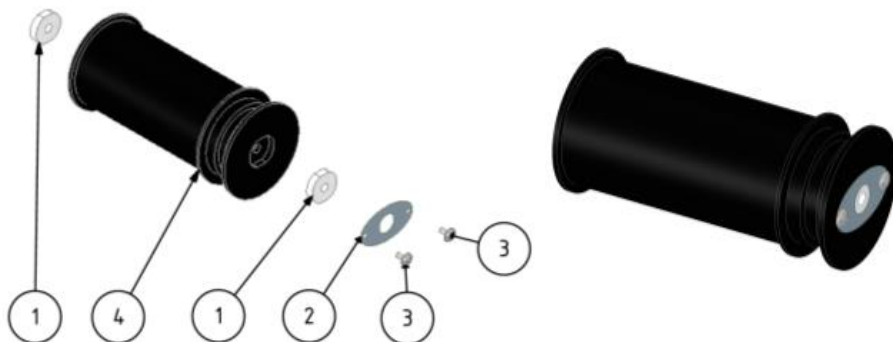
## 9. Spare parts and nomenclature

### G. Rollers and coatings

NUMBER	PART NUMBER	QTY
1	D00009N000 CROCO ROLLER WITH BEARING	1
2	DC0002N000 PVA FOAM FOR CROCO	1



NUMBER	PART NUMBER	QTY
1	QV0004N000 PLASTIC FLAT BEARING	2
2	QD0022N000 CROCO SPOT ROLLER SHUTTER	1
3	VNFE25129-5-10-A4 SCREW PAN HEAD STAINLESS STEEL A4 - 5 BY 10	2
4	D00004N000 PLASTIC ROLLER	1





# General Conditions of Sale Hexagone Manufacture S.A.S.

## I GENERAL SALES PROVISIONS:

### I.1. APPLICATION AND ENFORCEABILITY OF THESE GENERAL CONDITIONS

These general conditions of sale (hereafter, "GCS") apply systematically to every buyer (hereafter "the Customer") with the current Hexagone Manufacture S.A.S. tariff, allowing him/her to place an order. As a result, the fact of placing an order implies full acceptance without reservation by the Customer of the GCS. No specific condition may, except in cases of formal and written acceptance from Hexagone Manufacture S.A.S., prevail over the GCS. In the absence of express acceptance, no contrary condition may be raised in objection with Hexagone Manufacture S.A.S. by the Customer, regardless of the time when it may have been brought to its knowledge. The fact that Hexagone Manufacture S.A.S. does not avail itself at any given moment of any one of these GCS may not be interpreted as a waiver of the right to avail itself of this at a later date. These GCS prevail over any Customer general conditions. These GCS apply to all countries.

### I.2. ORDER:

Order means any order relating to products which appear in our tariffs, and accepted by Hexagone Manufacture S.A.S. Offers made by our agents or by telephone shall only constitute a commitment on our side after written confirmation from us. The Customer shall be deemed in agreement with the content of our confirmation if, within eight (8) days, he/she has not shared his/her observations with us in a written registered mail with acknowledgement of receipt. In the absence of any written observation, the order shall be deemed irrevocable. The order is non-transferrable and may not be transferred without the agreement of Hexagone Manufacture S.A.S.

### I.3. ORDER FULFILMENTS:

We reserve the right to make any modifications or improvements we deem necessary to our products at any moment, without this serving as grounds for a Customer to cancel an order, or requiring us to make any modifications or improvements to previously-delivered products.

### I.4. CANCELLATION OF ORDERS:

No order can be cancelled by our Customers without our prior and express agreement.

In any case where Hexagone Manufacture S.A.S. should accept the cancellation of an order, any deposit paid by the Customer shall be retained by us in compensation.

### I.5. DELIVERY:

Deliveries are carried out by freight forwarders either directly to the Customer or via a carrier.

#### 1.5.1. DELIVERY TIMES:

Delivery times as well as transportation times are determined on a case-by-case basis and are entirely indicative and without guarantee. Unless there is a contrary agreement, they shall never constitute a commitment on our side. Any delay to delivery shall not constitute grounds to terminate the order, or grounds for refunds, damages or interests, deductions, compensation, cancellation of the current order or the refusal of goods, as well as any kind of indemnity. If in cases of force majeure, and especially: fire, flood, discontinuation of product, machinery breakdown, war, riots, requisition, required reduction of imports, accident or manufacturing delay at our suppliers, delay to transportation of goods, as well as in cases of the occurrence of any event beyond our control which prevents the execution of the contract under normal conditions, whereby manufacture and/or delivery have been prevented or delayed, then our contractual obligations shall be suspended for as long as the case of force majeure exists, without any responsibility borne by Hexagone Manufacture S.A.S., even if a firm timescale has been confirmed. If the case of force majeure should continue for longer than forty-five (45) days, the more diligent party may, if it wishes, cancel the order affected by the case of force majeure without either of the parties laying claim to the payment of damages and interests.

#### 1.5.2. TRANSFER OF RISKS

The transfer to the Customer of risks of loss, theft or damage of goods sold, as well as the damages these may cause, shall be effective from the moment the courier takes possession of the order. The Customer shall, as a result, take out insurance covering these risks pertaining to the reception of goods for delivery by the courier.

#### 1.5.3. TRANSPORT

Unless otherwise stipulated, delivery shall be made by our accredited couriers with shipping costs billed to the Customer in addition to the price paid for the goods. Hexagone Manufacture S.A.S. cannot be held responsible for damage which occurs during transportation or unloading. Goods shall always travel at the Customer's risk, even in case of returns or despatches sent carriage paid or C.O.D. The Customer shall be responsible for checking that the goods are in good condition at the moment of delivery. They shall also check the quality, quantity and reference of goods, as well as that they match the original order. The Customer shall relay, where necessary, any concerns to the courier concerning missing and/or damaged goods, the type of damage and the extent thereof.

Information and photos in this technical manual are not binding and may be modified at any time and without prior notice by Hexagone.



# General Conditions of Sale Hexagone Manufacture S.A.S.

These concerns must be communicated to the courier by the Customer by extra-judicial act or registered letter with acknowledgement of receipt within three (3) days, not including bank holidays, of the reception of said goods (article L133-3 of the French Code of commerce); one copy shall also be addressed to Hexagone Manufacture S.A.S.. All recourse shall be sought from the carrier. Where, in accordance with reasonable commercial standards, Hexagone Manufacture S.A.S. carries out additional transportation operations, such as loading, wrapping, securing, taking out an insurance policy, customs formalities etc. it shall only act as a representative of the consignee who retains their responsibility for the cost, risks and perils of such operations.

## I.6. COMPLAINTS AND RETURN OF GOODS

Without prejudice to claims made against the carrier by the Customer, such as those included in article 1.5.3., in the case of visible defects or missing products, any complaint, whatever its nature, relating to delivered products, shall only be accepted by Hexagone Manufacture S.A.S. if it is made in writing, by registered letter with acknowledgement of receipt, within fifteen (15) days following the delivery date. No goods may be returned without our express agreement and goods may only be returned if fit for resale. The Customer shall allow Hexagone Manufacture S.A.S. to verify any defects to allow for these to be remedied. He/she shall abstain from intervening themselves or from seeking intervention from a third party. The cost and risk of returns shall be borne by the Customer at all times. Any goods returned without our agreement shall be made available to the Customer and shall not lead to the establishment of an asset. Justified returns shall be subject to a replacement of the product as deemed most appropriate by Hexagone Manufacture S.A.S. in light of the Customer's needs or, where it is impossible for us to do so, a credit shall be made to the Customer after we have verified the quality of the returned machine, which shall exclude any compensation or damages and interests, deduction of the price of usable accessories, missing equipment and the cost of returning it to good working order. In cases where Hexagone Manufacture S.A.S. accepts the return of goods in conformity with the initial Customer requirements, the purchase price of said goods shall be paid to the Customer to a maximum of 75% of the billed value.

## I.7. PRICE AND PAYMENT

1.7.1. Prices, information and technical characteristics which can be found in our catalogues, tariffs, prospectus, technical specifications or other documents are indicative and cannot be deemed firm offers. These documents have no binding nature and can be modified at any moment and without prior notice. Our prices are expressed in Euros. Any taxes, duties or other contributions to be paid in accordance with French legislation and regulations, or those of an importing or transit country shall be borne by the Customer.

1.7.2. Our materials are always billed at the current tariff at the moment when the order is confirmed by Hexagone Manufacture S.A.S., and are less tax from the moment they depart our headquarters in Argenteuil, carriage and packaging not included.

1.7.3. A fixed sum of 21 € less tax on charges for all invoices of under 80 € less tax.

1.7.4. Our invoices are payable upon reception unless a different payment schedule is indicated on the invoice. Only the cashing of a paper instrument or cheque or the reception of a bank transfer shall be considered as valid payment under these GCS. In cases of payment by bills of exchange, the Customer is required to return the accepted paper instruments presented to them within a maximum of seven (7) days. Any amount including tax not paid within the allotted time shall give rise to a payment by the Customer of delay penalties fixed at 3% per month's delay, as well as a fixed rate of compensation to cover losses to our Company of a total of FORTY (40) EUROS. If the recovery costs are greater than the amount of said compensation, our Company shall then seek, with supporting documents, additional compensation (articles L.441-6 et D.441-5 of the code of commerce).

1.7.5. Recourse to our warranty obligation or any other demand of any kind that the Customer may make shall not allow him/her to in any case or under any pretext retain or delay payments owed to us, it is also expressly required that any delay or failure to pay should lead to the ceasing of recourse to our warranty and agreements.

1.7.6. Our sales are made fully and without exception at our Argenteuil headquarters, unless otherwise specified. Acceptance of our bills of exchange or payment by any other means shall not constitute either a renewal of or a derogation from this clause.

1.7.7. Failure to accept our drafts or payment default at the expiry of a bill of exchange or an invoice, and whatever the mode of payment or in cases of cessation of activity or cessation of funds, shall lead to the forfeiture of the term, requiring that all debts to us, including those not yet expired, be paid immediately. It shall also lead to the suspension or resolution of tenders, contracts and orders in progress, without possibility for the Customer to argue an unjustified refusal of sale, or claim any kind of compensation.

## 1.8. TRANSFER OF PROPERTY – OWNERSHIP RESERVE CLAUSE

Hexagone Manufacture S.A.S. reserves ownership of goods sold until effective payment of the full price for the main goods and accessories, even in cases of granting of payment terms.

Information and photos in this technical manual are not binding and may be modified at any time and without prior notice by Hexagone.



HEXAGONE  
MANUFACTURE

www.myhexagone.com • info@myhexagone.com • Tél. +33 1 34 34 11 55

33

# General Conditions of Sale Hexagone Manufacture S.A.S.

The Customer may in no case resell, pledge or grant a guarantee on the good delivered and not fully paid for. Payment default on any deadlines may lead to goods being reclaimed. Where reclaims are made, deposits already paid shall be retained by Hexagone Manufacture S.A.S. in compensation.

## **II WARRANTIES AND RESPONSIBILITIES:**

**II.1.** Goods must be verified by the Customer upon delivery, and any complaint, reservation or dispute relating to missing goods or apparent defects should be made within the provisions of article 1.6. In case of apparent defects, defective parts shall be replaced by Hexagone Manufacture S.A.S. or the goods replaced, subject to verification of the alleged defects. The Customer shall supply any documentation or elements which demonstrate the extent of observed defects. No complaints can be made by the Customer more than fifteen (15) days after the delivery of the goods. Indications of performance, speed, consumption power, weight etc. are only given on an indicative basis and without any commitments or guarantees on our side, any inaccuracies may in no case give rise to the termination of an order or a request for compensation.

**II.2.** Our products are aimed at professionals, and as such should only be handled by individuals who have received free training on the product offered to the Customer by Hexagone Manufacture S.A.S. or its accredited distributor. Our pool cleaners are guaranteed against any material and construction defects for a period of twenty-four (24) months from the delivery date and for up to 1200 hours of use. Our devices other than pool cleaners are guaranteed for 12 months from the delivery date. Our warranty only applies to products which have become the property of the Customer.

**II.3.** We shall no longer be bound by our warranty obligation in cases where the warranty terms on some aspects of our products are breached without our express agreement.

**II.4.** Our warranty is limited to the replacement or repair of parts which we deem defective, excluding any other damages.

**II.5.** Hexagone Manufacture S.A.S. accepts no responsibility in cases of operating losses, loss of time or of any other indirect loss caused by its goods. The Customer must seek a substitute to defective equipment. Furthermore, the client shall comment on the usage scope of the equipment in case of defects observed on the material by themselves or in the place of use or on their mode of use.

**II.6.** All standard new or exchanged spare parts are guaranteed for 6 months for a maximum 500 hours of use.

**II.7.** Warranty on consumable parts. Filters, brushes, crawlers, belts, cables, trolley tyres are considered consumable parts, whose warranty is limited to 6 months and a maximum of 300 hours of use.

**II.8.** Exclusions to warranty in the following cases:

damage and wearing resulting from a special, abnormal or otherwise application or assembly, carried out by the Customer or a third party without prior and written agreement from Hexagone Manufacture S.A.S.; use of our goods in conditions of use or performance which do not conform with the technical specifications of Hexagone Manufacture S.A.S., and more generally inappropriate or clumsy usage; damage or accident caused by the intervention of an employee of the Customer not trained to use the product or a company not accredited by Hexagone Manufacture S.A.S.; defects and/or damage to goods following maintenance not carried out in line with Hexagone Manufacture S.A.S. recommendations or failure to maintain, or irregular storage and/or conservation conditions by the Customer; whereby the Customer fails to notify Hexagone Manufacture S.A.S. in writing (specifically by fax or email) from the moment they observe the defect to the product under warranty and whereby they maintain in service a part or section of the defective product which may lead to further and more significant damage to the product or to the place of use. Malfunctioning as a result of normal wearing (e.g.: snapped belts, dead remote control batteries, bare brush-heads, etc...) or linked to problems with linings of and/or to specific shapes of pools which do not conform with the specification table required by Hexagone Manufacture S.A.S.; breakdown as a result of incorrect electrical installation, current fluctuations, poor connections or even the failure to observe by the Customer the electrical standards in force in the country of use; damage caused by external accidents: fall, transportation, fire, flood, melting, blackout, short-circuit, as well as accidents such as shocks, power-cuts, the introduction of foreign objects and/or liquids (acid, cleaning product, chlorine, water, tropical rainfall, etc...); where a third party or the Customer themselves has opened the electric control box and/or the engine or pump or gyroscope without our written agreement. The anti-corrosion warranty does not apply to sulphuric water or that without daily cleaning with stainless steel clear water.

As a result, Hexagone Manufacture S.A.S. shall not be held responsible for material damage or accidents suffered by individuals as a result of one of the cases listed above.

Shipping and returns costs incurred by the application of the warranty shall be borne by the Customer. We accept no responsibility for damage caused to property due to our products following an equipment failure or a construction defect to equipment sold.

Information and photos in this technical manual are not binding and may be modified at any time and without prior notice by Hexagone.

# General Conditions of Sale Hexagone Manufacture S.A.S.

## PLEASE NOTE

The length of warranty for the defective equipment or part under guarantee shall be extended by a duration equal to the time spent in our servicing department where this is longer than a week. Outside of warranty repairs are subject to an estimated charge of 150 Euros less tax. This amount is only due if the Customer turns down repairs.

Any parts delivered by Hexagone Manufacture S.A.S. shall be invoiced at the moment of delivery.

In cases of warranty claims, said defective piece shall be returned to Hexagone Manufacture S.A.S. within a month maximum for assessment and work. Beyond this time, we can no longer accept it. Hexagone Manufacture S.A.S. shall in no case be held solely responsible for the cleanliness of pools. It is therefore recommended that the Customer always have access to a substitute for a defective machine.

If a technician from Hexagone Manufacture S.A.S. should establish that the breakdown is not covered by warranty, the technician may invoice for the uncovered problem in line with the current tariff.

Following testing of equipment under guarantee whose defect has not been found during servicing, the Customer shall be billed for the time spent looking for the defect.

Mode of intervention: you can contact the technical service by calling 0134341155 or any other Hexagone Manufacture S.A.S. agency. For work done under warranty, equipment or parts may only be sent to the following address: Hexagone Manufacture S.A.S., 34 rue du Perouzet, 95100 Argenteuil, France, quality service.

To request work under warranty, the Customer must fill in a sheet authorising the work, including the device's serial number, the in-service date, the number of the replacement part, as well as observations regarding the defect observed.

## III. INDUSTRIAL PROPERTY:

Any technical documents sent to our clients remain the exclusive property of Hexagone Manufacture S.A.S., the sole holder of intellectual property rights over these documents, and must be returned to us upon request. In accordance with laws currently in force, it is forbidden for customers to fully or partly reproduce our technical and commercial documents and to make any use of them which is liable to violate the industrial or intellectual property rights of our company. The Customer shall undertake not to divulge these to any third party.

## IV. INTERNET

We reserve the right to ask for removal of our products from sale on a website which does not respect our commercial policy in terms of price and trading conditions.

## V. TERMINATION CLAUSE

In cases where any one of the Customer obligations is not respected by the latter, sale may be terminated fully within rights, and goods returned to Hexagone Manufacture S.A.S. as it sees fit, without prejudice to any damages or interests which Hexagone Manufacture S.A.S. may assert to the Customer, within 48 hours after a formal notice which goes unanswered. In this case, Hexagone Manufacture S.A.S. is within its rights to seek a fixed rate of compensation of 15% of the total sale price from the Customer, as well as default interests and any legal fees incurred.

## VI. PROFESSIONAL WASTE ELECTRICAL AND ELECTRONIC EQUIPMENT (EEE)

In accordance with the provisions in articles R543-195 and R543-196 of the Environment Code modified by Decree n°2014-928 of the 19 August 2014, our Company has hereby joined the accredited eco-body LOXY at Parc d'Activité du Vert Galant 17 rue Antoine Balard – 95310 Saint-Ouen l'Aumône (RCS Pontoise 482.644.952) with a view to ensuring the collection and treatment of professional waste electrical and electronic equipment.

## VII. APPLICABLE LAW – ATTRIBUTION OF COMPETENCE

This contract is governed by French law. The application of the Vienna Convention on Contracts for the International Sale of Goods is specifically excluded. Any dispute relating to the forming, implementation or termination of contractual obligations between the parties which does not lead to amicable settlement shall be referred to the French courts. In case of any dispute with professionals and/or merchants, this shall be referred to the TRIBUNAL OF COMMERCE OF PONTOISE within whose area of jurisdiction Hexagone Manufacture S.A.S.'s headquarters is situated, whatever the conditions of sale and mode of payment accepted may be, even in cases of incidental claims, warranty appeal or of more than one respondent, Hexagone Manufacture S.A.S. reserves the right to refer the case to the competent local jurisdiction where the Customer's headquarters are situated.

## VIII. PARTIAL NULLITY

If one of the clauses or provisions of these GCS should be annulled or declared void by a definitive court ruling, such nullity or void nature shall be without prejudice to the other clauses and provisions, which shall continue to apply.



# Find us on:



[www.myhexagone.com](http://www.myhexagone.com)



**Our Youtube channel :**  
hexagone manufacture



**Facebook :**  
myhexagone



**Twitter :**  
@HexagoneManufac



**Our application :**  
App Store and Android  
(opening May 15, 2019)



**Our flash code :**  
watching products videos



Version UDXYGPSP100N002-EN



[www.myhexagone.com](http://www.myhexagone.com) • [info@myhexagone.com](mailto:info@myhexagone.com) • Tél. +33 1 34 34 11 55