

LED pool light Remote Control

OWNER'S MANUAL

PL-REM

Long range DuraLink™ version



Spectravision™
lighting


**Controls Spectravision Pool Lights
and 2 auxiliary circuits**

Table of contents

| | |
|---|----------|
| Technical specifications | Page 3 |
| Box contents | Page 4 |
| Installation instructions | Page 5-6 |
| Pairing Handheld Transmitter & controller | Page 7 |
| Handheld transmitter functions | Page 8 |
| Replacing transmitter battery | Page 8 |
| Troubleshooting | Page 9 |

Technical specifications

Electrical specifications

| | |
|---|--|
| Nominal Input voltage | 230 VAC 50 Hz |
| Max rating Relay Contacts "Color&Light", "A" and "B" | |
| Resistive Load | 14A 250VAC 14A 30VDC |
| Inductive Load | 6A 250VAC 6A 30VDC |
| Frequency band transmitter | 868 MHz |
| IEC Protection Class | Class II  |

General specifications Controller

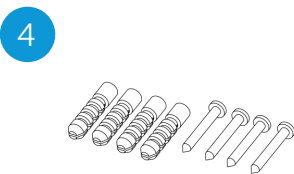
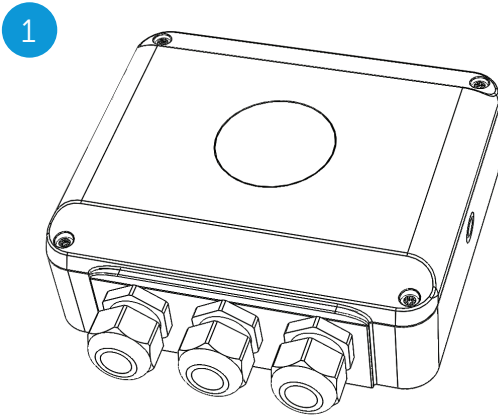
| | |
|-------------------------|----------------------------------|
| Ambient air temperature | 0°C ... +40°C |
| Humidity | 10% ... 90% RH non condensing |
| Dimensions | 150x157x51 mm |
| Weight | 500 g |
| Ingress protection rate | IP54 |



For operation only with 12VAC safety isolation transformer to power Spectravisio[®] LED Pool Lights

Box contents

1. PL-REM controller
2. Handheld transmitter (DuraLink™ version)
3. Spare battery (type A23 12V)
4. Screws (4x) & wall plugs (4x)
5. Owners's manual




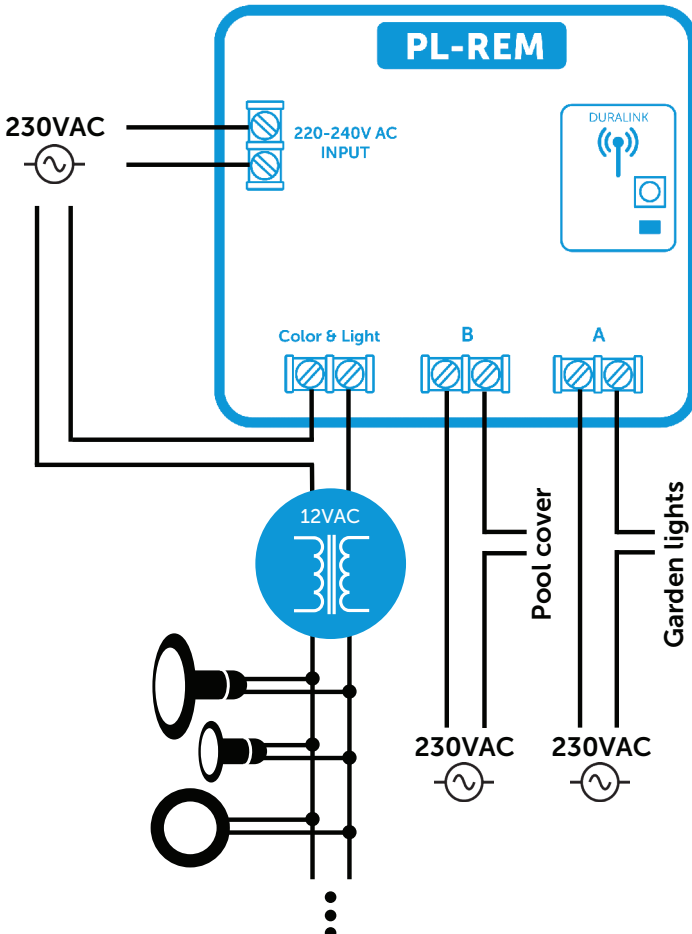
Installation instructions

Option 1: PL-REM in transformer primary

- Connect a 230VAC power source to the "220-240VAC INPUT" terminal
- Connect the primary circuit of a 12VAC transformer (sold separately) in series with the "Color&Light" terminal of the PL-REM.

Optional: The "Switch A" & "switch B" terminals can be used to control auxiliary circuits like a pool cover or garden lights.

 The "Color&Light" relay contact has an output of 14A, which can drive a 12V transformer of max. 3000W (220Vx14A).



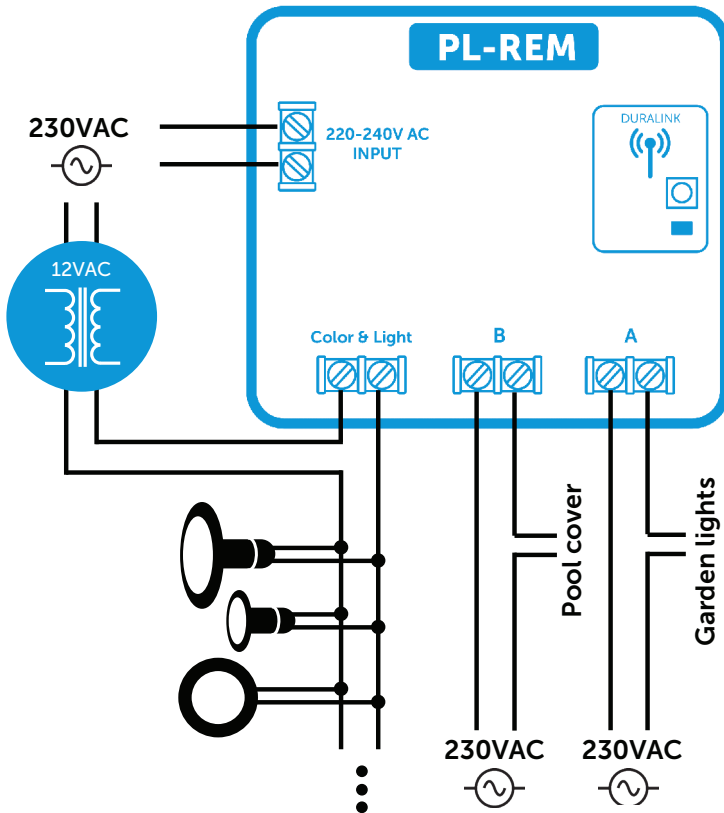
Option 2: PL-REM in transformer secondary

- Connect a 230VAC power source to the "220-240VAC INPUT" terminal
- Connect the secondary circuit of a 12VAC transformer (sold separately) in series with the "Color&Light" terminal of the PL-REM.

Optional: The "Switch A" & "switch B" terminals can be used to control auxiliary circuits like a pool cover or garden lights.



The "Color&Light" relay contact has an output of 14A, or 170W on a 12V transformer secondary (14Ax12V). The total load of pool lights can not exceed this.



Pairing handheld transmitter & controller

The handheld transmitter is already paired in the factory and ready to use. The PL-REM can pair with up to 6 handheld transmitters. In case a problem arises, the pairing process can be done manually:

Manual Pairing process:

Make sure the PL-REM is connected to a power source.

1. Press the pairing button on the small circuit board, inside the controller for at least 5 seconds.

--> The LED will start to blink fast

2. Within 25 seconds, press any button on the handheld transmitter.

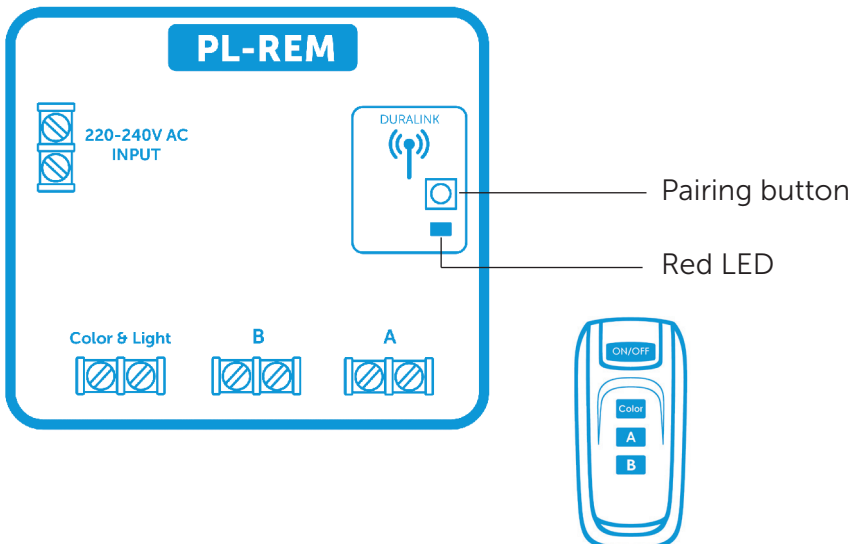
--> If the transmitter is paired correctly, the LED will flash slowly for 5 times

--> If the PL-REM pairing memory is full, the LED will flash 15 times.

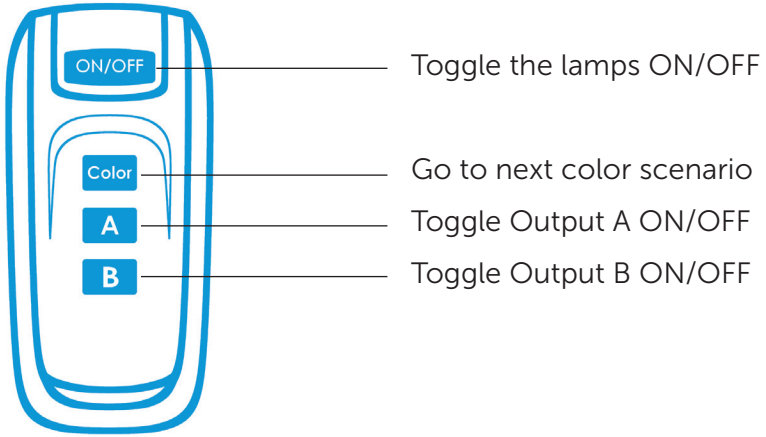
This means 6 handheld devices have already been paired.

To unpair all handheld transmitters with the controller: Push the pairing button for at least 5 seconds, then do nothing for at least 25 seconds.

--> The pair memory will be erased - the red LED will flash 5x on/off.



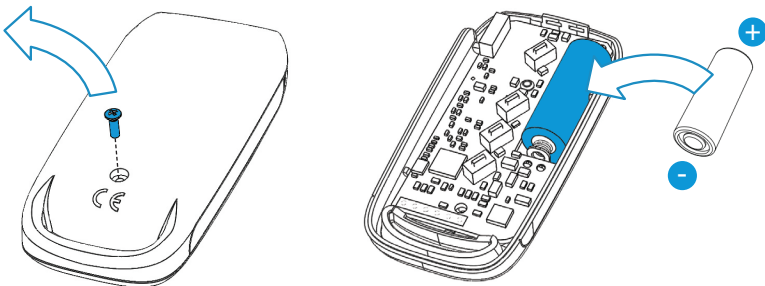
Handheld transmitter functions



Replacing transmitter battery

- Remove the philips head screw and open the transmitter
- Replace the battery, respecting the polarity

Battery type: A23 12V



Troubleshooting

PROBLEM

The controller doesn't react to transmitter commands

SOLUTION

- Check the battery of the handheld transmitter
- The transmitter is not paired-correctly with the controller. Repeat the pairing process
- Reduce the distance between handheld transmitter and PL-REM and/or remove obstacles

The pool lights don't work

- Check if all connections are made according to the electrical scheme on page 5 or 6.
- Check if the "Color&Light" output terminals of the controller switch on and of when pushing the on/off button on the transmitter.

Declaration of Conformity

We, Propulsion Systems bvba, declare under our sole responsibility, that the equipment described below conforms with the essential requirements of the following directives and standards:

DIRECTIVE 2011/65/EC (RoHS 2)

- EN50581

DIRECTIVE 1999/5/EC Radio equipment and telecommunications terminal equipment and the mutual recognition of their conformity

- EN 300 220 Electromagnetic compatibility and Radio spectrum Matters (ERM); Short Range Devices (SRD); Radio equipment to be used in the 25 MHz to 1 000 MHz frequency range with power levels ranging up to 500 mW

DIRECTIVE 2004/108/EC Electromagnetic compatibility

- EN 300 683 (Electromagnetic compatibility and Radio spectrum Matters (ERM); ElectroMagnetic Compatibility (EMC) standard for Short Range Devices (SRD) operating on frequencies between 9 kHz and 25 GHz)
- EN 301 489-3 (Electromagnetic compatibility and Radio spectrum Matters (ERM); ElectroMagnetic Compatibility (EMC) standard for radio equipment and services; Part 3: Specific conditions for Short-Range Devices (SRD) operating on frequencies between 9 kHz and 40 GHz)

Equipment: handheld transmitter/receiver for remote control & base unit transmitter / receiver 868MHz band DuraLink™

Trade Mark: SpectraVision™

Model Nr.: Description:

PLA-REM (COMMUNICATIONS & REMOTE CONTROL BOX FOR ADAGIO+ RGB DuraLink™)

PLA-REM-300 (350VA PSU & COMMS BOX FOR ADAGIO+ RGB DuraLink™)

PL-REM (REMOTE CONTROL FOR MOONLIGHT & ADAGIO+ DuraLink™)

PL-REM-P (REMOTE CONTROL FOR MOONLIGHT & ADAGIO+ (PULSED) DuraLink™)

PL-REM-200 (200VA PSU & REMOTE CONTROL FOR MOONLIGHT & ADAGIO+ DuraLink™)

TX868-PLA (TRANSMITTER ; DuraLink™ 868MHz ; for PLA-REM(-300))

TX868-PL (TRANSMITTER ; DuraLink™ 868MHz ; for PL-REM(-60/200))

Propulsion Systems bvba

Dooren 72
B-1784 Belgium

Date of signature: 21/10/2014

Signature:

Name: Dhr. Marc Lamberts

Title: GM



SpectravisionTM
lighting

Contact details

Propulsion Systems bvba

Dooren 72
1785 Merchtem, Belgium

Tel +32 2 461 02 53

Fax +32 2 706 59 60

www.propulsionsystems.be

info@propulsionsystems.be



Spectravision™
lighting

