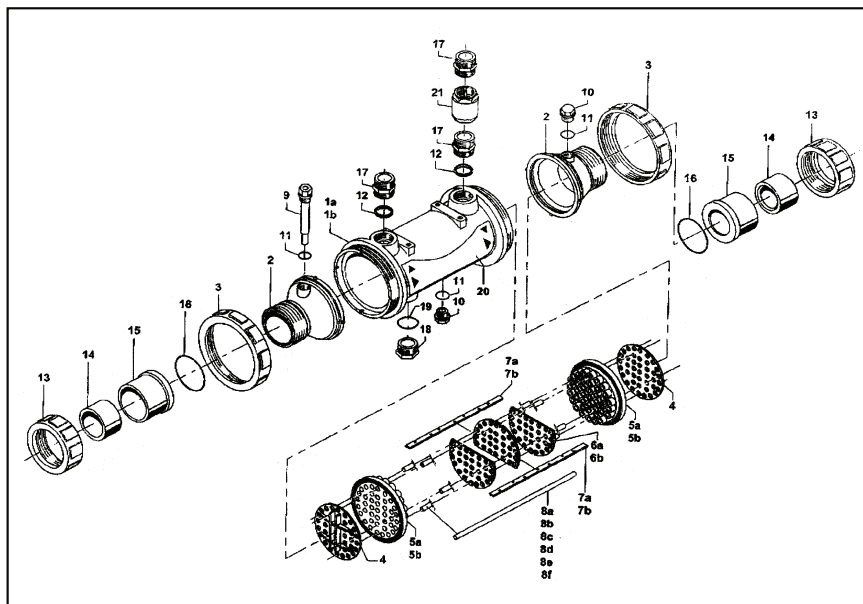
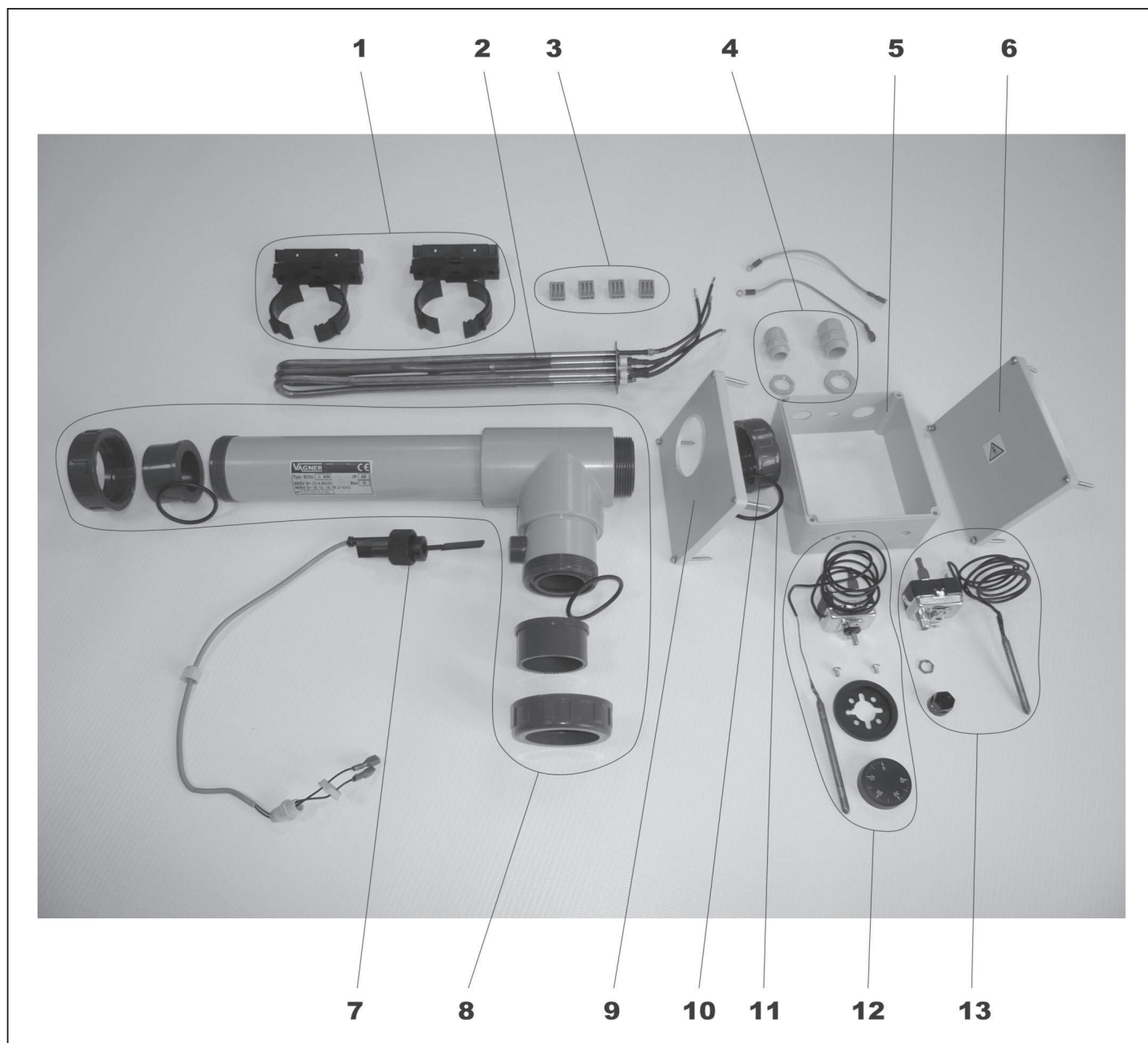


# ODDÍL E

# VYTÁPĚNÍ HEATING



## Topení Plast a Titan



| detail | identifikace | popis   |
|--------|--------------|---|
| 1      | 0606950      | PVC Trubková svorka 60–65 mm<br>PIPE BRACKET 60-65MM                      |
| 2      | 581003000    | Spirála topná 3 kW<br>HEAT ELEMENT 3KW                                    |
| 2      | 581009000    | Spirála topná 9 kW<br>HEAT ELEMENT 9 KW                                   |
| 2      | 581015000    | Spirála topná 15 kW<br>HEAT ELEMENT 15 KW                                 |
| 2      | 5819303      | Spirála topná Titan 3 kW, 230/400 V<br>HEAT ELEMENT 3KW - TITAN,230V,400V |

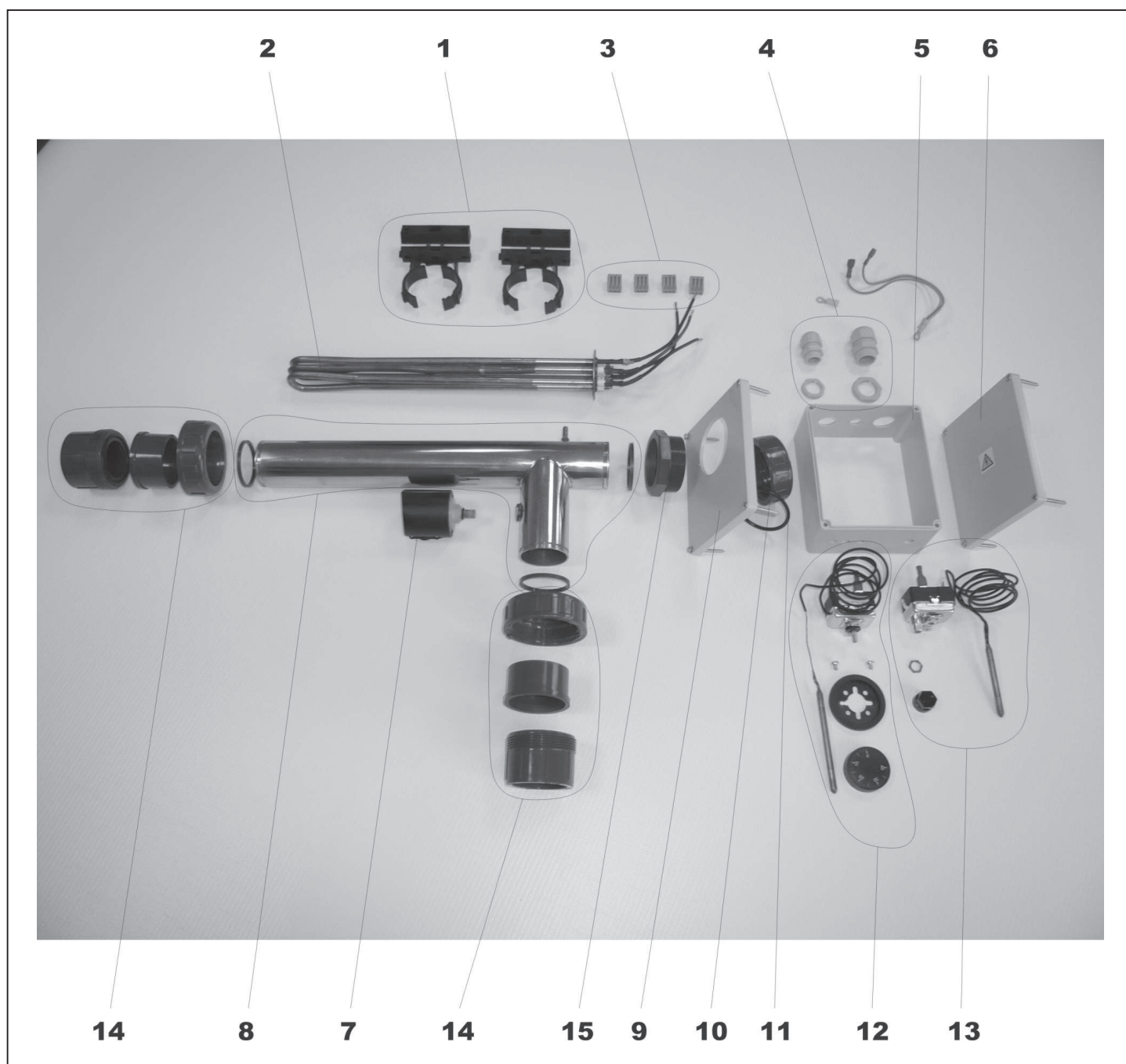
| detail | identifikace | popis  |
|--------|--------------|--|
| 2      | 581001500    | SPIRÁLA TOPNÁ 1,5 KW INC PLÍŠEK<br>HEAT ELEMENT 1,5 KW |
| 2      | 581006000    | Spirála topná 6 kW<br>HEAT ELEMENT 6 KW                |
| 2      | 581012000    | Spirála topná 12 kW<br>HEAT ELEMENT 12 KW              |
| 2      | 581018000    | Spirála topná 18 kW<br>HEAT ELEMENT 18 KW              |
| 2      | 5819306      | Spirála topná Titan 6 kW<br>HEAT ELEMENT 6KW-TITAN     |

| detail | identifikace | popis  |
|--------|--------------|--|
| 2      | 5819309      | Spirála topná Titan 9 kW<br>HEAT ELEMENT 9KW-TITAN             |
| 3      | 520/222413   | SVORKA WAGO TŘÍPÓLOVÁ 32A<br>CLAMP WAGO 32A                    |
| 4      | 5209011      | Průchodka PG 11 šedá<br>ADAPTOR SOCKET CONNECTION PG 1         |
| 4      | 5209107      | Matka PG 7 šedá<br>NUT PG 7 GREY                               |
| 4      | 5209116      | Matka PG 16 šedá<br>NUT PG 16 GREY                             |
| 6      | 580100009    | Krabice na topení - víčko plné<br>BOX FOR HEATER TOP FULL      |
| 8      | 580120601    | TOPENÍ PLAST I TITAN - PVCC TĚLO 6KW<br>HEATER PVCC BODY 6KW   |
| 8      | 580111801    | TOPENÍ PLAST - PVCC TĚLO 15,18KW<br>HEATER PVCC - BODY 15,18KW |
| 10     | 0336110042   | MATICE PŘEVLEČNÁ ŠROUBENÍ 40MM                                 |
| 12     | 5809591      | Termostat vč. ovládacího knoflíku<br>THERMOSTAT INCL.REGULATOR |

| detail | identifikace | popis  |
|--------|--------------|--|
| 2      | 5819312      | Spirála topná Titan 12 kW<br>HEAT ELEMENT 12KW-TITAN               |
| 4      | 5209007      | Průchodka PG 7 šedá<br>ADAPTOR SOCKET CONNECTION PG 7              |
| 4      | 5209016      | Průchodka PG 16 šedá<br>ADAPTOR SOCKET CONNECTION PG 1             |
| 4      | 5209111      | Matka PG 11 šedá<br>NUT PG 11 GREY                                 |
| 5      | 580100006    | Krabice na topení - střední díl<br>BOX FOR HEATER MIDDLE PART      |
| 7      | 5809595      | El. průtoková klapka<br>EL.FLOW SWITCH                             |
| 8      | 580121201    | TOPENÍ PLAST I TITAN - PVCC TĚLO 9,12KW<br>HEATER PVCC BODY 9,12KW |
| 9      | 580100008    | Krabice na topení - víčko D=60mm<br>BOX FOR HEATER TOP D=60MM      |
| 11     | 51905040     | O-KROUŽEK 50 X 4 MM PLASTOVÁ TOPENÍ<br>O-RING 50 X 4 MM            |
| 13     | 5809560      | Tepelná pojistka – vnější reset<br>HEAT FUSE-OUTSIDE RESET         |

Pro produkty: 5801103, 5801106, 5801109, 5801112, 5801115, 5801118, 5801203, 5801206, 5801209, 5801212

## Topení Nerez



| detail | identifikace | popis   |
|--------|--------------|---|
| 1      | 0606940      | PVC Trubková svorka 47-51 mm<br>PIPE BRACKET 47-51MM                |
| 2      | 581003000    | Spirála topná 3 kW<br>HEAT ELEMENT 3KW                              |
| 2      | 581009000    | Spirála topná 9 kW<br>HEAT ELEMENT 9 KW                             |
| 2      | 581015000    | Spirála topná 15 kW<br>HEAT ELEMENT 15 KW                           |
| 2      | 5809001      | SPIRÁLA TOPNÁ 1,5KW 230V INC ZÁV.<br>HEAT ELEMENT 1,5KW/230V INCOLO |

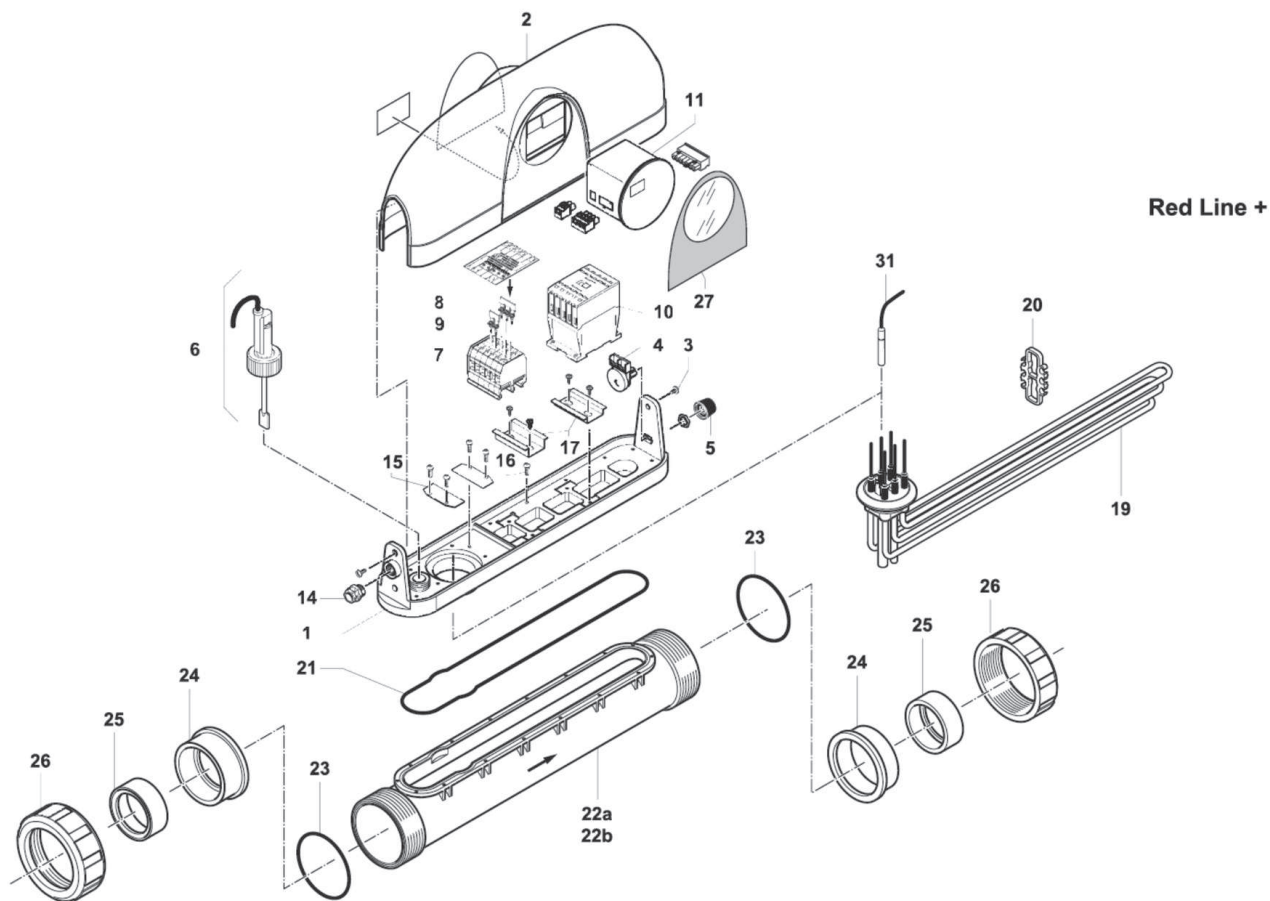
| detail | identifikace | popis  |
|--------|--------------|--|
| 2      | 581001500    | SPIRÁLA TOPNÁ 1,5 KW INC PLÍŠEK<br>HEAT ELEMENT 1,5 KW |
| 2      | 581006000    | Spirála topná 6 kW<br>HEAT ELEMENT 6 KW                |
| 2      | 581012000    | Spirála topná 12 kW<br>HEAT ELEMENT 12 KW              |
| 2      | 581018000    | Spirála topná 18 kW<br>HEAT ELEMENT 18 KW              |
| 2      | 5809003      | SPIRÁLA TOPNÁ 3KW 230V INC ZÁV.<br>HEAT ELEMENT 3KW    |

| detail | identifikace | popis   |
|--------|--------------|---|
| 2      | 5809004      | SPIRÁLA TOPNÁ 4KW 230V INC ZÁV.<br>HEAT ELEMENT 4KW           |
| 2      | 5809009      | SPIRÁLA TOPNÁ 9KW INC ZÁV.<br>HEAT ELEMENT 9KW                |
| 2      | 5809015      | SPIRÁLA TOPNÁ 15KW INC ZÁV.<br>HEAT ELEMENT 15KW              |
| 3      | 520/222413   | SVORKA WAGO TŘÍPÓLOVÁ 32A<br>CLAMP WAGO 32A                   |
| 4      | 5209016      | Průchodka PG 16 šedá<br>ADAPTOR SOCKET CONNECTION PG 1        |
| 4      | 5209116      | Matka PG 16 šedá<br>NUT PG 16 GREY                            |
| 6      | 580100009    | Krabice na topení - víčko plné<br>BOX FOR HEATER TOP FULL     |
| 8      | 580170601    | TOPENÍ S KLAPKOU - TĚLO 6KW<br>HEATER EOVK - BODY 6KW         |
| 8      | 580171801    | TOPENÍ S KLAPKOU - TĚLO 15,18KW<br>HEATER EOVK - BODY 15,18KW |
| 9      | 580100008    | Krabice na topení - víčko D=60mm<br>BOX FOR HEATER TOP D=60MM |
| 11     | 51905040     | O-KROUŽEK 50 X 4 MM PLASTOVÁ TOPENÍ<br>O-RING 50 X 4 MM       |
| 13     | 5809560      | Tepelná pojistka – vnější reset<br>HEAT FUSE-OUTSIDE RESET    |
| 14     | 0245600050T  | ŠROUBENÍ 50MM STOČENÉ - K EL.TOPENÍ<br>UNIONS CONNECTION 50MM |

| detail | identifikace | popis  |
|--------|--------------|--|
| 2      | 5809006      | SPIRÁLA TOPNÁ 6KW INC ZÁV.<br>HEAT ELEMENT 6KW                 |
| 2      | 5809012      | SPIRÁLA TOPNÁ 12KW INC ZÁV.<br>HEAT ELEMENT 12KW               |
| 2      | 5809018      | SPIRÁLA TOPNÁ 18KW INC ZÁV.<br>HEAT ELEMENT 18KW               |
| 4      | 5209011      | Průchodka PG 11 šedá<br>ADAPTOR SOCKET CONNECTION PG 1         |
| 4      | 5209111      | Matka PG 11 šedá<br>NUT PG 11 GREY                             |
| 5      | 580100006    | Krabice na topení - střední díl<br>BOX FOR HEATER MIDDLE PART  |
| 7      | 5809593      | Tlakový spínač<br>PRESSURE SWITCH                              |
| 8      | 580171201    | TOPENÍ S KLAPKOU - TĚLO 9,12KW<br>HEATER EOVK - BODY 9,12KW    |
| 8      | 580101801    | TOPENÍ NEREZ - TĚLO 15,18KW<br>HEATER ST.STEEL - BODY 15,18KW  |
| 10     | 0336110042   | MATICE PŘEVLEČNÁ ŠROUBENÍ 40MM                                 |
| 12     | 5809591      | Termostat vč. ovládacího knoflíku<br>THERMOSTAT INCL.REGULATOR |
| 14+15  | 580100002    | PLASTOVÉ DÍLY NA NEREZ TOPENÍ                                  |
|        | 58095933     | REDUKCE PRO TLAKOVÝ SPÍNAČ BECK                                |

Pro produkty: 5801003, 5801004, 5801004BAZ, 5801006, 5801009, 5801012, 5801015, 5801018, 5801703, 5801706, 5801709, 5801712, 5801715, 5801718

Red Line and RE/DC



Red Line +



11

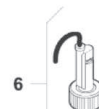
A



19



B



6

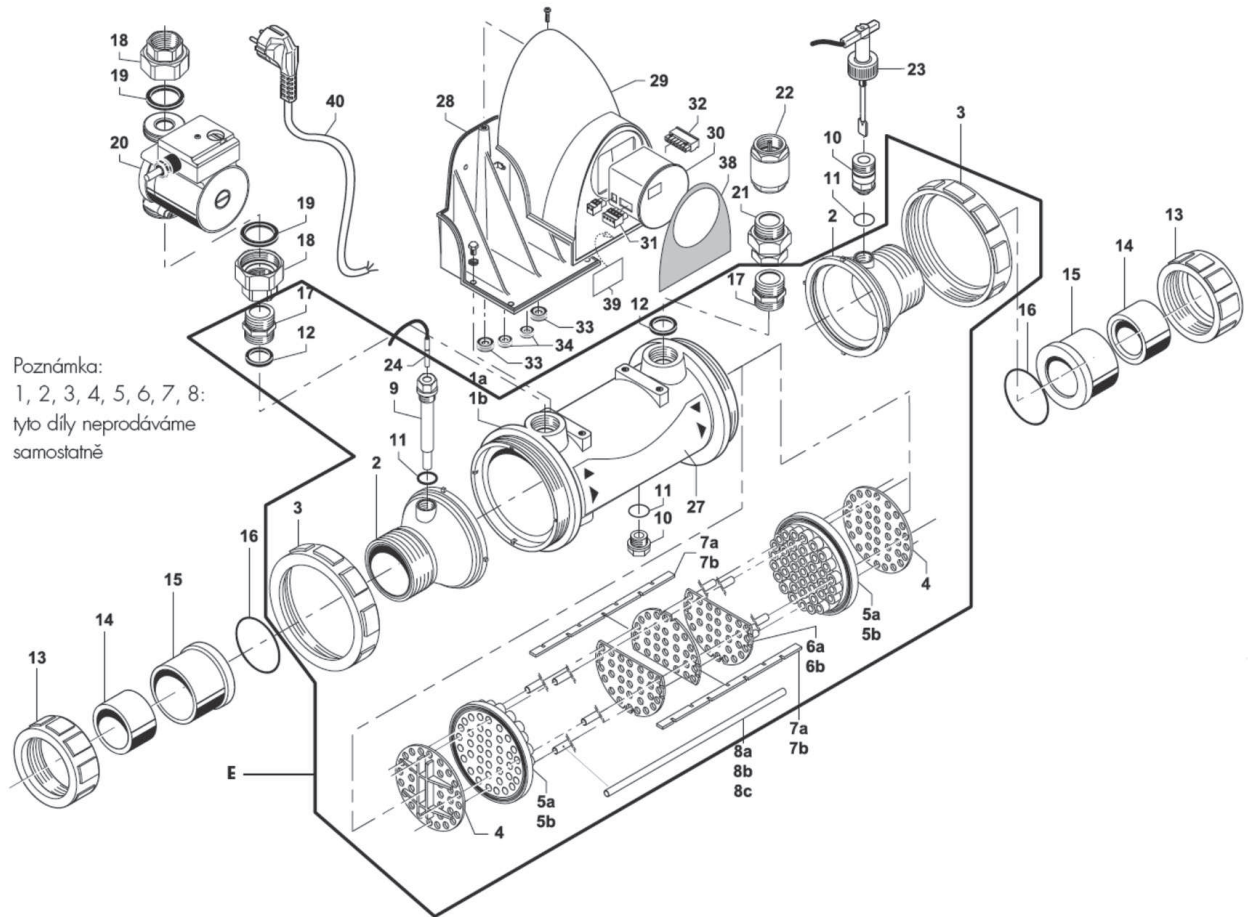
# Red Line and RE/DC

| detail   | identifikace | popis  |
|----------|--------------|--|
| 4        | WIN01641     | Safety thermostat 63°<br>(RE/U, RE/I, RE/DE, RE/LE)                          |
| 7        | WCC01289     | Elec. connection terminals<br>(RE/LE and Red line)                           |
| 9        | WCC01288     | Shunt for switching from three to single<br>phase                            |
| 11       | WCE02684     | OVLÁDACÍ PANEL HEAT LINE/RED LINE  |
| 19 20 21 | WKITRES6C    | SPIRÁLA RED LINE ZODIAC KIT 6KW<br>HEAT ELEMENT ZODIAC 6KW                   |
| 19 20 21 | WKITRES12C   | SPIRÁLA RED LINE ZODIAC KIT 12KW<br>ELBOWED RESISTANCE 12KW TITANI           |
| A        | WEG01404     | TERMOSTAT EUROPAC<br>THERMOSTAT EUROPAC                                      |
|          | WSX03025     | Red Line orange on/off switch  |
| 2        | WKITCAPOTRDE | Red Line cover + & adhesive  |
| 21 22    | WJW01662     | TĚSNĚNÍ KRYTU RED LINE 752 X 4<br>MOULDED JOINT 752 X 4                      |
| 21 22    | WIB01597     | Red Line+ body 9 kW, 12 kW   |
| 23 24 25 | W40RDU       | PŘIPOJOVACÍ ŠROUBENÍ TITANOVÉHO<br>VÝMĚNÍKU<br>CONNECTING SCREW OF EXCHANGER |

| detail   | identifikace | popis  |
|----------|--------------|--|
|          | WSK02015     | PRŮTOKOVÝ SPÍNAČ PRO OHŘEV RED LINE                              |
| 8        | WCC01287     | Shunt for switching from three to single<br>phase                |
| 10       | WCF01066     | Contactora DILM9-10<br>(RE/U RE/I mp RE/LE RE/DE) 30 to 48       |
| 19 20 21 | WKITRES3C    | Elbowed resistance 3 kW<br>titanium + joint                      |
| 19 20 21 | WKITRES9C    | SPIRÁLA RED LINE ZODIAC KIT 9KW<br>HEAT ELEMENT ZODIAC 9KW       |
| 13       | WCE01311     | SENZOR TEPLoty PRO HEATLINE ČERNÝ                                |
| B        | WCE01308     | ČASOVÝ REGULÁTOR HEAT LINE EC/K-EC/C<br>TIME REGULATOR HEAT LINE |
| 21 1     | WIB02691     | Red Line base + (+joint)   |
| 21 22    | WIB01596     | Red Line+ body 3 kW, 6 kW  |
| 21 22    | WJW01661     | Joint 66.27 x 3.53   |
| 21 22    | WJW01661     | Joint 66.27 x 3.53   |



# Tepelný výměník titan Heat Line (kompakt) Zodiac



Poznámka:  
1, 2, 3, 4, 5, 6, 7, 8:  
tyto díly neprodáváme  
samostatně





# Tepelný výměník titan Heat Line (kompakt) Zodiac

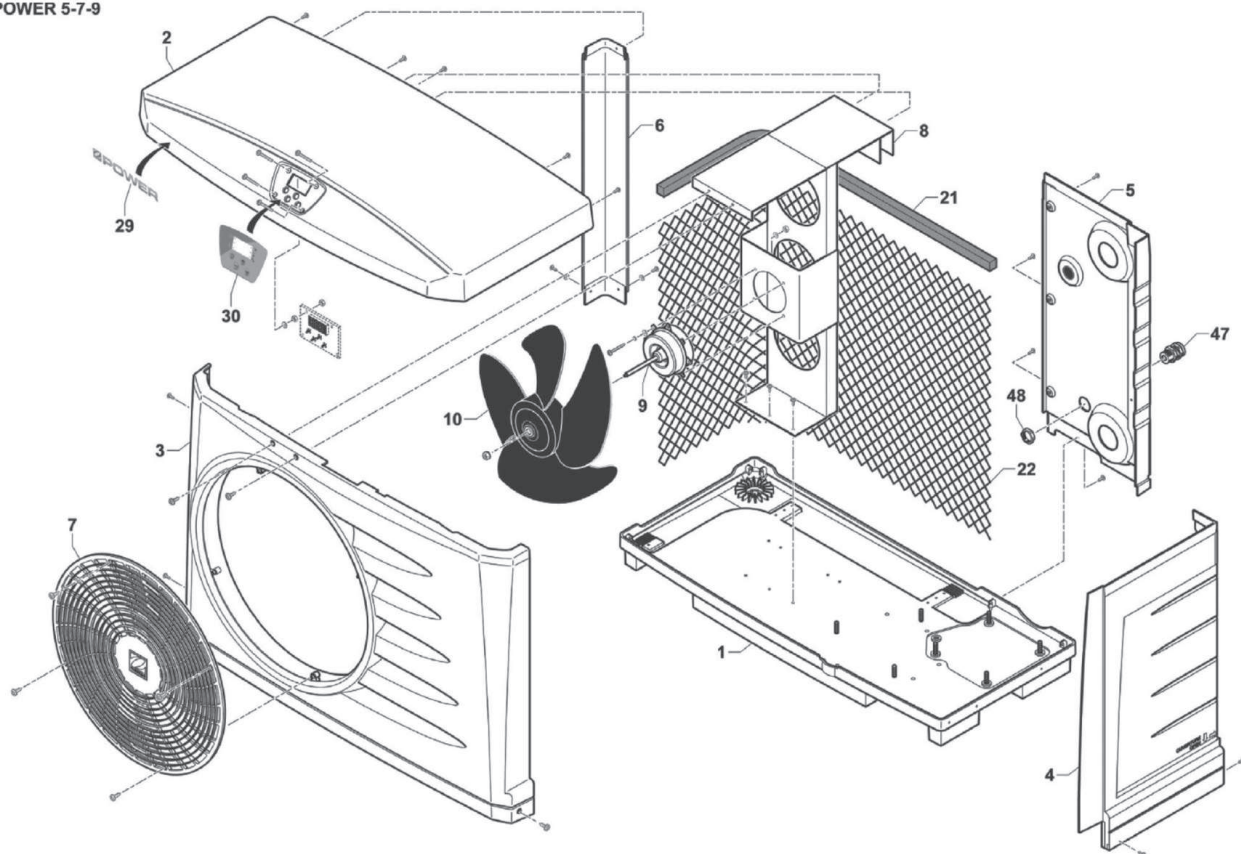
| detail   | identifikace     | popis  |
|----------|------------------|--|
| 18+19+20 | W49CC4           | OBĚHOVÉ ČERPADLO PRO HEAT LINE 2M3/H<br>CIRCULATORY PUMP FOR HEAT LINE   |
| 24       | WCE01311         | SENZOR TEPLoty PRO HEATLINE ČERNÝ  |
| 10+23+42 | W49COFKT         | ELEKTRONIKA K VÝMĚNÍKU HEAT LINE<br>ELECTRIC BOX (HEAT LINE +)   |
| B        | W20KD02          | Aquastat 16/40° with glove finger 15/21M (basic<br>HEAT LINE)<br><del>Aquastat 16/40° with glove finger 15/21M (basic<br/>HEAT LINE)</del> |
| D        | WEG01405         | Regulator thermostat 16/40 bulb O 6 mm<br>Regulation thermostat 16/40 bulb O 6 mm  |
| 9+11     | WIB01625         | JÍMKA PRO ČIDLO TITANOVÉHO VÝMĚNÍKU  |
| 13+14+15 | W40RDU           | PŘIPOJOVACÍ ŠROUBENÍ TITANOVÉHO<br>VÝMĚNÍKU<br>CONNECTING SCREW OF EXCHANGER   |
|          | WIB02695         | Heat Line cover with sticker<br>Heat Line cover with sticker   |
|          | WNS01751         | Cap 20/27 Female<br>Cap 20/27 Female   |
| *        | 1,2,3,4,5,6,7,8, | NEPRODÁVÁME SAMOSTATNĚ   |

| detail | identifikace | popis  |
|--------|--------------|--|
| 23     | WSK02022     | Noryl flow switch<br>Noryl flow switch                             |
| 30     | WCE02684     | OVLÁDACÍ PANEL HEAT LINE/RED LINE                                  |
| A      | WCE01308     | ČASOVÝ REGULÁTOR HEAT LINE EC/K-EC/C<br>TIME REGULATOR HEAT LINE   |
| C      | WEG01404     | TERMOSTAT EUROPAC<br>THERMOSTAT EUROPAC                            |
|        | WCE02925     | Regulator FK151 (before 1997)<br>Regulator FK151 (before 1997)     |
| 10+11  | WIB01611     | DRŽÁK NA PRŮTOKOVÉ ČIDLO HEATLINE                                  |
| 22     | WIB01609     | ZÁTKA 15/21 DO TITANOVÉHO VÝMĚNÍKU                                 |
|        | WKITDGT      | Flat glove finger + Joint + Nut<br>Flat glove finger + Joint + Nut |
|        | WNS01780     | Joint 20/27<br>Joint 20/27   |

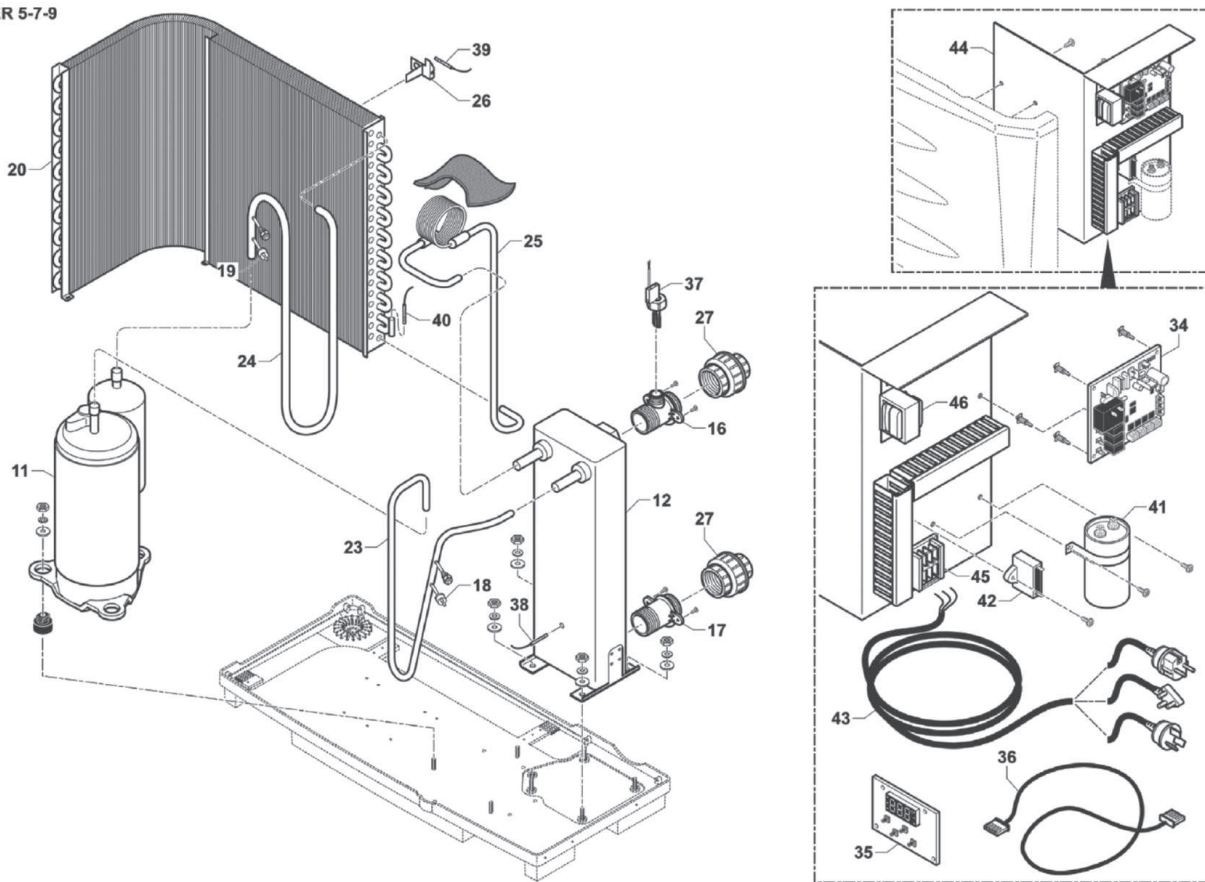
Pro produkty: 5510020, 5510040, 5510070, 5515020, 5515021, 5515040, 5515041, 5515070, 5515071

# Tepelná čerpadla Power 5 - 7 - 9 / Heat pumps

POWER 5-7-9



POWER 5-7-9



# Tepelná čerpadla Power 5 - 7 - 9 / Heat pumps

| detail | identifikace | popis  |
|--------|--------------|--|
| 1      | WWA01001     | DNO - ZÁKLADNA TEP. ČERP. ZODIAC                                 |
| 3      | WWA01003     | Front panel  |
| 5      | WWA01005     | Rear panel   |
| 7      | WWA01007     | Grid   |
| 9      | WWA01009     | MOTOR VENTILÁTORU Z200/POWER 5,7,9KW<br>MOTOR FAN 5,7,9 KW       |
| 11     | WWA01011     | Compressor 5 kW  |
| 11     | WWA01013     | Compressor 9 kW  |
| 12     | WWA01015     | Heat Exchanger 7 kW  |
| 16     | WWA01019     | VÝSTUPNÍ HRDLO PRO POWET S PRŮT. ČIDLEM<br>OUTPUT NECK FOR POWET |
| 18     | WWA01021     | Pressure switch HP   |
| 20     | WWA01023     | Evaporator 5 kW  |
| 20     | WWA01025     | Evaporator 9 kW  |
| 22     | WWA01027     | Evaporator protection  |
| 23     | WWA01029     | Output compressor piping 7 kW                                    |
| 24     | WWA01031     | Suction compressor piping 5 kW                                   |
| 24     | WWA01033     | Suction compressor piping 9 kW                                   |
| 25     | WWA01035     | Output heat exchanger with capillary to ended filter 7 kW        |
| 26     | WWA01037     | Air temperature sensor support                                   |
| 29     | WWA01039     | Sticker Power  |
| 34     | WWA01041     | ELEKTRONICKÁ DESKA POWERPAC                                      |
| 36     | WWA01043     | KABEL K ELEKTRONICDE POWER<br>LINK CABLE POWER                   |
| 38     | WWA01045     | Water Temperature sensor   |

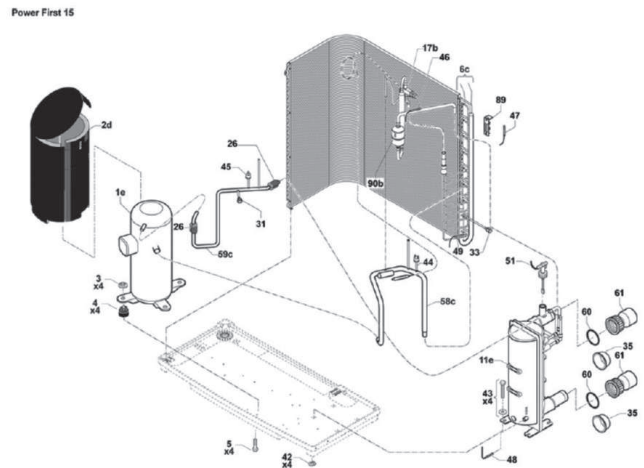
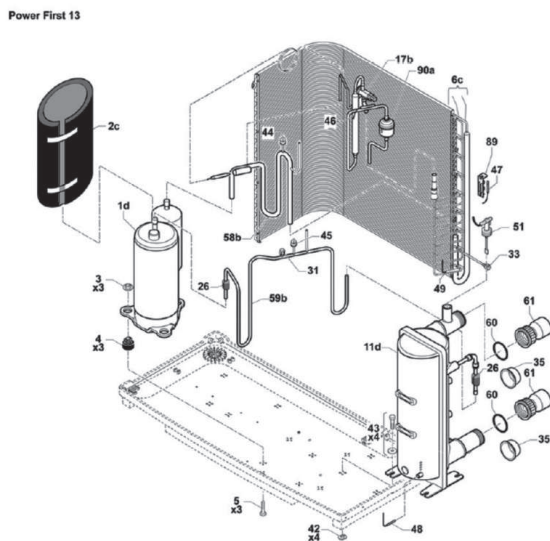
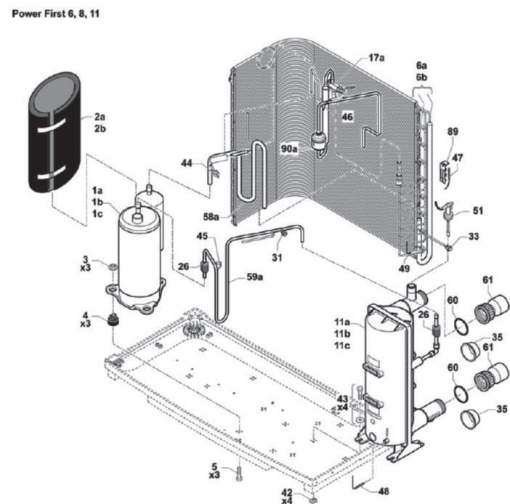
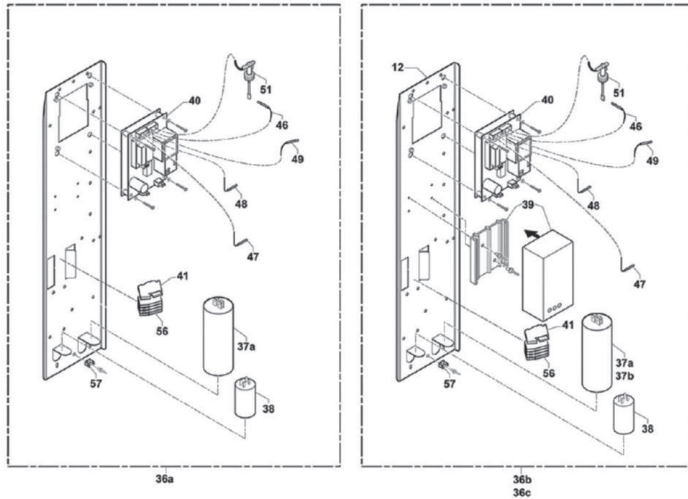
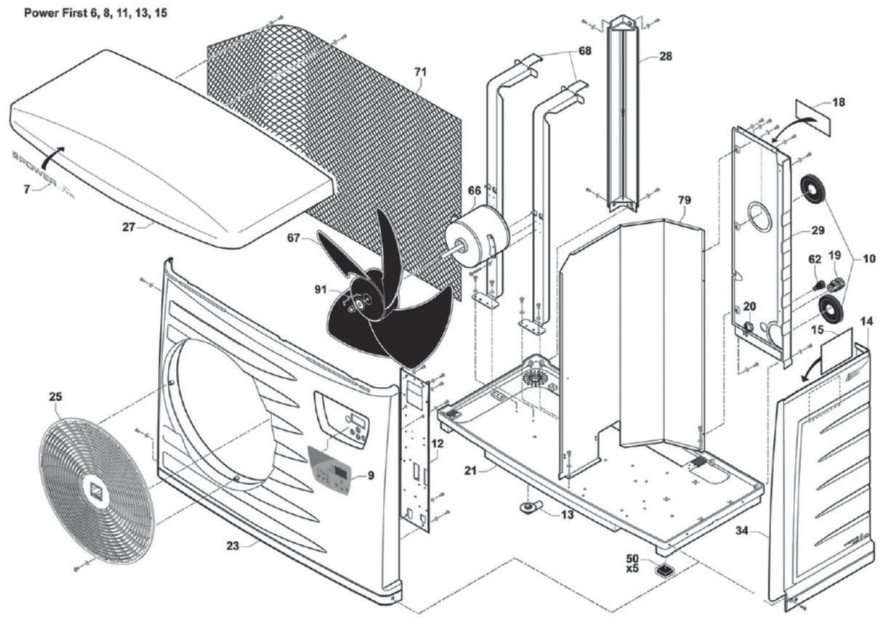
| detail | identifikace | popis   |
|--------|--------------|---|
| 2      | WWA01002     | VRCHNÍ KRYT POWER<br>TOP COVER POWER                                  |
| 4      | WWA01004     | Technical Door  |
| 6      | WWA01006     | Angle   |
| 8      | WWA01008     | Fan Support   |
| 10     | WWA01010     | VRTULE VENTILÁTORU Z200<br>FAN Z200                                   |
| 11     | WWA01012     | Compressor 7 kW   |
| 12     | WWA01014     | Heat Exchanger 5 kW   |
| 12     | WWA01016     | Heat Exchanger 9 kW   |
| 17     | WWA01020     | VSTUPNÍ HRDLO PRO ZODIAC POWER<br>INPUT NECK FOR ZODIAC POWER         |
| 19     | WWA01022     | Pressure switch LP  |
| 20     | WWA01024     | Evaporator 7 kW   |
| 21     | WWA01026     | Angle bracket for evaporator  |
| 23     | WWA01028     | Output compressor piping 5 kW   |
| 23     | WWA01030     | Output compressor piping 9 kW   |
| 24     | WWA01032     | Suction compressor piping 7 kW  |
| 25     | WWA01034     | Output heat exchanger with capillary to ended filter 5 kW             |
| 25     | WWA01036     | Output heat exchanger with capillary to ended filter 9 kW             |
| 27     | WWA01083     | PRODLOUŽENÉ ŠROUBENÍ K TEP.ČERPADLU<br>Z200<br>RACCORD PVC 3 PCS Z200 |
| 30     | WH0442000A   | KRYT (FOLIE) OVL. PANELU Z200 WWA01040<br>CONTROL PANEL Z200          |
| 35     | WWA01042     | OVLÁDACÍ PANEL POWER  |
| 37     | WV0088000A   | PRŮTOKOVÁ KLAPKA NA Z200 OD RV 2014<br>FLOW SWITCH Z200 FROM 2014     |
| 39     | WWA01046     | Air Temperature sensor  |

| detail | identifikace | popis  |
|--------|--------------|--|
| 40     | WWA01047     | SENZOR ROZMRAZU VÝPARNÍKU<br>DEFROST TEMPERATURE SENSOR                  |
| 41     | WWA01049     | KONDENZÁTOR KOMPRESORU 7KW 40UF<br>POWPAC<br>CONDENSER OF COMPRESSOR 7KW |
| 42     | WWA01051     | KONDENZÁTOR VENTILÁTORU 2UF POWERPAC<br>FAN CONDENSER 2UF                |
| 43     | WWA01056     | Electric cable (Australian version)                                      |
| 44     | WWA01052     | Electrical plate complete  |

| detail | identifikace | popis  |
|--------|--------------|--|
| 41     | WWA01048     | KONDENZÁTOR KOMPRESORU 5KW 30NF<br>POWPAC<br>CONDENSER OF COMPRESSOR 5KW |
| 41     | WWA01050     | KONDENZÁTOR KOMPRESORU 9KW 50UF<br>POWPAC<br>CONDENSER OF COMPRESSOR 9KW |
| 43     | WWA01055     | Electric cable (French version)  |
| 43     | WWA01057     | Electric cable (South Africa version)                                    |

Pro produkty: 565ZPOW5, 565ZPOW5E, 565ZPOW7, 565ZPOW7E, 565ZPOW9, 565ZPOW9E

# Tepelná čerpadla Power First 6 - 8 - 11 - 13 - 15 / Heat pumps



# Tepelná čerpadla Power First 6 - 8 - 11 - 13 - 15 / Heat pumps

| detail | identifikace | popis  |
|--------|--------------|--|
| 1a     | WTC03827     | Monophase Powerfirst 8 compressor                                      |
| 1c     | WTC03870     | Monophase Powerfirst 11 compressor                                     |
| 1e     | WTC03904     | Monophase Powerfirst 15 compressor                                     |
| 6b     | WTC03899     | Evaporator battery for Powerfirst 11 single                            |
| 11a    | W20COND6KW   | Condensator for Powerfirst 6 single                                    |
| 11c    | W20COND9.5KW | Condensator for Powerfirst 11 single                                   |
| 11e    | W20COND25KW  | Condensator for Powerfirst 15 single                                   |
| 90b    | WCY00997     | 084S Dehydrator for Powerfirst 15 single                               |
| 17b    | WTC03903     | BBIZE4 3/8 1/2 Expansion valve for Powerfirst 13 et 15 single          |
| 45     | WTC03816     | HP pressure switch* 4233 Bars  |
| 23 9   | WPV01003     | Front face   |
| 9      | WCE03829     | Lexan  |
| 27     | WPV01001     | Cover  |
| 29     | WPV01004     | Rear panel   |
| 60     | WNS03428     | TĚSNĚNÍ PRO PŘIPOJ.VÝMĚNÍKU POWER FIRST HALF-UNION CONECTION JOINT     |
| 67     | WTC03784     | Ventilator fan   |
| F      | WIB03516     | VSTUPNÍ HRDLO VÝMĚNÍKU POW.FIRST+O-KROUŽ OUTPUT NECK OF EXCHANGER POW. |
| 1a     | WTC03827     | Monophase Powerfirst 8 compressor                                      |
| 1c     | WTC03870     | Monophase Powerfirst 11 compressor                                     |
| 1e     | WTC03904     | Monophase Powerfirst 15 compressor                                     |
| 6b     | WTC03899     | Evaporator battery for Powerfirst 11 single                            |
| 11a    | W20COND6KW   | Condensator for Powerfirst 6 single                                    |
| 11c    | W20COND9.5KW | Condensator for Powerfirst 11 single                                   |

| detail | identifikace | popis   |
|--------|--------------|---|
| 1b     | WTC03828     | Monophase Powerfirst 6 compressor                                       |
| 1d     | WTC03900     | Monophase Powerfirst 13 compressor                                      |
| 6a     | WTC03894     | Evaporator battery for Powerfirst 6 and 8 single                        |
| 6c     | WTC03902     | Evaporator battery for Powerfirst 13 and 15 single                      |
| 11b    | W20COND7.5KW | Condensator for Powerfirst 8 single                                     |
| 11d    | W20COND13KW  | Condensator for Powerfirst 13 single                                    |
| 90a    | WCY00995     | VYSOUŠEČ CHLADIVA SIROCCO REFRIGERANTDRYER FOR SIROCCO                  |
| 17a    | WTC03906     | BBIZE 2 Expansion valve for Powerfirst 6, 8 11 single                   |
| 44     | WTC03815     | LP pressure switch* 0.5/2 bars  |
| 21     | WPV01002     | Base  |
| 23 9   | WCE03829     | Lexan   |
| 25     | WPV01006     | Fan grid  |
| 28     | WPV01005     | Casing corner   |
| 34     | WPV01007     | Access Technical access panel   |
| 61     | W20RDU       | ŠROUBENÍ POWER FIRST 1 1/2" NA 50MM SCREWING POWER FIRST                |
| E      | WIB03510     | VÝSTUPNÍ HRDLO VÝMĚNÍKU POW.FIRST+O-KROUŽ OUTPUT NECK OF EXCHANGER POW. |
| 40     | WCE03712     | OVLÁDACÍ PANEL POWERPAC CONTROL PANEL POWERPAC                          |
| 1b     | WTC03828     | Monophase Powerfirst 6 compressor                                       |
| 1d     | WTC03900     | Monophase Powerfirst 13 compressor                                      |
| 6a     | WTC03894     | Evaporator battery for Powerfirst 6 and 8 single                        |
| 6c     | WTC03902     | Evaporator battery for Powerfirst 13 and 15 single                      |
| 11b    | W20COND7.5KW | Condensator for Powerfirst 8 single                                     |
| 11d    | W20COND13KW  | Condensator for Powerfirst 13 single                                    |



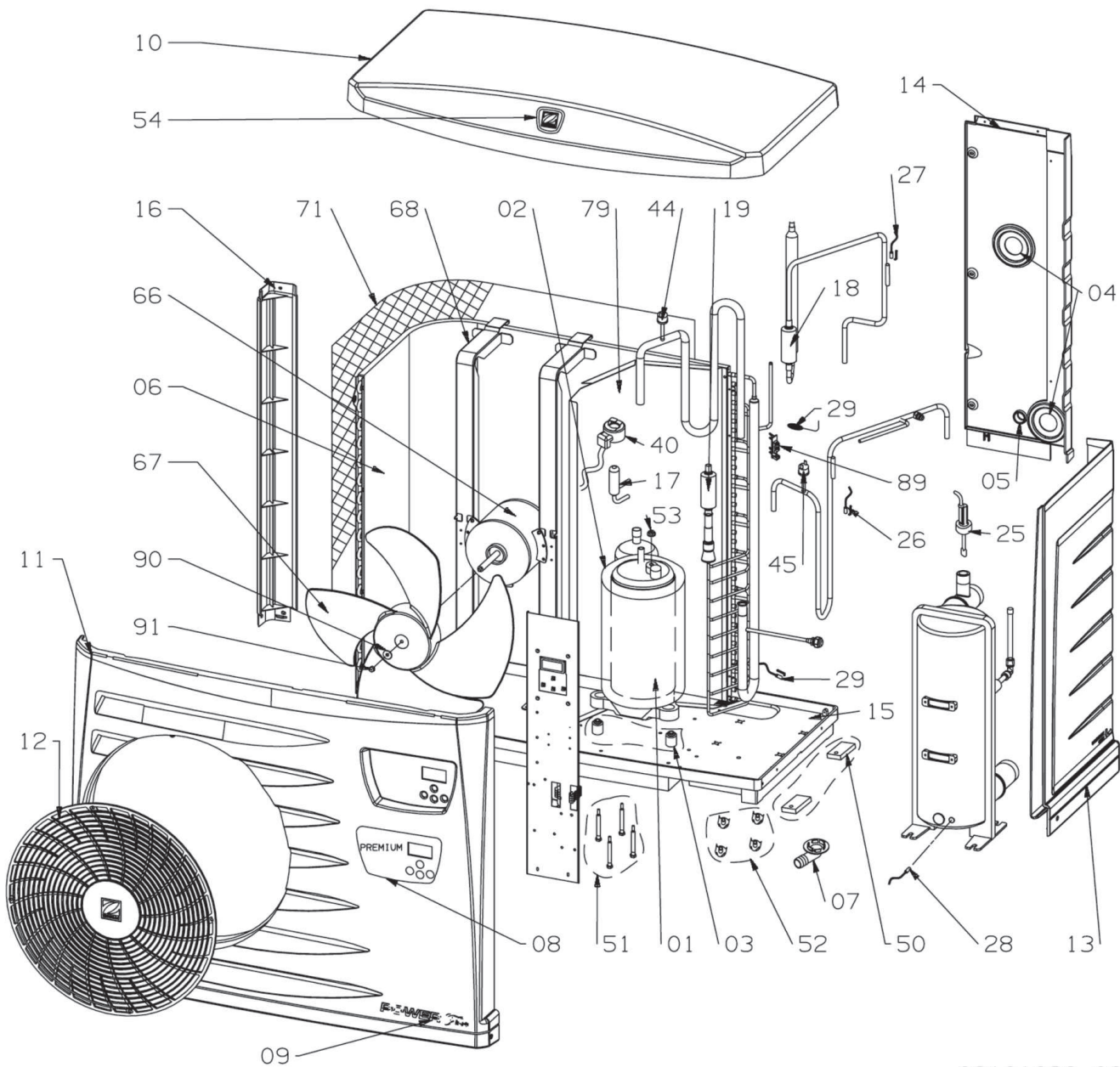
| detail | identifikace | popis   |
|--------|--------------|---|
| 11e    | W20COND25KW  | Condensator for Powerfirst 15 single                  |
| 17a    | WTC03906     | BBIZE 2 Expansion valve for Powerfirst 6, 8 11 single |
| 44     | WTC03815     | LP pressure switch 0.5/2 bars                         |
| 21     | WPV01002     | Base  |
| 23 9   | WCE03829     | Lexan   |
| 25     | WPV01006     | Fan grid  |
| 28     | WPV01005     | Casing corner   |
| 34     | WPV01007     | Access Technical access panel                         |
| 67     | WTC03784     | Ventilator fan  |
| 48     | WCE03699     | White NTC water temperature                           |
| 49     | WCE03700     | Black NTC anti-freeze temperature                     |
| 51     | WSK02020     | Noryl flow controller                                 |
| 37a    | WSG01941     | 50 µF Powerfirst 6, 8 and 11 single                   |
| 38     | WCE03714     | 5 µF condenser ventilator                             |

| detail | identifikace | popis   |
|--------|--------------|---|
| 90b    | WCY00997     | 084S Dehydrator for Powerfirst 15 single                            |
| 17b    | WTC03903     | BBIZE4 3/8 1/2 Expansion valve for Powerfirst 13 et 15 single       |
| 45     | WTC03816     | HP pressure switch 4233 Bars  |
| 23 9   | WPV01003     | Front face  |
| 9      | WCE03829     | Lexan   |
| 27     | WPV01001     | Cover   |
| 29     | WPV01004     | Rear panel  |
| 60     | WNS03428     | TĚSNĚNÍ PRO PŘIPOJ.VÝMĚNÍKU POWER FIRST HALF-UNION CONNECTION JOINT |
| 40     | WCE03712     | OVLÁDACÍ PANEL POWERPAC CONTROL PANEL POWERPAC                      |
| 47     | WCE03701     | SENZOR ROZMRAZOVÁNÍ EUROPAC   |
| 46     | WCE03713     | Red NTC water flow indicator (plastic tip)                          |
| 66     | WTC03783     | Ventilator motor  |
| 37b    | WCE03703     | 60 µF Powerfirst 13 and 15 single                                   |
| 39     | WCO03847     | Gradual starter for Powerfirst                                      |

Pro produkty: 565POWF11, 565POWF15, 565POWF8

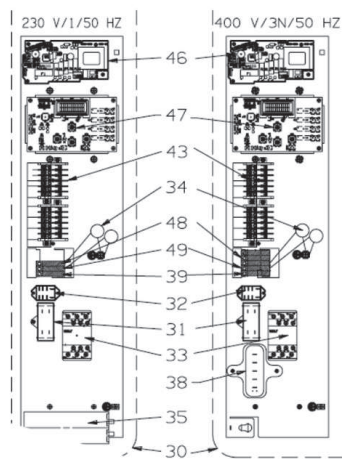
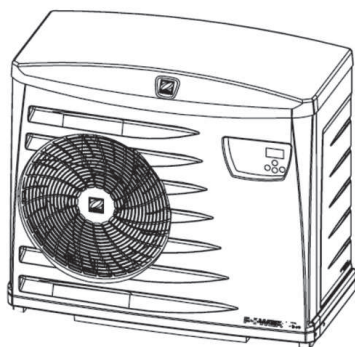


# Tepelná čerpadla Power First Premium



08101039-00

HEAT PUMP  
ZODIAC® POWER FIRST PREMIUM  
6-8-11-13



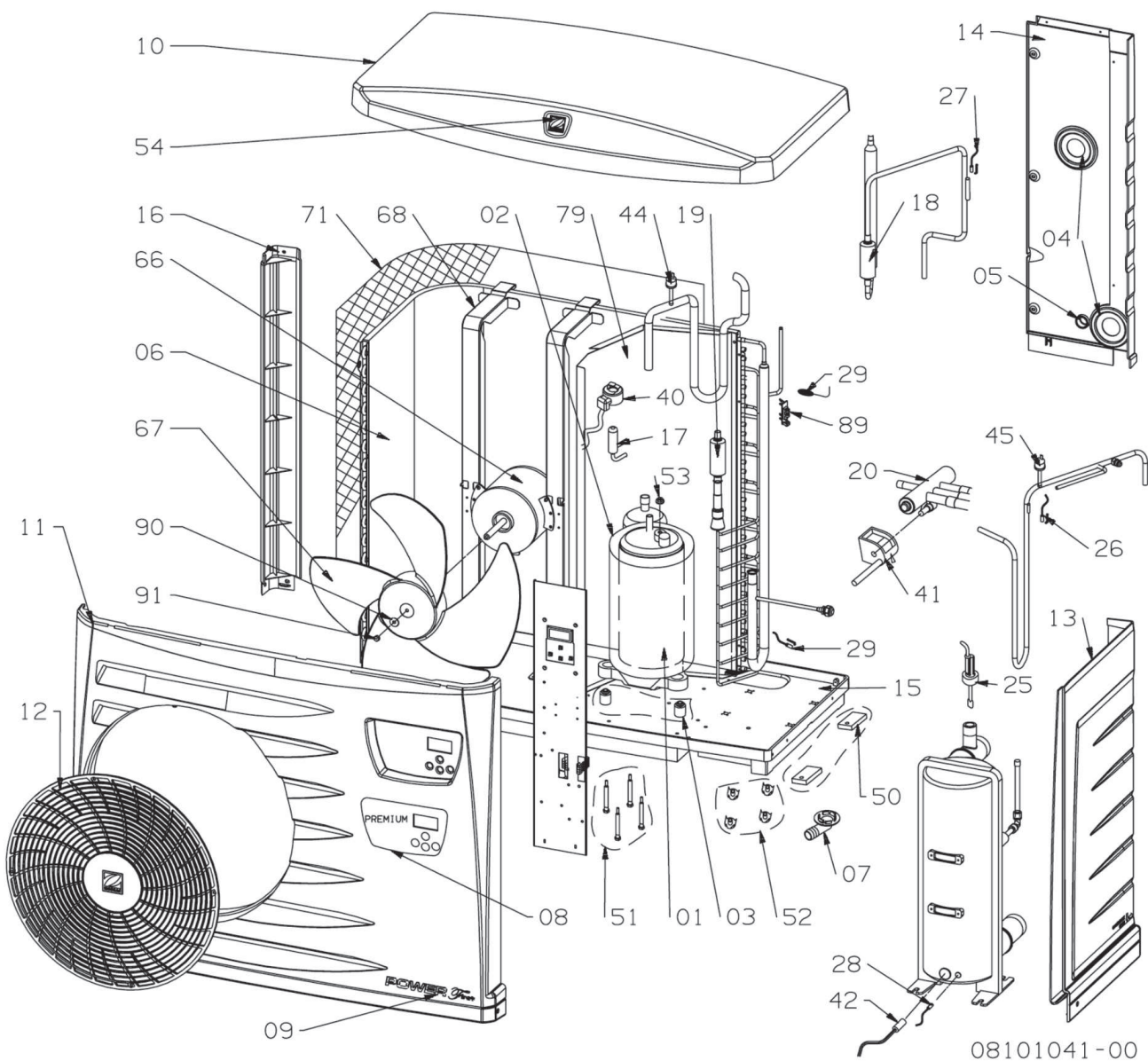
# Tepelná čerpadla Power First Premium

| detail | identifikace | popis  |
|--------|--------------|--|
| 25     | WTC03943     | PFPREM flow rate switch                              |
| 27     | WTC03996     | ST4 liquid probe                                     |
| 29     | WTC03998     | SONDES ANTIGEL                                       |
| 30     | WTC03930     | Set Electrical PREM 8                                |
| 30     | WTC03932     | Set Electrical PREM 11T                              |
| 31     | WTC03936     | Condenser 5 µF for PREM                              |
| 33     | WTC03937     | Switch 18 A, PREM                                    |
| 38     | WTC04005     | Condenser 55 µF PREM 11                              |
| 46     | WTC03941     | EL.OVLÁDÁNÍ EXPANZ.VENTILU Z300<br>COIL SAG UKV A053 |
| 66     | WTC03939     | Display card PREM A2                                 |
| 1      | WTC03920     | Compressor PFPREM 6                                  |
| 1      | WTC03922     | Compressor PFPREM                                    |
| 1      | WTC03987     | Compressor PFPREM 13                                 |
| 6      | WTC03986     | Evaporator PREM 11, 13 and 15                        |
| 17     | WTC03928     | Pressure reducer UKV for PREM 11                     |
| 44     | WTC03815     | Pressure switch, low pressure                        |
| 10     | WPV01001     | PFPREM front panel                                   |
| 12     | WPV01006     | PFPREM grille  |
| 14     | WPV01004     | PFPREM rear panel                                    |
| 16     | WPV01005     | PFPREM upright                                       |
| 2      | WTC03926     | Compressor insulation PFPREM 11, 13                  |
| 8      | WTC03942     | PREMIUM Lexan  |
| 68     | WTC03895     | Fan motor bracket                                    |

| detail | identifikace | popis   |
|--------|--------------|---|
| 26     | WTC03995     | Compressor ST5 discharge probe                                  |
| 28     | WTC03997     | ST1 regulation probe  |
| 30     | WTC03929     | Set Electrical PREM 6   |
| 30     | WTC03931     | Set Electrical PREM 11M   |
| 30     | WTC03992     | Set Electrical PREM 13M   |
| 33     | WTC04001     | Switch 25 A, 230 V, 50/60 Hz                                    |
| 35     | WTC03988     | Varistore (S20K275)   |
| 40     | WTC03940     | Phase controller (PREM TRI)                                     |
| 47     | WTC03944     | Main card PFPREM A1   |
| 34     | WTC03783     | Fan Motor   |
| 1      | WTC03921     | Compressor PFPREM 8   |
| 1      | WTC03923     | Compressor PFPREM   |
| 6      | WTC03985     | Evaporator PFPREM 6, 8  |
| 17     | WTC03927     | Pressure reducer UKV for PREM 6 and 8                           |
| 17     | WTC03994     | TLAKOVÝ REGULÁTOR Z300 M/MD/PFP<br>PRESSURE REGUL.Z300 M/MD/PFP |
| 45     | WTC03816     | Pressure switch, high pressure                                  |
| 11     | WPV01003     | PFPREM cover  |
| 13     | WPV01007     | PFPREM technical door   |
| 15     | WPV01002     | PFPREM base   |
| 2      | WTC03925     | Compressor insulation PFPREM 6, 8                               |
| 7      | WTC02971     | Condensate drainage tube  |
| 67     | WTC03784     | 4-vane propeller  |
| 71     | WTC03896     | Protective grille 1045 x 765                                    |

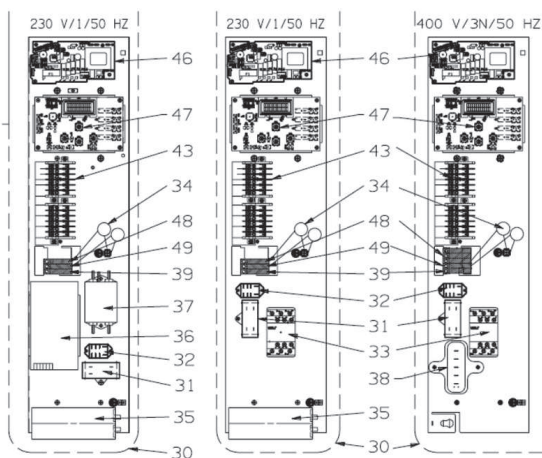
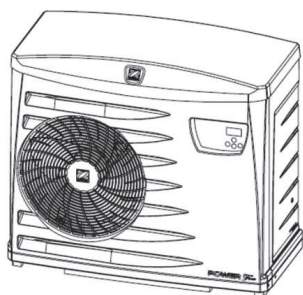
Pro produkty: 565POWFP15MD, 565POWFP8M, 565POWP11M, 565POWP11MD

# Tepelná čerpadla Power First Premium TSR



08101041-00

HEAT PUMP  
ZODIAC® POWER FIRST PREMIUM  
TSR-11-15



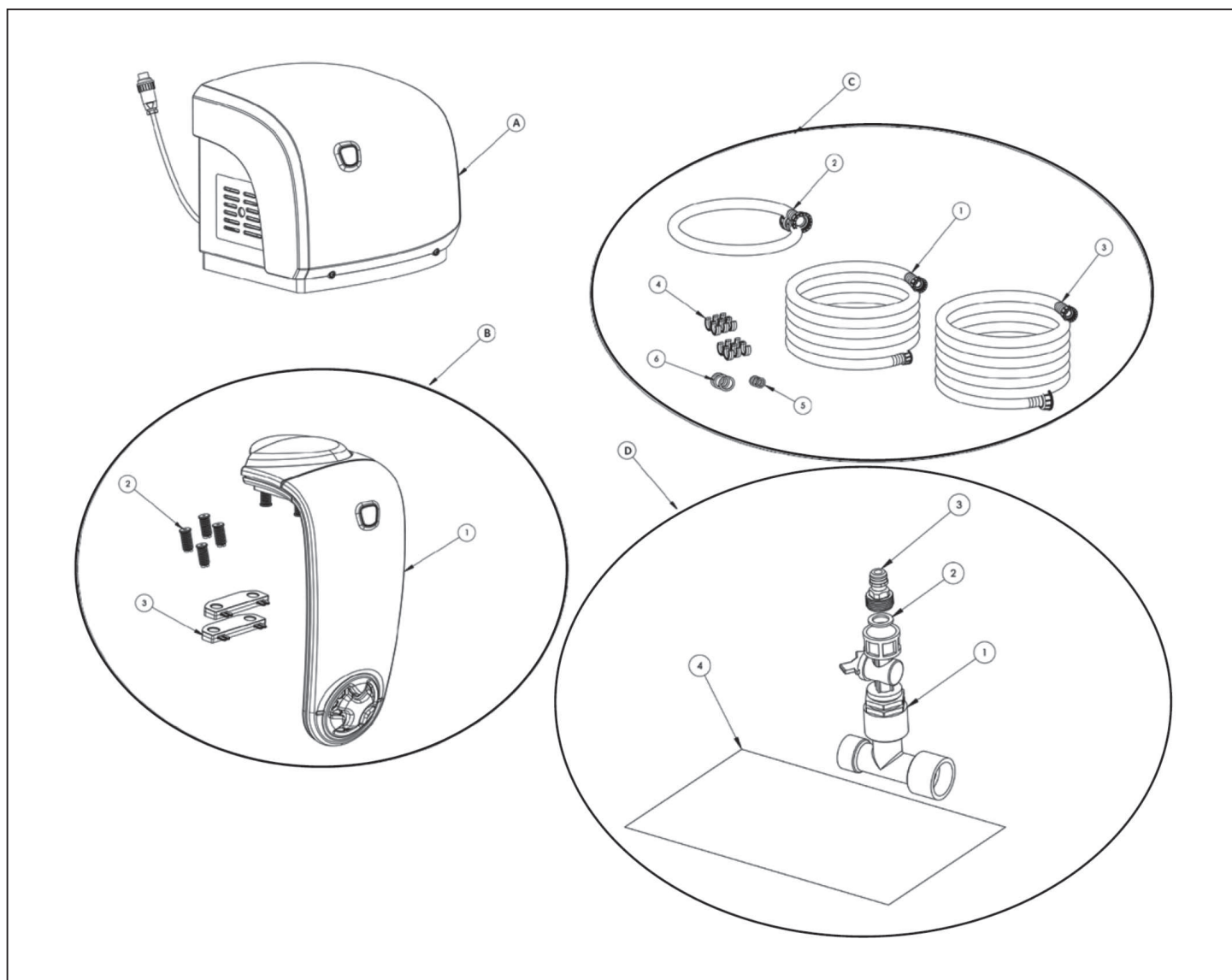
# Tepelná čerpadla Power First Premium TSR

| detail | identifikace | popis   |
|--------|--------------|---|
| 25     | WTC03943     | PFPREM flow rate switch                                     |
| 27     | WTC03996     | ST4 liquid probe  |
| 29     | WTC03998     | SONDES ANTIGEL  |
| 31     | WTC03936     | Condenser 5 µF for PREM                                     |
| 33     | WTC03937     | Switch 18 A, PREM   |
| 35     | WTC04005     | Condenser 55 µF PREM 11                                     |
| 38     | WTC03940     | Phase controller (PREM TRI)                                 |
| 42     | WTC03990     | CÍVKA K 4 CESTNÉMU VENTILU Z300<br>BOBINE V.4 VOISES EDEN D |
| 45     | WTC03815     | Pressure switch, low pressure                               |
| 47     | WTC03944     | Main card PFPREM A1   |
| 40     | WTC03783     | Fan Motor   |
| 1      | WTC03923     | Compressor PFPREM 11TD and 11T                              |
| 1      | WTC03999     | Compressor C-SBP160H38A 15TD                                |
| 17     | WTC03928     | Pressure reducer UKV for PREM 11                            |
| 20     | WTC03989     | 4-way valve PFPREM  |
| 11     | WPV01003     | PFPREM front panel  |
| 13     | WPV01007     | PFPREM technical door                                       |
| 15     | WPV01002     | PFPREM base   |
| 2      | WTC03926     | Compressor insulation PFPREM 11, 13                         |
| 7      | WTC02971     | Condensate drainage tube                                    |
| 67     | WTC03784     | 4-vane propeller  |
| 71     | WTC03896     | Protective grille 1045 x 765                                |

| detail | identifikace | popis   |
|--------|--------------|---|
| 26     | WTC03995     | Compressor ST5 discharge probe                                  |
| 28     | WTC03997     | ST1 regulation probe  |
| 30     | WTC03934     | Set Electrical PREM 11TD and 15 TD                              |
| 33     | WTC04001     | Switch 25 A, 230 V, 50/60 Hz                                    |
| 34     | WTC03988     | Varistore (S20K275)   |
| 36     | WTC03938     | Softstart 25 A PREM15MD   |
| 41     | WTC03941     | EL.OVLÁDÁNÍ EXPANZ.VENTILU Z300<br>COIL SAG UKV A053            |
| 44     | WTC03991     | Titanium resistance 55W   |
| 46     | WTC03816     | Pressure switch, high pressure                                  |
| 66     | WTC03939     | Display card PREM A2  |
| 1      | WTC03922     | Compressor PFPREM 11MD and 11M                                  |
| 1      | WTC03924     | Compressor PFPREM 15 MD   |
| 6      | WTC03986     | Evaporator PREM 11, 13 and 15                                   |
| 17     | WTC03994     | TLAKOVÝ REGULÁTOR Z300 M/MD/PFP<br>PRESSURE REGUL.Z300 M/MD/PFP |
| 10     | WPV01001     | PFPREM cover  |
| 12     | WPV01006     | PFPREM grille   |
| 14     | WPV01004     | PFPREM rear panel   |
| 16     | WPV01005     | PFPREM upright  |
| 2      | WTC03993     | Compressor insulation PFPREM 15                                 |
| 8      | WTC03942     | PREMIUM Lexan   |
| 68     | WTC03895     | Fan motor bracket   |

Pro produkty: 565POWFP15TD

# Zodiac Easy Connect





# Zodiac Easy Connect

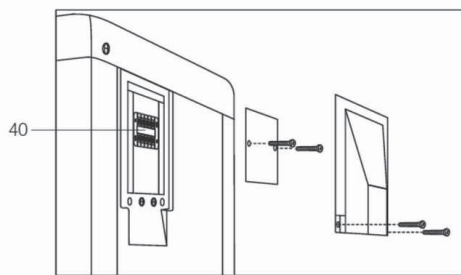
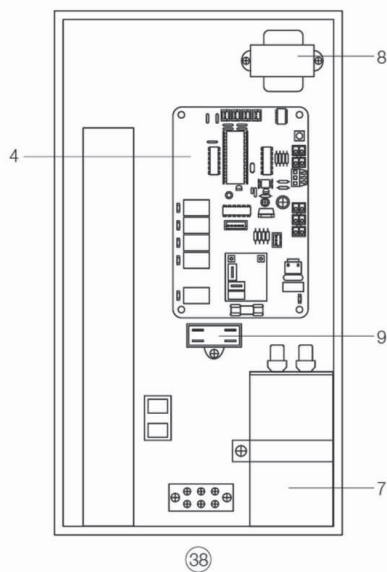
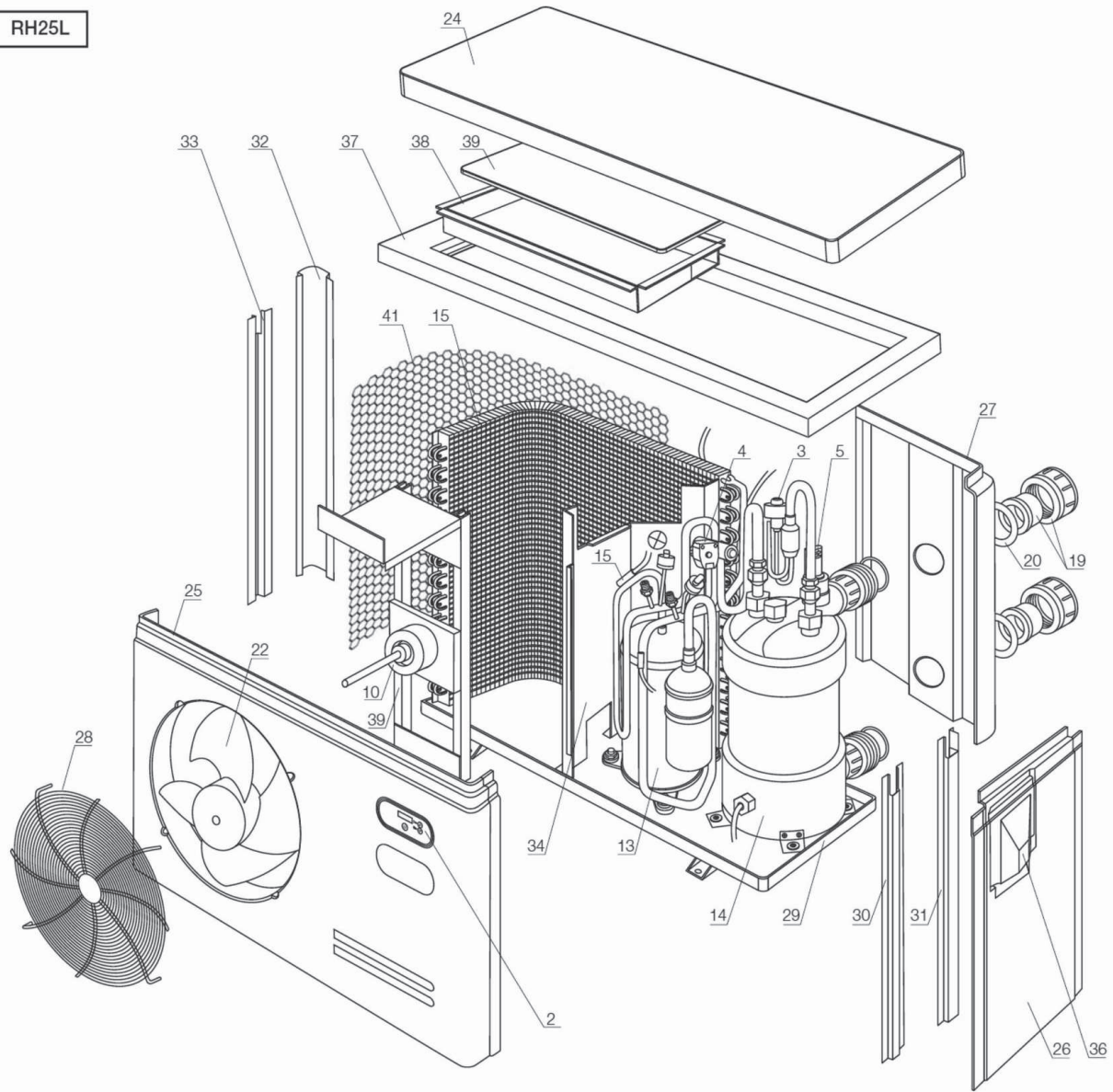
| detail | identifikace | popis  |
|--------|--------------|--|
| A      | W2357A       | BOX EASY CONNECT S ČERPADLEM<br>BOX EASY CONNECT WITH PUMP |
| C      | W2359A       | EASY CONNECT   |
| B1     |              | EASY IN/OUT HEAD   |
| B3     |              | FIXING EDGE  |
| C2     |              | IN/OUT HOSE 1M   |
| C4     |              | EASY CONNECT HOSE FITTING                                  |
| C6     |              | FLAT SEAL 1 1/2 HOSE CONNECTOR                             |
| D2     |              | TPE 3/4 HOSE CONNECTOR                                     |
| D4     |              | EASY CONNECT T-CONNECTOR ADDENDUM                          |

Pro produkty: 565ZPOWKIT

| detail | identifikace | popis  |
|--------|--------------|--|
| B      | W2358A       | PONORNÁ ČÁST EASY CONNECT<br>WATER PART EASY CONNECT |
| D      | W2396A       | T-VALVE ASSEMBLY                                     |
| B2     |              | ADJUSTABLE FOOT                                      |
| C1     |              | IN/OUT HOSE 6M                                       |
| C3     |              | IN/OUT HOSE 7M                                       |
| C5     |              | FLAT SEAL 1 HOSE CONNECTOR                           |
| D1     |              | S/E T VALVE  |
| D3     |              | EASY CONNECT QUICK CONNECT                           |

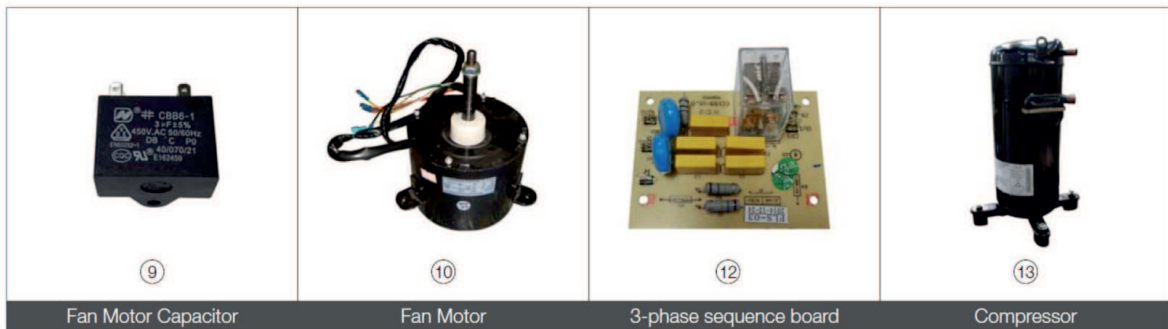
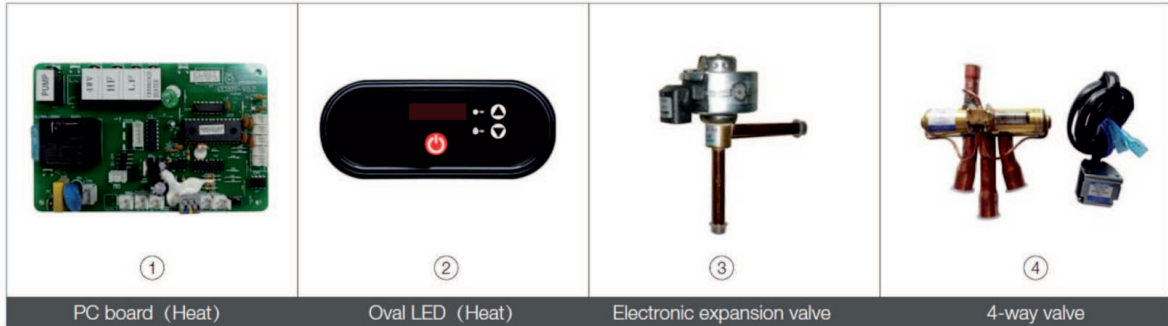
# Tepelné čerpadlo Rapid RH25L

RH25L





# Tepelné čerpadlo Rapid RH25L



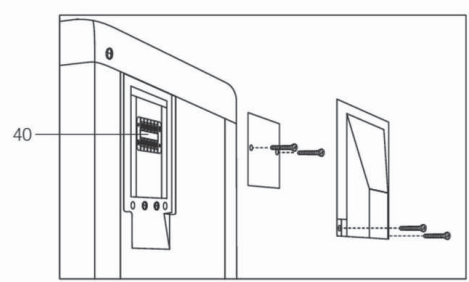
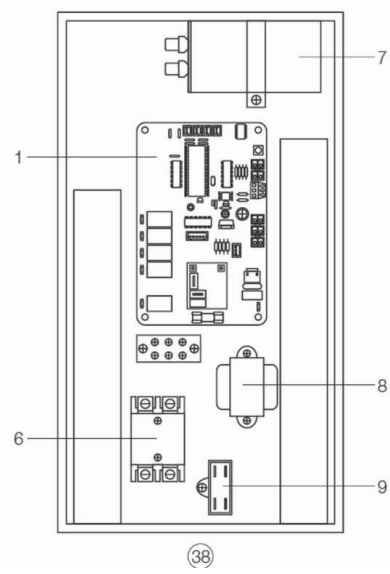
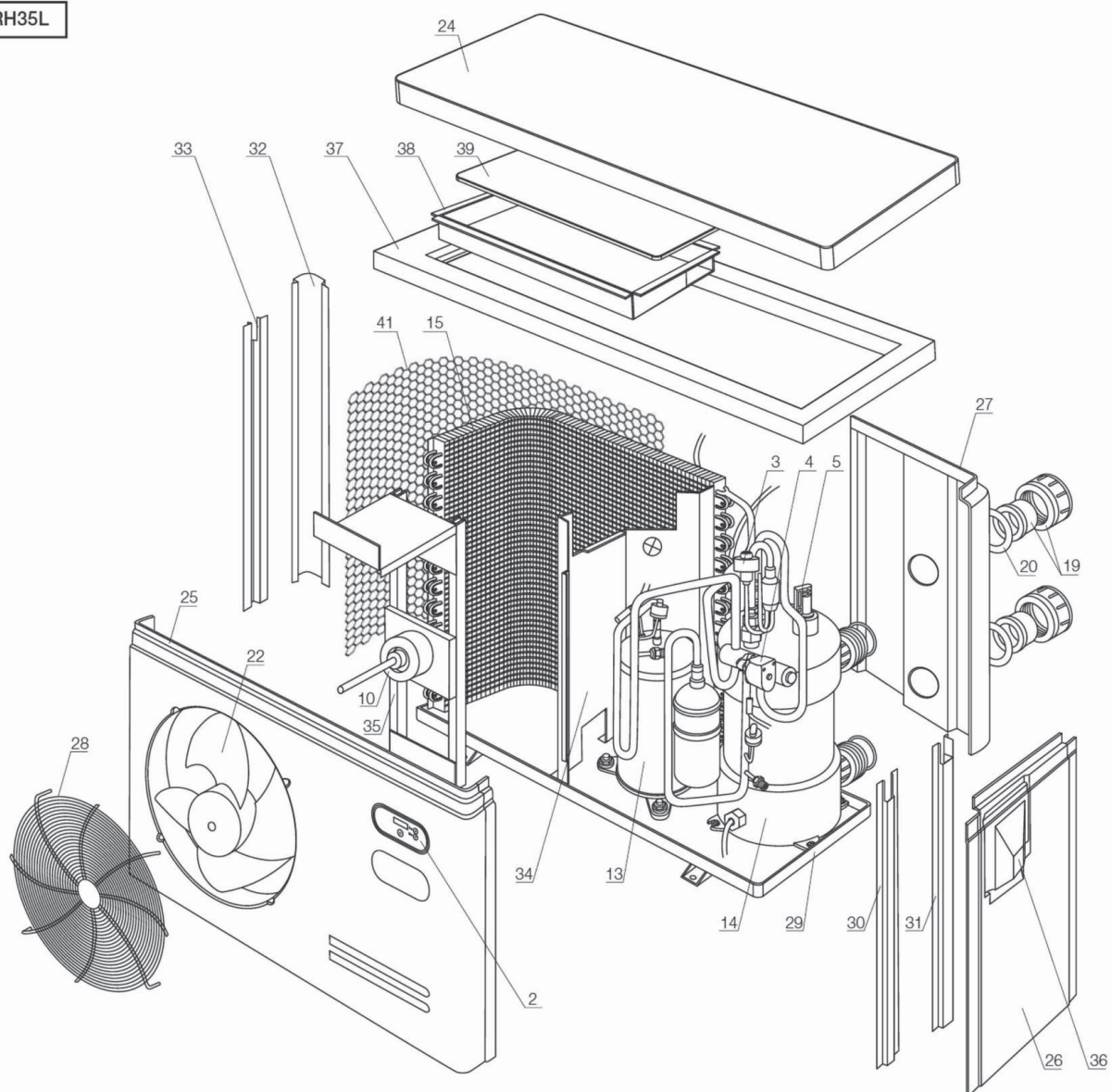
| detail | identifikace | popis  |
|--------|--------------|--|
| 1      | FRH20001     | PC KARTA RAPID<br>PC BOARD RAPID   |
| 2      | FRH25002     | OVLÁDACÍ PANEL RAPID<br>CONTROL PANEL  |
| 7      | FRH25007     | KONDENZÁTOR VENTILÁTORU RH25L<br>FAN CONDENSER RH25L   |
| 8      | FRH25004     | TRANSFORMÁTOR RAPID<br>TRANSFORMER RAPID   |
| 11     | FPH20008     | ČIDLO TEPLoty FAI<br>TEMPERATURE SENSOR  |
| 19+20  | FPH20010     | NAPOJENÍ (ŠROUBENÍ) 2KS<br>WATER NOZZLE  |
| 22     | FRH00014     | VRTULE VENTILÁTORU RAPID<br>FAN RAPID  |
| 25     | FRH25005     | PŘEDNÍ PANEL RAPID RH25L<br>FRONT PANEL OF RAPID RH25L   |
|        | FPH00003     | Kabel + držák ovládacího displaye (panelu)<br>CABLE + HOLDER BOX FOR REMOTE CONTROL<br>DISPLAY |
|        | FPH20002     | Digitální ovládací panel pro Tep. čerpadla<br>DIGITAL CONTROL PANEL SQUARE FOR HEAT<br>PUMPS   |
|        | FPH00001     | Silent block nohy - 4 kusy pro tep. čerpadla<br>SILENT BLOCKS 4 PIECES, FOR HEAT PUMPS         |

| detail | identifikace | popis   |
|--------|--------------|---|
| 2      | FRH25001     | DIGI OVLADAČ RAPID<br>DIGI CONTORLLER RAPID   |
| 5      | FRH25009     | PRŮTOK SPÍNAČ RAPID   |
| 9      | FRH25007     | KONDENZÁTOR VENTILÁTORU RH25L<br>FAN CONDENSER RH25L                                      |
| 10     | FRH25015     | MOTOR VENTILÁTORU RH25L<br>FAN ELECTRIC MOTOR RH25L                                       |
| 14     | 552RH25      | TEPELNÝ VÝMĚNÍK RAPID RH25L<br>HEAT EXCHANGER RAPID RH25L                                 |
| 21     | FTHP05N012   | VYPOUŠTĚCÍ HADICE FAIRLAND<br>DRAINING TUBE + BLACK JOINT                                 |
| 24     | FRH25018     | VRCHNÍ KRYT RAPID RH25L<br>TOP COVER RAPID RH25L  |
| 36     | FRH25012     | BOČNÍ KRYT RAPID RH25L PRO SVORKOVNICI<br>SIDE COVER RAPID RH25L                          |
|        | FRH00003     | PRODLUŽOVACÍ KABEL K OVLÁDÁNÍ RAPID<br>CABLE TO CONTROL BOX RAPID                         |
|        | FPH00000     | Servisní ovládací display pro Tep. čerpadla<br>Service professional digital control panel |
|        | FRH01        | Zimní plachta - pro RAPID RH25, RH35, RH50<br>Winter cover - for RAPID RH25, RH35, RH50   |

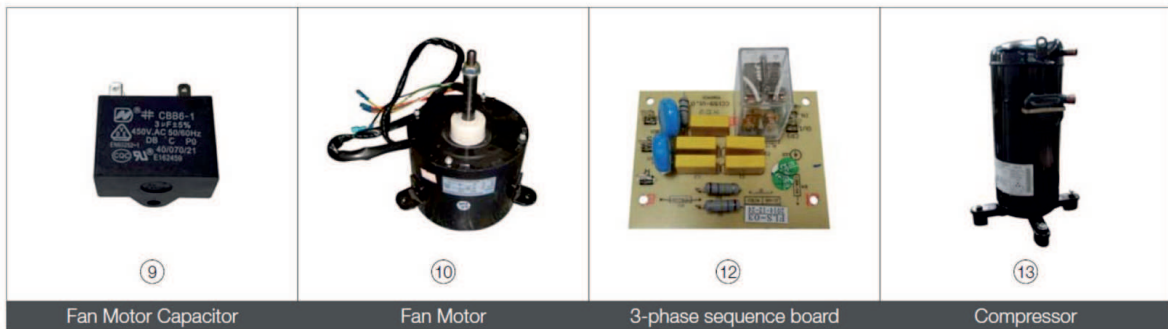
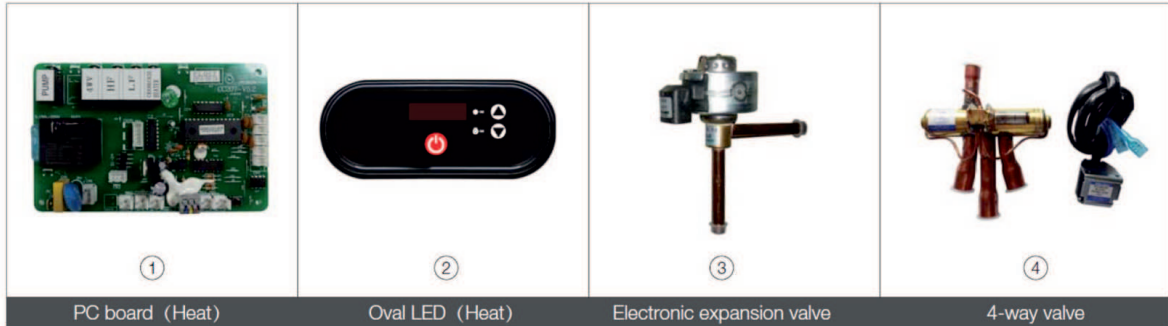
Pro produkty: 565RH10, 565RH10C

# Tepelné čerpadlo Rapid RH35L

RH35L



# Tepelné čerpadlo Rapid RH35L



| detail | identifikace | popis   |
|--------|--------------|---|
| 1      | FRH20001     | PC KARTA RAPID<br>PC BOARD RAPID  |
| 2      | FRH25002     | OVLÁDACÍ PANEL RAPID<br>CONTROL PANEL   |
| 6      | FPH30005     | STYKAČ PH30, PH35L<br>CONTACTOR PH30, PH35L   |
| 8      | FRH25004     | TRANSFORMÁTOR RAPID<br>TRANSFORMER RAPID  |
| 10     | FRH35015     | MOTOR VENTILÁTORU RH35L<br>FAN ELECTRIC MOTOR RH35L                                       |
| 14     | 552RH35      | TEPELNÝ VÝMĚNÍK RAPID RH35L<br>HEAT EXCHANGER RAPID RH35L                                 |
| 21     | FTHP05N012   | VYPOUŠTĚCÍ HADICE FAIRLAND<br>DRAINING TUBE + BLACK JOINT                                 |
| 24     | FRH35018     | VRCHNÍ KRYT RAPID RH35L<br>TOP COVER RAPID RH35L  |
| 36     | FRH25012     | BOČNÍ KRYT RAPID RH25L PRO SVORKOVNICI<br>SIDE COVER RAPID RH25L                          |
|        | FRH00003     | PRODLUŽOVACÍ KABEL K OVLÁDÁNÍ RAPID<br>CABLE TO CONTROL BOX RAPID                         |
|        | FPH0000      | Servisní ovládací display pro Tep. čerpadla<br>Service professional digital control panel |
|        | FRH01        | Zimní plachta - pro RAPID RH25,RH35,RH50<br>Winter cover - for RAPID RH25,RH35,RH50       |

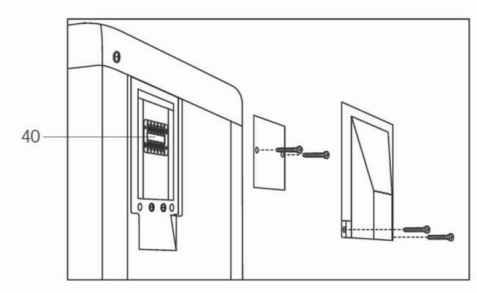
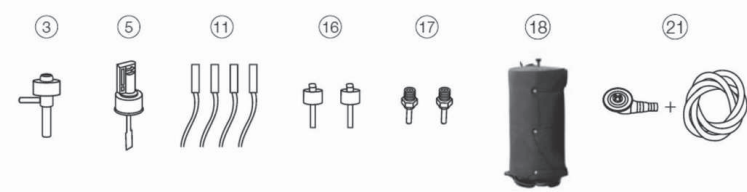
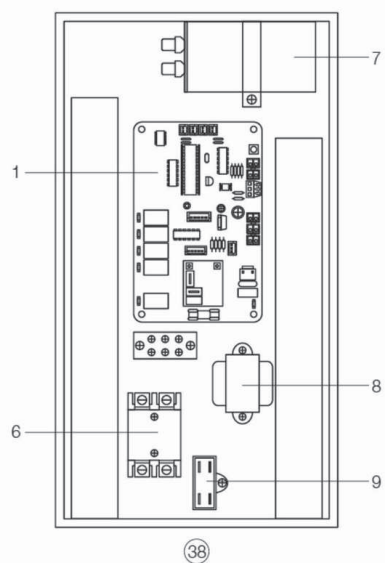
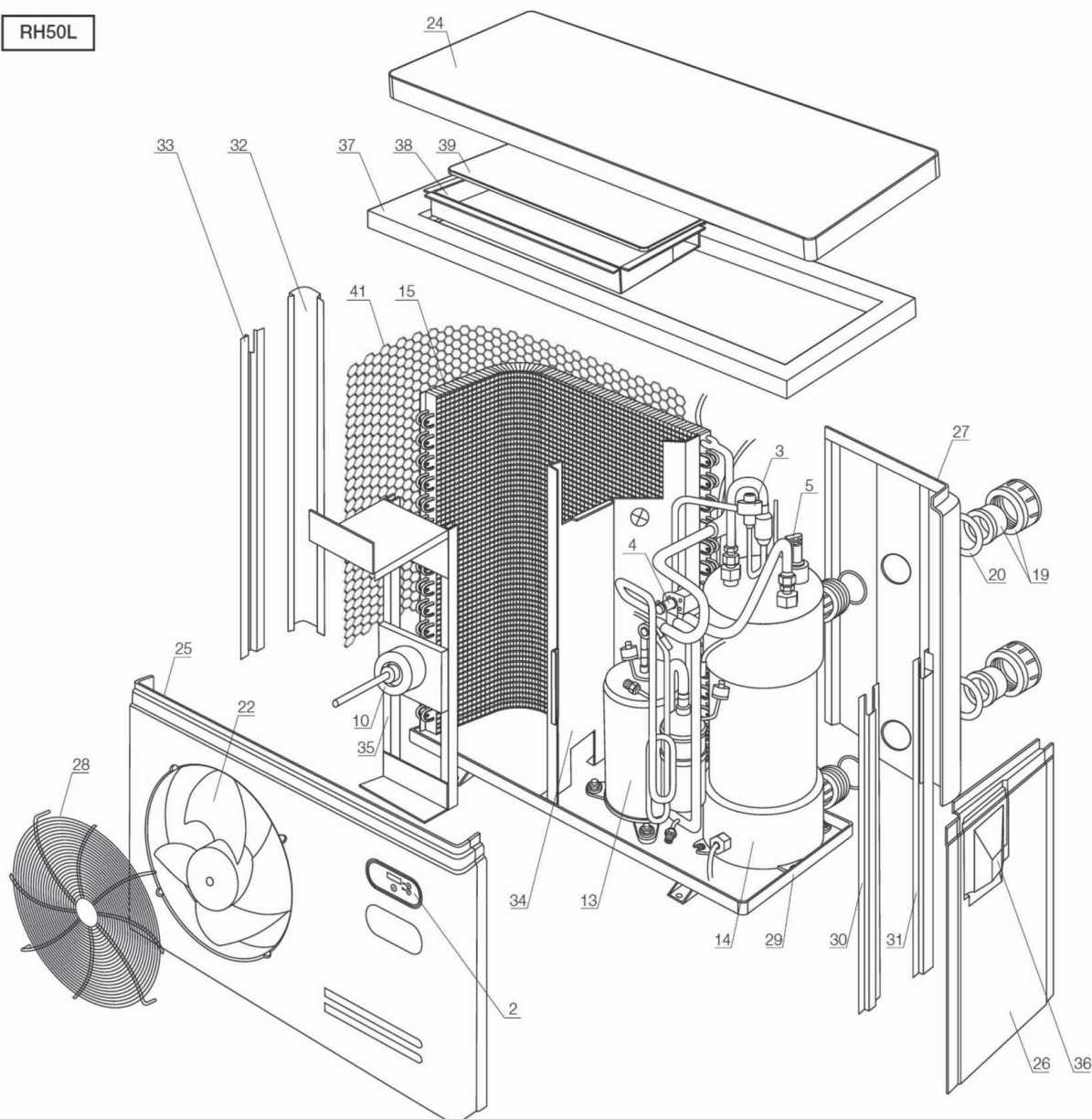
| detail | identifikace | popis  |
|--------|--------------|--|
| 2      | FRH25001     | DIGI OVLADAČ RAPID<br>DIGI CONTORLLER RAPID  |
| 5      | FRH25009     | PRŮTOK SPÍNAČ RAPID  |
| 7      | FRH35007     | KONDENZÁTOR VENTILÁTORU RH35L<br>FAN CONDENSER RH35L   |
| 9      | FRH35007     | KONDENZÁTOR VENTILÁTORU RH35L<br>FAN CONDENSER RH35L   |
| 11     | FPH20008     | ČIDLO TEPLoty FAI<br>TEMPERATURE SENSOR  |
| 19+20  | FPH20010     | NAPOJENÍ (ŠROUBENÍ) 2KS<br>WATER NOZZLE  |
| 22     | FRH00014     | VRTULE VENTILÁTORU RAPID<br>FAN RAPID  |
| 25     | FRH35005     | PŘEDNÍ PANEL RAPID RH35L<br>FRONT PANEL OF RAPID RH35L   |
|        | FPH00003     | Kabel + držák ovládacího displaye (panelu)<br>CABLE + HOLDER BOX FOR REMOTE CONTROL<br>DISPLAY |
|        | FPH20002     | Digitální ovládací panel pro Tep. čerpadla<br>DIGITAL CONTROL PANEL SQUARE FOR HEAT<br>PUMPS   |
|        | FPH00001     | Silent block nohy - 4 kusy pro tep. čerpadla<br>SILENT BLOCKS 4 PIECES, FOR HEAT PUMPS         |

Pro produkty: 565RH13, 565RH13C

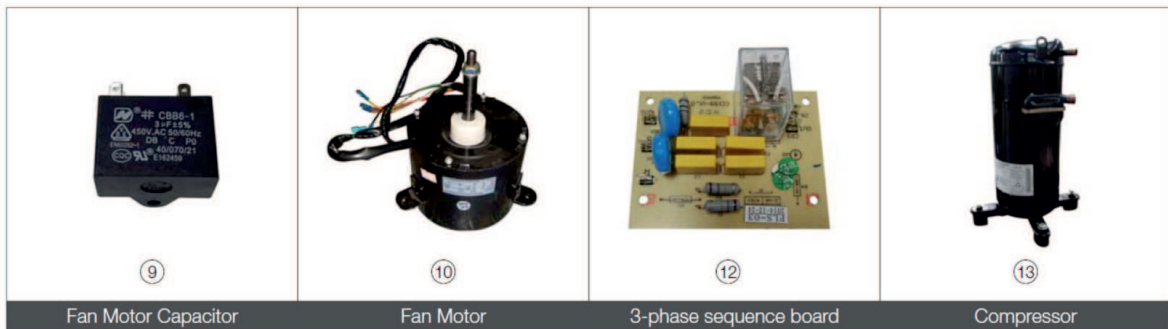
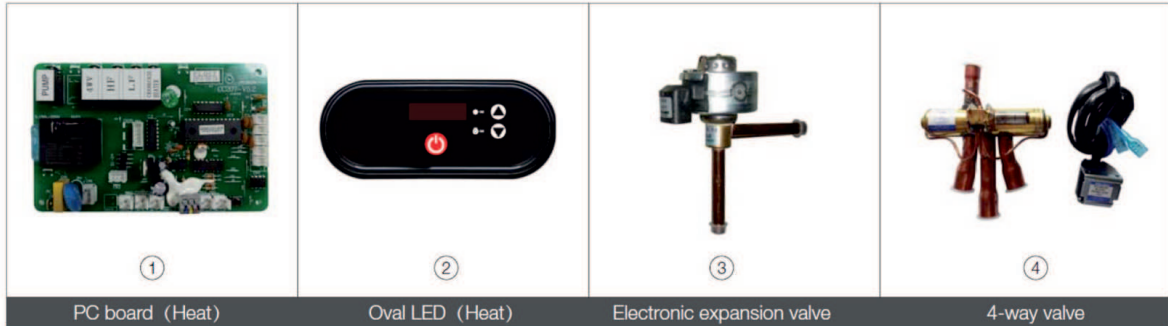


# Tepelné čerpadlo Rapid RH50L

RH50L



# Tepelné čerpadlo Rapid RH50L





| detail | identifikace | popis  |
|--------|--------------|--|
| 1      | FRH20001     | PC KARTA RAPID<br>PC BOARD RAPID   |
| 2      | FRH25002     | OVLÁDACÍ PANEL RAPID<br>CONTROL PANEL  |
| 6      | FPH30005     | STYKAČ PH30, PH35L<br>CONTACTOR PH30, PH35L  |
| 8      | FRH25004     | TRANSFORMÁTOR RAPID<br>TRANSFORMER RAPID   |
| 10     | FRH50015     | MOTOR VENTILÁTORU RH50L 100W<br>FAN ELECTRIC MOTOR RH50L 100W                                  |
| 14     | 552RH50      | TEPELNÝ VÝMĚNÍK RAPID RH50L<br>HEAT EXCHANGER RAPID RH50L                                      |
| 21     | FTHP05N012   | VYPOUŠTĚCÍ HADICE FAIRLAND<br>DRAINING TUBE + BLACK JOINT                                      |
| 24     | FRH25018     | VRCHNÍ KRYT RAPID RH25L<br>TOP COVER RAPID RH25L   |
|        | FPH00003     | Kabel + držák ovládacího displeje (panelu)<br>CABLE + HOLDER BOX FOR REMOTE CONTROL<br>DISPLAY |
|        | FPH20002     | Digitální ovládací panel pro Tep. čerpadla<br>DIGITAL CONTROL PANEL SQUARE FOR HEAT<br>PUMPS   |
|        | FPH00001     | Silent block nohy - 4 kusy pro tep. čerpadla<br>SILENT BLOCKS 4 PIECES, FOR HEAT PUMPS         |

Pro produkty: 565RH17, 565RH17C

| detail | identifikace | popis   |
|--------|--------------|---|
| 2      | FRH25001     | DIGI OVLADAČ RAPID<br>DIGI CONTORLLER RAPID   |
| 5      | FRH25009     | PRŮTOK SPÍNAČ RAPID   |
| 7      | FRH50007     | KONDENZÁTOR VENTILÁTORU RH50L<br>FAN CONDENSER RH50L                                      |
| 9      | FRH50007     | KONDENZÁTOR VENTILÁTORU RH50L<br>FAN CONDENSER RH50L                                      |
| 11     | FPH20008     | ČIDLO TEPLoty FAI<br>TEMPERATURE SENSOR   |
| 19+20  | FRH20010     | NAPOJENÍ (ŠROUBENÍ) RAPID 2KS   |
| 22     | FRH00014     | VRTULE VENTILÁTORU RAPID<br>FAN RAPID   |
| 36     | FRH25012     | BOČNÍ KRYT RAPID RH25L PRO SVORKOVNICI<br>SIDE COVER RAPID RH25L                          |
|        | FRH00003     | PRODLUŽOVACÍ KABEL K OVLÁDÁNÍ RAPID<br>CABLE TO CONTROL BOX RAPID                         |
|        | FPH00000     | Servisní ovládací display pro Tep. čerpadla<br>Service professional digital control panel |
|        | FRH01        | Zimní plachta - pro RAPID RH25, RH35, RH50<br>Winter cover - for RAPID RH25, RH35, RH50   |

