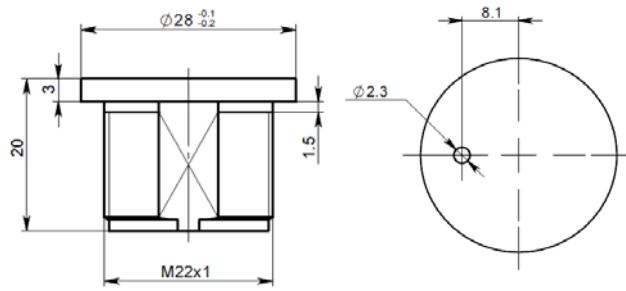
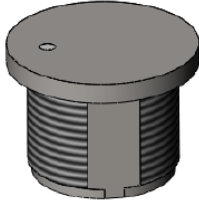


Piezo Switch Specifications

I.) Blue-DOT LED



Operation Diagram

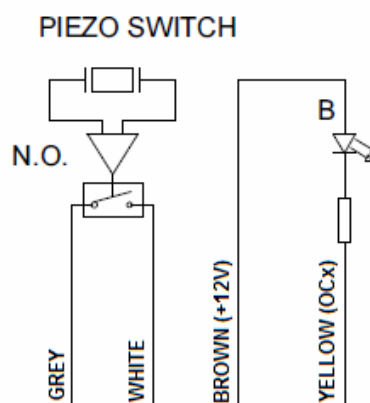
Pressure applied:



Momentary output:
(NO - normal open)



Piezobutton Wiring



Specifications

Switching Voltage: 1-24V AC/DC

Switching Current: 1A max.

Switch Resistance „ON“: <math>< 20 \text{ ohm}</math>

Switch Resistance „OFF“: $> 5M \text{ ohm}$

Actuation Force: 3–5N

Make Pulse Time: 125-300ms

Operating Temperature: -20°C - $+70^{\circ}\text{C}$

Storage Temperature: -40°C - $+85^{\circ}\text{C}$

IP Protection: IP69K (front and rear side)

LED Color: Blue

LED Operating Voltage: 12V DC

Each LED Current Consumption: <math>< 20\text{mA}</math>

Housing Material: Stainless Steel 316L

Connecting Cable: $6 \times 0.14\text{mm}^2$, length 2.5/ 8m