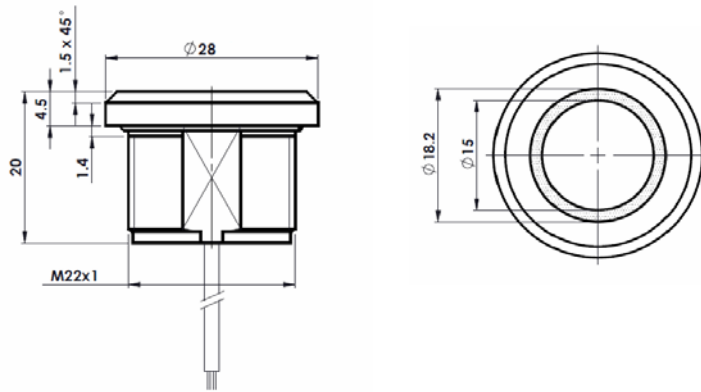
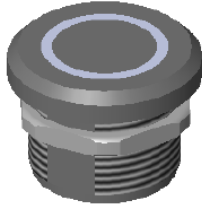


Piezo Switch Specifications

II.) R/G/B-RING LED



Operation Diagram

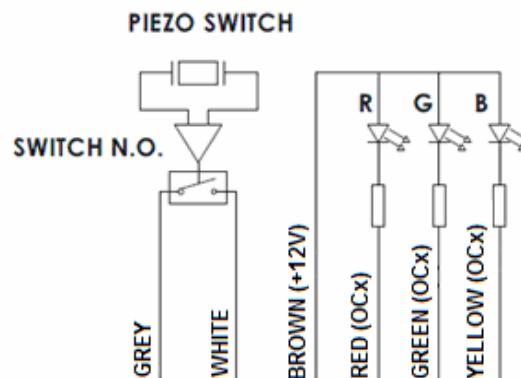
Pressure applied:



Momentary output:
(NO - normal open)



Piezobutton Wiring



Specifications

- Switching Voltage: 1-24V AC/DC
- Switching Current: 1A max.
- Switch Resistance „ON“: <20 ohm
- Switch Resistance „OFF“: >5M ohm
- Actuation Force: 3–5N
- Make Pulse Time: 125-300ms
- Operating Temperature: -20°C - +70°C
- Storage Temperature: -40°C - +85°C
- IP Protection: IP69K (front and rear side)
- LED Color: Red / Green / Blue (R/G/B)
- LED Operating Voltage: 12V DC
- Each LED Current Consumption: < 20mA
- Housing Material: Stainless Steel 316L
- Connecting Cable: 6x0.14mm², length 2.5/ 8/ 15m