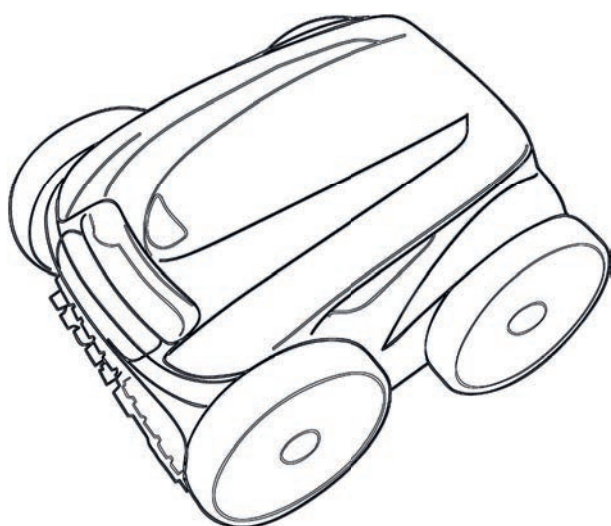


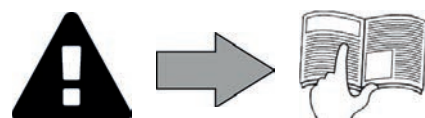
RV 5480 iQ

Instructions for installation and use - English
Electric pool cleaner
Translation of the original instructions in french

EN



More documents on:
www.zodiac.com



WARNINGS

GENERAL WARNINGS

- Failure to respect the warnings may cause serious damage to the pool equipment or cause serious injury, even death.
- Only a person qualified in the technical fields concerned (electricity, hydraulics or refrigeration) is authorised to perform this procedure. The qualified technician working on the appliance must use/wear personal protective equipment (such as safety goggles and protective gloves, etc.) in order to reduce the risk of injury occurring when working on the appliance.
- Before handling the appliance, ensure that it is switched off and isolated.
- The appliance is intended to be used only for swimming pools and spas; it must not be used for any purpose other than that for which it has been designed.
- It is important that the appliance is operated by people who are competent and qualified (both physically and mentally), after having read the instructions for use. All persons not meeting these criteria must not approach the appliance in order to avoid exposure to dangerous elements.
- Keep the appliance out of the reach of children.
- The appliance must be installed according to the manufacturer's instructions and in compliance with local standards. The installer is responsible for installing the appliance and for compliance with national installation regulations. Under no circumstances may the manufacturer be held liable in the event of failure to comply with applicable local installation standards.
- For any work other than the simple user maintenance described in this manual, the product should be referred to a qualified professional.
- Incorrect installation and/or use may cause serious damage to property or serious injuries (possibly causing death).
- All equipment, even postage and packing paid, travels at the risks and perils of the recipient. The latter shall issue reserves in writing on the carrier's delivery slip if damage is detected, caused during transport (confirmation to be sent to the carrier within 48 hours by registered letter). In the event that an appliance containing coolant has been turned on its side, mention your reservations in writing to the carrier.
- If the appliance suffers a malfunction, do not try to repair it yourself; instead contact a qualified technician.
- Refer to the warranty conditions for details of the permitted water balance values for operating the appliance.
- In addition to using spare parts manufactured by unauthorised third-party manufacturers, deactivating, eliminating or by-passing any of the safety mechanisms integral to the appliance, will automatically void the warranty.
- Do not spray insecticide or any other chemical (flammable or non-flammable) in the direction of the appliance, as this may damage the body and cause a fire.
- Zodiac® heat pump, filtration pump and filter appliances are compatible with the most commonly used types of pool water treatment systems.
- Do not touch the fan and/or any moving parts and do not insert anything, including your fingers in the vicinity of the moving parts while the appliance is in operation.

WARNINGS ASSOCIATED WITH ELECTRICAL APPLIANCES

- The electrical supply to the appliance must be protected by a dedicated 30 mA differential residual current protection device (RCD), complying with the standards and regulations in force in the country where it is installed.
- Do not use an extension cord to plug in the appliance; plug it directly into a proper wall socket or outlet.
- Before carrying out any operations, check that:
 - The voltage indicated on the rating plate of the appliance corresponds to the mains voltage,
 - The power grid is adapted to the power requirements of the appliance, and is grounded.
 - The plug (where applicable) is suitable for the socket.
- In the event of abnormal function or signs of overheating such as a burning odour from the appliance, turn it off immediately, unplug it from its power supply and contact a professional.
- Before accessing the enclosure for any reason, ensure that all power to the appliance and also power to any accessories or external devices which may be connected to the appliance, is disconnected from the mains power supply.
- Do not disconnect and reconnect the appliance to the power supply when in operation.
- Do not pull on the power cord to disconnect it from the power supply.
- If the supply cord is damaged, it must be replaced by the manufacturer, its service agent or similarly qualified persons in order to avoid a hazard.
- Do not attempt to carry out any servicing or maintenance operations with wet hands or while the appliance is wet.
- Ensure that all terminals for mains power are free in good condition and free of corrosion and/or dirt/debris.
- For any component or sub-assembly containing a battery: do not recharge or dismantle the battery, or throw it into a fire. Do not expose it to high temperatures or direct sunlight.
- In stormy weather, unplug the appliance to prevent it from suffering lightning damage.
- Do not immerse the appliance in water (with the exception of cleaners) or mud.

SPECIFIC FEATURES APPLICABLE TO "Pool cleaners"

- The cleaner must operate in pool water with a temperature of between 15°C and 35°C.
- To avoid possible injury and damage to the cleaner, do not operate the cleaner out of the water.
- In order to prevent possible injury, bathing is prohibited when your cleaner is in the pool.
- Do not use the cleaner during shock chlorination.
- Do not leave the cleaner unattended for an extended period.

WARNING ON THE USE OF A CLEANER IN A POOL WITH A VINYL SURFACE:

- Before installing your new cleaner, carefully inspect the lining of your pool. If the liner has eroded in some areas, or if you notice gravel, folds, roots or corrosion caused by metal on the inner surface of the liner, or if you notice that the support (bottom and walls) is damaged, do not install the cleaner before performing the necessary repairs or before replacing the liner using a qualified professional. The manufacturer cannot be held liable in any way for damage caused to the liner.
- The surface of certain vinyl patterned surfaces can wear rapidly and the patterns disappear on contact from objects such as cleaning brushes, toys, inflatable buoys, chlorine distributors and automatic pool cleaners. The decoration on some vinyl surfaces can be scratched or worn by basic friction such as through the use of a pool brush. The colours of certain patterns can also be erased during use or when in contact with objects in the pool. The erased patterns, wear or scratching of vinyl surfaces are not the liability of the manufacturer and are not covered by the limited warranty.

Recycling



This symbol means that your appliance should not be disposed of with other rubbish. It will be selectively collected for the purpose of reuse, recycling or transformation. If it contains any substances that may be harmful to the environment, these will be eliminated or neutralised.

Contact your retailer for recycling information.



- Before you do anything with the device, it is vital that you read this installation and user manual, as well as the "warnings and warranty" booklet delivered with the device. Failure to do so may result in material damage or serious or fatal injury and will invalidate the warranty.
- Keep these documents for future reference and pass them on throughout the device's service life.
- Distributing or modifying this document in any way without authorisation from Zodiac® is prohibited.
- Zodiac® is constantly developing its products to improve their quality; therefore, the information contained in this document may be modified without notice.

CONTENTS



1 Specifications

3

1.1 | Description

3

1.2 | Technical specifications and marking

4



2 Installation

5

2.1 | Set-up

5

2.2 | Assembling the caddy

6



3 General use

7

3.1 | Operating principle

7

3.2 | Pool preparation

7

3.3 | Immersing the cleaner

7

3.4 | Electrical supply connections

8

3.5 | The control unit

9

3.6 | Starting and stopping a cleaning cycle

10



4 Control using the iAquaLink™ app

12

4.1 | Connecting to the iAquaLink™ app

12

4.2 | First-time cleaner configuration

12

4.3 | iAquaLink™ remote control

13



5 Maintenance

17

5.1 | Cleaning the filter

17

5.2 | Cleaning the propeller

18

5.3 | Replacing the brushes

19

5.4 | Changing the tyres

20



6 Troubleshooting

21

6.1 | Appliance behaviour

21

6.2 | Error codes

22

6.3 | Troubleshooting the connection to the iAquaLink™ app

23



Tip: to make it easier to contact your dealer

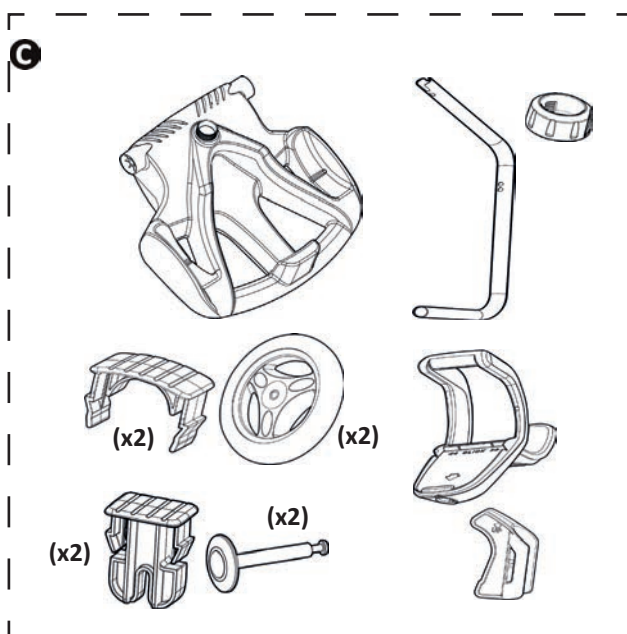
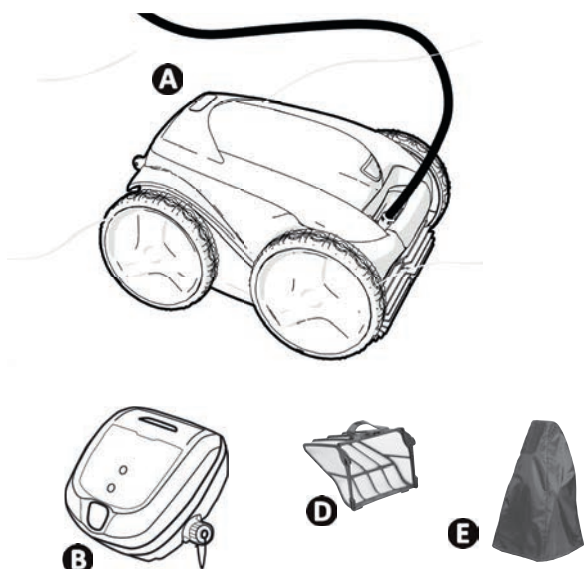
Write down your retailer's contact details to help you find them more easily and fill in the "product" information on the back of the manual; your dealer will ask you for this information.

EN



1 Specifications

1.1 | Description



		RV 5480 iQ
A	Cleaner + floating cable	✓
	Front/rear driving wheels (4WD)	✓
B	Control unit	✓
C	Caddy kit	✓
D	100µ fine debris filter	✓
	200µ large debris filter 60µ very fine debris filter	+
E	Protective cover	+

✓: Supplied

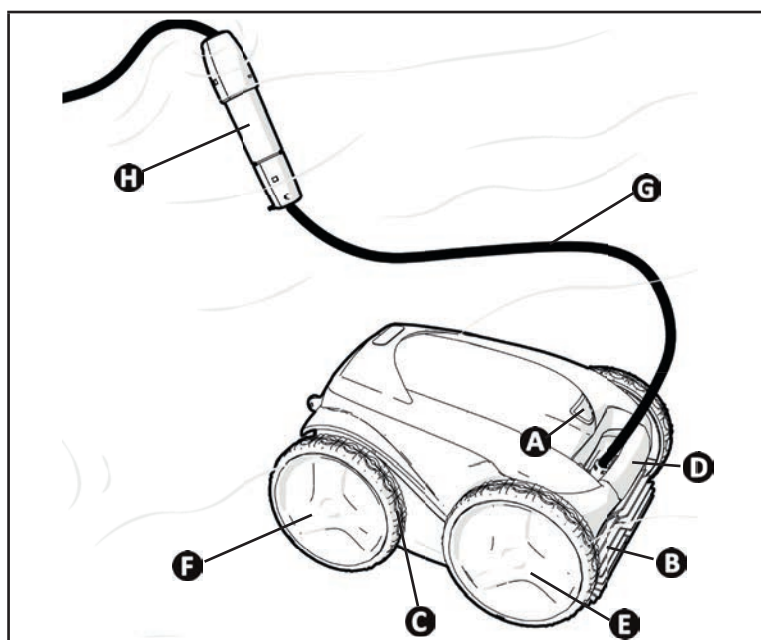
+: Available as an option

1.2 I Technical specifications and marking

1.2.1 Technical specifications

	RV 5480 iQ
Control unit supply voltage	220-240 V ac, 50 Hz
Cleaner supply voltage	30 V dc
Maximum absorbed power	150 W
Cable length	18 m
Cleaner dimensions (L x W x H)	43 x 48 x 27 cm
Package dimensions (L x W x H)	56 x 56 x 46 cm
Cleaner weight	9.5 kg
Packed weight	19 kg
Theoretical cleaning width	270 mm
Pump flow rate	16 cu. m per hr

1.2.2 Marking



- A**: Filter access hatch lock
- B**: Brushes
- C**: Linings
- D**: Transport and removal from pool handle
- E**: Front drive wheels
- F**: Rear drive wheels
- G**: Floating cable
- H**: Swivel

1.2.3 Product conformity

This appliance was designed, constructed and certified to comply with applicable requirements of the following EU product directives :

Low voltage directive 2006/95/EC

Electromagnetic compatibility directive 2004/108/EC

EN 55014

IEC 60335-1 and applicable part 2 standard(s)

The product has been tested under normal conditions of use.

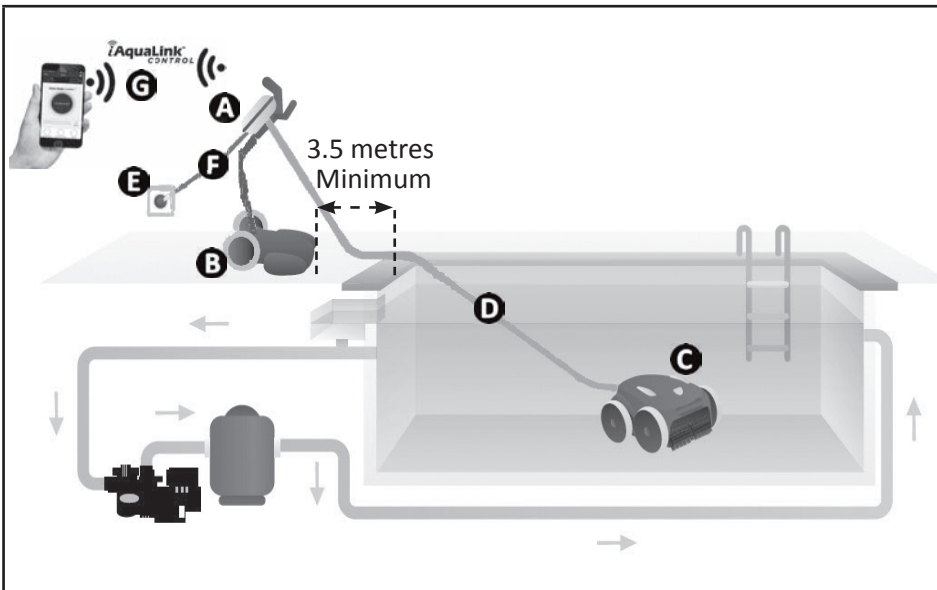
The Robotic Cleaning System has been certified by Intertek as being compliant with the above referenced directives, and is therefore eligible to bear the following certification marks.





2 Installation

2.1 | Set-up

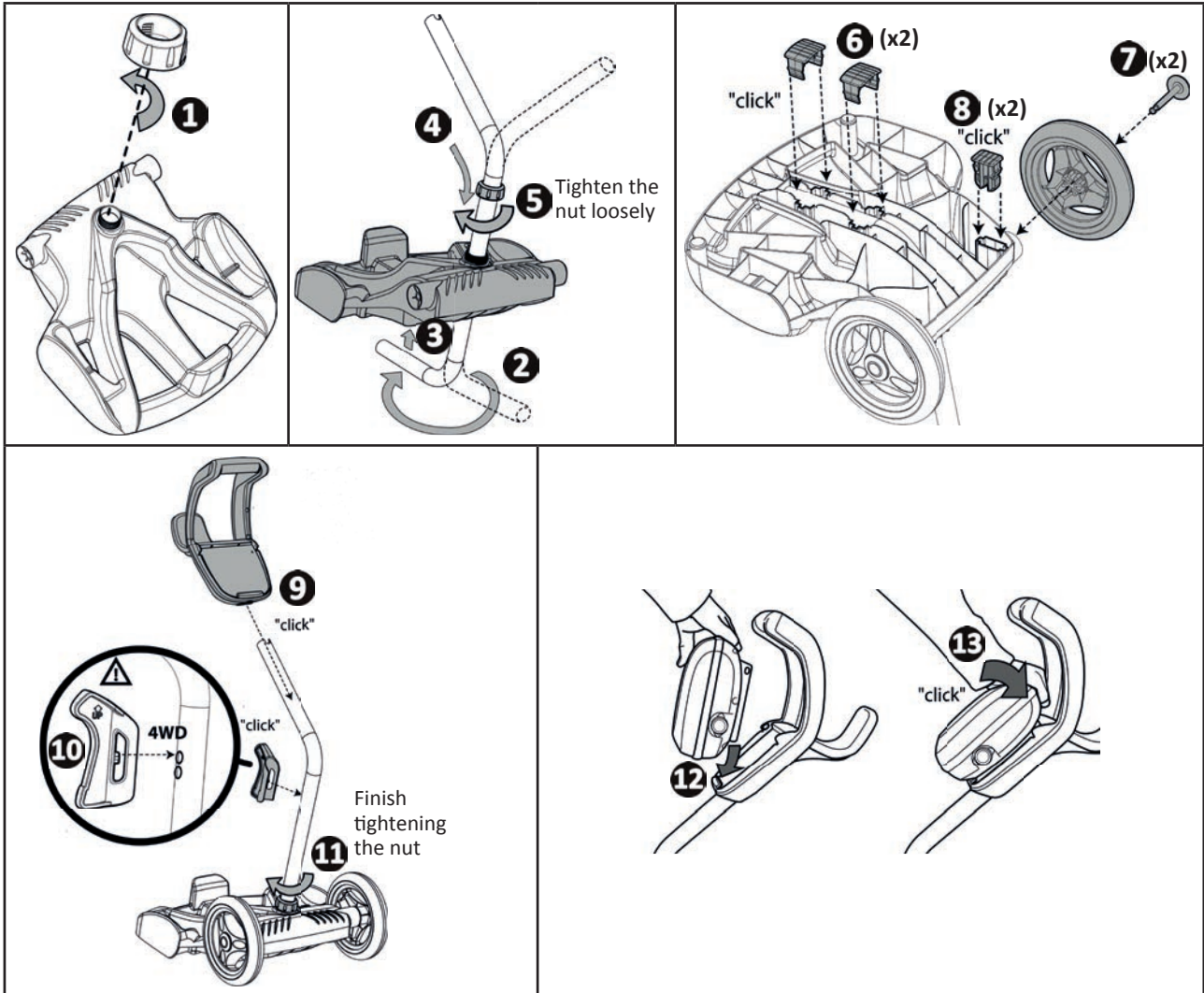


- A**: Control unit
- B**: Caddy
- C**: Cleaner
- D**: Floating cable
- E**: Plug
- F**: Mains cable
- G**: "iAquaLink™" remote control

2.2 | Assembling the caddy



• Tool-less assembly



EN



3 General use

3.1 | Operating principle

The cleaner is independent of the filtration system and can therefore operate autonomously. It just simply needs to be connected to the mains power supply.

It finds the best route to move around and clean the areas of the pool for which it has been designed (depending on the model: bottom, walls, water line). Debris is collected and held in the cleaner's filter.

The cleaner may be operated using one of the following methods:

- The control box, included with the robotic cleaner system;
- A smartphone or tablet which is compatible with the iAquaLink™ application (see "4 Control using the iAquaLink™ app").

3.2 | Pool preparation



- This product is intended to be used in pools which are permanently installed. Do not use it in pools which may be dismantled. A permanent pool one which is built into the ground or on the ground and cannot be easily dismantled and stored.

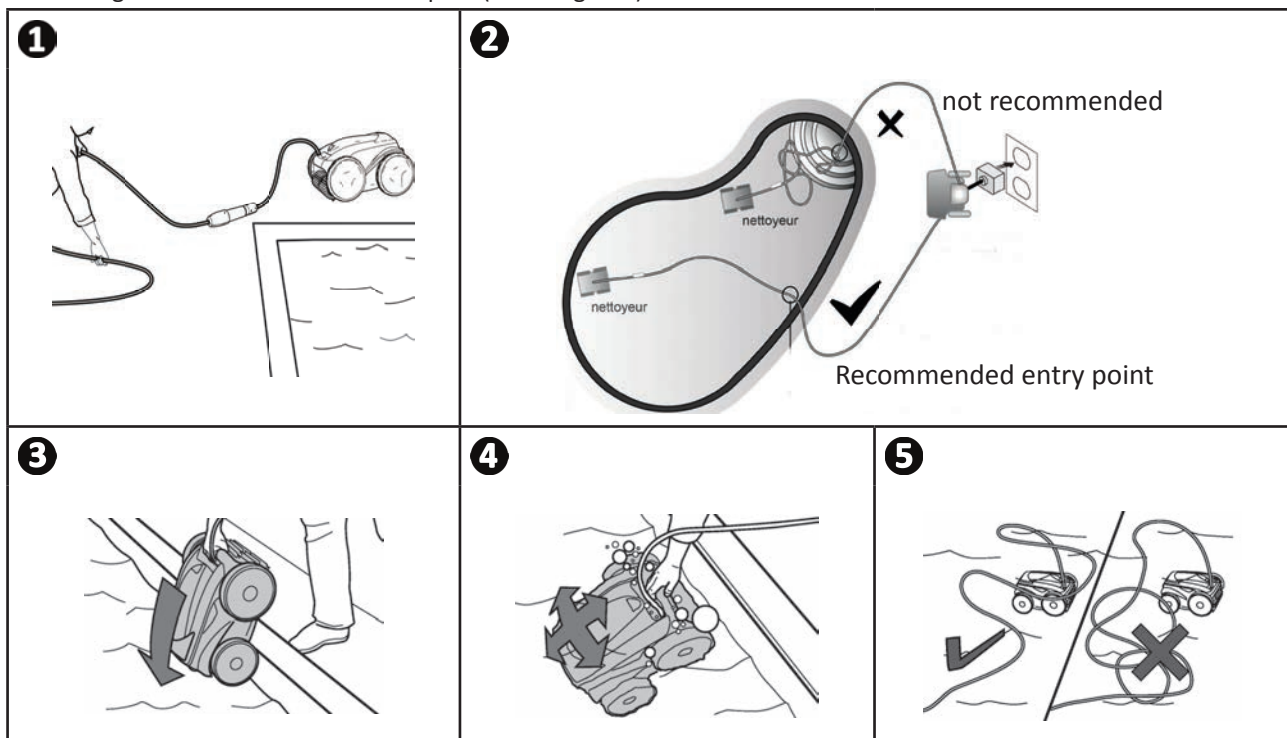
- The device must operate in pool water of the following quality:

Water temperature	Between 15°C and 35°C
pH	Between 6.8 and 7.6
Chlorine	< 3 mg per L

- When the pool is dirty, especially when commissioning, remove the larger debris using a net in order to optimise the device's performance.
- Remove any thermometers, toys and other objects that might damage the device.

3.3 | Immersing the cleaner

- Roll out the full length of the cable alongside the pool to prevent it from becoming entangled during immersion (see image 1).
- Position yourself halfway along the length of the pool before immersing the cleaner (see image 2). This will optimise the cleaner's movements and reduce tangling in the cable.
- Lower the cleaner vertically into the water (see image 3).
- Move it slightly in all directions so that any air trapped in it can escape (see image 4).
- It is essential that the device sinks on its own and settles on the pool bottom. When it is immersed, the cleaner draws the length of cable it needs into the pool (see image 5).



3.4 I Electrical supply connections

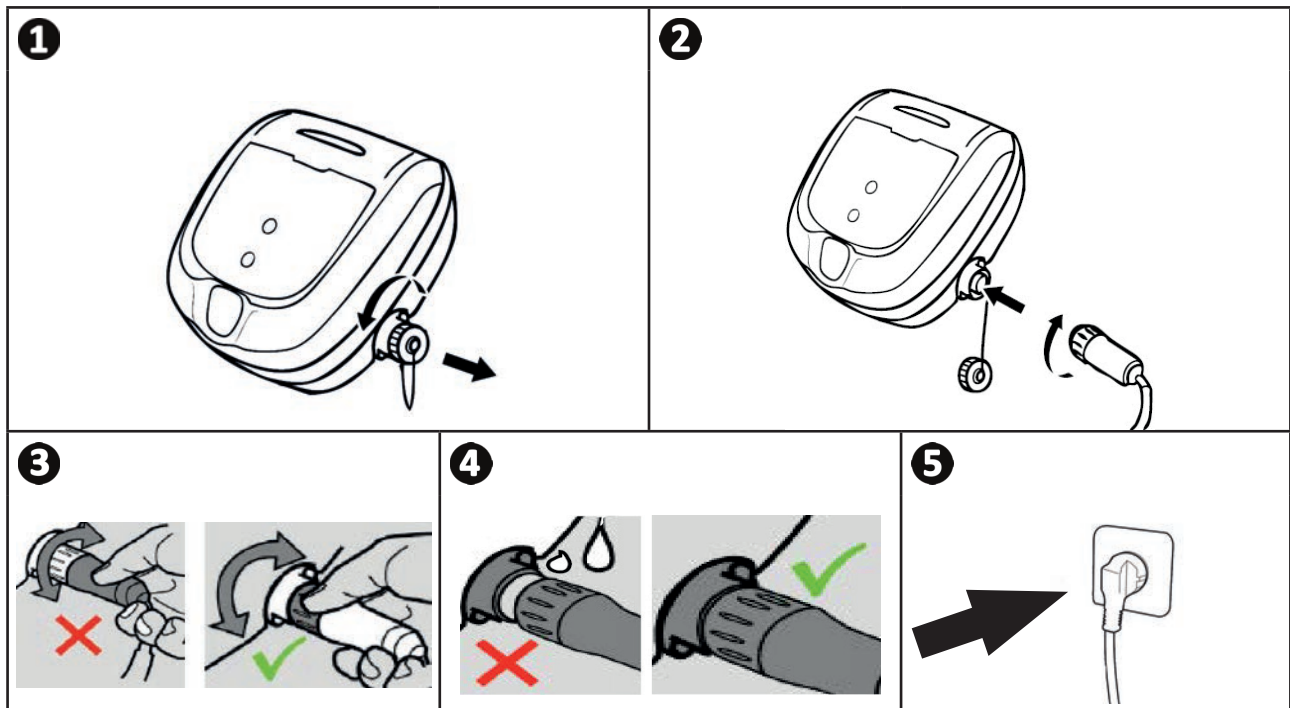
To prevent risk electrocution, fire, or serious injury, be sure to adhere to the following:



- The use of an electrical extension cord is prohibited when connecting the control unit.
- Make sure that the socket is easily accessible at all times and is protected from rain or splashes.
- The control box is splash-proof but must not be immersed. It must not be installed in an area subject to flooding; keep it at least 3.5 metres away from the edge of the pool and avoid exposing it to direct sunlight.
- Position the control unit close to the socket.

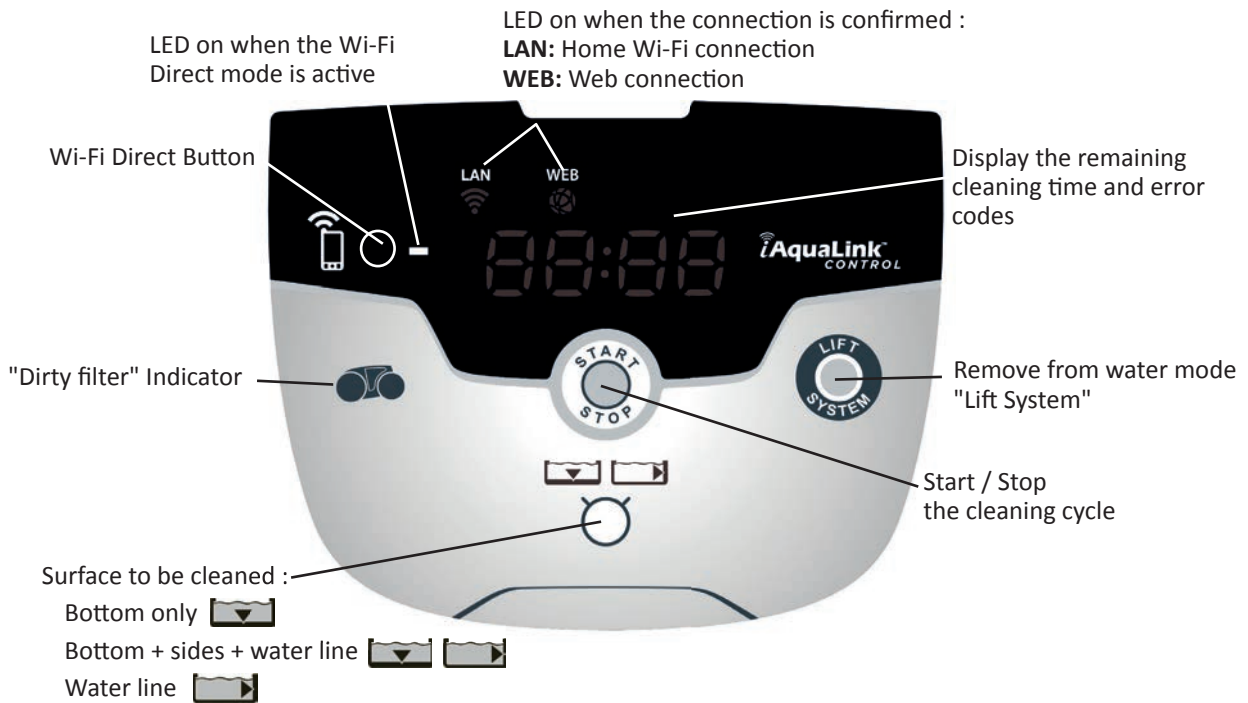
- Unscrew the protective cap (see image 1).
- Connect the floating cable to the control unit and lock it into place by turning it clockwise (risk of damage to the floating cable) (see image 2, 3).
- Make sure that the connector is fully pushed in so that no water can get in (see image 4).
- Connect the mains cable (see image 5). The control unit should only be connected to a power outlet protected by a 30mA maximum, Residual Current Device (RCD) (if in doubt contact a qualified technician).

EN



3.5 | The control unit

The control unit allows the main functions to be used and the cleaner to be connected to the home Wi-Fi, see "4 Control using the iAquaLink™ app".



3.6 I Starting and stopping a cleaning cycle

To prevent risk of injury or property damage, be sure to adhere to the following:



- Bathing is prohibited while the device is in the pool.
- Do not use the device during a shock chlorination. Wait until the chlorine level has reached the recommended value before immersing the cleaner.
- Do not leave the device unattended for an extended period.
- Do not use the device if the rolling cover is closed.

- When there is power to the control unit, the following symbols light up to indicate:
 - The action in progress
 - The cleaning selected
 - Maintenance required
- The control unit switches to standby after 10 minutes, and the screen switches off. Simply press a button to come out of standby. Standby mode does not stop the device operating if it is in a cleaning cycle.

3.6.1 Choice of cleaning mode

- By default, a pre-configured cleaning mode "**Bottom + sides + water line**"; the symbols are illuminated and the cleaning time is displayed on the screen.
- The cleaning cycle can be modified before the device starts or while it is operating. The new mode will be started immediately and the remaining time from the previous cycle will be zeroed.

Bottom only:

Bottom + sides + water line:

Water line only:

- Press

The cleaner adapts its movement strategy to the cleaning mode, in order to optimise its rate of coverage.



Tip: to improve cleaning performance


At the start of the bathing season, run a few cleaning cycles in bottom only mode (after removing any large debris with a net). Regular use of the cleaner (not more than 3 times a week) will keep your pool permanently clean and the filter less clogged.

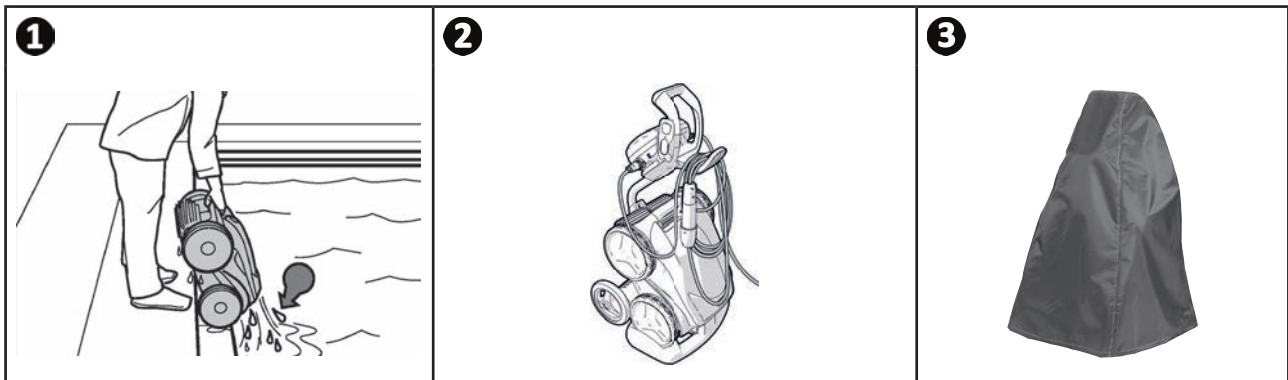
3.6.2 Ending the cleaning cycle

To prevent damaging the equipment:



- Do not pull on the cable to remove the appliance from the pool. Use the handle.
- Do not leave the appliance to dry out in sunlight after use.
- Store all the elements away from sunlight, humidity and bad weather.
- Screw the protective cap back on if you unplug the control box power cord.


- Switch off the device by pressing .
- When the cleaner is within arm's reach, pick it up by the handle and lift it gently out of the pool so that the water it contains drains into the pool (see image **1**).
- Place the cleaner vertically in the location provided on the caddy (depending on the model) for it to dry out quickly (see image **2**).
- Then store it with the control unit away from sunlight and anywhere it might be splashed with water. A protective cover is available as an option (see image **3**).



3.6.3 "Out of water" mode



This function enables the cleaner to be returned to an exact point at the edge of the pool. When it climbs the wall, the cleaner sprays a jet of water behind it to make it lighter when lifted out of the pool.

- Direct the cleaner towards the required pool wall, then make it climb to the water line: keep pressure on it  to tilt it. The cleaner moves towards the wall when you release the button.



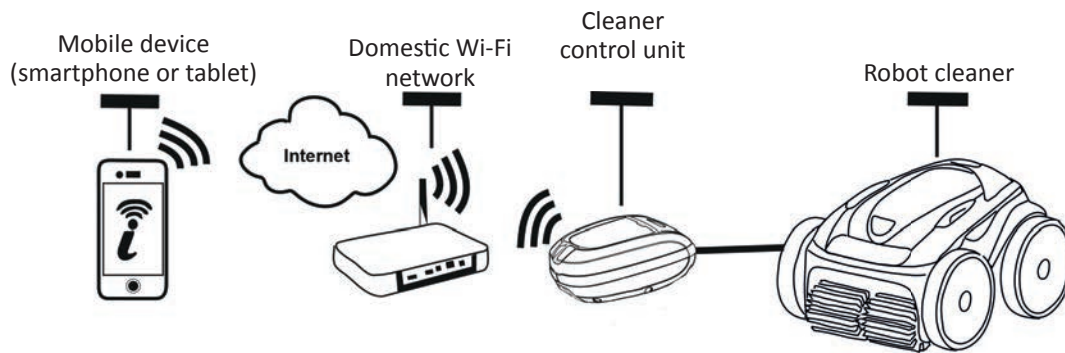
Tip: avoid the floating cable becoming too entangled

The cleaner's behaviour is strongly affected by the cable becoming tangled. A cable which is correctly untangled will ensure better coverage of the pool.

- Untangle the cable and lay it out in the sun so that it returns to its original shape.
- Then roll it up carefully and place it on the caddy handle.



4 Control using the iAquaLink™ app



The iAquaLink™ app is available for iOS and Android systems.

With the iAquaLink™ app you can control the cleaner from any location at any time and have the benefit of advanced functions such as additional programming and troubleshooting assistance.

EN

Before you install the app, you must:




- Connect the control unit to the power,
- Use a smartphone or tablet connected to Wi-Fi,
- Use a smartphone or tablet able to run iOS 8 and above and Android 4.1 and above.
- Use a Wi-Fi network with a reasonably powerful signal when connecting to the cleaner's control unit.
- Have your home Wi-Fi network password at the ready.

4.1 | Connecting to the iAquaLink™ app



- Download the iAquaLink™ app from the App Store or Google Play Store.
- Once installation is complete, click on the iAquaLink™ icon to open the app.
- Click on Sign Up to create a new iAquaLink™ account or log in, if you already have an account.


Enter the required information to set up the account and accept the Terms and Conditions.

4.2 | First-time cleaner configuration

- Add the cleaner by clicking on "+" in the "My systems" screen.
- Select "Robotic Cleaner".
- Select "Wi-Fi Direct" to start set-up or "Invitation code" if another user has sent you an invitation code, then follow the instructions displayed in the app.
- Press the "Wi-Fi Direct" button  on the control unit. *The LED lights up to indicate that the smartphone can now connect to the control box.*



- The "Wi-Fi Direct"  button LED switches off automatically after 3 minutes.
- Press the "Wi-Fi Direct"  button on the control unit once more to activate the signal.

- Continue set-up, following the instructions on your smartphone or tablet.
- Go on Wi-Fi parameters from your phone or tablet, and select "RoboticCleaner-****". (***** is a unique code for the cleaner to which you are in the process of connecting.*)
- Then return to the iAquaLink™ app and click on "Steps 1, 2, 3 complete".
- Once the control unit and the mobile device are communicating, select **the time zone**.
- The select **pool shape**.
- Click on **Next** to find the **home Wi-Fi network** to which the control unit will connect.
- When the Wi-Fi networks are displayed, select the required **home Wi-Fi network**.
- Enter the Wi-Fi password and connect; the Wi-Fi Direct button's LED  on the control box goes out.
- If the app remains frozen on the connection in progress page, you can speed up the connection process by manually disconnecting from the "RoboticCleaner-****" network.
- Connection is complete when the LAN and WEB LEDs on the control box light up.
- Once the connection has completed, the "Add to My Systems" page is displayed on your mobile device. Click on **Add** to finish pairing.



- It can take several minutes to connect.
- If an error message appears or if the connection still isn't made, refer to the table "6.3 Diagnostic du contrôle à distance iAquaLink™".

- It is possible to personalise the cleaner's name, so that it can be found easily in the "My systems" page if there are several devices connected to the iAquaLink™ application.



- Once configured, the cleaner is displayed in "My Systems" when next connecting to the iAquaLink™ app.

- Click on "Next" to identify yourself as the **primary user** or click on "Skip".
- The primary user has access to all the cleaner's functions in the iAquaLink™ app.
- The primary user can invite other users (family members, service company, etc.) and give them access so that they can remotely control the cleaner.

4.3 | iAquaLink™ remote control

4.3.1 Home screen



- The screen graphics may change with regular updates to the app.

4.3.2 Start / Stop cleaning and adjust the cleaning time



- During configuration of the cleaner, choosing the pool shape allows customised cleaning modes to be set up

By default, the cleaning surface is **Floor, Walls and Water Line**.

- Immerse the cleaner in the pool.
- In the app's home screen, press **START**.
- The screen shows the remaining cleaning time in hours and minutes.
- To increase or reduce the cleaning time, press **(+)** or **(-)**. These are 30-minute sequences with a minimum of 30 minutes and a maximum of 3 hours 30 minutes.



- The remaining cleaning time displayed in the app is the same as that displayed on the control unit.

- Press **STOP** to end a cleaning cycle.

4.3.3 Setting up a cleaning mode

- From the app's home screen, select **Cleaning mode** to view the options.
- Select one of the default set-ups: **Quick Clean**, **Deep Clean** or **Water line only**. The mode selected is highlighted.
- In **Customise**, tap the pictograms to select the options. The options selected will be highlighted.
Surfaces: Floor only / Floor, walls and water line / Water line only
Cleaning intensity: Standard / High Intensity
- Press **Save** to save the new parameters or **(X)** to cancel.
- Press **(X)** return to the home screen.




- The new cleaning mode will take effect for the cleaning in progress and all future cycles.
- The cleaning cycle time may vary depending on the parameters selected.

4.3.4 Remote control mode

The cleaner may be controlled, using your smartphone or tablet as a remote control.



- Use the remote control mode only if you have the cleaner within view.

- In the app's home screen, select **Remote control**. The control unit is displayed .
- Control the cleaner using **joystick control** or **motion control**. the mode can be changed at any moment.
- **Joystick Control**: Press the icons to move the cleaner **forward and backward** and to turn **left or right**.
- **Motion Control**: Control the cleaner by tilting the mobile device **up** (backwards movement), **down** (forward movement), **left** (turn left), and **right** (turn right). The first time you use it, motion mode will be automatically calibrated according to the position of your hand. To change it, press the **Re-Calibrate** icon in the top left.
- Press **(X)** to return to the home screen.



- If the cleaner is relatively slow to respond to an action requested in the app, check the Wi-Fi network signal, see "4.2.1 First-time cleaner configuration"

4.3.5 Remove from water mode "Lift System"

The Lift System function was designed to facilitate removing the cleaner from the water. It may be activated at any moment, during or at the end of a cleaning cycle.



- Only activate the Lift System function if the cleaner is in view.

- In the app's home screen, select **Lift System**.
- To guide the cleaner to the desired pool wall, use the **left** or **right** arrow.
- When the cleaner is against the pool wall, press **Lift System**. The cleaner will start to move to the pool wall and raise itself to the water line.



- To stop an action in progress, press **Lift System** again.

- Using the handle, lift the cleaner from the water. At that moment, the cleaner will expel a powerful jet of water. It will then be lighter to lift from the water.
- Remove the cleaner completely from the water.
- Press **(X)** to return to the home screen.



- Don't pull on the floating cable to raise the cleaner and remove it from the pool, use the cleaner's handle.

4.3.6 Programming or cancelling cleaning cycles

Cleaning cycles may be programmed to repeat.



- You are strongly recommended to remove and clean the filter after every cleaning cycle.

- From the app's home screen, select **Next Cleaning Cycle** or go into **Settings** and select **Edit Schedule**.
- Select the **day** of the week. Only one program is possible per day.
- Select a **start time** for the cleaning cycle.



- The time display can be customised from the Settings menu. Simply activate or deactivate the 24h time format; if deactivated, the time will be displayed in a.m./p.m. format.

- Press **Save** to save the programming or **Cancel** to erase it.

Repeat these steps to program other cleaning cycles.



- The cleaning cycle duration may vary depending on the **cleaning parameters** selected in **cleaning mode**, see "4.3.3 Setting up a cleaning mode".


- To delete a programmed cycle, select the **day** programmed and press **Delete Schedule**.
- Press **(X)** to cancel and return to the home screen.


The next cleaning cycle programmed is displayed in the home screen.



- The cleaning cycle that will start during the programme will be the last cleaning cycle selected, see "4.3.3 Setting up a cleaning mode".

4.3.7 Error messages and troubleshooting - in the iAquaLink™ app

If an error is detected, a  warning symbol will be displayed in the home screen.

- Press the  warning symbol to display on-line troubleshooting help, voir "6.2 I Error codes".
- Select **Clear error** if you think you have solved the problem, or select **OK** if you want to leave the cleaner in error mode and troubleshoot the problem later.

4.3.8 Settings

At any moment, it is possible to modify some of the cleaner's configuration settings can be changed at any time by pressing the icon in the top right of the screen.


4.3.9 Use in "Wi-Fi Direct" mode

In **Wi-Fi Direct** mode, the mobile device communicate directly in Wi-Fi with the cleaner's control box, without going to the web.



If necessary, the iAquaLink™ app can be used in **Wi-Fi Direct** mode to access certain functions and benefit from a quicker connection.



- **Wi-Fi Direct switches off after 10 minutes.**
- **The iAquaLink™ can only be used in Wi-Fi Direct mode by one user at a time. in Wi-Fi Direct mode.**

- Go to the menu with three bars and select **My Systems**.
- Press (+), and **Add Robotic Cleaner**.
- Select **Wi-Fi Direct**.
- Press the "**Wi-Fi Direct**"  button on the control unit. *The LED lights up to indicate that the smartphone can now connect to the control box.*



- The "**Wi-Fi Direct**"  button LED switches off automatically after 3 minutes.
- Press the "**Wi-Fi Direct**"  button on the control unit once more to activate the signal.

- Continue set-up, following the instructions on your smartphone or tablet.
- Go on Wi-Fi parameters from your phone or tablet, and select "**RoboticCleaner-*****". (*"***" is a unique code for the cleaner to which you are in the process of connecting*).
- Then return to the iAquaLink™ app and click on "**Steps 1,2,3 complete**".
- Once the control unit and the mobile device are communicating, press **Skip** The home screen will be displayed



- Any cleaner user can be identified as a primary user via the menu **Settings**.



5 Maintenance

- The device must be cleaned regularly using clean or slightly soapy water. Do not use solvents.
- Rinse the device generously using clean water.
- Do not let your device dry in the sun by the pool.



Tip: replace the filter and the brushes every two years

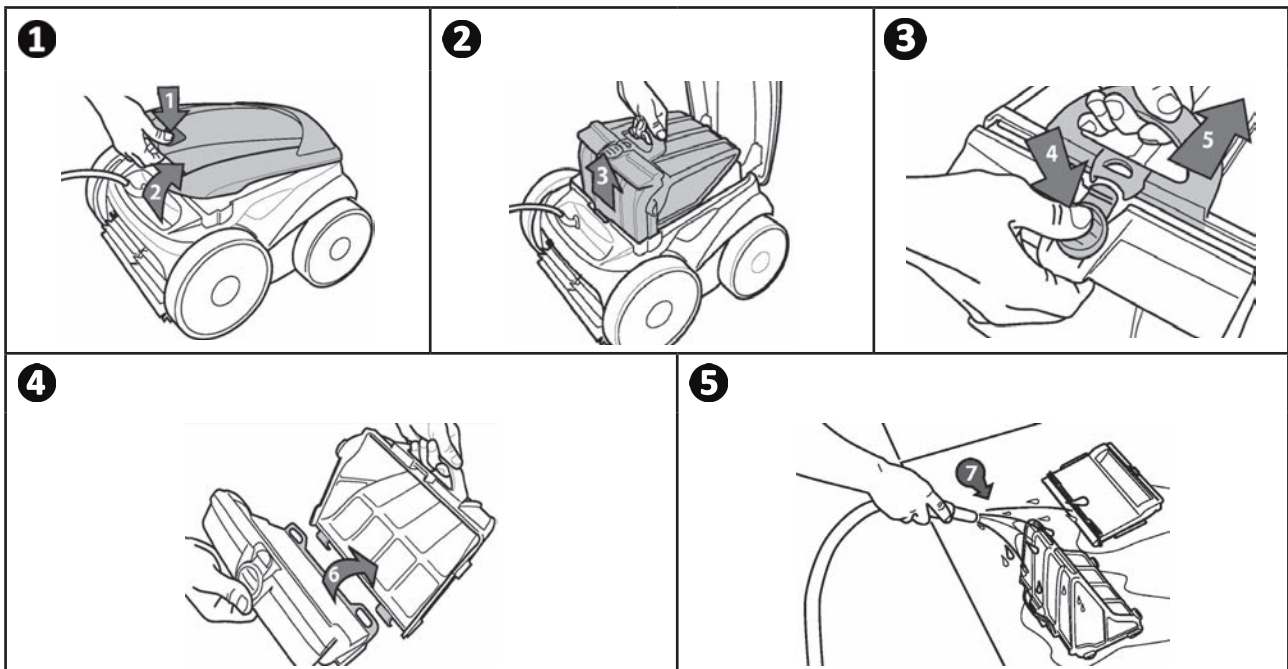
It is recommended that you change the filter and the brushes every 2 years to preserve the integrity of the device and guarantee optimum performance.

5.1 I Cleaning the filter



- The cleaner's performance may be reduced if the filter is full or dirty.
- Clean the filter with clean water after each cleaning cycle.

- If the filter is blocked, clean it with an acid solution (white vinegar, for example). It is recommended that you do this at least once a year, since the filter will clog if not used for several months (winter period).



Tip: Check the status of the "filter cleaning" indicator 

When the LED illuminates, it is strongly recommended that you clean the filter.

5.2 I Cleaning the propeller

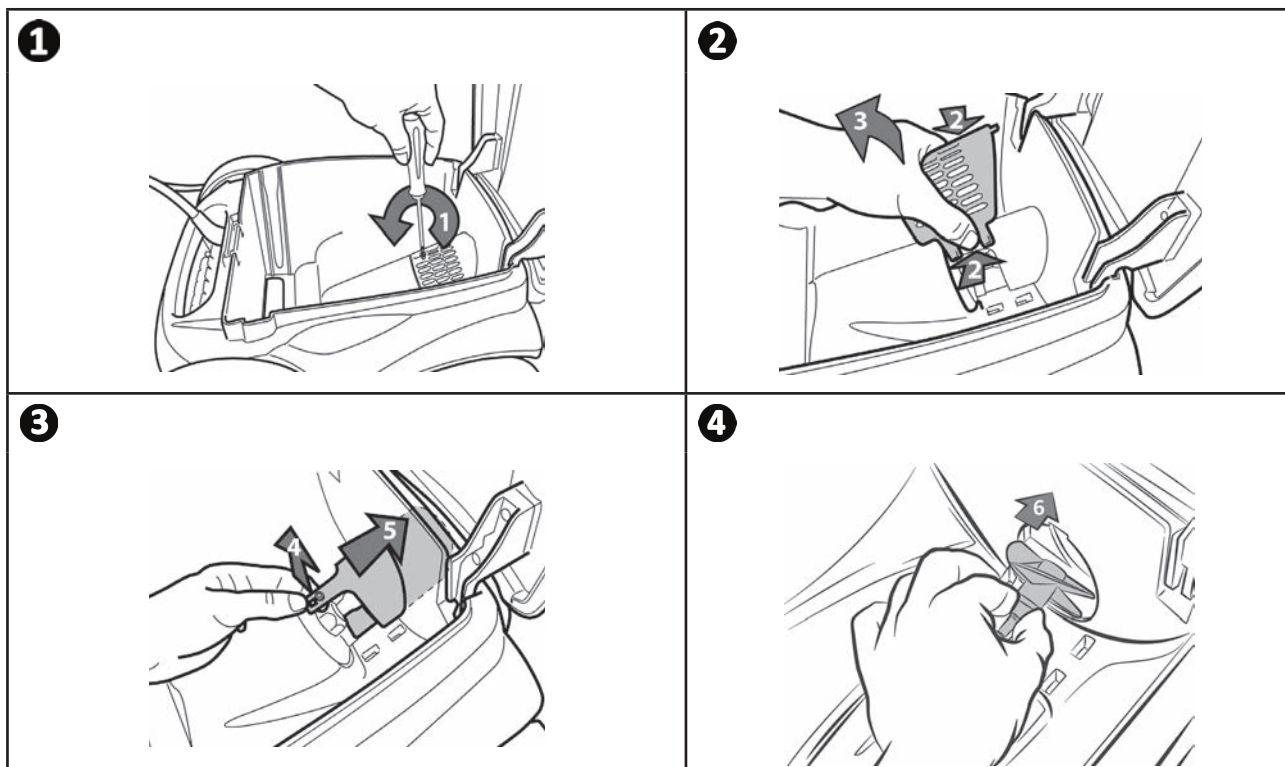
To avoid serious injury:



- Disconnect the cleaner from the power.
- You must wear gloves when doing maintenance on the propeller



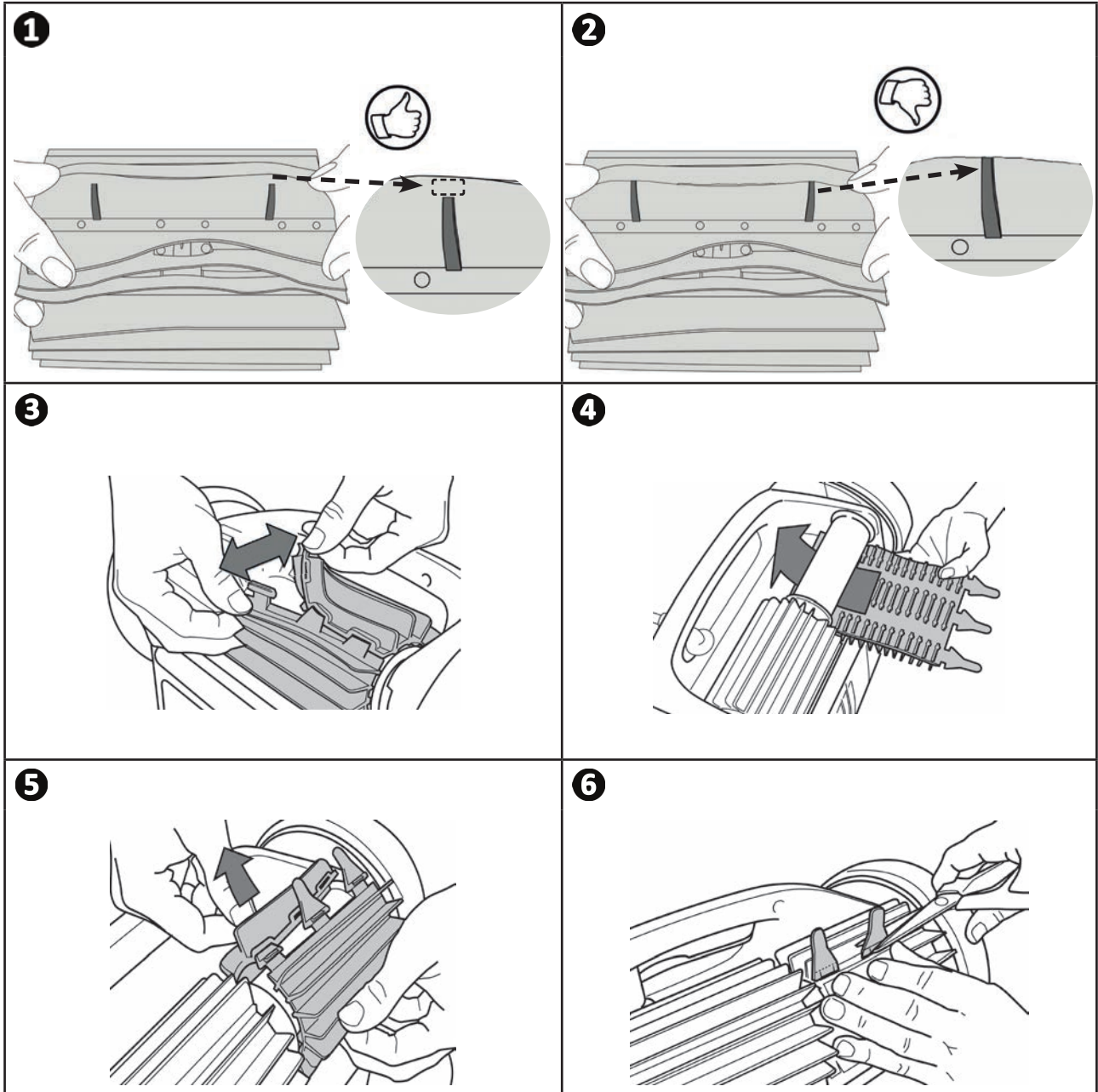
- Loosen the screw on the grille (see image **1**).
- Remove the grille (see image **2**).
- Remove the flow guide carefully (see image **3**).
- To remove the propeller, wear gloves and hold the end of the propeller carefully when pushing it (see image **4**).
- Remove all debris (hair, leaves, stones, etc.) which may be blocking the propeller.



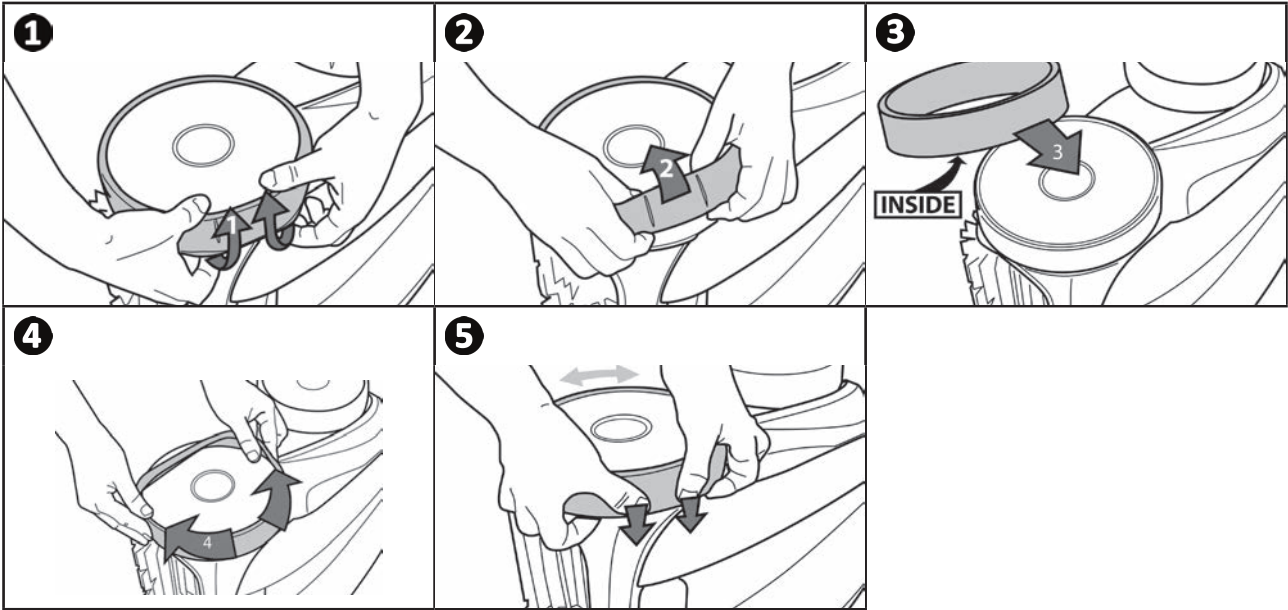
EN

➤ 5.3 I Replacing the brushes

- Each brush is equipped with wear indicators; the distance between the indicators and the end of the brush indicates whether the brush is in good condition (see image **1**).
- The brushes are worn and should be replaced when the wear indicators appear as shown in image **2**.
- To remove worn brushes, remove the tabs from the holes in which they are fixed (see image **3**).
- To fit new brushes, start by fitting the side without tabs under the brush holder (see image **4**).
- Roll the brush around its support, slide the tabs into the attachment holes and pull on the end of each tab until its edge passes through the slit (see image **5**).
- Cut the tabs using a pair of scissors for them to be level with the other blades (see image **6**).




➤ 5.4 | Changing the tyres






6 Troubleshooting



- Before you contact your retailer, we invite you to carry out some simple checks for yourself in the event of a malfunction, using the following tables.
- If the problem continues contact your retailer.
-  : Actions reserved for a qualified technician.

6.1 I Appliance behaviour

Part of the pool is not correctly cleaned.	<ul style="list-style-type: none"> • Repeat the immersion steps (see "3.3 I Immersing the cleaner") varying the immersion location until you find the right place in the pool.
The appliance does not stay firmly on the pool bottom	<ul style="list-style-type: none"> • There is still air in the appliance's casing. Repeat the immersion steps (see "3.3 I Immersing the cleaner"). • The filter is full or dirty: clean it. • The filter is clogged: change it. • The propeller is damaged: 
The appliance does not or no longer climbs the pool sides as it originally did.	<ul style="list-style-type: none"> • The filter is full or dirty: clean it. • The filter is clogged: change it. • The tyres are worn: replace them. • Even though the water seems clear, microscopic algae are present in your pool; they are not visible to the naked eye but they make the sides slippery and prevent the device from climbing. Carry out shock chlorination and reduce the pH slightly. Do not leave the appliance in the water during shock treatment.
The appliance does not perform any movements on start-up.	<ul style="list-style-type: none"> • Check that the control unit's power socket is receiving a power supply. • Check that a cleaning cycle has been launched and that the lights are on.
The cable is tangled.	<ul style="list-style-type: none"> • Do not unroll the entire length of cable in the pool. • Place the required length of cable in the pool and spread the rest along the side of the pool.
The control unit does not respond to any button presses.	<ul style="list-style-type: none"> • Unplug the cable from the mains socket, wait 10 seconds and plug it back in again.

If the problem persists, contact your retailer: 

6.2 I Error codes

Control Unit Display	In-App Display	Suggested Solution
Er : 01	Pump Motor	<ul style="list-style-type: none"> • Check for any small debris or cable impeding the brushes from turning freely. • Check for corrosion or bent pins in the power cable connection area. • Turn each wheel one quarter turn in one direction repeatedly until rotation is smooth. • Repeat, turning wheels in the opposite direction until rotation is smooth. • If this does not solve your problem, please contact your local retailer for a diagnostic review or call customer service.
Er : 02	Traction Motor Right	
Er : 03	Traction Motor Left	
Er : 04	Pump Motor Consumption	<ul style="list-style-type: none"> • Check for small debris or hair in fan impeller. • Thoroughly clean filter canister. • If this does not solve your problem, please contact your local retailer for a diagnostic review or call customer service.
Er : 05	Drive Motor Consumption Right	<ul style="list-style-type: none"> • Check for any small debris or cable impeding the brushes from turning freely. • Check for corrosion or bent pins in the power cable connection area. • Turn each wheel one quarter turn in one direction repeatedly until rotation is smooth. • Repeat, turning wheels in the opposite direction until rotation is smooth. • If this does not solve your problem, please contact your local retailer for a diagnostic review or call customer service.
Er : 06	Drive Motor Consumption Left	
Er : 07	Cleaner Out of the Water	<ul style="list-style-type: none"> • Turn off the cleaner and submerge. • Thoroughly clean the filter canister. • Shake to release air bubbles. • Restart cycle. • If this does not solve your problem, please contact your local retailer for a diagnostic review or call customer service.
Er : 08		
N/A	N/A	<ul style="list-style-type: none"> • "The cleaner did not finish its cycle correctly." • Restart a cleaning cycle"
Er : 10	Communication	<ul style="list-style-type: none"> • Turn cleaner power off and on again to reset. • Check floating cable connection to control box. • Check for corrosion or bent pins at connection point. • If this does not solve your problem, please contact your local retailer for a diagnostic review or call customer service.
N/A	Connection Error	<ul style="list-style-type: none"> • Check the status of the LAN/WEB LEDs on the control box and follow the steps described in the table "6.3 I Troubleshooting the connection to the iAquaLink™ app".
N/A	A red dot appears in the "My appliances" list	<ul style="list-style-type: none"> • "Appliance not plugged in or not connected to the home Wi-Fi network. If the dot is red when the control box is plugged in and if the LAN and WEB icons are lit up, refresh the screen (by swiping downwards). • If the dot turns green: the appliance is ready for use."

If the problem persists, contact your retailer: 

Dismissing an Error Code

From the Control Unit:

- After you have completed the troubleshooting solution steps, press any key (except the phone icon) to clear the error code.
- If the control unit is in Standby Mode, press the Start/Stop button to show the on-screen display. After you have completed the troubleshooting solution steps, press any key (except the phone icon) to clear the error code.

From the iAquaLink™ App:

- Press the error icon to display troubleshooting solutions. After you have completed the troubleshooting solution steps, press **Clear Error** to return to normal operation. Or, press **OK** if you need to complete the solution steps at a later time.

6.3 I Troubleshooting the connection to the iAquaLink™ app

- Before you connect to a new Wi-Fi network, re-initialise the parameters of your current Wi-Fi network or simply change the Wi-Fi password. You will have to re-make the connection between the control unit and the new Wi-Fi network, see "4.2 I First-time cleaner configuration".

Control unit status	Possible causes	Solutions
<ul style="list-style-type: none"> • All LEDs are off 	<ul style="list-style-type: none"> • Bright sunlight 	<ul style="list-style-type: none"> • Shield the lights to block sunlight and check again whether the lights are lit.
	<ul style="list-style-type: none"> • Control unit disconnected 	<ul style="list-style-type: none"> • Connect the control unit (see "3.4 I Electrical supply connections").
	<ul style="list-style-type: none"> • Power cut 	<ul style="list-style-type: none"> • Check that there is power to the circuit breaker. • Check that there is power to the socket by connecting another device to it.
	<ul style="list-style-type: none"> • Internet connection lost 	<ul style="list-style-type: none"> • Check the internet connection - Network may be down.
<ul style="list-style-type: none"> • LAN / WEB LEDs are off • LAN / WEB LEDs are on but the Wi-Fi network is non-existent (or spotty). The "Connection Error" message is displayed on the screen in the iAquaLink™ app. 	<ul style="list-style-type: none"> • Internet connection lost • Weak Wi-Fi signal* • The control unit is too far from the home Wi-Fi network 	<ul style="list-style-type: none"> • Check the internet connection - Network may be low. • Ensure that you have a sufficiently strong Wi-Fi signal. There are several ways to check the strength of the Wi-Fi signal: <ul style="list-style-type: none"> - Unplug the home Wi-Fi router, then plug it back in. - Using a portable computer, go into Configuration Panel to see the state of your network connections. Check the strength of the wireless network Wi-Fi signal on the portable computer while looking at the control unit. - Install the iAquaLink™ app, using a smartphone or tablet. Check the strength of the wireless network Wi-Fi signal on the mobile device while looking at the control unit. If the Wi-Fi network is weak, install a Wi-Fi extender. Utiliser une application dédiée à l'analyse Wi-Fi : il en existe plusieurs dans iOS ou Android. • On first set-up, Move the control unit closer to the home Wi-Fi router. Do not use an extension lead (see "3.4 I Electrical supply connections"), then repeat the configuration steps (see "4.2 I First-time cleaner configuration") : <ul style="list-style-type: none"> - Once the LAN/WEB LEDs light up, plug in the control box near the pool. - If the LAN/WEB LEDs do not light up, plug in the control box again as close to the house as possible. - If the LAN/WEB LEDs still do not light up, install a Wi-Fi extender.
<ul style="list-style-type: none"> • LAN/WEB LEDs are on but the connection is unsuccessful. 	<ul style="list-style-type: none"> • The smartphone may not have properly disconnected from the "RoboticCleaner-***" Wi-Fi in order to reconnect to the home Wi-Fi or to the 3G or 4G network. 	<ul style="list-style-type: none"> • If the smartphone is still connected to the "RoboticCleaner-***" Wi-Fi, manually disconnect the "RoboticCleaner-***" Wi-Fi. • Then, if connection is not made automatically, manually connect the smartphone to the home Wi-Fi or 3G or 4G network.

Control unit status	Possible causes	Solutions
<ul style="list-style-type: none"> • Only one LED is on: LAN or WEB. 	<ul style="list-style-type: none"> • Connection problem with the Local Wi-Fi network or connection to the server. 	Contact your Internet service provider. <ul style="list-style-type: none"> • Disconnect the home Wi-Fi network for 10 seconds. Re-connect it and see whether the LEDs come back on. • Check the internet connection - Network may be down.
<ul style="list-style-type: none"> • The LAN/WEB LEDs are flashing. 	<ul style="list-style-type: none"> • A software update is in progress. 	<ul style="list-style-type: none"> • The LEDs may flash for 10 minutes until the update is complete.



***A weak Wi-Fi signal can occur for several reasons:**

- The distance between the router and the control box of the cleaner,
- The type of router,
- The number of walls separating the router and the control box of the cleaner,
- The internet access provider,
- etc.



Votre revendeur
Your retailer

Modèle appareil
Appliance model

Numéro de série
Serial number

Trouvez plus d'informations et enregistrez votre produit sur
More informations and register you product on

www.zodiac.com



Zodiac Pool Care Europe - Boulevard de la Romanerie - BP 90023 - 49180 St Barthélémy d'Anjou cedex - S.A.S.U. au capital de 1 267 140 € / SIREN 395 068 679 / RCS PARIS

