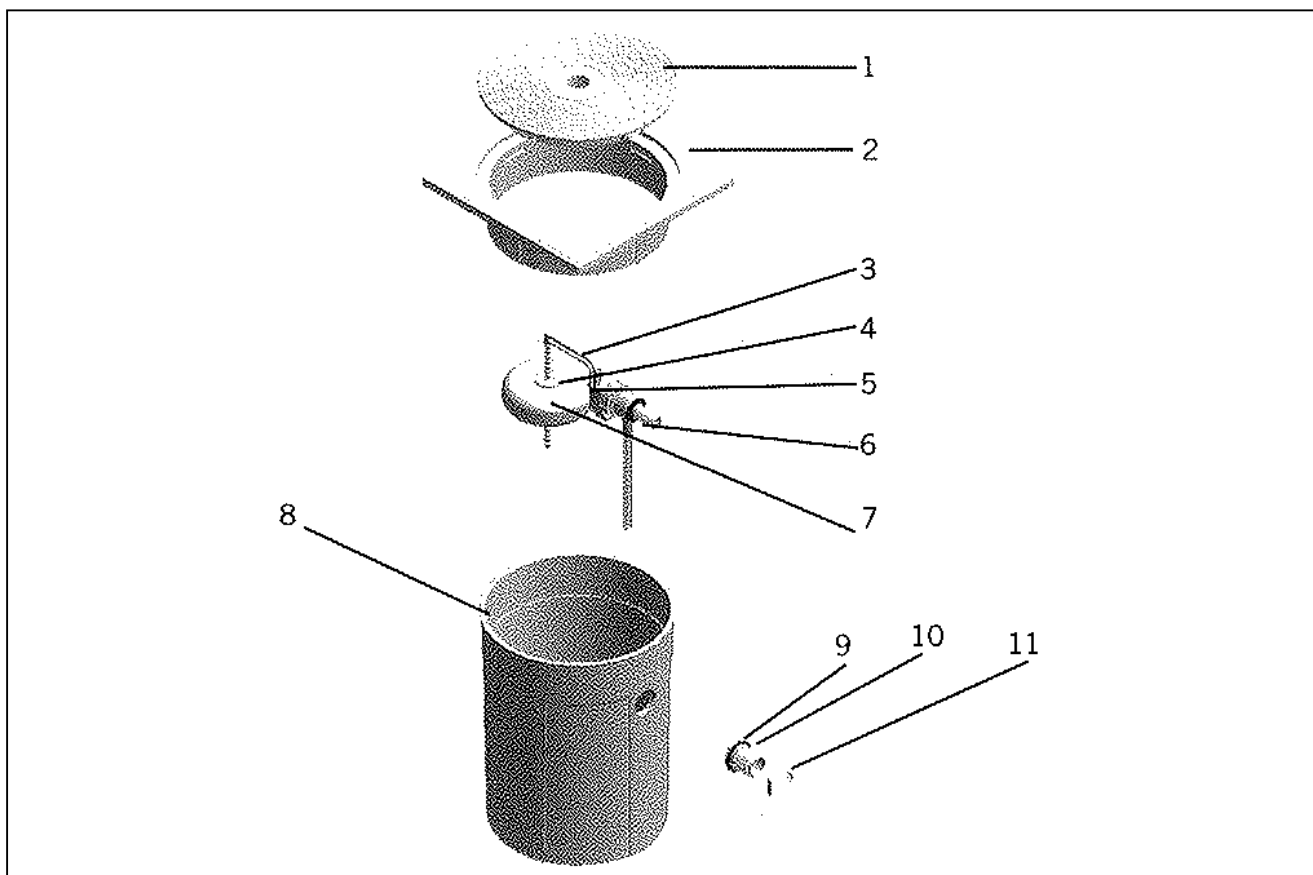


## 2015862 Hlídání hladiny IML



<i>detail</i>	<i>identifikace</i>	<i>popis</i>
1	I00249R0007	X Circular lid
2	I15862R0002	X Lid support
3	I15862R0102	X Float support
4	I15862R0103	X Float retainer
5	I15862R0104	X Screws
6	I15862R0004	X Valve assembly
7	I15862R0101	X Float
8	I15862R0001	X Body
9	I15862R0203	X Flat gasket
10	I15862R0201	X Raccord
11	I15862R0202	X Nut