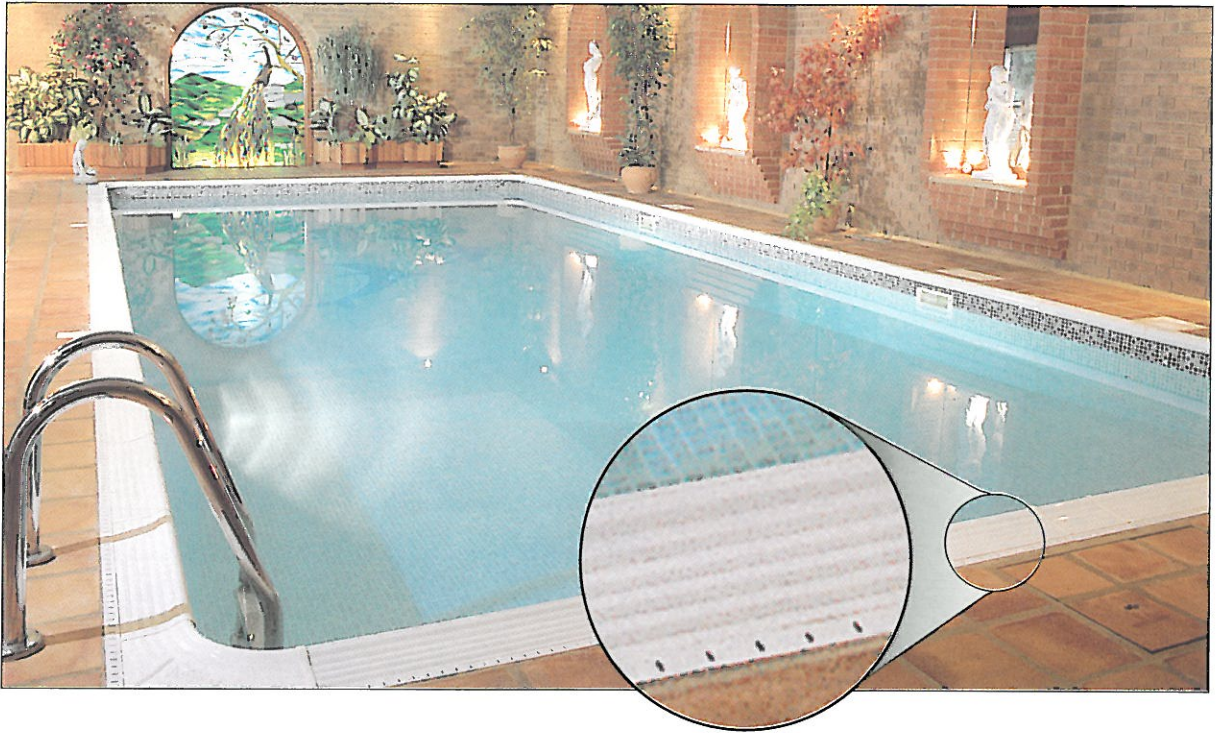
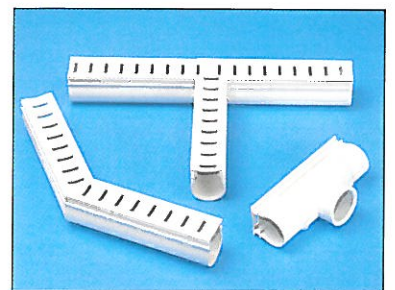
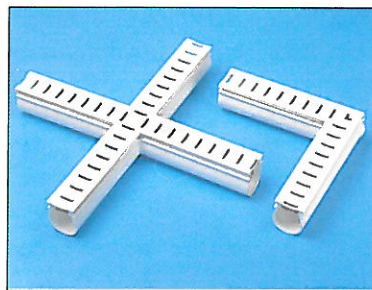
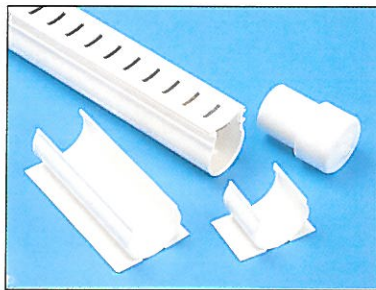




# EASY DRAIN PLUS



www.plasticapools.com

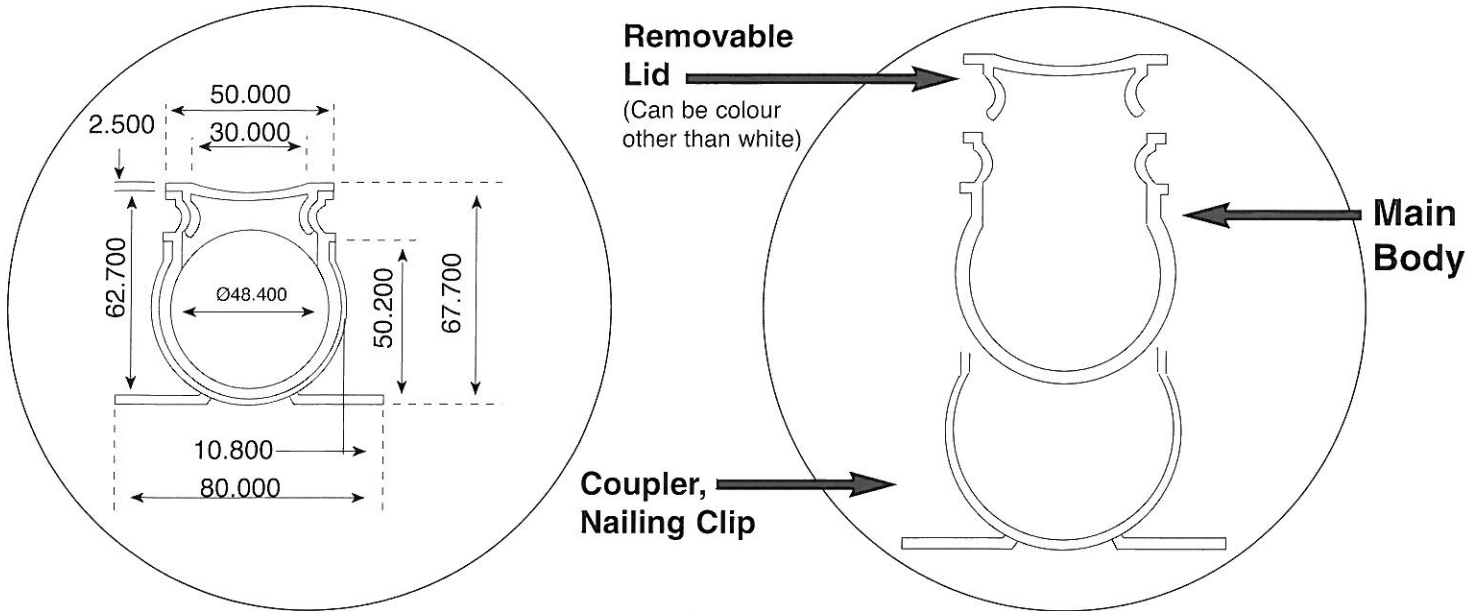


- ✓ **ACCEPTS 1.5" OR 50mm PIPEWORK**
- ✓ **MADE FROM RIGID PVC**
- ✓ **REMOVABLE TOP SECTION FOR EASY ACCESS AND CLEANING**
- ✓ **HEIGHT - 67.7MM TO MATCH MOST LEVELS OF COPING & PAVING**
- ✓ **LID AVAILABLE IN WHITE & BUFF**

Your Local Stockist:

Plastica

# TECHNICAL DATA



**Easy Drain Plus** is an effective way of draining excess water from around swimming pools, spas and shower areas. It's modular sections make it relatively easy to install and with it's removable lid cleaning is a simple task. Manufactured in white PVC as standard, the lid section can also be supplied in a buff colour (ex-stock). Other colours can be manufactured to customers requirements but a minimum run would be 300 x 3m lengths.

## PARTS AVAILABLE

<b>PED100</b>	<b>Easy Drain Plus</b>	3m Lengths
<b>PED105</b>	<b>Easy Drain Plus</b>	Couplers
<b>PED110</b>	<b>Easy Drain Plus</b>	End Caps
<b>PED115</b>	<b>Easy Drain Plus</b>	135° Angle
<b>PED120</b>	<b>Easy Drain Plus</b>	90° Angle
<b>PED125</b>	<b>Easy Drain Plus</b>	Tee Piece
<b>PED130</b>	<b>Easy Drain Plus</b>	Cross Piece
<b>PED135</b>	<b>Easy Drain Plus</b>	Down Spout
<b>PED145</b>	<b>Easy Drain Plus</b>	Nailing Clip (3 per 3m length recommended)

**Please Note:** Plastica Easy Drain is not designed for use as an overflow channel on deck level pools.

