



## Jet Swim

Jet Swim is the perfect accessory for exercise, fitness and fun. With a Jet Swim installed in the pool the training effect is that of a much larger pool. By swimming "on the spot" in the pool you can train and practise your swimming technique at the same time building up your strength and endurance.

Jet Swim also functions as a massage and rehabilitating muscle trainer. Of course, the children also love to bathe in the invigorating, bubbling current of water which can be varied in strength.



## Jet Swim 1200

- Jet Swim housing made of bronze and front of polished acid-proof stainless steel AISI 316 for mounting in concrete, wood or building block walls
- Bronze pump with 2,2kW motor
- Control box including contactor and overload protection
- Air mixture control
- Air mixture hose
- Hose connectors
- Hose clamps
- Hoses for suction and pressure
- Valves



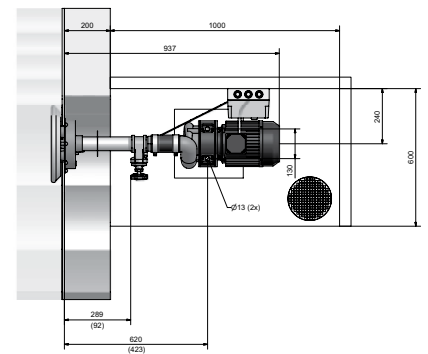
### Item no.

1301200	Jet Swim unit 1200
1301210	Jet Swim assembly kit 1200 for liner pool
1301220	Jet Swim assembly kit 1200 for concrete liner pool
1301230	Jet Swim assembly kit 1200 for concrete pool
1301280	Jet Swim pump, 2,2kW
1301290	Control box Jet Swim 2,2kW

Complete Jet Swim consists of Jet unit, assembly kit, pump and control box.

### Technical data

Model.....	1200
Motor, kW.....	2,2
Voltage, V.....	230/400
Current, A.....	4,8
Capacity, l/min.....	900
Pipe connection.....	2"
Material.....	bronze/stainless steel



## Jet Swim 2000

- Jet Swim housing made of bronze. Front and handle made of polished acid-proof stainless steel AISI 316. For mounting in concrete, wood or building block walls
- Bronze pump with 4,0kW motor
- Control box including contactor and overload protection
- Air mixture control
- Air mixture hose
- Hose connectors
- Hose clamps
- Hoses for suction and pressure
- Valves



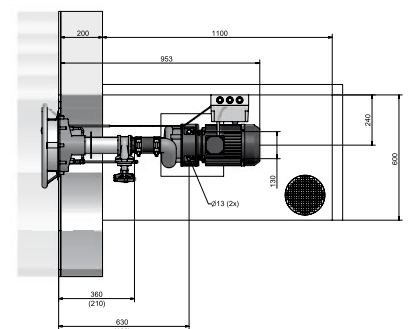
### Item no

1302000	Jet Swim unit 2000
1302010	Jet Swim assembly kit 2000 for liner pool
1302020	Jet Swim assembly kit 2000 for concrete liner pool
1302030	Jet Swim assembly kit 2000 for concrete pool
1302080	Jet Swim pump, 4,0kW
1302090	Control box Jet Swim 4,0kW

Complete Jet Swim consists of Jet unit, assembly kit, pump and control box.

### Technical data

Model.....	2000
Motor, kW.....	4,0
Voltage, V.....	230/400
Current, A.....	8,3
Capacity, l/min.....	1300
Pipe connection.....	2½"
Material.....	bronze/stainless steel





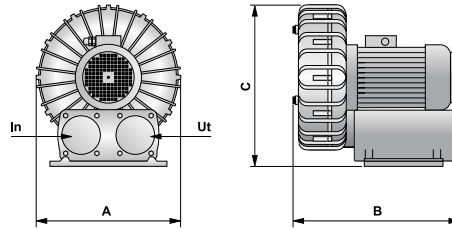
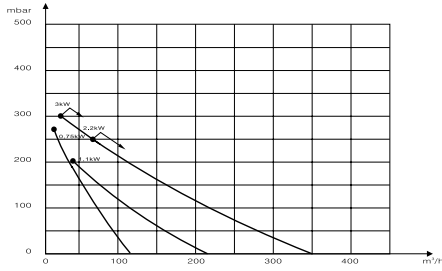
# Massage equipment

Direct driven side channel blower for air massage in spa pools and swimming pools. The fan may be operated from the pool side either pneumatically or by a low voltage controller. It can be mounted either vertically or horizontally. Pipe connections are made via an air loop 50cm over the water level. The fan housing, fan wheel and side channel are in cast aluminium. A filter and silencer are available as accessories.



## Accessories

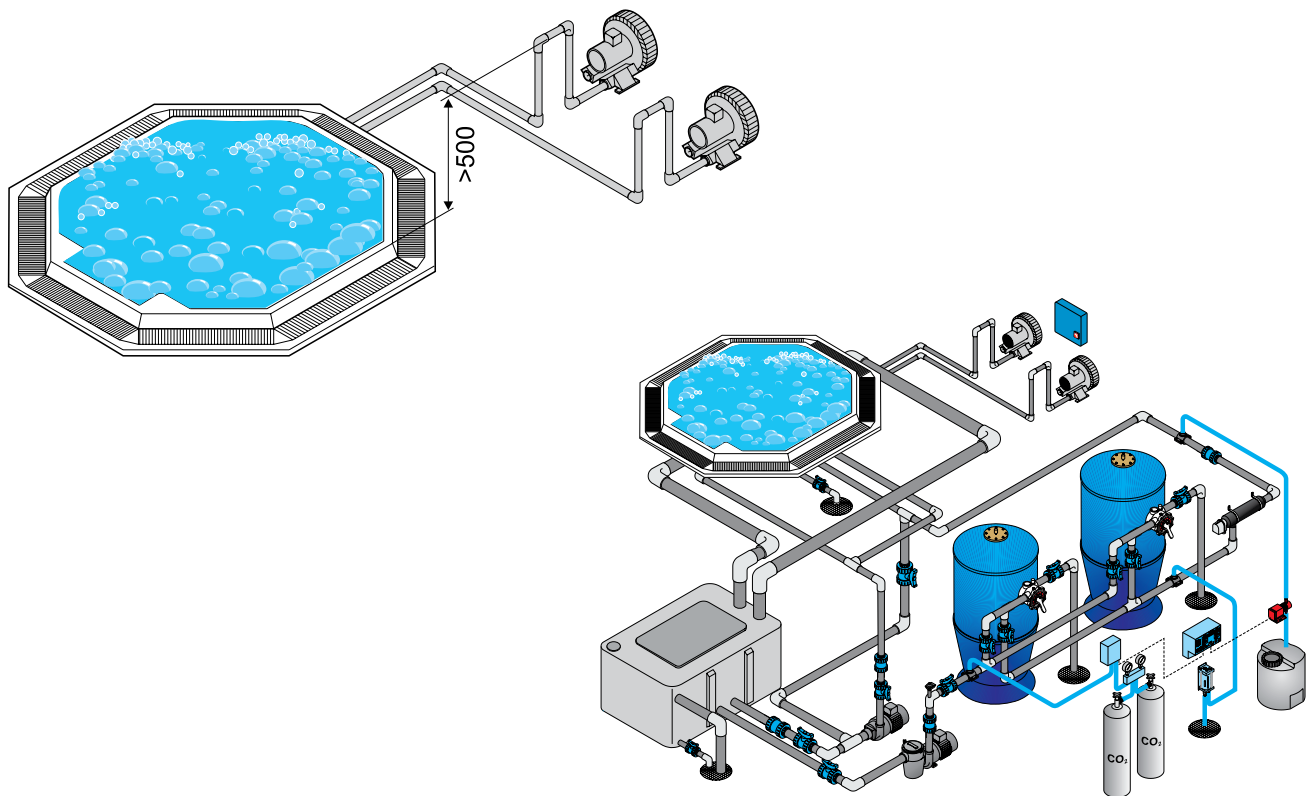
- 81210.....Filter incl. silencer (0,75-1,1 kW)
- 81213.....Filter incl. silencer (2,2-3,0 kW)
- 81211.....Silencer (0,75-1,1 kW)
- 81212.....Silencer (2,2-3,0 kW)



## Technical data

Item no.	Type	Capacity kW	Voltage V	Current A	Sound dB	Pipe connection	Weight kg	Dimensions		
								A (mm)	B (mm)	C (mm)
81200	SC10	0,75	230/400	3,3/1,9	73	1½"	18,5	296	330	340
81201	SC20	1,1	230/400	4,3/2,5	75	1½"	22	360	360	400
81202	SC30	2,2	230/400	8,0/4,6	78	2"	36	395	445	450
81203	SC30	3,0	230/400	11,3/6,5	81	2"	40	395	445	450

# Installation exemple





Pahléns Fabriker AB  
Box 728, Älvhagsvägen 11, SE-194 27 Upplands Väsby  
Tel: +46 8 594 110 50, Fax: +46 8 590 868 80  
E-mail: [info@pahlen.se](mailto:info@pahlen.se), [www.pahlen.com](http://www.pahlen.com)