



Applications

Kontrol 40 with Free Chlorine Copper/ Platinum Amperometric Cell

Complete panel station with Electronic Controller and hydraulic connections.
PVC Panel size: 700x420x10 mm.

Transparent Hydraulic probe-holder
with ZiF connection (zero input force).

Features:

- Inlet and Outlet tubes= 8x12 mm
- Maximum Pressure = 3 bar
- Maximum Temperature = 45 °C



Kontrol 40 Control instrument gives a reply to Market's demand of compact easy setting device. Thanks to Alphanumeric display (2 lines and 16 letters) inside it is possible to look at all measure, as following list:

- Chlorine measurement: range 0.01÷5.00 ppm **via Copper/ Platinum Amperometric Probe**
- Temperature measurement: range 0.1÷100.0 °C **via Pt 100 Probe**

Kontrol 40 instrument:

- Fast and user-friendly calibration
- Simple setup of all measuring parameters and setpoints



Controller Unit outputs:

- Two Relays dry contact
- One mA output current 4÷20 mA with galvanic insulation.

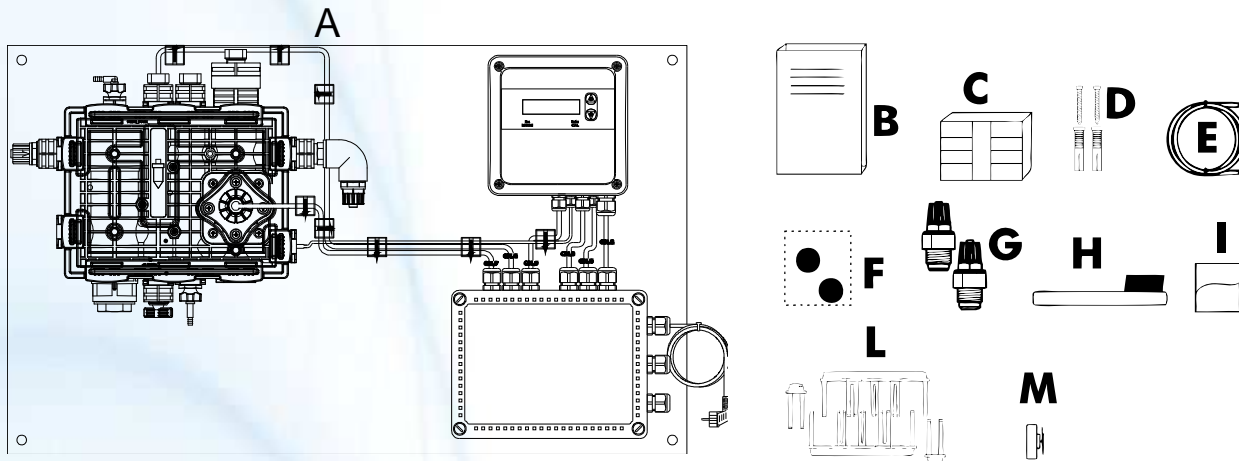
Mechanical Features:

- IP65 Casing
- Removable wire connector and large terminal block area

Sensors

Temperature Probe	Copper/ Platinum Amperometric Chlorine probe
	
Optional, on demand.	

Resume Offer List



Letter	Item
A	Panel
B	Manual
C	DPD Chlorine Kit
D	Metal anchors
E	Hose 8x12 mm
F	Circular caps
G	Pipe holder 8x12
H	Brush
I	Glass bead kit
L	Fork kit
M	Amperometric Chlorine probe
CODE	KPW04AM00000