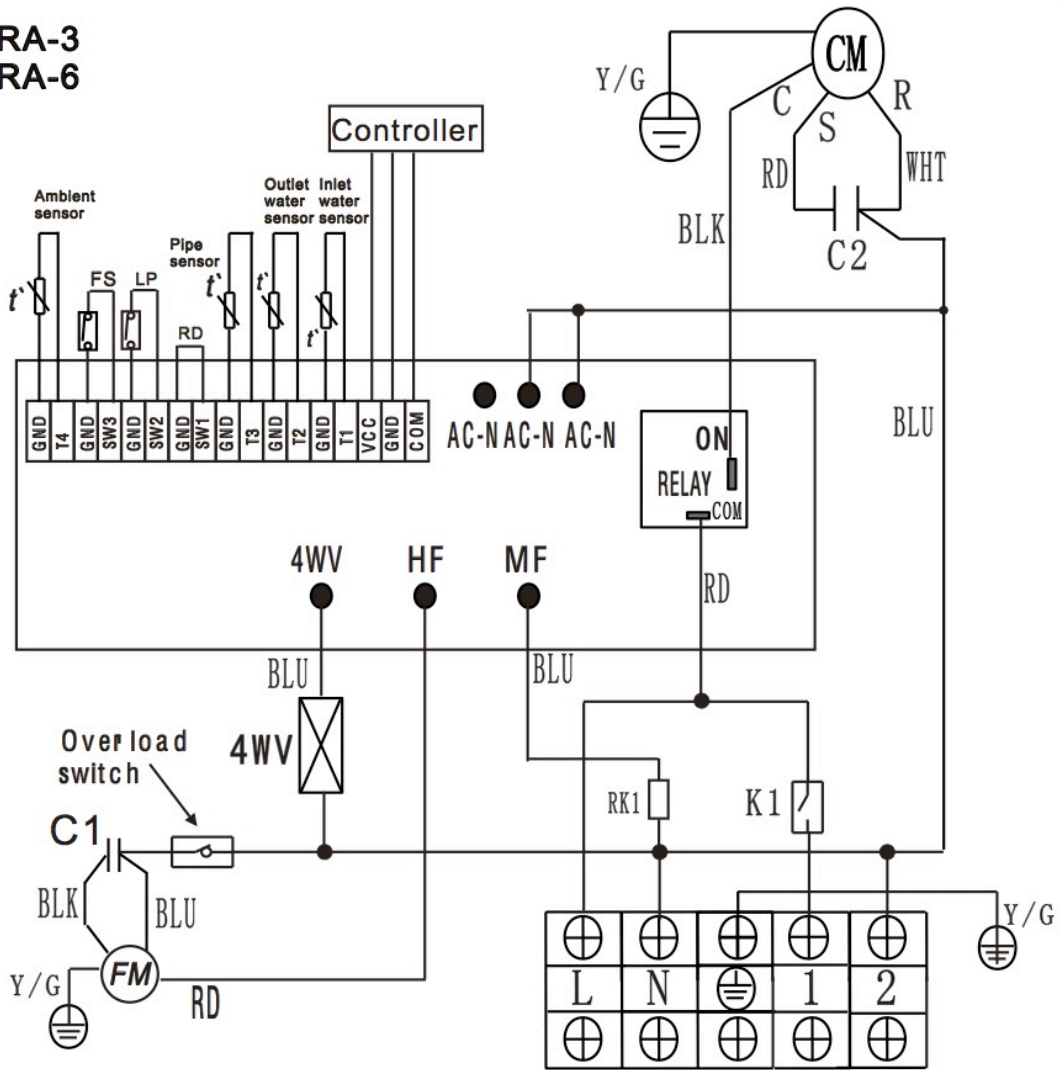


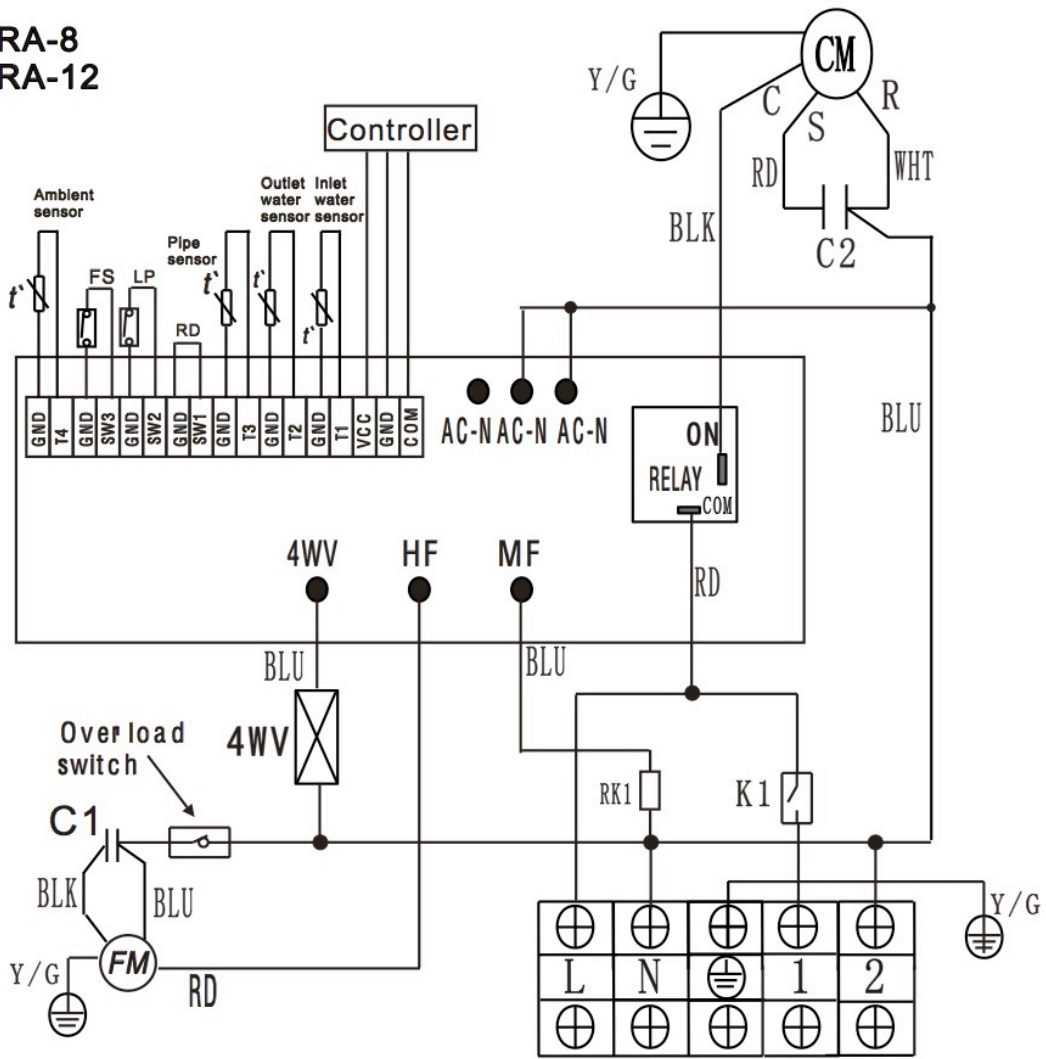
**DURA-3
DURA-6**



FS :water flow switch
 LP :low pressure protect
 RK1:Relay coil of pump

TO POWER 220 ~ 240V/1/50Hz TO PUMP 220 ~ 240V/1/50Hz

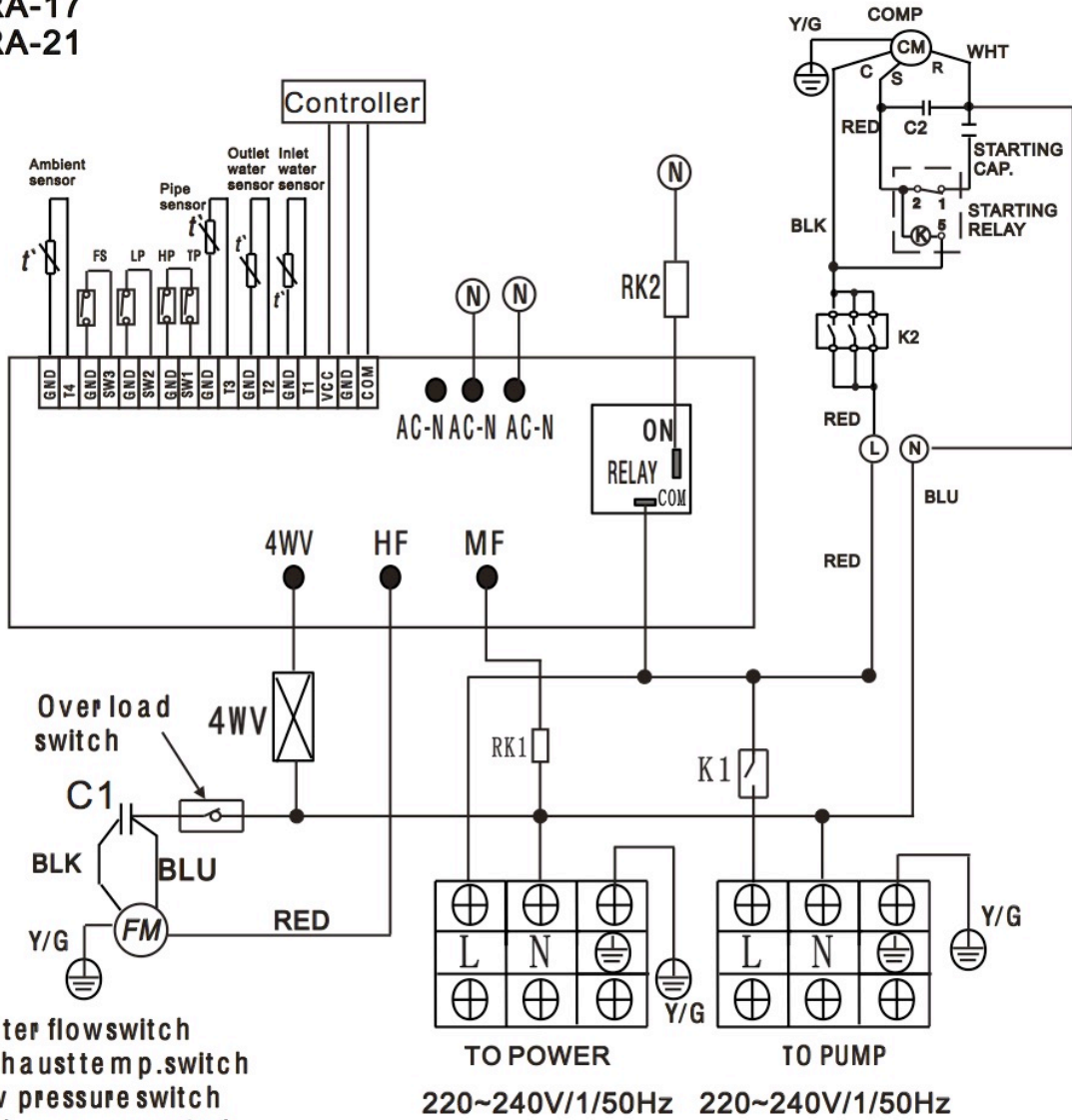
**DURA-8
DURA-12**



FS :water flow switch
 LP :low pressure protect
 RK1:Relay coil of pump

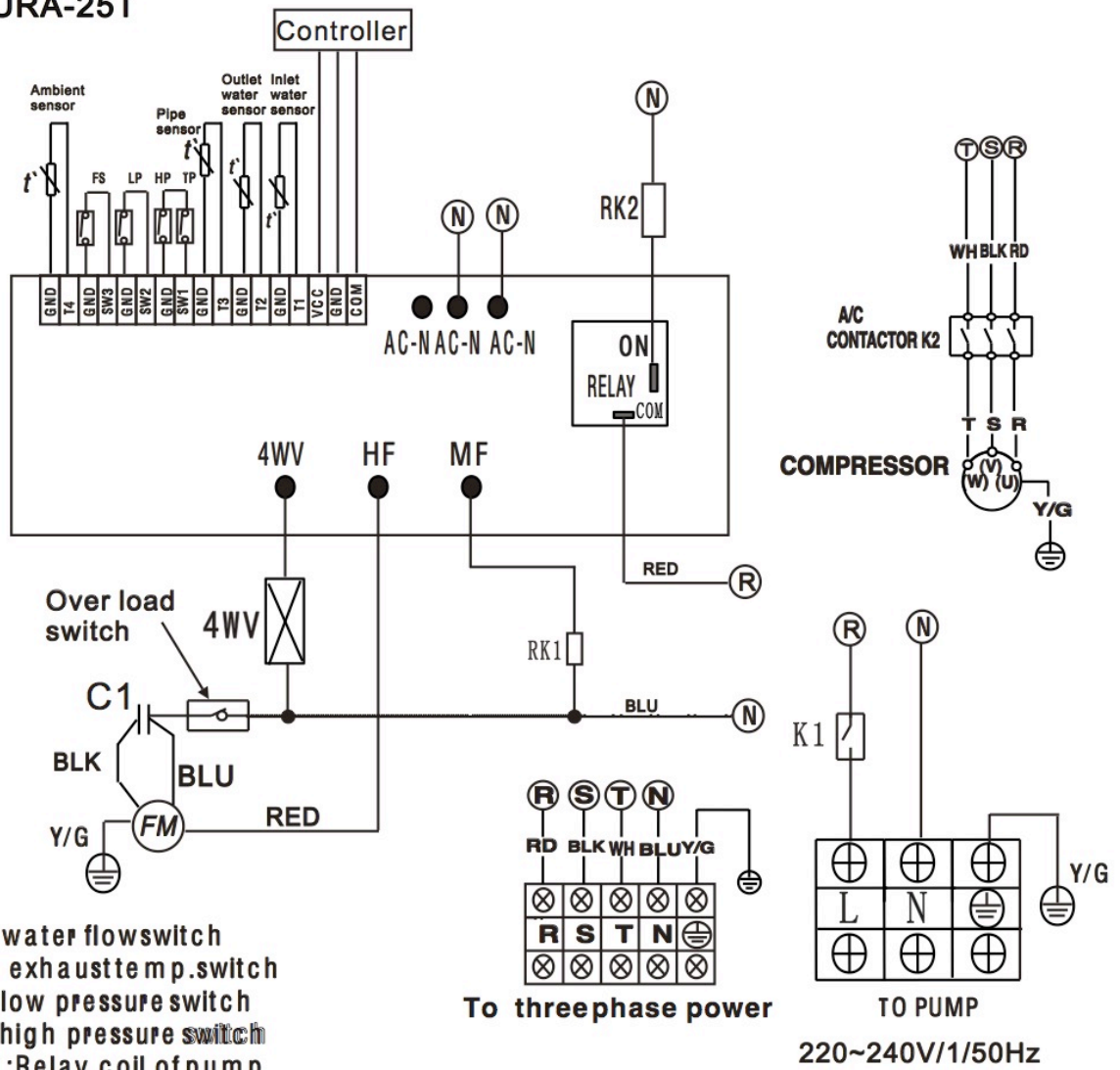
TO POWER 220 ~ 240V/1/50Hz TO PUMP 220 ~ 240V/1/50Hz

**DURA-17
DURA-21**



- FS : water flowswitch
- TP : exhaust temp. switch
- LP : low pressure switch
- HP : high pressure switch
- RK1 : Relay coil of pump
- RK2 : AC contactor coil of compressor

DURA-21T DURA-25T



- FS :water flowswitch
- TP : exhaust temp. switch
- LP :low pressure switch
- HP:high pressure switch
- RK1:Relay coil of pump
- RK2:AC contactor coil of compressor