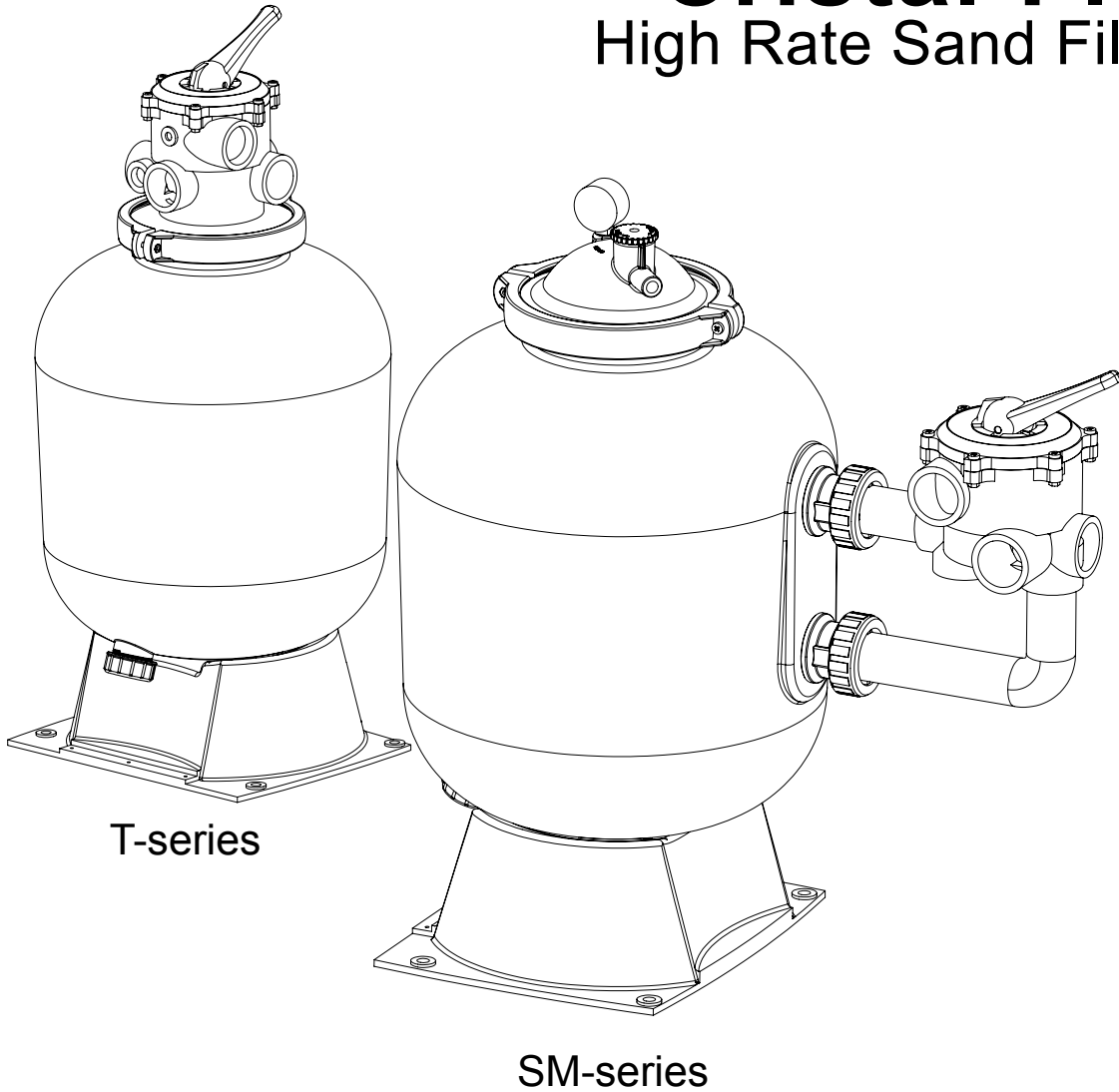


STA-RITE™



Installation and User's Guide

Cristal-Flo™ High Rate Sand Filters



T-series

SM-series

Pentair Water Belgium bvba
Industriepark Wolfstee
Toekomstlaan 30
B-2200 Herentals - Belgium
+32 (0) 14.25.99.11
www.pentairpooleurope.com

English 2

Deutsch 7

Nederlands 13

Français 19

Español 26

Italiano 33

Contents

Important Safety Precautions	2
Section 1: General Information	3
Section 2: Installation	3
Filter Mount/Piping	3
Filter Set-up	3
<i>for Top Mount versions (T-series)</i>	3
<i>for Side Mount versions (SM-series)</i>	4
Startup/Operation	5
The function scheme of the 6-way valve	5
Section 3: Maintenance	5
Water Maintenance	6
Storage/Winterizing	6
Section 4: Troubleshooting Guide	6
Section 5: Technical Data	40
Repair Parts List	40
<i>for T-series</i>	40
<i>for SM-series</i>	41

Customer Support

HERENTALS, BELGIUM (8:30 A.M. to 4:30 P.M.) CET

Phone: + 32 (0) 14 25 99 11

Website: www.pentairpooleurope.com

Declaration of Conformity

We declare, under our sole responsibility, that the product identified in this declaration, and to which this declaration relates, are in conformity with the protection requirements of Council Directive 98/37/EEG.

The manufacturer, Pentair Water Belgium N.V., has the right to modify the products without previous notice for as far as their characteristics are not really changed by this.

© 2009 Pentair Water Pool Inc. all rights reserved. This document is subject to change without notice

Trademarks and disclaimers: Cristal-Flo™ and Sta-Rite™ are trademarks and/or registered trademarks of Pentair Water Pool Inc. and/or its affiliated companies.

IMPORTANT SAFETY PRECAUTIONS

THESE OPERATING INSTRUCTIONS CONTAIN IMPORTANT INFORMATION ON THE SAFE, PROPER AND ECONOMICAL OPERATION OF THE SWIMMING POOL FILTERS. STRICT OBSERVATION OF THE OPERATING INSTRUCTIONS WILL HELP TO AVOID DANGERS, REDUCE REPAIR COSTS AND SHUTDOWN TIMES AND INCREASE THE RELIABILITY AND WORKING LIFE OF THE PRODUCT.

General Information

Check carton for any evidence of damage due to rough handling in shipment. If carton or any filter components are damaged, notify the carrier immediately.



This manual contains critical safety information that must be provided to the end user. Failure to read and to follow instructions could result in serious personal injury and/or major property damage.

- This filter operates under pressure and if assembled improperly or operated with air in the water circulation system, the top lid (SM-Series) or top valve (T-Series) can separate, blowing off, which may result in an accident causing property damage or serious bodily injury.
- Keep safety labels in good condition and replace if missing or illegible.
- Failure to operate your filter system or inadequate filtration can cause poor visibility in your pool. This can result in serious personal injury or drowning as a consequence of diving into turbid water or on top of obscured objects
- Please note that a filter removes organic matter and does not sanitize the pool. The pool water must be sanitized and the water must be balanced for sparkling clear water.
- Filters should never be tested or subjected to air or gas under pressure. All gases are compressible and constitute a serious hazard when under pressure. Severe injury or property damage could occur if the filter is subjected to air or gas pressure.
- Operating at excessive vacuum levels can cause the vessel to crack and could cause property damage.
- To prevent damage to the equipment and possible injury, always turn the pump off before changing the valve position.
- Always visually inspect the filter components during normal servicing to ensure structural safety. Replace any item that is cracked, deformed or otherwise visually defective. Defective filter components can allow the filter top or attachments to be blown off and could cause severe injury or property damage.

Section 2

Installation

Installation of filter should only be done by qualified, licensed personnel.

Filter should be installed in a location which must:

- Provide weather and freeze protection.
- Provide space and lighting for easy access for routine maintenance.
- Be on a reasonably level surface and provide adequate drainage.
- Be as close to pool as possible to reduce line loss from pipe friction.

Piping

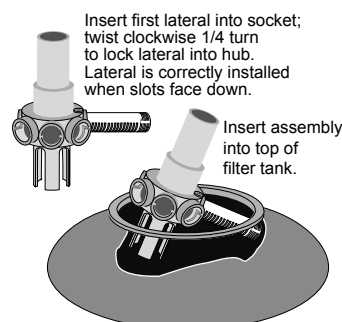
- Piping must conform to local/country plumbing and sanitary codes.
- Use pipe joint sealing compound or teflon tape on all applicable pipe and fittings.
- Do not damage union sealing surfaces or "O" Rings.
- Support pipe independently to prevent strains on filter or valve.

Wastewater

Be sure all provisions for waste water disposal meet applicable local or national regulations. 380 litres (100 gallons) or more of pool water will be discharged during filter backwashing. Do not discharge where water will cause flooding or damage.

Filter Setup for Top Mount Versions (T-series)

Assembly: See Figures 1 through 3 for assembly laterals.



Loading Sand Media

1. To keep sand out of collector assembly, place plastic sand shield over top of collector tube before pouring sand into filter (See Figure 4).
2. To support laterals and prevent lateral breakage during loading, fill tank about half full of water before loading sand.
3. Pour correct amount of sand into filter tank (see product label).
4. Remove plastic sand loading shield and keep for future use.

Figure 1

Hold assembly up near top of tank and add remaining laterals.

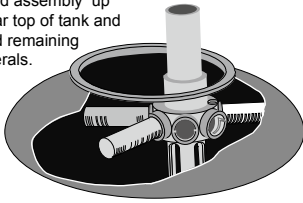


Figure 2

After all laterals are securely in sockets, position assembly on centering boss in bottom of tank.

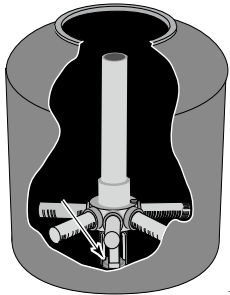


Figure 3

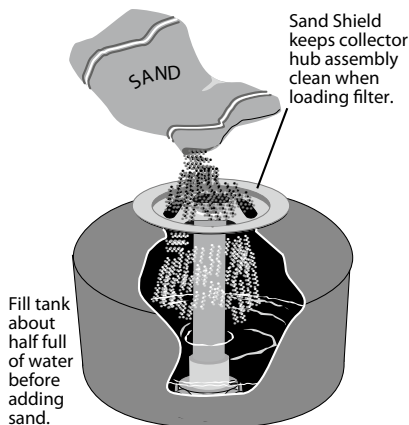


Figure 4

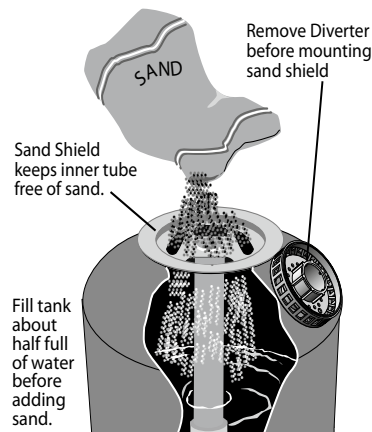


Figure 5

Valve Installation

NOTICE: Make sure gasket area on top of tank, valve and piping are free of sand before installation

1. Install O-Ring on valve flange; make sure O-Ring is clean, dry, and has no nicks, tears, or scrapes.
2. Put valve on top of tank. Vertical pipe of collector assembly inserts into base of valve.
3. Install clamp. Valve port labeled "PUMP" should point toward pump.
4. For plastic clamps: tighten screws until clamp ends (under bolt) are less than 6mm (1/4") apart. Tap around outside of clamp with a mallet to help seat clamp.
For stainless steel clamps: tighten bolt head until clamp is securely fastened.



Hazardous pressure. Clamp will not hold unless it is seated properly! DO NOT START PUMP until clamp secure.

5. If clamp will not pull up to 6mm (1/4") gap, wait 15-30 minutes and retighten. Tap clamp gently with mallet to help seat clamp.
6. Connect pipe from pump discharge to valve port labeled "PUMP" and complete all plumbing connections (see previous section for piping requirements):
 - A. Pipe from valve RETURN port to pool return.
 - B. Pipe from valve WASTE port to waste.
 - C. Suction piping from pool to trap inlet on pump.
7. System is ready for startup.

NOTICE: If there are leaks from beneath valve/clamp area, STOP PUMP, release all pressure, remove clamp and valve and clean sealing surfaces.

Filter Set-up for Side Mount Versions (SM-series) Assembly: See Figure 5 for filter assembly.

NOTICE: Check the tightness of the tank nuts - they may loosen from vibration in shipping. They should be tightened to 40 Nm (30 ft. lbs.) of torque.

Loading Sand Media

1. Follow instructions from T-series version on previous page.

Lid Installation

NOTICE: Make sure gasket area on top of tank, valve and piping is free of sand before installation

1. Install pressure gauge and O-Ring on lid flange; make sure O-Ring is clean, dry, and has no nicks, tears, or scrapes.
2. Put lid on top of tank and install clamp.
3. For plastic clamps: tighten screws until clamp ends (under bolt) are at least 6mm (1/4") apart. Tap around outside of clamp with a mallet to help seat clamp.

For stainless steel clamps: tighten bolt head until clamp is securely fastened



Hazardous pressure. Clamp will not hold unless it is seated properly! DO NOT START PUMP until clamp is secure

4. If clamp will not pull up to 6mm (1/4") gap, wait 15-30 minutes and retighten. tap clamp gently with mallet to help seat clamp.
5. Connect valve ports with union halves provided. Assemble union as follows for leakfree operation:
 - A. O-Ring and sealing surfaces must be clean
 - B. Assemble hand tight only (no wrenches); NO pipe compound or teflon tape on unions.
6. Complete all plumbing connections (see previous section for piping requirements):
 - A. Pipe from valve PUMP port to pool return.
 - B. Pipe from valve RETURN port to pool return.
 - C. Pipe from valve WASTE port to waste.
 - D. Suction piping from pool to trap inlet on pump.
7. System is ready for startup.

NOTICE: If there are leaks from beneath lid/clamp area, STOP PUMP, release all pressure, remove clamp and valve and clean sealing surfaces.

Start-up/Operation (See Figure 7)

- ⚠ Hazardous pressure. To avoid explosion and possible severe or fatal injury, filter system pressure must not exceed 3,5 Bar (50 PSI) under any circumstances. NEVER test this filter system with compressed air; never operate system with water temperature above 35° C (95° F)**
- ⚠ To prevent equipment damage and possible injury, turn pump OFF before changing valve position.**

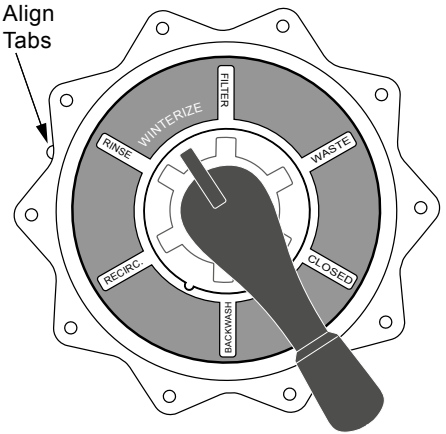
NOTICE: Do not add chemicals directly into the pool skimmer. Adding undiluted chemicals may damage equipment and void warranty.

1. Open system valves and make sure pump is filled with water. Make sure pool water level is 50 mm (2") above bottom of skimmer opening.
2. With pump OFF, set valve to 'BACKWASH' position.
- 3.a. For Top Mount version: start pump, circulating water backwards through filter to waste. Do not install pressure gauge until a steady stream of water runs out of gauge port; then stop pump and install gauge.
- 3.b. For Side Mount: Open the Air Vent Stem and start pump, circulating water backwash through filter to waste. Do not close the Air Vent Stem until a steady stream of water runs out of the Air Vent port; then close the vent.

NOTICE: To prevent pump from running dry, be sure water level never drops below bottom of skimmer inlet. Add water to pool if necessary to keep skimmer flooded while backwashing and rinsing.

4. Backwash until water runs clear (3-5 minutes).
5. Stop pump; set valve to 'RINSE' position.
6. Start pump; run pump for one minute.
7. Stop pump; set valve to 'FILTER' position.
8. Filter is now ready for service.
9. Record clean starting filter pressure gauge reading as a reference.
10. When pool is first filled, backwash once a day until pool water is sparkling clear. After that, backwash when pressure gauge shows 0,30 to 0,50 Bar (5 to 7 PSI) higher than starting pressure.

The function scheme of the 6-way valve

FILTER Normal filtration and vacuuming; water goes through filter to pool.	 <p>Align Tabs</p> <p>Figure 7</p>
RINSE For initial start-up cleaning and sand bed leveling after backwash; water goes through filter to waste.	
RECIRCULATE Circulates pool water; bypasses filter.	
WASTE Lowers pool level or drains pool; water bypasses filter, goes to waste.	
BACKWASH Reverses flow for cleaning; water goes through filter to waste.	
CLOSED Shuts off all flow to filter and pool.	
WINTERIZE Leaves all valve ports partially open for winter storage.	

Section 3

Maintenance

General

Wash outside of filter with a mild detergent and water. Rinse off with hose.

Inspect sand bed at least once a year to remove foreign material which has not been backwashed out of system.

NOTICE: DO NOT use solvents to clean filter; solvents may damage plastic components in system.
When the sand bed gets hard and crusty on top, remove all the old sand and replace it with new sand.

Weekly Pool Equipment Inspection

1. Check pressure during operation. When pressure is 0,3 to 0,5 Bar (5 to 7 PSI) higher than initial operating pressure, backwash filter (see instructions under "Startup/Operation").
2. Except during hot weather with heavy swimmer loads, operating filter 6 to 12 hours per day should be sufficient. Carefully monitor water chemical balance and follow recommendations of your local pool professional.

Water Maintenance

- Keep water level at least 50mm (2") above bottom of skimmer opening. Failure to do so can allow air to enter system, causing pump to lose prime and air to enter filter.
- Maintain pH at 7.2 to 7.6 in pool.

Vacuum Pool

1. Fill vacuum hose by submerging in water from one end to the other.
2. To vacuum, insert hose into skimmer suction manifold or into vacuum line in pool wall. See instructions provided by pool builder or pool manufacturer. Start pump, making sure it is primed and pumping.
3. After vacuuming, clean pump trap to remove accumulated debris, then check filter pressure gage. If reading is 0,3 to 0,5 Bar (5 to 7 PSI) higher than initial operating pressure, backwash filter.

Lower or Drain Pool

1. Turn pump 'OFF'; set valve handle to 'WASTE'.
2. Use vacuum cleaner hose and head.
3. Start pump; run until pool is lowered to desired level.
4. Turn pump 'OFF'; set valve handle to 'FILTER'.
5. Start pump.

Storage/Winterizing

Pool chemicals may give off corrosive fumes. Store chemicals away from system in a well ventilated area.

NOTICE:

Allowing water to freeze will damage filter and void warranty. If antifreeze is needed, use propylene glycol; it's plastic compatible and non-toxic. Follow manufacturers instructions. Do not use ethylene glycol based anti-freeze – it's toxic and it may damage plastic components.

1. Open all system valves. Set multiport valve at 'WINTERIZE' to allow air passage to all ports.
2. Remove drain plug from filter and drain filter tank completely and replace drain cap.
3. Cover filter to protect from freezing weather, but do not seal from air circulation.

Startup for Winterized Equipment

1. Remove any temporary weather protection placed around system for shutdown.
2. See "Startup" for reactivation of the filter.
3. Inspect all electrical wiring to pump for damage or deterioration over the shutdown period. Have a qualified serviceman repair/replace wiring as needed. Inspect and tighten all watertight connections.
4. Open all valves in suction and return piping.
5. Remove any winterizing plugs in system.
6. Drain all winterizing chemicals (if used) from system; flush system.
7. Close all drain valves and replace all drain plugs in system.
8. Fill pool with water to proper level (see pool manufacturer's instructions).

Section 4

Troubleshooting Guide

1. Short Cycle between backwashes:

- A. Flow rate too high or filter too small; consult dealer for system sizing recommendations.
- B. Water is chemically out of balance; consult pool serviceman.
- C. Excess dirt/dust in pool; vacuum pool directly to waste.
- D. Body oil/lotion build-up in filter; consult dealer for chemical filter cleaners and follow cleaner manufacturer's instructions.

NOTICE:

Time between backwashes will vary with each installation and between different areas of the country. Ask installer about normal backwash interval in your area. The following causes and remedies are for cycle times shorter than normal for your area.

- E. Filter inadequately backwashed. See instructions under "Startup/Operation" section.
- F. Algae in pool. Consult pool professional about proper chemical maintenance.
- G. Residual chlorine level too low. Consult pool professional about proper chemical maintenance.
- H. Inspect filter sand for solidification caused by dust, calcium, skin oils, or suntan lotions.

⚠ WARNING**Hazardous pressure.**

Can cause severe injury or major property damage from tank blow up.
Release all pressure and read instructions before working on filter.

2. Low Flow:

- A. Pipe blocked downstream from filter; remove obstruction.
- B. Piping too small; use larger pipe.
- C. Plugged pump; plugged hair and lint trap or skimmer basket. Clean thoroughly.

3. Pool Water Not Clear:

- A. Water is chemically out of balance; consult pool professional.
- B. Filter is too small; consult dealer about equipment sizing.
- C. Sand in pool means broken lateral. Drain both water and sand out of tank. Follow procedure under "Filter Setup" section, and instructions with new lateral to replace broken part.

Inhaltsverzeichnis

Wichtige Sicherheitsvorkehrungen	7
Abschnitt 1: Allgemeine Informationen	8
Abschnitt 2: Installation	8
Montage des Filters/der Rohrleitungen	8
Einrichten des Filters	8
<i>für T-series (Oberen Ventilanschluß.)</i>	9
<i>für SM-series (Seitlichen Ventilanschluß)</i>	9
Start/Inbetriebnahme	10
Der Funktion Entwurf des 6-Wege Ventils	11
Abschnitt 3: Wartung	11
Wasserpflege	11
Aufbewahrung/Überwintern	12
Abschnitt 4: Fehlerbehebung	12
Abschnitt 5: Technische Daten	40
Ersatzteilliste	40
<i>für T-series</i>	40
<i>für SM-series</i>	41

Kundendienst

HERENTALS, BELGIEN (8:30 bis 16:30 Uhr) MEZ

Telefon: + 32 (0) 14 25 99 11

Webseite: www.pentairpooleurope.com

Konformitätserklärung

Wir erklären unter unserer alleinigen Verantwortung, dass das in dieser Erklärung genannte Produkt, auf das sich diese Erklärung bezieht, den Schutzanforderungen der Richtlinie 98/37/EWG entspricht.

Der Hersteller, Pentair Water Belgium N.V., hat das Recht die Produkte ohne vorangehende Benachrichtigung zu ändern soweit deren Eigenschaften hierdurch nicht wesentlich geändert werden.

© 2009 Pentair Water Pool Inc. Alle Rechte vorbehalten. Änderungen der Anleitung vorbehalten.

Marken und Haftungsausschluss: Cristal-Flo™ und Sta-Rite™ sind Markennamen und/oder eingetragene Warenzeichen der Pentair Water Pool and Spa, Inc. und oder ihrer Tochterfirmen.

WICHTIGE SICHERHEITSVORKEHRUNGEN

DIE BETRIEBSANLEITUNG ENTHÄLT WICHTIGE HINWEISE, UM DIE SCHWIMMBADPUMPEN SICHER, SACHGERECHT UND WIRTSCHAFTLICH ZU BETREIBEN. IHRE BEACHTUNG HILFT GEFAHREN ZU VERMEIDEN, REPARATURKOSTEN UND AUSFALLZEITEN ZU VERMINDERN UND DIE ZUVER-LÄSSIGKETI UND LEBENSDAUER DER SCHWIMMBADPUMPEN ZU ERHÖHEN.

Abschnitt 1

Allgemeine Informationen

Überprüfen Sie den Karton auf Anzeichen von Schäden, die auf eine unsachgemäße Behandlung während des Transports zurückzuführen sind. Benachrichtigen Sie sofort die Transportgesellschaft, falls der Karton oder Filter beschädigt ist.



Diese Anleitung enthält äußerst wichtige Sicherheitsinformationen für den Endbenutzer. Nichtlesen und Nichtbefolgen dieser Anweisungen kann ernsthafte Körperverletzungen und/oder erhebliche Sachschäden zur Folge haben.

- Dieser Filter funktioniert unter Druck und wenn er schlecht zusammengebaut oder benutzt wird, während sich Luft um Wasserumlaufsystem befindet, kann sich der obere Verschluss lösen, was einen Unfall mit Sachschäden oder ernsthafte Körperverletzungen zur Folge haben kann.
- Das Sicherheitsetikett muß in einem guten Zustand erhalten werden und muß ersetzt werden, falls er verschwunden oder unlesbar geworden sind.
- Nichtbenutzung Ihrer Filtersystems oder ungenügende Filtrierung kann zu Wasser schlechter Qualität führen, wodurch die Sichtbarkeit in Ihrem Schwimmbad dermaßen eingeschränkt wird, dass man in oder auf schwer sichtbare Gegenstände tauchen könnte, was ernsthafte Körperverletzungen oder sogar Ertrinken zur Folge haben kann.
- Denken Sie daran, dass ein Filter organisches Material entfernt aber das Schwimmbad nicht reinigt. Das Wasser im Schwimmbad ist zu reinigen und in Gleichgewicht zu bringen, um sprudelndes, klares Wasser zu bekommen.
- Die Filter dürfen niemals mit Luft oder Gas unter Druck geprüft oder diesen ausgesetzt werden. Alle Gase sind kompressibel und unter Druck bilden sie eine Gefahr. Es können ernsthafte Körperverletzungen oder Sachschäden entstehen, wenn der Filter Luft- oder Gasdruck ausgesetzt wird.
- Die Benutzung des Filters bei so hohen Vakuumniveaus kann den Behälter reißen lassen und Sachschäden verursachen.
- Bevor Sie Änderungen an der Einstellung des Ventils vornehmen, (Rückspülen, Nachspülen o.ä.) muß die Pumpe stets ausgeschaltet werden. Nichtbeachten kann zu Sachschäden an der Filteranlage führen. Der Garantieanspruch erlischt.

Abschnitt 2

Installation

Montage des Filters/der Rohrleitungen

Die Installation des Filters sollte über qualifiziertes Fachpersonal erfolgen.

Der Anbau des Filters muss Folgendes gewährleisten

- Schutz vor Wetterbedingungen und Frost.
- Genügend Platz und Licht für einen leichten Zugriff bei routinemäßigen Wartungsaufgaben.
- Muss sich auf einer relativ ebenen Oberfläche befinden und eine ausreichende Abflussmöglichkeit gewährleisten.
- Muss sich so nah wie möglich am Schwimmbecken befinden, um einen Leitungsverlust aufgrund von Reibung zu reduzieren.

Rohrleitungen

- Die Rohrleitungen müssen den örtlichen/nationalen Vorschriften und Gesundheitsvorschriften entsprechen.
- Verwenden Sie Dichtungsmaterial oder teflonbeschichtetes Klebeband für den Anschluss der Rohrleitungen und Verbindungen
- Beschädigen Sie nicht die Oberflächen der Anschlussstücke oder des O-Rings.
- Sorgen Sie dafür, dass die Rohrleitung unabhängig gestützt wird, um Spannungen am Filter oder am Ventil zu vermeiden.

Abwasser

Achten Sie darauf, dass die Einrichtungen zur Abwasserentsorgung der örtlichen oder nationalen Gesetzgebung entsprechen. Bei einer Rückspülung des Filters entstehen 380 Liter Schwimmbeckenabwasser. Lassen Sie kein Abwasser ab, wo es zu Überschwemmungen oder Beschädigungen führen könnte.



Abbildung 1



Abbildung 2

Überprüfen alle Anschlussstücke fest in der Anschlussbohrung durch, setzen Sie die Baugruppe mit einer Blödschraube am besten einen Kessel.

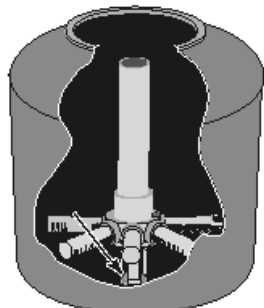


Abbildung 3

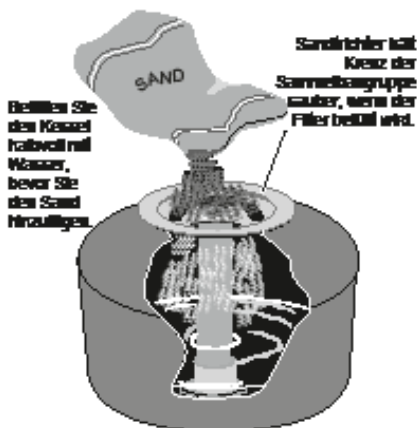


Abbildung 4

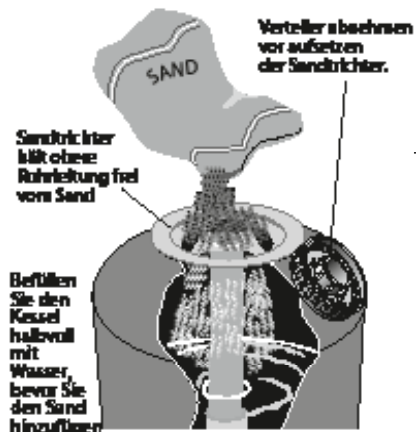


Abbildung 5

Einrichten des Filters mit Oberem Ventilanschluß (T-series)

Zusammenbau: Informationen zum Zusammenbau der Filterelementen, siehe Abbildung 1 bis 3.

Befüllen des Sandmaterials

1. Damit kein Sand in die Sammelbaugruppe gerät, platzieren Sie den Sandtrichter aus Plastik über dem Sammelrohr, bevor Sie Sand in den Filter füllen. (siehe Abbildung 4).
2. Um die Anschlussstücke zu schützen und zu vermeiden, dass sie beim Befüllen kaputt gehen, füllen Sie den Kessel halbvoll mit Wasser, bevor Sie den Sand einfüllen.
3. Schütten Sie den Sand in den Filterkessel. Der richtige Typ und die Menge des zu verwenden den Sands finden Sie in Tabelle I.
4. Entfernen Sie den Plastiktrichter, über den Sie den Sand eingefüllt haben, und bewahren Sie ihn für eine spätere Verwendung auf.

Ventilinstallation

HINWEIS: Achten Sie darauf, dass der Dichtungsbereich oben im Kessel, Ventil und Rohre sandfrei ist bevor Befestigung.

1. Installieren Sie den O-Ring am Ventilflansch. Achten Sie darauf, dass der O-Ring sauber und trocken ist und keine Kerben, Kratzer oder Risse aufweist.
2. Achten Sie darauf, dass die Kessel- und Ventilflansche sauber und sandfrei sind, und platzieren Sie das Ventil oben auf dem Kessel. Das vertikale Rohr der Sammelbaugruppe wird in den Ventilansatz eingesetzt.
3. Installieren Sie die Klemme. Der Ventilanschluss namens „PUMP“ muss in Richtung Pumpe zeigen.
4. Für Plastik-Klemmschelle: Ziehen Sie die Schrauben so fest, bis beiden Enden der Klemme (unter dem Gewinde) nicht mehr als 6 mm voneinander entfernt sind. Klopfen Sie mit einem Gummihammer rund um die Klemme, um sie zu platzieren
Für Edelstahl- Klemmschelle: Knopf fest anziehen bis die Klemme sicher und fest sitzt.



Gefährlicher Überdruck. Die Klemme hält nur, wenn sie richtig platziert ist! STARTEN SIE DIE PUMPE ERST, wenn die beiden Enden der Klemme befestigt sind.

5. Wenn Sie die Klemme nicht bis auf eine 6 mm große Lücke schließen können, warten Sie 15 bis 30 Minuten und ziehen Sie sie erneut fest. Klopfen Sie leicht mit einem Gummihammer rund um die Klemme, um sie richtig zu platzieren.
6. Verbinden Sie das Rohr der Pumpenabgabeleitung über das mitgelieferte Anschlussstück mit dem Ventilanschluss namens „PUMP“. Beenden Sie die Verbindung aller Leitungssysteme (die Voraussetzungen für die Rohrleitungen finden Sie im vorherigen Abschnitt):
 - A. Leitung von Ventilanschluss namens „RETURN“ an Rücklaufanschluss.
 - B. Leitung von Ventilanschluss „WASTE“ an die Abwasserleitung.
 - C. Ansaugrohr vom Schwimmbecken in den Siphonzufluss an der Pumpe.
7. System ist startbereit.

HINWEIS: Falls der Bereich unter dem Ventil oder der Klemme leckt, HALTEN SIE DIE PUMPE AN, lassen Sie den Druck ab, entfernen Sie die Klemme und das Ventil, und reinigen Sie die Dichtungsflächen.

Einrichten des Filters mit seitlichem Ventilanschluß (SM-series)

Zusammenbau: Informationen zum Zusammenbau des Filters, siehe Abbildung 5.

HINWEIS: Überprüfen Sie die Muttern des Kessels. Sie können sich während dem Transport lösen. Sie sollten auf 40Nm angezogen werden.

Befüllen des Sandmaterials

1. Siehe Unterweisungen für T-Versionen.

Deckelinstallation

HINWEIS: Achten Sie darauf, dass der Dichtungsbereich oben im Kessel, Ventil und Rohre sandfrei ist bevor Befestigung.

1. Installieren Sie die Druckanzeige und den O-Ring am Deckelflansch. Achten Sie darauf, dass der O-Ring sauber und trocken ist und keine Kerben, Kratzer oder Risse aufweist.
2. Achten Sie darauf, dass der Kessel- und Deckelflansch sauber und sandfrei ist, und platzieren Sie den Deckel oben auf dem Kessel und installieren Sie die Klemme.
3. Für Plastik-Klemmschelle: Ziehen Sie die Schrauben so fest, bis beiden Enden der Klemme (unter dem Gewinde) nicht mehr als 6 mm voneinander entfernt sind. Klopfen Sie mit einem Gummihammer rund um die Klemme, um sie zu platzieren.
Für Edelstahl- Klemmschelle: Knopf fest anziehen bis die Klemme sicher und fest sitzt.



Gefährlicher Überdruck. Die Klemme hält nur, wenn sie richtig platziert ist! STARTEN SIE DIE PUMPE ERST, wenn die beiden Enden der Klemme befestigt sind.

4. Wenn Sie die Klemme nicht bis auf eine 6 mm große Lücke schließen können, warten Sie 15 bis 30 Minuten, und ziehen Sie sie erneut fest. Klopfen Sie leicht mit einem Gummihammer rund um die Klemme, um sie richtig zu platzieren.
5. Verbinden Sie die Ventilanschlüsse mit den beiliegenden Anschlussstücken. Bauen Sie die Einheit wie folgt zusammen, um ein Lecken beim Betrieb zu vermeiden:
 - A. Die Oberflächen des O-Rings und der Dichtung müssen sauber sein.
 - B. Ziehen Sie alles nur von Hand fest (nicht mit einem Schraubenschlüssel).
 - C. Verwenden Sie keine Verbindungsmasse oder teflonbeschichtetes Klebeband für Anschlussstücke.
6. Beenden Sie die Verbindung aller Leitungssysteme (die Voraussetzungen für die Rohrleitungen finden Sie im vorherigen Abschnitt):
 - A. Leitung von Ventilanschluss namens „PUMP“ (Pumpe) an Rücklaufanschluss.
 - A. Leitung von Ventilanschluss „RETURN“ (Zurück) an Rücklaufanschluss.
 - C. Leitung von Ventilanschluss „WASTE“ (Abwasser) an die Abwasserleitung.
 - D. Ansaugrohre vom Schwimmbecken in den Siphonzufluss an der Pumpe.
7. System ist startbereit.

HINWEIS: Falls der Bereich unter dem Deckel oder der Klemme leckt, HALTEN SIE DIE PUMPE AN, lassen Sie den Druck ab, entfernen Sie die Klemme und das Ventil reinigen Sie die Dichtungsoberflächen.

Inbetriebnahme (siehe Abbildung 7)



Gefährlicher Überdruck. Um Explosionen und eventuelle schwere oder tödliche Verletzungen zu vermeiden, darf der Druck des Filtersystems auf keinen Fall 3,5 BAR (345 kPa) überschreiten. Testen Sie dieses Filtersystem NIEMALS mit Druckluft. Betreiben Sie das System nicht bei einer Wassertemperatur über 35° C (95° F).



Um Beschädigungen der Anlage und mögliche Verletzungen zu vermeiden, schalten Sie die Pumpe AUS, bevor Sie die Stellung des Ventils ändern.

HINWEIS: Füllen Sie keine Chemikalien direkt in die Abschöpfvorrichtung. Das Zugeben von unverdünnten Chemikalien kann die Anlage beschädigen und lässt zudem die Garantie verfallen.

1. Öffnen Sie die Ventile des Systems und vergewissern Sie sich, dass die Pumpe mit Wasser gefüllt ist. Überprüfen Sie, ob der Wasserstand im Schwimmbecken 50 mm über dem unteren Rand der Öffnung der Abschöpfvorrichtung liegt.
2. Stellen Sie bei AUSGESCHALTETER Pumpe das Ventil in die Position „BACKWASH“ (Rückspülung) ein.
- 3.a. Bei Top-Mount Version: Starten Sie die Pumpe, die das Wasser zurück durch den Filter in das Abwasser spült. Installieren Sie die Druckanzeige erst dann, wenn ein stetiger Wasserstrahl aus dem Druckanschluss läuft. Halten Sie die Pumpe dann an, und installieren Sie die Druckanzeige.
- 3.b. Bei Side-Mount Version: Öffnen Sie den Entlüftungsschaft, und starten Sie die Pumpe, die das Wasser zurück durch den Filter in das Abwasser spült. Schließen Sie den Entlüftungsschaft erst dann, wenn ein steter Wasserstrahl aus dem Entlüftungsanschluss fließt; schließen Sie dann das Ventil.

HINWEIS: Damit die Pumpe nicht trocken läuft, achten Sie darauf, dass der Wasserstand niemals unter dem Einlauf der Abscheidervorrichtung liegt. Lassen Sie gegebenenfalls Wasser in das Schwimmbecken laufen, damit die Abscheidervorrichtung beim Rückspülen und Spülen immer im Wasser liegt.

4. Führen Sie so lange eine Rückspülung durch, bis das Wasser klar ist (3 bis 5 Minuten).
5. Stellen Sie die Pumpe aus und das Ventil in die Position „RINSE“ (Spülung) ein.
6. Starten Sie die Pumpe erneut, und lassen Sie sie eine Minute lang laufen.
7. Stellen Sie die Pumpe aus und das Ventil in die Position „FILTER“ ein.
8. Der Filter ist jetzt betriebsbereit.
9. Schreiben Sie sich den Stand der Druckanzeige beim Start des sauberen Filters auf.
10. Wenn das Schwimmbecken zum ersten Mal gefüllt wird, führen Sie jeden Tag eine Rückspülung durch, bis das Schwimmbeckenwasser glasklar ist. Führen Sie die nächste Rückspülung durch, wenn die Druckanzeige 0,30 bis 0,50 Bar über dem Druck beim Start anzeigt.

Der Funktion Entwurf des 6-Wege Ventils

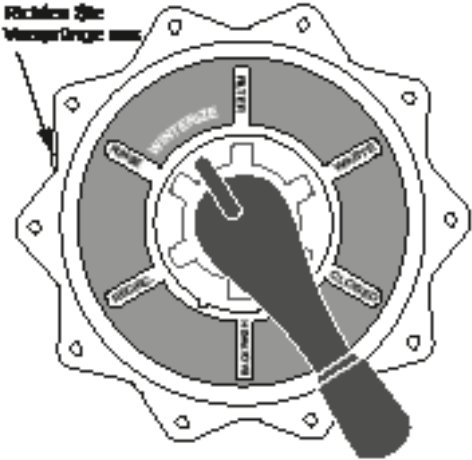
FILTERN (FILTER) Normale Filtrierung und Absaugung. Wasser fließt durch den Filter in das Becken.	
NACHSPÜLEN (RINSE) Für erste Reinigung nach der Inbetriebnahme und zur Ebnung der Sandschicht nach der Rückspülung. Wasser fließt durch den Filter in das Abwasser.	
ZIRKULIEREN (RECIRCULATE) Lässt das Schwimmbeckenwasser zirkulieren; umgeht die Filter.	
ENTLEEREN (WASTE) Senkt Wasserspiegel im Becken oder lässt Wasser im Becken ab; Wasser läuft am Filter vorbei in das Abwasser.	
RÜCKSPÜLEN (BACKWASH) Der Fluss wird zur Reinigung umgekehrt. Wasser läuft durch den Filter in das Abwasser.	
GESCHLOSSEN (CLOSED) Fluss zu Filter und Schwimmbecken wird abgedreht.	
WINTER (WINTERIZE) Alle Ventile bleiben zur Überwinterung teilweise geöffnet.	

Abbildung 7

Abschnitt 3

Wartung

Allgemeines

Waschen Sie die Außenseite des Filters mit einem milden Reinigungsmittel und Wasser ab. Sprühen Sie ihn mit dem Gartenschlauch sauber. Überprüfen Sie die Sandschicht mindestens einmal im Jahr, und entfernen Sie Fremdkörper, die bei der Rückspülung nicht aus dem System gespült wurden.

HINWEIS: Verwenden Sie zur Reinigung des Filters KEINE Lösungsmittel; sie könnten die Plastikbestandteile im System beschädigen. Wenn die Oberfläche der Sandschicht hart und bröckelig wird, entfernen Sie den alten Sand und ersetzen Sie ihn durch neuen.

Wöchentliche Inspektion der Schwimmbeckenanlage

1. Überprüfen Sie den Druck während des Betriebs. Wenn der Druck 0,3 bis 0,5 Bar über dem ursprünglichen Betriebsdruck liegt, führen Sie eine Rückspülung des Filters durch (siehe Anweisungen unter „Start/Inbetriebnahme“).
2. Eine Betriebsdauer des Filters von 6 bis 12 Stunden täglich sollte genügen, es sei denn, das Wetter ist sehr warm und viele Schwimmer nutzen das Becken. Überwachen Sie das chemische Gleichgewicht des Wassers sorgfältig, und befolgen Sie die Empfehlungen Ihres zuständigen Schwimmbadfachmanns.

Wasserpflege

- Achten Sie darauf, dass der Wasserstand im Schwimmbecken 50 mm über dem unteren Rand der Öffnung der Abschöpfvorrichtung liegt. Ist dies nicht der Fall, kann Luft in das System gelangen, die Pumpe füllt sich nicht mehr und Luft gerät in den Filter.
- Achten Sie darauf, dass der PH-Wert des Schwimmbeckenwassers zwischen 7.2 und 7.6 liegt.

Absaugen des Schwimmbeckens

1. Füllen Sie den Vakuumschlauch, indem Sie ihn mit beiden Enden in das Wasser tauchen.
2. Um abzusaugen, stecken Sie den Schlauch in den Ansaugstutzen der Abscheidervorrichtung oder in die Saugleitung an der Schwimmbeckenwand. Beachten Sie die Anweisungen des Konstrukteurs oder Herstellers Ihres Schwimmbeckens. Starten Sie die Pumpe, und vergewissern Sie sich, dass sie ansaugt und pumpt.
3. Reinigen Sie nach dem Absaugen das Siphon der Pumpe, und entfernen Sie den Schmutz. Überprüfen Sie danach die Druckanzeige des Filters. Liegt der Druck 0,3 bis 0,5 Bar über dem ursprünglichen Betriebsdruck, führen Sie eine Rückspülung des Filters durch.

Absenken des Wasserspiegels oder Ablassen des Wassers

1. Schalten Sie die Pumpe „AUS“. Stellen Sie den Ventilregler auf „WASTE“
2. Verwenden Sie einen Absaugschlauch und -kopf.
3. Starten Sie die Pumpe, und lassen Sie sie laufen, bis das Wasser bis zum gewünschten Stand abgelassen wurde.
4. Schalten Sie die Pumpe „AUS“, und stellen Sie den Ventilregler auf „FILTER“.
5. Starten Sie die Pumpe.

Aufbewahrung/Überwintern



Es kann sein, dass Schwimmbeckenchemikalien ätzende Dämpfe abgeben. Bewahren Sie Chemikalien an einem gut belüfteten Ort getrennt vom System auf.

HINWEIS: Wenn das Wasser friert, wird der Filter beschädigt und die Garantie erlischt. Wenn Sie ein Frostschutzmittel verwenden müssen, nehmen Sie Propylenglykol, da es plastikverträglich und ungiftig ist. Befolgen Sie die Anweisungen des Herstellers. Verwenden Sie kein Frostschutzmittel auf Ethylenglykol-Basis, da es giftig ist und Bestandteile aus Plastik beschädigen kann.

1. Öffnen Sie alle Systemventile. Stellen Sie das Mehrfachanschlussventil auf „WINTERIZE“ (Überwintern) ein, damit Luft durch alle Anschlüsse strömen kann.
2. Entfernen Sie den Ablaufstöpsel aus dem Filter und entleeren Sie den Filterkessel restlos, und setzen Sie den Ablaufstöpsel wieder ein.
3. Decken Sie eine Folie oder Plane über die Anlage, um sie vor Witterungseinflüssen zu schützen, beachten Sie jedoch eine ausreichende Belüftung.

Inbetriebnahme überwinterter Anlagen

1. Nehmen Sie den provisorischen Schutz vor Witterungseinflüssen über dem abgeschalteten System ab.
2. Siehe Abschnitt „Inbetriebnahme“ zur erneuten Aktivierung des Filters.
3. Überprüfen Sie alle elektrischen Verkabelungen der Pumpe auf Beschädigungen oder Verschleiß, der möglicherweise während der Wintersaison eingetreten ist. Lassen Sie gegebenenfalls einen qualifizierten Servicetechniker die beschädigte Verkabelung ersetzen/reparieren. Überprüfen Sie alle wasserdichten Anschlüsse und ziehen Sie sie fest.
4. Öffnen Sie alle Ventile in den Ansaug- und Rücklaufrohrleitungen.
5. Entfernen Sie alle Stöpsel und Abdeckungen zur Überwinterung vom System.
6. Lassen Sie (falls verwendet) alle Chemikalien der Überwinterung aus dem System ab, und spülen Sie das System durch.
7. Schließen Sie alle Ablassventile, und setzen Sie die Ablaufstöpsel wieder in das System ein.
8. Lassen Sie das Schwimmbecken bis zum richtigen Wasserstand volllaufen (siehe Anweisungen des Schwimmbeckenherstellers).

Abschnitt 4

Anleitung zur Fehlerbehebung

1. Kurzer Zyklus zwischen Rückspülungen:

- A. Flussrate ist zu hoch oder Filter zu klein. Fragen Sie Ihren Händler nach Empfehlungen zur Anpassung des Systems.
- B. Chemisches Gleichgewicht des Wassers ist unausgewogen. Konsultieren Sie Ihren Schwimmbeckenfachmann.
- C. Übermäßiger Schmutz/Staub im Schwimmbecken. Schwimmbecken direkt absaugen und Wasser ablassen.
- D. Sonnenmilch/Hautfette sammeln sich im Filter an. Fragen Sie Ihren Händler nach chemischen Filterreinigern, und befolgen Sie die Anweisungen des Herstellers der Reinigungsmittel.

HINWEIS: Der Zeitraum zwischen den Rückspülungen variiert bei jeder Installation und ist von Region zu Region verschieden. Fragen Sie den Installateur, welches Intervall für Rückspülungen in Ihrer Region üblich ist. Folgende Ursachen und Lösungsmaßnahmen gelten für Intervalle, die unter der Norm für Ihre Region liegen.

- E. Rückspülung des Filters nicht ausreichend. Siehe Anweisungen im Abschnitt "Start/Inbetriebnahme".
- F. Algen im Schwimmbecken. Fragen Sie den Schwimmbeckenfachmann zur richtigen chemischen Pflege.
- G. Restchloranteil zu niedrig. Fragen Sie den Schwimmbeckenfachmann zur richtigen chemischen Pflege.
- H. Überprüfen Sie den Filtersand auf Verfestigungen durch Staub, Kalzium, Hautfette oder Sonnenmilch.

WARNING



Gefährlicher Überdruck. Explosion des Kessels kann schwere Verletzungen oder Sachbeschädigungen verursachen. Lassen Sie den gesamten Druck ab, und lesen Sie die Anweisungen, bevor Sie am Filter arbeiten.

2. Niedrige Flussrate:

- A. Rohrleitung hinter dem Filter ist verstopft. Entfernen Sie die Verstopfung.
- B. Rohrleitungen sind zu klein. Verwenden Sie größere Rohre (fragen Sie den Händler nach der richtigen Größe).
- C. Verstopfte Pumpe, verstopfter Haar- und Flusentopf oder Abschöpfkorb. Reinigen Sie sie gründlich.

3. Schwimmbeckenwasser ist nicht klar:

- A. Chemisches Gleichgewicht des Wassers ist unausgewogen. Konsultieren Sie Ihren Schwimmbeckenfachmann.
- B. Filter ist zu klein. Fragen Sie Ihren Händler nach der richtigen Größe.
- C. Sand im Schwimmbecken bedeutet, dass das ein Anschlussstück kaputt ist. Lassen Sie Sand und Wasser aus dem Kessel ab. Entfernen Sie das Ventil; befolgen Sie dazu das im Abschnitt "Einrichten des Filters" beschriebene Verfahren und die Anweisungen zum Austausch eines neuen Anschlussstücks.

Inhoud

Belangrijke veiligheidsvoorzorgsmaatregelen	13
Sectie 1: Algemene informatie	14
Sectie 2: Installatie	14
Filterhouder/Leidingen	14
Montage van de filter	15
<i>voor T-series (Filteraansluiting bovenzijde)</i>	15
<i>voor SM-series (Filteraansluiting zijdelings)</i>	15
Opstarten/Werking	16
De functieregeling van de 6-weg klep	17
Sectie 3: Onderhoud	17
Wateronderhoud	17
Opslag/Klaarmaken voor de winter	18
Sectie 4: Probleemoplossing	18
Sectie 5: Technische gegevens	40
Lijst met reparatieonderdelen	40
<i>voor T-series</i>	40
<i>voor SM-series</i>	41

Klantendienst

HERENTALS, BELGIUM (8.30 uur tot 16.30 uur) CET

Telefoon: + 32 (0) 14 25 99 11

Website: www.pentairpooleurope.com

Conformiteitsverklaring

We verklaren, op eigen verantwoordelijkheid, dat het product dat beschreven wordt in dit document en waarop deze informatie betrekking heeft, overeenstemt met de vereisten van de Richtlijn van de Raad 98/37/EEG.

De fabrikant, Pentair Water Belgium N.V., heeft het recht om de producten te wijzigen zonder voorafgaande melding, voor zover hun eigenschappen hierdoor niet wezenlijk veranderd worden.

© 2009 Pentair Water Pool Inc. Alle rechten voorbehouden Dit document kan worden gewijzigd zonder kennisgeving.

Handelsmerken en disclaimers: Cristal-Flo™ en Sta-Rite™ zijn handelsmerken en/of gedeponeerde handelsmerken van Pentair Water Pool Inc. en/of hieraan gelieerde bedrijven.

BELANGRIJKE VEILIGHEIDSVORZORGSMATREGELEN

DEZE HANDLEIDING BEVAT BELANGRIJKE INFORMATIE OVER HET VEILIGE, JUISTE EN ZUINIGE GEBUIK VAN ZWEMBADPOMPEN. HET NAUWGEZET OPVOLGEN VAN DE INSTRUCTIES ZAL GEVAARLIJKE SITUATIES HELPEN VOORKOMEN, REPARATIEKOSTEN EN BUITEN BEDRIJF PERIODES HELPEN VERMINDEREN EN DE BETROUWBAARHEID EN LEVENSDUUR VAN HET PRODUCT VERHOGEN

Sectie 1

Algemene informatie

Controleer bij ontvangst de filter op eventuele transportschade. Vervittig bij beschadiging onmiddellijk de transporteur.



Deze handleiding bevat uiterst belangrijke veiligheidsinformatie voor de eindgebruiker. Het niet lezen en niet opvolgen van deze instructies kan leiden tot ernstig lichamelijk letsel en/of aanzienlijke materiële schade.

- Deze filter werkt onder druk. Indien de filter slecht wordt geassembleerd of wordt gebruikt terwijl zich lucht in het water-circulatiesysteem bevindt, kan de bovenafsluiting (SM-series) of hoogste klep (T-series) loskomen. Dit kan resulteren in materiële schade of ernstige lichamelijke letsels.
- Houd de veiligheidsstickers in goede staat en vervang ze indien ze verdwenen zijn of onleesbaar zijn geworden.
- Het niet gebruiken van uw filtersysteem of een onvoldoende filtratie kan leiden tot water van slechte kwaliteit, waardoor het zicht in uw zwembad zodanig wordt belemmerd dat men in of bovenop moeilijk zichtbare voorwerpen zou kunnen duiken, wat ernstig lichamelijk letsel of zelfs verdrinking tot gevolg kan hebben.
- Denk eraan dat een filter organisch materiaal verwijdert maar het zwembad niet reinigt. Het water in het zwembad moet gereinigd worden en in evenwicht worden gebracht om klaarhelder water te verkrijgen.
- De filters mogen nooit getest worden met/of blootgesteld worden aan lucht of gas onder druk. Alle gassen zijn samen-drukbaar en vormen een gevaar onder druk. Er kan ernstig lichamelijk letsel en/of materiële schade worden toege-bracht als het filter blootgesteld wordt aan lucht- of gasdruk.
- Het gebruik van de filter bij te hoge vacuüm niveaus kan het vat doen barsten en materiële schade veroorzaken.
- Schakel de filter steeds uit voordat u de stand van de klep wijzigt, om beschadiging van de uitrusting en eventueel letsel te voorkomen.
- Controleer de filteronderdelen steeds visueel tijdens het normale onderhoud, om de structurele veiligheid van de instal-latie te garanderen. Vervang elk onderdeel dat gebarsten of vervormd is of enig ander zichtbaar defect vertoont. Door defecte filteronderdelen kunnen de bovenkant van het filter of aanzetstukken eraf worden geblazen, wat ernstig licha-melijk letsel of materiële schade tot gevolg kan hebben.

Sectie 2

Installatie

Filterhouder/Leidingen

De installatie van de filter zou alleen uitgevoerd mogen worden door erkend en gediplomeerd personeel.

Plaats waar filterhouder geïnstalleerd wordt, moet:

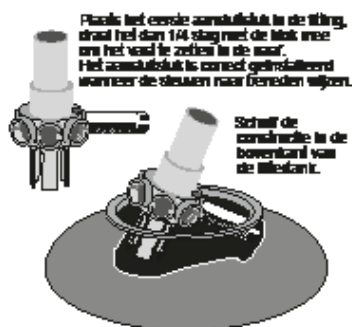
- Bescherming bieden tegen slecht weer en vorst.
- Plaats en licht bieden voor gemakkelijke toegang voor normaal onderhoud.
- Op een normale hoogte worden geplaatst en over een goed afvoersysteem beschikken.
- Zo dicht mogelijk bij het zwembad staan om leidingverlies door leidingweerstand te reduceren.

Leidingen

- De leidingen moeten voldoen aan de plaatselijke/landelijke voorschriften en de gezondheidsbepalingen.
- Gebruik afdichtingsmiddelen of teflon tape voor de schroefdraad van de metalen buis en montagestukken om de buizen met elkaar te verbinden.
Gebruik teflon tape voor alle schroefdraden van de plastic buizen en montagestukken.
- Voorkom beschadiging aan afdichtingen van de koppelstukken of de O-ringen.
- Ondersteun de buis ter voorkoming van extra spanning op de filter of de klep.

Afvalwater

Zorg ervoor dat alle bepalingen voor afvalwater worden nageleefd conform de geldende lokale en nationale regelgeving. Tijdens het z.g. backwashing van het filter (reinigen door het water tegen de stroom in te laten lopen), wordt 380 liter (100 gallons) of meer aan zwembadwater verwijderd. Loos geen water waar kans bestaat op overstrooming of schade.

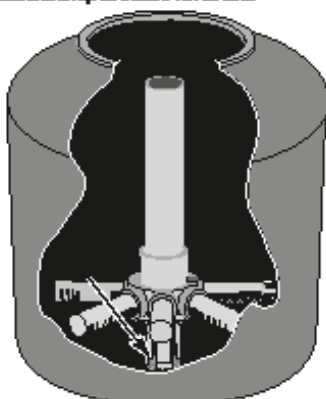


Figuur 1



Figuur 2

Maakt alle aansluitstukken zijn aangebracht, plaats de constructie daar de moer al minimaal te positioneren op de bodem van de tank.



Figuur 3



Figuur 4

Montage voor filteraansluiting bovenzijde (T-series)

Montage: Zie figuur 1 t/m 3 voor de montage van de filterelementen.

Filter vullen met zand

1. Dek de bovenkant van de collectorbuis af met een plastic zandscherm om hem zandvrij te houden bij het vullen van de filter (Zie figuur 4.)
2. Ter ondersteuning van de aansluitstukken en voorkoming dat deze tijdens het laden breken, vul de tank ongeveer voor de helft met water voordat u het zand erin strooit.
3. Strooi het zand in de filtertank. Zie productlabel voor het soort en de noodzakelijke hoeveelheid zand.
4. Verwijder het plastic zandscherm en bewaar het voor toekomstig gebruik.

Klepinstallatie

BELANGRIJK: Let op dat de pakking bovenop de tank vrij is van zand voordat u de klep en de klem installeert.

1. Installeer de O-ring op de dekselrand; zorg ervoor dat de O-ring schoon en droog is en vrij van deuken, scheuren of krassen.
2. Let op dat de tank en de randen van de klep schoon en zandvrij zijn; zet het deksel op de tank. De verticale buis van de gemonteerde collector wordt in de basis van klep geplaatst.
3. Installeer de klem. De kleppoort met het label "PUMP" moet naar de pomp wijzen.
4. Uitvoering met plastic beugels: na vastzetten van de schroeven mag er maximaal 6 mm afstand tussen de 2 beugels zijn. Gebruik indien nodig een rubber hamer om de zitting te verbeteren.
Uitvoering met bevestigingsring in RVSI: spanschroef aandraaien totdat voldoende afdichting bereikt is.



Gevaarlijke druk. Als de klem niet op de juiste wijze is aangebracht, zal deze het begeven! START DE POMP NIET totdat de tussenruimte 6 mm (1/4") of minder bedraagt.

5. Als het onmogelijk blijkt de klem verder vast te draaien, wacht dan 15 tot 30 minuten en probeer het nogmaals. Tik de klem zachtjes op zijn plaats met behulp van een houten hamer.
6. Sluit de buis van de pompafvoer aan op de kleppoort met het label "PUMP". en voltooi alle aansluitingen (voor de voorwaarden die gelden voor leidingen, zie vorige sectie):
 - A. De leidingen tussen de in/uitlaatklep van RETOUR en het zwembad.
 - B. De leiding van de in/uitlaatklep AFVAL naar afval.
 - C. Aanzuigslangen van het zwembad naar kleminlaat op de pomp.
7. Het systeem is klaar om opgestart te worden.

BELANGRIJK: Als er lekkage optreedt aan de onderkant van het klep-/klemge deelte, STOP de POMP, laat alle druk ontsnappen, verwijder de klem en de klep en reinig de oppervlakte van het afsluitgedeelte.

Montage voor filteraansluiting zijdelings (SM-series)

Montage: Zie figuur 5 voor de montage van de filter.

BELANGRIJK: Controleer of de moeren van tank vast zitten, deze kunnen door trillingen tijdens het transport losraken. Draai ze vast tot een vast draaimoment van 40 Nm.

Filter vullen met zand

1. Gelieve de instructies voor de T-series te volgen (zie vorige hoofdstuk)

Installatie-instructies deksel

BELANGRIJK: Zorg ervoor dat het gebied rond de pakking bovenop de tank zandvrij is voordat u het deksel en de klem installeert.

1. Installeer de manometer en de O-ring op de dekselrand; let op dat de O-ring schoon en droog is en vrij van deuken, scheuren of krassen.
2. Plaats het deksel bovenop de tank en installeer de klem.
3. Uitvoering met plastic beugels: na vastzetten van de schroeven mag er maximaal 6 mm afstand tussen de 2 beugels zijn. Gebruik indien nodig een rubberen hamer om de zitting te verbeteren.



Figuur 5

Uitvoering met bevestigingsring in RVSI: spanschroef aandraaien tot dat voldoende afdichting bereikt is.



Gevaarlijke druk. Als de klem niet op de juiste wijze is aangebracht, zal deze het begeven!
START DE POMP NIET totdat de ruimte tussen de klemkoppen 6mm (1/4") of minder bedraagt.

4. Als het onmogelijk blijkt de klem verder vast te draaien, wacht dan 15 tot 30 minuten en probeer het nogmaals. Tik de klem zachtjes op zijn plaats met behulp van een houten hamer.
5. Sluit de de meegeleverde koppelingsstukken aan op de kleppoorten. Voor een lekvrije werking, monteer het koppelstuk op de volgende wijze:
 - A. De O-ring en de afdichtingen moeten schoon zijn.
 - B. Monteer deze handvast aan (zonder gebruik van sleutels).
 - C. Bevestig GEEN pijp materiaal of teflon tape op de koppelstukken.
6. Voltooi alle aansluitingen (voor de voorwaarden die gelden voor leidingen, zie vorige sectie):
 - A. De leidingen tussen de in/uitlaatklep van de POMP en het zwembad.
 - B. De leidingen tussen de in/uitlaatklep van RETOUR en het zwembad.
 - C. De leiding van de in/uitlaatklep AFVAL naar afval.
 - D. Aanzuigslangen van het zwembad naar de kleminlaat op de pomp.
7. Het systeem is klaar om opgestart te worden.

BELANGRIJK: Als er lekkage optreedt aan de onderkant van het deksel-/klemgedeelte, STOP de POMP, laat alle druk ontsnappen, verwijder de klem en de klep en reinig de oppervlakte van de afdichtingen.

Opstarten/Bediening (zie figuur 7)



Gevaarlijke druk. Om de kans op explosiegevaar en mogelijk ernstig of fataal letsel te vermijden, mag de filterdruk nooit meer bedragen dan 3,5 BAR (345 kPa). Test dit filtersysteem NOOIT met samengeperste lucht; laat het systeem nooit draaien bij een watertemperatuur van boven de 35° C (95° F).



Om schade aan het materiaal en eventueel letsel te voorkomen, zet de pomp UIT voordat u de positie van de klep wijzigt.

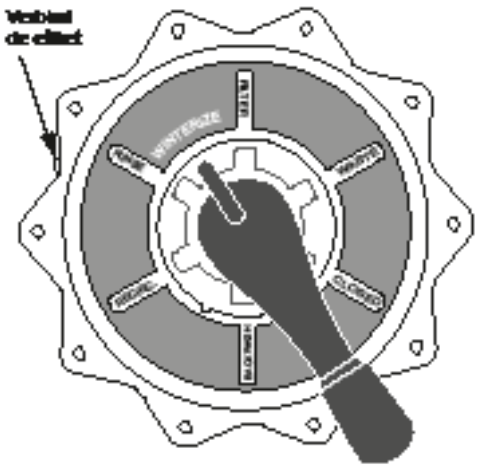
BELANGRIJK: Voeg geen chemicaliën toe aan de bodemzuiger. Het toevoegen van onverdunde chemicaliën kan het materiaal beschadigen en kan tot gevolg hebben dat de garantie bepalingen vervallen.

1. Open de kleppen van het systeem en let op dat de pomp gevuld is met water. Zorg ervoor dat het waterpeil 50 mm(2") boven de onderkant van de opening van de bodemzuiger uitkomt.
2. Met de pomp UIT, stel de klep in op 'BACKWASH'.
- 3.a. Voor Top Mount uitvoering: Start de pomp, het water circuleert tegen de stroom in door de filter naar 'afval'. Installeer de manometer pas als er een ononderbroken waterstroom uit de opening komt; zet de pomp uit en installeer de manometer.
- 3.b. Voor Side Mount: Open het luchtventilatiesysteem en start de pomp; het tegen de stroom in circulerende water stroomt door de filter naar 'afval'. Sluit het luchtventilatiesysteem pas als er een ononderbroken waterstroom uit de opening van het systeem komt; sluit vervolgens het het systeem.

BELANGRIJK: Let op dat het waterpeil nooit lager staat dan de inlaat van de bodemzuiger, om te voorkomen dat de pomp droog komt te staan. Indien noodzakelijk, vul het zwembad tijdens het backwashing en spoelproces zodat de bodemzuiger onder water staat.

4. Laat het water tegen de stroom inlopen (backwash) tot het helder wordt (3 tot 5 minuten).
5. Stop de pomp en zet de klep op 'RINSE'.
6. Start de pomp en laat hem één minuut lopen.
7. Stop de pomp en zet de klep op 'FILTER'.
8. De filter is nu klaar voor gebruik.
9. Houd de (schone) startpositie van filterdrukmeter aan als referentiepunt.
10. Wanneer het zwembad voor de eerste keer gevuld wordt, backwash één keer per dag totdat het water sprankelend helder is. Reinig het water daarna wanneer de manometer 5 tot 7 PSI (34.5 tot 48 kPa) hoger aangeeft dan de begindruk.

De functieregeling van de 6-weg klep

FILTRATIE (FILTER) Normale filtratie en zuiging; het water gaat via de filter naar het zwembad.	
NASPOELEN (RINSE) Vóór de eerste reinigingsbeurt en het op peil brengen van het zandbed na de backwash; het water gaat via de filter naar 'afval'.	
CIRCULATIE ZONDER FILTEREN (RECIRCULATE) Circuleert het zwembadwater; wordt om de filter heengeleid.	
LEDIGEN ZWEMBAD (WASTE) Verlaagt het waterpeil of laat het zwembad leeglopen; het water wordt om de filter heengeleid, gaat naar 'afval'.	
SPOELEN VAN DE FILTER (BACKWASH) Reiniging door omgekeerde waterstroom; het water gaat via de filter naar 'afval'.	
KLEP GESLOTEN (CLOSED) Sluit alle doorstroom af naar de filter en het zwembad.	
WINTER (WINTERIZE) Laat alle klepopeningen gedeeltelijk openstaan voor winteropslag.	

Figuur 7

Sectie 3

Onderhoud

Algemeen

Reinig de buitenkant van de filter met een mild schoonmaakmiddel en water. Spoel hem af met een waterslang. Inspecteer het zandbed minstens één keer per jaar op vreemd materiaal dat na het reinigen in het systeem is achtergebleven.

BELANGRIJK: Gebruik GEEN oplosmiddelen voor het reinigen van de filter; oplosmiddelen kunnen de plastic onderdelen in het systeem beschadigen. Wanneer de bovenkant van het zandbed hard en korrelig wordt, vervang het oude zand.

Wekelijkse inspectie van het zwembadmateriaal

1. Controleer de druk tijdens werking. Wanneer de druk 0,30 tot 0,50 Bar hoger is dan de oorspronkelijke werkdruk, backwash de filter (zie instructie onder "Opstarten/Werking").
2. Met uitzondering van overmatig gebruik op hete dagen, moet 6 tot 12 uur filteren voldoende zijn. Houd de chemische balans van het water nauwkeurig in de gaten en volg de aanbevelingen van uw plaatselijke zwembaddeskundige.

Wateronderhoud

- Houd het waterniveau op minstens 50 mm (2") boven de onderkant van de opening van de bodemzuiger. Indien u dit nalaat kan er lucht in het systeem komen, wat minder zuigkracht van de pomp en lucht in de filter veroorzaakt.
- Houd de pH-waarde van het zwembadwater constant op 7.2 tot 7.6.

Zwembadstofzuiger

1. Vul de stofzuigerslang door hem in het water onder te dompelen.
2. Om te zuigen, druk de slang in het inlaatspruitstuk van de bodemzuiger of op de zuigaansluiting in de muur van het zwembad. Zie de meegeleverde instructies van de zwembadbouwer of -fabrikant. Start de pomp. Let op dat hij aanzuigt en pompt.
- 3 Na het zuigen, verwijder het verzamelde vuil van de pompklem, controleer vervolgens de drukmeter van de filter. Als de waarde 0,3 tot 0,5 Bar hoger is dan de oorspronkelijke werkdruk, backwash de filter.

Waterpeil verlagen/zwembad legen

1. Zet de pomp UIT, zet de klephendel op 'WASTE'.
2. Gebruik de stofzuigerslang en zuigerkop.
3. Start de pomp en laat hem lopen totdat het water tot het gewenste niveau is gezakt.
4. Zet de pomp UIT en zet de klephendel op 'FILTER'.
5. Start de pomp.

Opslag/Klaarmaken voor de winter



Zwembadchemicaliën kunnen giftige dampen vormen. Bewaar de chemicaliën gescheiden van het systeem in een goed geventileerde ruimte.

BELANGRIJK: Bevriezing van het water beschadigt de filter en kan tot gevolg hebben dat de garantie-bepalingen vervallen. Als antivriesmiddel, gebruik propyleenglycol. Dit product is compatibel met plastic en niet giftig. Volg de instructies van de fabrikant. Gebruik geen antivriesmiddel op basis van ethyleenglycol - het is giftig en kan de plastic onderdelen beschadigen.

1. Open alle kleppen van het systeem. Zet de multipoort klep op 'WINTERIZE' om de lucht in alle in/uitlaatopeningen vrij spel te geven.
2. Verwijder de afvoerplug van de filter en laat de filtertank helemaal leeglopen en zet de afvoerkap weer op zijn plaats.
3. Dek de tank af ter bescherming tegen het vriesweer, maar sluit hem niet af van de luchtcirculatie.

Opstartprocedures voor winterklaar gemaakt materiaal

1. Verwijder alle tijdelijk aangebrachte winterbescherming.
2. Zie "Opstarten" voor het reactiveren van de filter.
3. Inspecteer alle elektrische bedradingen op schade of slijtage opgetreden tijdens de opslagperiode. Laat de evt. reparatie/vervanging van bedrading uitvoeren door een erkende monteur. Inspecteer alle waterdichte aansluitingen en draai ze vast.
4. Open alle kleppen in de aanzuig- en retourleidingen.
5. Verwijder alle winterpluggen uit het systeem.
6. Verwijder alle chemicaliën die evt. zijn toegevoegd voor het winterklaar maken uit het systeem. Spoel het systeem door.
7. Sluit alle afvoerkleppen en plaats alle afvoerpluggen weer in het systeem.
8. Vul het zwembad tot het juiste niveau met water (zie instructies zwembadfabrikant).

Sectie 4

Problemen oplossen

1. Korte backwash-cyclus:

- A. De doorstroomsnelheid is te hoog of de filter te klein; neem contact op met uw dealer voor aanbevelingen betreffende systeemomvang.
- B. De chemische balans van het water is verstoord; neem contact op met uw servicemonteur.
- C. Bovenmatig veel vuil/stof in het zwembad; zuig het vuil direct op naar 'afval'.
- D. Lichaamsolie/lotion verzamelt zich in de filter; neem contact op met de dealer voor chemische filterreinigers en volg de schoonmaakinstructies van de fabrikant.

BELANGRIJK: De tijd tussen backwashes varieert per installatie en tussen de verschillende gebieden van het land. Vraag de installateur naar de normale backwash-interval in uw gebied. De volgende oorzaken en oplossingen zijn bedoeld voor intervallen die korter zijn dan die normaal voor uw gebied gelden.

- E. Backwash filter onvoldoende. Zie de instructies onder de sectie "Opstarten/Werking".
- F. Algen in het zwembad. Neem contact op met een deskundige op het gebied van zwembaden over het juiste chemische onderhoud.
- G. Overblijvend chloorniveau te laag. Neem contact op met een deskundige op het gebied van zwembaden over het juiste chemische onderhoud.
- H. Inspecteer het filterzand op verharding veroorzaakt door stof, calcium, lichaamsoliën of zonnebrandlotions.

2. Lage doorstroming:

- A. Verstopte leiding benedenstrooms van de filter; verwijder de verstopping.
- B. Leiding is te smal; gebruik een dikkere buis.
- C. Verstopte pomp; verstopte haar- en pluizenfilter of volle bodemzuiger. Grondig reinigen.

3. Zwembadwater is troebel:

- A. De chemische balans van het water is verstoord; neem contact op met een deskundige op het gebied van zwembaden.
- B. De filter is te klein: neem contact op met uw dealer voor materiaalomvang.
- C. Zand in het zwembad betekent een gebroken aansluitstuk. Verwijder zowel het water als het zand uit de tank. Volg de procedure zoals beschreven onder de sectie "Filteropbouw" en de instructies over het vervangen van een aansluitstuk.

⚠ WARNING



Gevaarlijke druk.
Kan ernstig letsel of grote materiële schade veroorzaken door de kans op explosie van de tank. Laat alle druk ontsnappen en lees de instructies voordat u aan het werk gaat met de filter.

Table de matières

Mesures de sécurité importantes	19
Section 1 : Information générales	20
Section 2 : Installation	20
Montage du filtre/Tuyauterie	20
Mise en place du filtre	21
<i>pour T-series (montage par le haut)</i>	21
<i>pour SM-series (montage latéral)</i>	22
Démarrage/Utilisation	22
L'arrangement de fonctions de la vanne à 6-voies	23
Section 3 : Maintenance	23
Maintenance de l'eau	24
Entreposage/Hivernage	24
Section 4 : Dépistage des pannes	25
Section 5 : Données techniques	40
Liste des pièces de rechange	40
<i>pour T-series</i>	40
<i>pour SM-series</i>	41

Service clientèle

HERENTALS, BELGIQUE (8h30 à 16h30) HNEC

Téléphone : + 32 (0) 14 25 99 11

Site Web : www.pentairpooleurope.com

Déclaration de conformité

Nous déclarons, sous notre seule responsabilité, que le produit identifié dans cette déclaration, et concerné par cette déclaration, est en conformité avec les exigences de la Council Directive 98/37/EEG.

Le fabricant, Pentair Water Belgium N.V., a le droit de modifier les produits sans avis préalable, dans la mesure où cela ne change pas essentiellement leurs caractéristiques.

© 2009 Pentair Water Pool Inc. Tous droits réservés. Ce document est sujet à modification sans préavis.

Marques et clauses d'exclusion de responsabilité : Cristal-Flo™ and Sta-Rite™ sont des marques de Pentair Water Pool Inc. et/ou de ses sociétés affiliées.

MESURES DE SECURITE IMPORTANTES

LA NOTICE D'EMPLOI CONTIENT DES INFORMATIONS IMPORTANTES PERMETTANT D'UTILISER LES FILTRES DE PISCINE DE MANIERE SURE, CORRECTE ET ECONOMIQUE. OBSERVER CETTE NOTICE D'EMPLOI AIDE A PREVENIR DES DANGERS, REDUIRE LES FRAIS DE REPARATION ET LES PERIODES DE DEFAILLANCES ET A AUGMENTER LA DUREE DE VIE DES POMPES DE PISCINE.

Information générales

Contrôlez le filtre à la réception pour déterminer les pertes et dégâts éventuels dûs au transport. En cas de dégât, avertissez immédiatement le transporteur.



Le présent manuel comprend des informations de sécurité absolument essentielles pour l'utilisateur final. Si les présentes instructions ne sont pas lues ni suivies, cela pourrait produire des blessures graves et/ou des dommages matériels.

- Comme ce filtre fonctionne sous pression, tout montage incorrect ou l'infiltration d'air dans le système de circulation d'eau peuvent causer la séparation du couvercle, accident susceptible d'entraîner des dommages matériels ou des blessures graves.
- Veillez à ce que les étiquettes de sécurité demeurent en bon état et remplacez les étiquettes manquantes ou illisibles.
- La non-utilisation du système de filtration ou la mauvaise filtration peuvent rendre l'eau de votre piscine trouble, et donc y réduire significativement la visibilité. Le plongeur risquerait de se heurter à des objets invisibles susceptibles d'entraîner des blessures graves, voire même de provoquer la noyade de la victime.
- Veuillez remarquer que ce filtre enlève la matière organique, mais qu'il ne désinfecte nullement la piscine. L'eau de la piscine doit être désinfectée et l'eau sera équilibrée pour obtenir de l'eau d'une clarté impeccable.
- Ne testez jamais les filtres avec de l'air ou du gaz sous pression, ni ne les y exposez. Tous les gaz sont comprimables et, sous pression, ils présentent un danger. Si le filtre est exposé à de l'air ou du gaz sous pression, il y a risque de blessures graves et ou de dégâts matériels considérables.
- Si le système fonctionne sous un vide excessif, le récipient pourrait bien se fissurer et causer des dégâts matériels.
- Pour éviter tous dégâts au matériel voir toute blessure, arrêtez toujours le filtre avant de changer la position de la vanne.
- Inspectez toujours les éléments du filtre visuellement dans le cadre de l'entretien ordinaire pour veiller à la sécurité structurelle du dispositif. Remplacez tout élément fissuré, déformé, voir visuellement défectueux. En effet, les éléments de filtre défectueux pourraient bien faire 'souffler' le couvercle du filtre ou les accessoires, risquant de provoquer des blessures graves et des dégâts matériels considérables.

Installation

Montage du filtre/Tuyauterie

L'installation du filtre ne doit être confiée qu'à un personnel qualifié et agréé.

Endroit où le filtre est monté, doit:

- Fournir une protection contre les intempéries et le gel.
- Fournir un espace et un éclairage pour un accès lors d'une maintenance de routine.
- Être sur une surface raisonnablement plane et offrir une vidange adéquate.
- Être le plus possible à proximité de la piscine afin de réduire toute perte en ligne due à la friction des tuyaux.

Tuyauterie

- La tuyauterie doit être en conformité avec les réglementations en matière de plomberie et sanitaires en vigueur dans le pays.
- Utilisez des produits d'étanchéité pour joints de tuyauterie ou une bande téflon sur tous les raccords mâles des tuyaux métalliques et raccords.
- Ne pas endommager les surfaces d'étanchéité des raccords union ou des joints toriques.
- Assurez un support indépendant des tuyaux pour éviter toute tension sur le filtre ou la soupape.

Eaux résiduelles

Bien s'assurer que toutes les opérations de rejet des eaux usées respectent les réglementations locales ou nationales en vigueur. 380 litres (100 gallons) ou davantage d'eau de la piscine seront évacués durant le lavage par contre-courant du filtre. Ne pas évacuer d'eau dans les cas où cela provoquerait une inondation ou d'autres dommages.

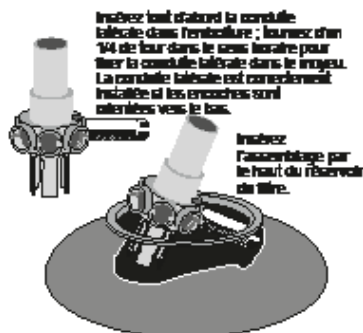


Figure 1

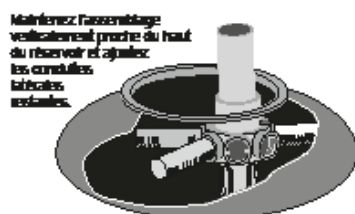


Figure 2

Une fois toutes les conduites latérales fixées dans les embasures, placez l'assemblage sur le logement central situé au bas du réservoir.

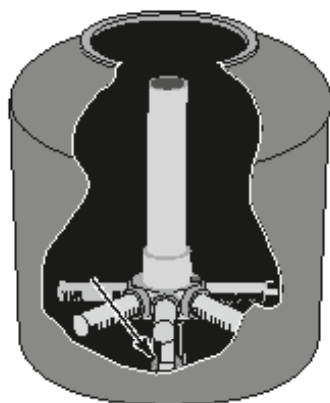


Figure 3

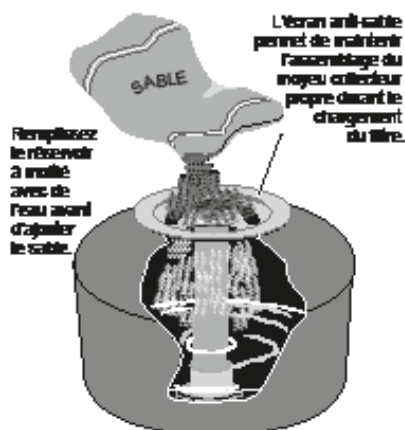


Figure 4

Mise en place du filtre pour versions à montage par le haut (T-series)

Montage : pour l'assemblage des conduites latérales, voir les Figures 1 à 3.

Chargement du dispositif à sable

1. Pour maintenir le sable à l'extérieur de l'ensemble collecteur, placez une protection anti-sable en plastique au-dessus du tube du collecteur avant de verser le sable dans le filtre (voir Figure 4).
2. Pour renforcer les conduites latérales et éviter leur rupture durant le chargement, remplissez à moitié le réservoir avec de l'eau avant de charger le sable.
3. Versez le sable dans le réservoir du filtre. Pour plus d'informations sur le type et la quantité appropriés de sable à employer, voir le l'étiquette..
4. Retirez la protection en plastique de chargement du sable et gardez-la pour un usage ultérieur.

Pose de la soupape

NOTE : Vérifiez que la partie du joint située en haut du réservoir ne contient pas de sable avant de poser la soupape et le collier de serrage.

1. Posez le joint torique sur la bride d'assemblage de la soupape ; vérifiez que le joint torique est propre et sec et qu'il ne présente aucune entaille, ni déchirure ni éraflure.
2. Assurez-vous de la propreté et de l'absence de sable au niveau du réservoir et des brides d'assemblage de la soupape. Posez la soupape sur le haut du réservoir. Tuyau vertical de l'assemblage du collecteur s'insère dans la base de la soupape.
3. Posez le collier de serrage. L'orifice de soupape étiqueté "PUMP" doit pointer vers la pompe.
4. Pour les fixations en plastique : serrer la vis jusqu'à ce que les extrémités de la fixations soient à moins de 6 mm (1/4") l'une de l'autre. Tapez légèrement autour de l'attache avec un maillet pour qu'elle se place correctement.
Pour les fixations en acier : serrer la vis jusqu'à ce qu'elle soit bien serrée.

Pression dangereuse. Le collier de serrage ne tient pas tant qu'il n'est pas positionné correctement ! NE DEMARREZ PAS LA POMPE tant que les extrémités du collier de serrage ne sont écartées de 6 mm (1/4") maximum.



5. Si le collier de serrage ne donne pas un écart de 6 mm (1/4"), attendez 15 à 30 minutes, puis serrez de nouveau. A l'aide d'un maillet, tapotez en douceur pour asseoir le collier de serrage.
6. Raccordez le tuyau entre le refoulement de la pompe et l'orifice de la soupape étiqueté "PUMP" et complétez tous les raccords de plomberie (voir les exigences en termes de tuyauterie dans la section précédente) :
 - A. Tuyau de l'orifice RETURN de la soupape vers le retour de piscine.
 - B. Tuyau de l'orifice WASTE de la soupape vers le rejet.
 - C. Tuyauterie d'aspiration de la piscine vers l'orifice d'entrée du siphon.
7. Le circuit est prêt pour le démarrage.

NOTE : En cas de fuite provenant d'en dessous de la soupape/collier de serrage, ARRÊTEZ LA POMPE, relâchez toutes les pressions, déposez le collier de serrage et la soupape et nettoyez les surfaces d'étanchéité.

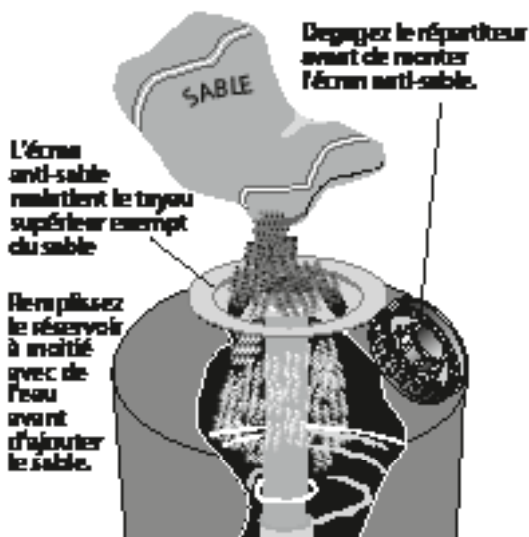


Figure 5

Mise en place du filtre pour versions à montage latéral (SM-series)

Montage : pour l'assemblage du filtre, voir les Figure 5.

NOTE : Vérifiez le serrage des écrous du réservoir - ils peuvent être desserrés à cause des vibrations durant l'expédition. Ils doivent être serrés à un couple de 40 Nm.

Chargement du dispositif à sable

1. Voir instructions de la T-series à montage par le haut (T-series)

Pose du couvercle

NOTE : Vérifiez que la partie du joint située en haut du réservoir ne contient pas de sable avant de poser le couvercle et le collier de serrage.

1. Posez la jauge de pression et le joint torique sur la flasque du couvercle ; assurez-vous que le joint torique est propre et sec et qu'il ne présente aucune entaille, ni déchirure ni éraflure.
2. Posez le couvercle sur le haut du réservoir et posez le collier de serrage.

3. Pour les fixations en plastique : serrer la vis jusqu'à ce que les extrémités de la fixations soient à moins de 6 mm (1/4") l'une de l'autre. Tapez légèrement autour de l'attache avec un maillet pour qu'elle se place correctement. Pour les fixations en acier : serrer la vis jusqu'à ce qu'elle soit bien serrée.



Pression dangereuse. Le collier de serrage ne tient pas tant qu'il n'est pas positionné correctement ! NE DEMARREZ PAS LA POMPE tant que les extrémités du collier de serrage ne sont écartées de 6 mm (1/4") maximum.

4. Si le collier de serrage ne donne pas un écart de 6 mm (1/4"), attendez 15 à 30 minutes, puis serrez à nouveau. A l'aide d'un maillet, tapotez en douceur pour asseoir le collier de serrage.
5. Raccordez les orifices de la soupape avec les demis raccords union fournis. Assemblez le raccord union comme suit pour un fonctionnement sans fuite :
 - A. Joint torique et surfaces d'étanchéité doivent être propres.
 - B. Procédez l'assemblage par serrage manuel uniquement (n'utilisez pas de clé).
 - C. AUCUN mastic pour joints de tuyaux ni bande teflon sur des raccords union.
6. Complétez tous les raccords de plomberie (voir les exigences en termes de tuyauterie dans la section précédente) :
 - A. Tuyau de l'orifice «PUMP» de la soupape vers le retour de piscine.
 - B. Tuyau de l'orifice «RETURN» de la soupape vers le retour de piscine.
 - C. Tuyau de l'orifice «WASTE» de la soupape vers le rejet.
 - D. Tuyauterie d'aspiration de la piscine vers l'orifice d'entrée du siphon.
7. Le circuit est prêt pour le démarrage.

NOTE : En cas de fuites provenant d'en dessous de la zone du couvercle/collier de serrage, ARRÊTEZ LA POMPE, relâchez toutes les pressions, déposez le collier de serrage et la soupape et nettoyez les surfaces d'étanchéité.

Démarrage/Utilisation (voir Figure 7).



Pression dangereuse. Afin d'éviter tout risque d'explosion et de blessures graves ou mortelles, la pression du circuit du filtre ne doit jamais dépasser 3,5 BAR (345 kPa) quelles que soient les circonstances. NE JAMAIS tester ce circuit de filtre avec de l'air comprimé ; ne jamais faire fonctionner le système avec une eau dont la température est supérieure à 35 °C (95 °F).



Afin d'éviter tout risque de dommages et de blessures possibles, ARRÊTEZ la pompe avant de modifier la position de la soupape.

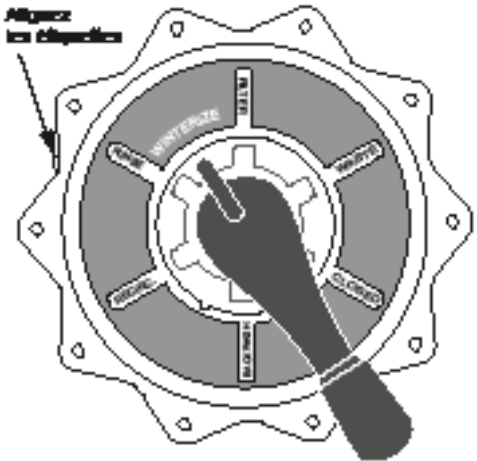
NOTE : Ne pas ajouter de produits chimiques directement dans l'écumoire de la piscine. L'ajout de produits chimiques non dilués risque d'endommager les équipements et d'annuler la garantie.

1. Ouvrez les soupapes du circuit et assurez-vous que le pompe est remplie avec de l'eau. Vérifiez que le niveau d'eau de la piscine est 50 mm (2") au-dessus du bas de l'ouverture de l'écumoire.
2. Avec la pompe ARRÊTÉE, mettez la soupape en position 'BACKWASH'.
- 3.a. Pour la version TM (Top Mount) : démarrez la pompe, en faisant circuler l'eau en sens inverse à travers le filtre vers le rejet. Ne pas installer de jauge de pression tant qu'un jet d'eau régulier ne sort pas de l'orifice de la jauge. Ensuite, arrêtez la pompe et installez la jauge.
- 3.b. Pour la version SM (Side Mount) : Ouvrez la tige de l'évent et démarrez la pompe, en faisant circuler l'eau du lavage par contre-courant au travers du filtre jusqu'au rejet. Ne fermez pas la tige de l'évent tant qu'un jet d'eau régulier ne sort pas de l'orifice de l'évent. Ensuite, fermez l'évent.

NOTE : Pour éviter un fonctionnement à sec de la pompe, assurez-vous que le niveau d'eau ne passe jamais en dessous de l'admission de l'écumoire. A besoin, ajoutez de l'eau dans la piscine pour maintenir l'écumoire immergé durant les opérations de lavage par contre-courant et de rinçage.

4. Lavez par contre-courant jusqu'à ce que l'eau devienne claire (3 à 5 minutes).
5. Arrêtez la pompe, mettez la soupape en position 'RINSE'.
6. Démarrez la pompe, la faire fonctionner durant une minute.
7. Arrêtez la pompe, mettez la soupape en position 'FILTER'.
8. Le filtre est maintenant prêt à fonctionner.
9. Enregistrez la mesure de la jauge de pression du filtre au démarrage du nettoyage à titre de référence.
10. Lors du premier remplissage de la piscine, effectuez une lavage par contre-courant une fois par jour jusqu'à ce que l'eau de la piscine soit sans mousse. Après cela, lavez par contre-courant lorsque la jauge de pression indique 5 à 7 PSI (34,5 à 48 kPa) au-dessus de la pression de démarrage.

L'arrangement de fonctions de la vanne à 6-voies

FILTRATION (FILTER) Filtration et aspiration en mode normal ; l'eau circule du filtre à la piscine.	 <p style="text-align: center;"><i>Figure 7</i></p>
RINCAGE (RINSE) Pour un nettoyage au démarrage initial et une mise à niveau du lit de sable après un lavage par contre-courant ; l'eau circule du filtre au rejet.	
CIRCULATION (RECIRCULATE) Circulation de l'eau de la piscine ; évite le filtre.	
VIDANGE (WASTE) Abaisse le niveau de la piscine ou vidange la piscine ; l'eau ne passe pas par le filtre et va au rejet.	
LAVAGE (BACKWASH) Inverse le flux pour le nettoyage ; l'eau circule du filtre à la piscine.	
FERME (CLOSED) Ferme tous les flux vers le filtre et la piscine.	
HIVER (WINTERIZE) Laisse tous les orifices de la soupape partiellement ouverts pour un entreposage d'hiver.	

Section 3

Maintenance

Générale

Lavez l'extérieur du filtre avec un détergent doux et de l'eau. Rincer abondamment avec un flexible. Inspectez le lit de sable au moins une fois par an pour éliminer les corps étrangers qui n'ont pas été retirés du circuit par un lavage par contre courant.

NOTE : N'UTILISEZ PAS de solvants pour nettoyer le filtre. Les solvants risquent d'endommager les pièces en plastiques du circuit. Si le lit de sable vient à durcir et devient friable sur le dessus, retirez le sable usagé et remplacez-le par du sable nouveau.

Inspection hebdomadaire des équipements de la piscine

1. Vérifiez la pression durant le fonctionnement. Si la pression est de 0,3 à 0,5 Bar au-dessus de la pression de fonctionnement initiale, effectuez un lavage par contre-courant du filtre (voir les instructions de la section "Démarrage/Utilisation").
2. Sauf par temps chaud avec un grand nombre de baigneurs/nageurs, un fonctionnement quotidien du filtre durant 6 à 12 heures doit être suffisant. Surveillez attentivement l'équilibre chimique de l'eau et suivez les recommandations des professionnels en piscine locaux.

Maintenance de l'eau

- Maintenez le niveau d'eau à 50 mm (2") minimum au-dessus du bas de l'ouverture de l'écumoire. Si ce n'est pas le cas, de l'air peut entrer dans le circuit, causant une perte d'amorçage de la pompe et une entrée d'air dans le filtre.
- Maintenez un pH de 7,2 à 7,6 dans la piscine.


Vidange de piscine

1. Remplissez le flexible d'aspiration d'eau en l'immergeant dans l'eau d'une extrémité à l'autre.
2. Pour vidanger, insérez le flexible dans le collecteur d'aspiration de l'écumoire ou dans la canalisation de vidange située dans la paroi de la piscine. Voir les instructions fournies par le constructeur ou le fabricant de la piscine. Démarrez la pompe et assurez-vous de son amorçage et de son bon fonctionnement.
3. Après la vidange, nettoyez le siphon de la pompe pour retirer les débris accumulés, puis vérifiez la jauge de pression du filtre. Si la mesure indique 0,3 à 0,5 Bar au-dessus de la pression de fonctionnement initiale, effectuez un lavage par contre-courant du filtre.

Abaissement du niveau ou drainage de la piscine

1. Arrêtez la pompe, position 'OFF' ; tournez la manette de soupape sur 'WASTE'
2. Utilisez le flexible et le corps de tête de l'aspirateur.
3. Démarrez la pompe, faites-la fonctionner jusqu'à ce que la piscine atteigne le niveau désiré.
4. Arrêtez la pompe, position 'OFF', tournez la manette de soupape sur 'FILTER'.
5. Démarrez la pompe.

Entreposage/Hivernage

 **Les produits chimiques pour piscine peuvent dégager des vapeurs corrosives. Stockez ces produits à distance du circuit dans un endroit bien ventilé.**

NOTE : Laisser l'eau geler risque d'endommager le filtre et d'annuler la garantie. Si un antigel est nécessaire, utilisez du propylène glycol, ce produit convient aux plastiques et n'est pas toxique. Suivez les instructions des fabricants. N'utilisez pas d'antigel à base de glycol éthylique, ce produit est toxique et risque d'endommager les composants plastiques.

1. Ouvrez toutes les soupapes du circuit. Mettez la soupape multi-port sur 'WINTERIZE' pour permettre le passage de l'air par tous les orifices.
2. Retirez le bouchon de vidange du filtre et vidangez complètement le réservoir du filtre et remplacez le bouchon de vidange.
3. Recouvrez l'appareil pour le protéger contre les intempéries, ne scellez pas pour permettre à l'air de circuler.

Démarrage des équipements mis en hivernage

1. Retirez toutes les protections temporaires contre les intempéries disposées autour du système pour la période d'arrêt.
2. Voir la section "Démarrage" pour la réactivation du filtre.
3. Examinez tous les câbles électriques menant à la pompe en recherchant d'éventuels dommages ou détériorations survenus durant la période d'arrêt. Au besoin, faites appel à un dépanneur qualifié pour la réparation/remplacement du câblage. Examinez et serrez tous les raccords étanches.
4. Ouvrez toutes les soupapes de la tuyauterie d'aspiration et de retour.
5. Déposez tous les bouchons d'hivernage présents dans le circuit.
6. Vidangez tous les produits chimiques d'hivernage (si utilisés) du circuit. Rincez le circuit.
7. Fermez toutes les soupapes de vidange et remplacez tous les bouchons de vidange dans le circuit.
8. Remplissez la piscine avec de l'eau jusqu'au niveau approprié (voir les instructions du fabricant de la piscine).

Guide de dépiage des pannes

1. Cycles courts entre des lavages par contre-courant :

- A. Débit trop élevé ou filtre trop petit ; consultez votre revendeur sur les recommandations en termes de taille de circuit.
- B. L'équilibre chimique de l'eau n'est pas respecté ; consultez le dépanneur de piscine.
- C. Excès de saleté/poussières dans la piscine ; vidangez la piscine directement dans le rejet.
- D. Accumulation d'huile corporelle/lotion dans le filtre ; consultez le revendeur à propos des nettoyeurs de filtres chimiques et suivez les instructions du fabricant.

NOTE : Le temps entre des lavages par contre-courant variera selon le lieu d'installation dans le pays. Questionnez l'installateur à propos de l'intervalle de lavage par contre-courant dans votre secteur. Les anomalies et solutions suivantes concernent des temps de cycle plus court que ceux normalement pratiqués dans votre secteur.

- E. Lavage par contre-courant du filtre insuffisant. Reportez-vous aux instructions de la section "Démarrage/Utilisation".
- F. Présence d'algues dans la piscine. Consultez un professionnel des piscines pour un entretien chimique approprié.
- G. Niveau de chlore résiduel trop bas. Consultez un professionnel des piscines pour un entretien chimique approprié.
- H. Recherchez des traces de solidification du sable du filtre dues à des poudres, du calcium, des huiles pour le corps ou des huiles solaires.

WARNING



Pression dangereuse. Peut provoquer des blessures graves et des dommages importants aux biens par une explosion du réservoir.
Relâchez toutes les pressions et lisez les instructions avant d'intervenir sur le filtre.

2. Faible flux :

- A. Blocage de l'écoulement des tuyaux depuis le filtre ; retirez les éléments d'obstruction.
- B. Tuyauterie trop petite ; utilisez un tuyau plus grand.
- C. Pompe engorgée ; filtre à cheveux et charpies ou panier collecteur de l'écumoire bouché. Nettoyez à fond.

3. Eau de la piscine trouble :

- A. L'équilibre chimique de l'eau n'est pas respecté ; consultez un professionnel des piscines.
- B. Filtre trop petit ; voyez le revendeur à propos du dimensionnement des équipements.
- C. Du sable dans la piscine indique une rupture de conduite latérale. Vidangez l'eau et le sable du réservoir. Suivez la procédure de la section "Mise en place du filtre" ainsi que les instructions fournies avec la nouvelle conduite latérale pour le remplacement de la partie cassée.

Índice

Medidas importantes de seguridad	26
Sección 1: Información general	27
Sección 2: Instalación	27
Montaje del filtro/Tuberías	27
Instalación del filtro	28
<i>para las T-series (con Montaje Superior)</i>	28
<i>para las SM-series (con Montaje Lateral)</i>	28
Instalación/Operación	29
Esquema de funciones para la válvula de 6 vías	30
Sección 3: Mantenimiento	30
Mantenimiento del agua	30
Almacenamiento/Preparación para el invierno	31
Sección 4: Localización de averías	31
Sección 5: Datos técnicos	40
Lista de piezas de reparación	40
<i>para las T-series</i>	40
<i>para las SM-series</i>	41

Asistencia al cliente

HERENTALS, BÉLGICA (de 8:30 A.M. - 16:30 P.M.)

Teléfono: + 32 (0) 14 25 99 11

Sitio web: www.pentairpooleurope.com

Declaración de conformidad

Declaramos, bajo nuestra única responsabilidad, que el producto mencionado en esta declaración, al que la misma se refiere, cumple con los requisitos de protección de la Directiva del Consejo Europeo 98/37/EEG.

El fabricante, Pentair Water Belgium N.V., tiene el derecho de modificar los productos sin previo aviso, mientras no cambien realmente sus características.

© 2009 Pentair Water Pool Inc. Todos los derechos reservados. Este documento está sujeto a cambios sin previo aviso.

Marcas registradas y exención de responsabilidad: Cristal-Flo™ y el logotipo de Sta-Rite™ son marcas registradas de Pentair Water Pool, Inc.

MEDIDAS DE SEGURIDAD IMPORTANTES

ESTAS INSTRUCCIONES CONTIENEN INFORMACIÓN IMPORTANTE SOBRE EL FUNCIONAMIENTO SEGURO, CORRECTO Y ECONÓMICO DE LAS BOMBAS PARA PISCINAS. LA ESTRICTA OBSERVACIÓN DE LAS INSTRUCCIONES DE FUNCIONAMIENTO CONTRIBUIRÁ A EVITAR PELIGROS, REDUCIR LOS COSTOS DE REPARACIÓN Y LOS TIEMPOS DE DESCONEXIÓN Y AUMENTAR LA FIABILIDAD Y LA VIDA ÚTIL DEL PRODUCTO.

Sección 1

Información general

Al recibo de la filtro, asegúrese de que no ha sufrido daños en el transporte. Comuníquese de inmediato cualquier daño al transportista.



Este manual contiene información de seguridad de suma importancia que debe ser transmitida al usuario final. El no leer y el no seguir estas instrucciones puede causar lesiones físicas y/o daños materiales.

- Dado que el filtro funciona bajo presión puede causar daños físicos y/o materialísticos cuando no esté bien ensamblado o cuando sea utilizado habiendo aire en el circuito de circulación de agua provocando la destapación de la tapa superior (SM-series) o de la válvula superior (T-series).
- Mantenga las etiquetas de seguridad en buena condición y sustitúyalas en caso de desaparición o cuando estén ilegibles.
- El no utilizar del sistema de filtración o una filtración insuficiente puede dar como resultado agua de mala calidad limitando la visibilidad en la piscina. Así el nadador podría chocar con los objetos difíciles de observar lesionándose gravemente o incluso hundirse.
- Tener en cuenta que el filtro quita material orgánico de la piscina pero que no la desinfecta. El agua en la piscina debe ser limpiada y debe ser equilibrada para obtener agua bien transparente.
- Nunca se puede probar los filtros con aire o gas bajo presión, ni tampoco exponerlos a ello. Todos los gases son comprimibles y bajo presión forman un peligro. El hecho de exponer los filtros a presión de aire o de gas puede causar lesiones físicas y/o daños materiales.
- El uso del filtro con niveles de vacío demasiado altos puede hacer quebrar el barril, causando daños materiales.
- Parar la bomba antes de cambiar la posición de la válvula para evitar daños a la instalación así como para evitar lesiones físicas.
- Siempre controlar los componentes del filtro visualmente durante el mantenimiento normal para asegurar la seguridad estructural del aparato. Sustituya cada componente que esté quebrado, deformado o que muestra cualquier otro defecto. Los componentes defectuosos pueden hacer que la tapa u otros accesorios del filtro sean catapulta dos y causar lesiones físicas y/o daños materiales.

Sección 2

Instalación

La instalación del filtro únicamente debería realizarla personal cualificado y certificado.

El montaje del filtro debe

- Proporcionar protección contra las condiciones climatológicas y la congelación.
- Proporcionar espacio para la iluminación y facilitar el acceso para el mantenimiento rutinario.
- Situarse a un nivel razonable de la superficie y proporcionar un drenaje adecuado.
- Encontrarse tan cerca como sea posible de la piscina para reducir las pérdidas de línea debido a la fricción en la tubería.

Tuberías

- Las tuberías deben cumplir las normas de fontanería y sanitarias locales o del estado.
- Aplique compuesto de sellado de uniones de tuberías o cinta de teflon sobre todas las conexiones macho de las tuberías o accesorios de metal.
- No dañe las superficies de sellado de las uniones y las juntas tóricas.
- Soporte la tubería de forma independiente para evitar tensiones sobre el filtro o la válvula.

Aguas residuales

Asegúrese de que todas las provisiones para el desagüe de aguas residuales cumplan las regulaciones locales o nacionales aplicables. Se descargarán 380 litros (100 galones) o más de agua de la piscina durante la contralavado del filtro. No desagüe en lugares en los que el agua pueda provocar inundaciones o daños.

Instalación del filtro para las versiones de Montaje Superior (T-series)

Montaje: Vea el montaje del lateral en las Figuras 1 a 3.



Figura 1



Figura 2

Después de asegurar todos los laterales en los zócalos, coloque el conjunto sobre el soporte de centrado en la parte inferior del depósito.

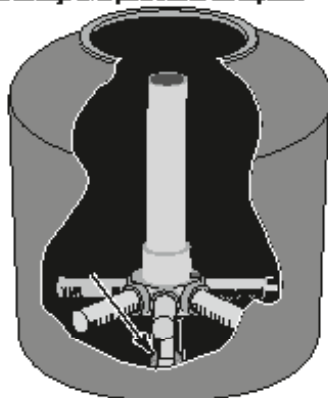


Figura 3

Carga de medios arenosos

1. Para mantener la arena fuera del montaje del colector, sitúe un escudo de arena de plástico sobre la parte superior del tubo colector antes de verter arena dentro del filtro (Vea la Figura 4).
2. Para dar soporte a los laterales y evitar la rotura del lateral durante la carga, llene de agua aproximadamente la mitad del depósito antes de cargar arena.
3. Vierta arena dentro del depósito del filtro. Vea en la etiqueta del producto el tipo y la cantidad de arena adecuados.
4. Retire el escudo de plástico para la carga de arena y guárdelo para volver a utilizarlo en el futuro.

Instalación de la válvula

AVISO: Asegúrese de que la zona superior del depósito esté libre de arena antes de instalar la válvula y la abrazadera.

1. Instale la junta tórica sobre la brida de la válvula; asegúrese de que la junta tórica esté limpia, seca y que no presente muescas, desgarros o raspaduras.
2. Asegúrese de que las bridas del depósito y la válvula estén limpias y no presenten arena; sitúe la válvula sobre el depósito. El tubo vertical del conjunto del colector se introduce en la base de la válvula.
3. Instale la abrazadera. El puerto de la válvula con la etiqueta "PUMP" debería señalar hacia la bomba.
4. Para abrazaderas de plástico: apriete el tornillo hasta que los extremos de la abrazadera (cierre inferior) queden a menos de 6mm (1/4"), golpee ligeramente la abrazadera con un mazo para ayudar a fijarla.
Para abrazaderas de acero inoxidable: apriete el pasador hasta que este bien sujeto



Presión peligrosa. ¡La abrazadera no se sujetará en su lugar a menos que esté bien asentada! NO ARRANQUE LA BOMBA hasta que los extremos de la abrazadera estén separados 6 mm (1/4") o menos.

5. Si la abrazadera no admite un espacio 6 mm (1/4"), espere durante 15-30 minutos y vuelva a apretar. Golpee la abrazadera suavemente con el mazo para que se asiente correctamente.
6. Conecte la tubería desde la descarga de la bomba hasta el puerto de la válvula con la etiqueta "PUMP" y termine todas las conexiones de las tuberías (consulte los requisitos de las tuberías en la sección anterior):
 - A. Tubería desde el puerto RETURN de la válvula hasta el retorno de la piscina.
 - B. Tubería desde el puerto WASTE hasta el desagüe.
 - C. Tubería de succión desde la piscina hasta la entrada de purga.
7. El sistema está preparado para arrancar.

AVISO: Si existen fugas desde debajo de la zona de la válvula/abrazadera, DETENGA LA BOMBA, libere toda la presión, retire la abrazadera y la válvula y limpie las superficies de sellado.

Instalación del filtro para las versiones de Montaje Lateral (SM-series)

Montaje: Vea el montaje del filtro en la Figura 5.

AVISO: Compruebe el ajuste de las tuercas del depósito pueden aflojarse debido a la vibración durante el transporte. Deberían estar apretados a 40 Nm de vuelta.

Carga de medios arenosos

Por favor siga las instrucciones de la versión T-series del punto anterior



Figura 4

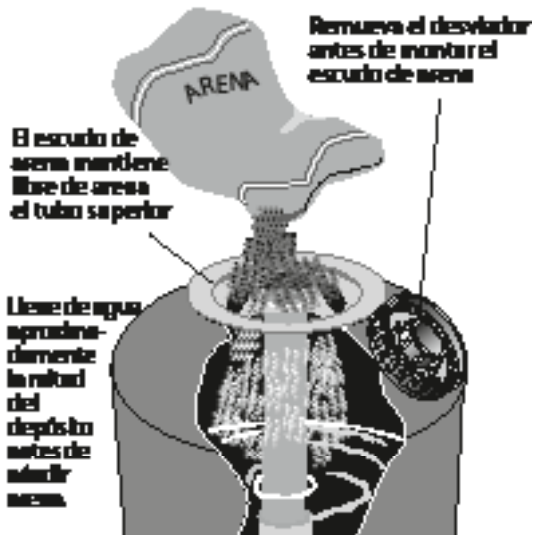


Figura 5

Instalación de la tapa

AVISO: Asegúrese de que la zona superior del depósito esté libre de arena antes de instalar la tapa y la abrazadera.

1. Instale el manómetro y la junta tórica sobre la brida de la tapa; asegúrese de que la junta tórica esté limpia, seca y que no presente muescas, desgarros o raspaduras.
2. Sitúe la tapa sobre el depósito y instale la abrazadera.
3. Para abrazaderas de plástico: apriete el tornillo hasta que los extremos de la abrazadera (cierre inferior) queden a menos de 6mm (1/4"), golpee ligeramente la abrazadera con un mazo para ayudar a fijarla.
Para abrazaderas de acero inoxidable: apriete el pasador hasta que este bien sujeto.



Presión peligrosa. ¡La abrazadera no se sujetará en su lugar a menos que esté bien asentada! NO ARRANQUE LA BOMBA hasta que los extremos de la abrazadera estén separados 6 mm (1/4") o menos.

4. Si la abrazadera no admite un espacio 6 mm (1/4"), espere durante 15-30 minutos y vuelva a apretar. Golpee la abrazadera suavemente con el mazo para que se asiente correctamente.
5. Conecte los puertos de la válvula con las mitades de unión que se facilitan. Monte la unión tal y como se indica a continuación para evitar fugas durante el funcionamiento:
 - A. Las superficies de la junta tórica y de sellado deben estar limpias.
 - B. Monte apretando únicamente con la mano (sin llaves).
 - C. NO aplique un compuesto para tuberías o cinta de teflon sobre las uniones.
6. Termine todas las conexiones de las tuberías (consulte los requisitos de las tuberías en la sección anterior):
 - A. Tubería desde el puerto PUMP de la válvula hasta el retorno de la piscina.
 - B. Tubería desde el puerto RETURN de la válvula hasta el retorno de la piscina.
 - C. Tubería desde el puerto WASTE hasta el desagüe.
 - D. Tubería de succión desde la piscina hasta la entrada de purga.
7. El sistema está preparado para la puesta en funcionamiento.

AVISO: Si existen fugas desde debajo de la zona de la tapa/abrazadera, DETENGA LA BOMBA, libere toda la presión, retire la abrazadera y la válvula y limpie las superficies de sellado.

Instalación/Operación (Vea la Figura 7)



Presión peligrosa. Para evitar la explosión y posibles lesiones graves o fatales, la presión del sistema del filtro no debe superar 3,5 BAR (345 kPa) bajo ninguna circunstancia. No pruebe NUNCA este sistema de filtro con aire comprimido; no haga funcionar nunca el sistema con agua a una temperatura superior a 35° C (95° F).



APAGUE la bomba antes de cambiar la posición de la válvula para evitar daños en el equipo y posibles lesiones.

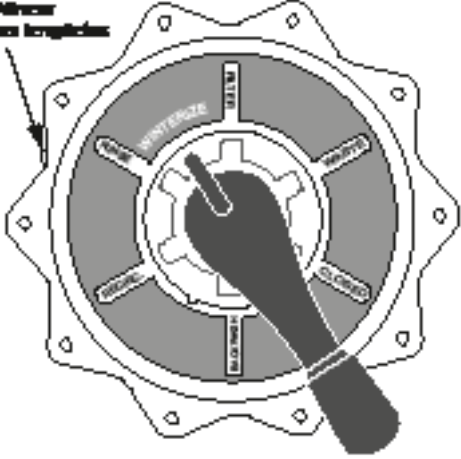
AVISO: No añada productos químicos directamente en la espumadera de la piscina. La adición de productos químicos sin diluir puede dañar el equipo y anular la garantía.

1. Abra las válvulas del sistema y asegúrese de que la bomba esté llena de agua. Asegúrese de que el nivel del agua en la piscina se encuentre 50 mm (2") por encima de la parte inferior de la apertura de la espumadera.
2. Con la bomba APAGADA, establezca la válvula en la posición 'BACKWASH'.
- 3.a. En la versión de Montaje Superior: arranque la bomba, haciendo circular el agua hacia atrás a través del filtro para desaguar. No instale el manómetro hasta que salga una corriente estable de agua del puerto del manómetro; luego detenga la bomba e instale el manómetro.
- 3.b. En el Montaje Lateral: abra el vástago de ventilación de aire y arranque la bomba, haciendo circular una contracorriente de expulsión de agua a través del filtro para desaguar. No cierre el vástago de ventilación de aire hasta que salga una corriente estable de agua del puerto de ventilación de aire; luego cierre el conducto de ventilación.

AVISO: Para evitar que la bomba funcione en seco, asegúrese de que el nivel de agua nunca caiga por debajo de la parte inferior de la entrada de la espumadera. Añada agua a la piscina si es necesario para mantener la espumadera inundada durante la contracorriente de expulsión y enjuague.

4. Expulse contracorriente hasta que el agua corra limpia (3-5 minutos).
5. Detenga la bomba; establezca la válvula en la posición 'RINSE'.
6. Arranque la bomba; hágala funcionar durante un minuto.
7. Detenga la bomba; establezca la válvula en la posición 'FILTER'.
8. El filtro está ahora preparado para funcionar.
9. Registre la lectura inicial del manómetro con el filtro limpio como referencia.
10. Cuando se llene la piscina por primera vez, aplique una contracorriente de expulsión una vez al día hasta que el agua de la piscina esté reluciente. Después de esto, aplique una contracorriente de expulsión cuando el manómetro muestre de 0,3 a 0,5 por encima de la presión de inicio.

Esquema de funciones para la válvula de 6 vías

FILTRACIÓN (FILTER) Filtración normal y barrido; el agua pasa a través del filtro a la piscina.	 <p>Figura 7</p>
ENJUAGUE (RINSE) Para la limpieza de preparación inicial y la nivelación del lecho de arena después de la contracorriente; el agua pasa a través del filtro para desaguar.	
CIRCULACIÓN (RECIRCULATE) Circula agua de la piscina; deriva el filtro.	
DESAGÜE (WASTE) Desciende el nivel de la piscina o drena la piscina; el agua deriva el filtro, y pasa para desaguar.	
LAVADO (BACKWASH) Invierte el flujo para la limpieza; el agua pasa a través del filtro para desaguar.	
CERRADO (CLOSED) Cierra todo el flujo hasta el filtro y la piscina.	
INVIERNO (WINTERIZE) Deja todos los puertos de la válvula abiertos parcialmente para el almacenamiento para el invierno.	

Sección 3

Mantenimiento

General

Lave el exterior del filtro con un detergente suave y agua. Enjuague con una manguera. Inspeccione el lecho de arena al menos una vez al año para retirar las materias extrañas que no hayan salido del sistema con la contracorriente de expulsión.

AVISO: NO utilice disolventes para limpiar el filtro; los disolventes pueden dañar los componentes de plástico del sistema. Cuando el lecho de arena se endurezca y genere una costra en la parte superior, retire la arena antigua y sustitúyala con arena nueva.

Inspección semanal del equipo de la piscina

1. Compruebe la presión durante la operación. Cuando la presión sea de 0,3 a 0,5 Bar superior a la presión de funcionamiento inicial, aplique una contracorriente de expulsión al filtro (consulte las instrucciones en "Instalación/Operación").
2. Salvo en condiciones climáticas calurosas con grandes cantidades de bañistas, de 6 a 12 horas de funcionamiento del filtro deberían ser suficientes. Controle cuidadosamente el equilibrio químico del agua y siga las recomendaciones de su experto en piscinas local.

Mantenimiento del agua

- Mantenga el nivel del agua al menos 50 mm (2") por encima de la parte inferior de la apertura de la espumadera. Si no se hace esto, puede entrar aire en el sistema, lo que provocará que la bomba pueda perder cebado y acceda aire al filtro.
- Mantenga un nivel de pH de 7,2 a 7,6 en la piscina.

Barrido de la piscina

1. Llène la manguera de vacío sumergiéndola en agua de un extremo al otro.
2. Para barrer, introduzca la manguera en el colector de aspiración de la espumadera o en la línea de barrido en la pared de la piscina. Consulte las instrucciones facilitadas por el constructor o el fabricante de la piscina. Arranque la bomba, asegúrese de que esté cebada y bombeando.
3. Después de barrer la piscina, limpie el colector de la bomba para eliminar la suciedad acumulada, luego compruebe el manómetro del filtro. Si la lectura es de 0,3 a 0,5 Bar superior a la presión de funcionamiento inicial, aplique una contracorriente de expulsión al filtro.

Reducir el nivel o drenar la piscina

1. Apague la bomba; establezca el mango de la válvula en 'WASTE'.
2. Utilice la manguera y el cabezal de la barredora.
3. Arranque la bomba; hágala funcionar hasta que el agua de la piscina alcance el nivel deseado.
4. Apague la bomba; establezca el mango de la válvula en 'FILTER'.
5. Arranque la bomba.

Almacenamiento/Preparación para el invierno



Los productos químicos de las piscinas pueden emitir gases corrosivos. Almacene los productos químicos del sistema en una zona bien ventilada.

AVISO:

Si permite que el agua se congele el filtro puede sufrir daños y puede anularse la garantía. Si se requiere un anticongelante, utilice propilenglicol; es compatible con el plástico y no es tóxico. Siga las instrucciones de los fabricantes. No utilice anticongelantes basados en etilenglicol – es un producto tóxico y puede dañar los componentes de plástico.

1. Abra todas las válvulas del sistema. Establezca la válvula multipuerto en 'WINTERIZE' para permitir el flujo de aire a todos los puertos.
2. Retire el tapón de drenaje del filtro y drene por completo el depósito del filtro y sustituya el tapón de drenaje.
3. Cubra con plástico o lona impermeable para proteger de la congelación, pero no impida la circulación del aire.

Preparación del equipo protegido para pasar el invierno

1. Retire cualquier protección temporal para el clima que se encuentre alrededor del sistema durante el periodo de inactividad
2. Consulte "Instalación" si desea ver las instrucciones de reactivación del filtro.
3. Inspeccione todo el cableado eléctrico hasta la bomba para detectar si se han producido daños o deterioros durante el periodo de inactividad. Haga que un técnico de servicio cualificado repare/sustituya el cableado, si es necesario. Inspeccione y apriete todas las conexiones estancas.
4. Abra todas las válvulas en las tuberías de aspiración y retorno.
5. Elimine todos los tapones de protección para el invierno del sistema.
6. Drene todos los productos químicos de protección para el invierno (si se emplean) del sistema; enjuague el sistema.
7. Cierre todas las válvulas de drenaje y sustituya todos los tapones de drenaje en el sistema (vea la Figura).
8. Rellene la piscina con agua hasta el nivel adecuado (consulte las instrucciones del fabricante de la piscina).

Sección 4

Guía de localización de averías

1. Ciclo corto entre contracorrientes de extracción:

- A. Caudal excesivamente alto o filtro demasiado pequeño; consulte con su distribuidor las recomendaciones de dimensionamiento del sistema.
- B. El agua presenta un desequilibrio químico; consulte el problema con el técnico de servicio.
- C. Exceso de suciedad/polvo en la piscina; realice un barrido de la piscina directamente para desaguar.
- D. Acumulación de aceite/loción corporal en el filtro; consulte con el distribuidor los productos de limpieza del filtro y siga las instrucciones del fabricante del limpiador.

AVISO:

El tiempo entre contracorrientes de extracción variará en cada instalación y en cada zona del país. Pida información a su instalador sobre los intervalos normales entre contracorriente en su zona. A continuación se indican causas y soluciones para unos tiempos de ciclo más cortos de lo normal en su zona

- E. El filtro no se limpia correctamente con la contracorriente de extracción. Consulte las instrucciones en la sección "Instalación/Operación".
- F. Algas en la piscina. Consulte con el especialista en piscinas cuál es el mantenimiento químico adecuado.
- G. Nivel residual de cloro excesivamente bajo. Consulte con el especialista en piscinas cuál es el mantenimiento químico adecuado.
- H. Inspeccione si la arena del filtro presenta solidificación debido al polvo, calcio, cremas para la piel o lociones bronceadoras.



**Presión peligrosa.
Puede provocar lesiones graves o daños materiales importantes debido a la explosión del depósito.**

Libere toda la presión y lea las instrucciones antes de trabajar en el filtro.

2. Caudal bajo:

- A. Tubería bloqueada aguas abajo del filtro; retire la obstrucción.
- B. Tubería excesivamente pequeña; utilice una tubería más grande (consulte las dimensiones con el distribuidor).
- C. Bomba obstruida; cabello obstruido y colector de hilachas o cesta de la espuma obstruida. Limpie en profundidad.

3. Agua turbia en la piscina:

- A. El agua presenta un desequilibrio químico; consulte el problema con un experto en piscinas.
- B. El filtro es excesivamente pequeño; consulte con el distribuidor el dimensionamiento del equipo.
- C. La presencia de arena en la piscina implica que hay un lateral roto. Drene el agua y la arena del depósito. Retire la válvula; siga el procedimiento que se indica en la sección "Instalación del filtro", y las instrucciones con el nuevo lateral para sustituir la pieza rota.

Contenuti

Importanti precauzioni di sicurezza	33
Sezione 1: Informazioni generali	34
Sezione 2: Installazione	34
Montaggio filtro/Condutture	35
Regolazione filtro	35
<i>Per T-series (con montaggio dall'alto)</i>	36
<i>Per SM-series (con montaggio laterale)</i>	36
Avvio/utilizzo	36
Lo schema di funzione della valvola a 6 vie	37
Sezione 3: Manutenzione	37
Manutenzione acqua	38
Conservazione/Preparazione per l'inverno	38
Sezione 4: Risoluzione dei problemi	38
Sezione 5: Dati tecnici	40
Schema ricambi	40
<i>Per T-series</i>	40
<i>Per SM-series</i>	41

Assistenza clienti

HERENTALS, BELGIO (dalle 8:30 A.M. alle 4:30 P.M.) CET

Telefono: + 32 (0) 14 25 99 11

Sito Web: www.pentairpooleurope.com

Dichiarazione di conformità

Dichiariamo, sotto la nostra esclusiva responsabilità, che i prodotti identificati in questa dichiarazione e a cui in essa viene fatto riferimento, sono conformi ai requisiti di protezione della Direttiva del Consiglio 98/37/EEG.

Il fabbricante, Pentair Water Belgium N.V., ha il diritto di modificare i prodotti senza previo avviso a patto che le loro caratteristiche non vengano cambiate sostanzialmente.

© 2009 Pentair Water Pool Inc. Tutti i diritti riservati. Il presente documento è soggetto a modifiche senza preavviso.

Informazioni legali e note sui marchi: Cristal-Flo™ e Sta-Rite™ sono marchi e/o marchi registrati di Pentair Water Pool Inc. e/o delle compagnie consociate.

PRECAUZIONI IMPORTANTI PER LA SICUREZZA

LE PRESENTI ISTRUZIONI PER L'USO CONTENGONO IMPORTANTI INFORMAZIONI PER UN FUNZIONAMENTO SICURO, APPROPRIATO ED ECONOMICO DELLE POMPE PER PISCINA. OSSERVARE SCRUPolosAMENTE LE ISTRUZIONI PER L'USO PERMETTE DI EVITARE PERICOLI, RIDURRE I COSTI DI RIPARAZIONE ED I PERIODI DI INOPERATIVITÀ E AUMENTARE L'AFFIDABILITÀ E LA DURATA DEL PRODOTTO.

Sezione 1

Informazioni generali

Controllare il filtro al momento del ricevimento per verificare eventuali perdite e danni dovuti al trasporto. In caso di danneggiamenti, comunicarli immediatamente al trasportatore.



Questo manuale contiene importantissime informazioni di sicurezza che devono essere fornite all'utente finale. Le presenti istruzioni devono essere lette e seguite attentamente; il mancato rispetto delle stesse può causare gravi danni alle persone e/o all'attrezzatura.

- Questo filtro lavora sotto pressione, un assemblaggio scorretto o l'infiltrazione di aria nel sistema di circolazione dell'acqua potrebbero causare il distacco del coperchio (SM-series) or valvola superiore (T-series) e di conseguenza provocare gravi danni all'attrezzatura e/o alle persone.
- Controllare che le etichette di sicurezza rimangano in buono stato e sostituirle nel caso si siano staccate o sono diventate illeggibili.
- Il mancato funzionamento del sistema o una filtrazione inadeguata possono rendere l'acqua della piscina torbida riducendone la visibilità e aumentando i rischi di tuffarsi su oggetti non visibili, il che può causare gravi danni alle persone, fino all'annegamento.
- Ricordarsi che il filtro rimuove la materia organica ma non purifica la piscina. Per avere acqua chiara e pulita questa deve essere purificata ed equilibrata.
- I filtri non devono mai essere testati o sottoposti ad aria o gas sotto pressione. Tutti i gas sono comprimibili e, sotto pressione, sono pericolosi. Se il filtro viene esposto a pressione d'aria o gas, c'è il rischio di gravi danni alle persone e/o all'attrezzatura.
- Il funzionamento a livelli di vuoto eccessivi può causare la rottura del serbatoio e gravi danni all'attrezzatura.
- Per evitare danni all'attrezzatura e alle persone, spegnere sempre il filtro prima di cambiare la posizione della valvola.
- Controllare sempre i componenti del filtro durante la manutenzione ordinaria al fine di assicurare la sicurezza strutturale del dispositivo. Sostituire gli eventuali pezzi rotti, deformati o apparentemente difettosi. I componenti difettosi potrebbero far saltare la parte superiore o i pezzi a corredo del filtro e ciò potrebbe causare gravi danni alle persone o all'attrezzatura.

Sezione 2

Installazione

L'installazione del filtro deve essere eseguita esclusivamente da personale qualificato e con adeguata licenza.

Posto, dove il filtro è assemblato, deve

- Fornire protezione da intemperie e congelamento.
- Fornire spazio e illuminazione per l'accessibilità per la manutenzione di routine.
- Trovarsi su una superficie sufficientemente piana e fornire un drenaggio adeguato.
- Essere il più vicino possibile alla piscina per ridurre la perdita della linea dovuta all'attrito del tubo.

Tubatura:

- la tubatura deve essere conforme alle norme locali/nazionali per l'idraulica e alle norme sanitarie.
- Utilizzare gruppi di tenuta per i raccordi o nastro in teflon sui giunti maschi dei tubi e dei raccordi metallici
- Non danneggiare le superfici di tenuta o gli anelli di tenuta.
- Utilizzare supporti indipendenti per i tubi per evitare sollecitazioni eccessive su filtro o valvola.

Acqua di scarico

Assicurarsi di provvedere allo smaltimento dell'acqua di scarico secondo le norme locali e nazionali vigenti. Durante il lavaggio del filtro vengono scaricati 380 litri (100 galloni) o più di acqua della piscina. Non scaricare l'acqua dove possa creare inondazione o danni.



Figura 1

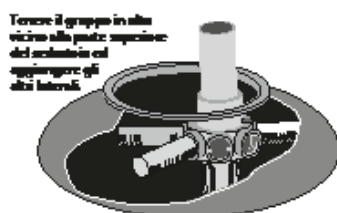


Figura 2

Dopo avere inserito i laterali nelle prese, collocare il gruppo sulla scansatura di centraggio in fondo al serbatoio.

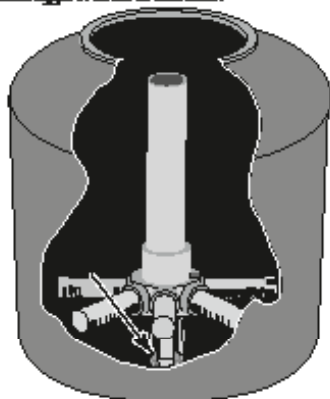


Figura 3

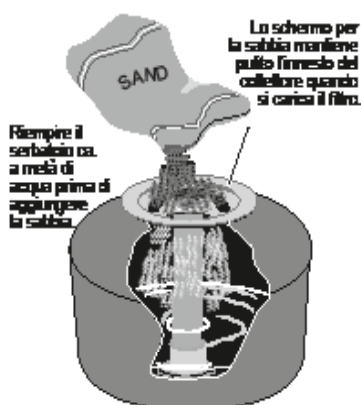


Figura 4

Impostazione del filtro per le versioni con montaggio dall'alto (T-series)

Montaggio: Vedere le figure da 1 a 3 per il montaggio dei laterali.

Caricare la sabbia

1. Per mantenere la sabbia fuori dal gruppo del collettore, inserire uno schermo in plastica sulla parte superiore del tubo prima di versare la sabbia nel filtro (v. figura 4).
2. Per sostenere i lati e prevenire danni laterali al carico, riempire il serbatoio per metà di acqua prima di caricare la sabbia.
3. Versare la sabbia nel serbatoio del filtro. Vedere la l'etichetta per il tipo e la quantità di sabbia corretta.
4. Rimuovere lo schermo in plastica per il carico della sabbia e conservarlo per riutilizzarlo in futuro.

Installazione della valvola

AVVERTENZA: Assicurarsi che non ci sia sabbia nell'area della guarnizione nella parte superiore del serbatoio prima di installare valvola e morsetto.

1. Installare l'anello di tenuta sulla flangia della valvola; assicurarsi che l'anello di tenuta sia pulito, asciutto e non presenti scalfiture, strappi o ammaccature.
2. Assicurarsi che le flange del serbatoio e della valvola siano pulite e libere da sabbia; installare la valvola nella parte superiore del serbatoio. Il tubo verticale del gruppo del collettore si inserisce nella base della valvola.
3. Installare il morsetto. La porta della valvola contrassegnata come "POMPA" dovrebbe essere rivolta verso la pompa.
4. Per morsetti in plastica: stringere le viti di serraggio fino a che le estremità del morsetto (sotto il dado) siano a meno di 6 mm l'una dall'altra. Martellare intorno al morsetto affinché si posizioni correttamente nella sede. Per morsetti in acciaio: serrare la testata fino a che il morsetto sia saldamente fissato.



Pressione pericolosa. Il morsetto non tiene se non è installato correttamente! NON AVVIARE LA POMPA finché le estremità non sono a una distanza di 1/4" (6mm) o inferiore.

5. Se il morsetto non viene stretto a 6mm (1/4"), attendere 15-30 minuti e stringerlo nuovamente. Picchiettare gentilmente sul morsetto con un martello per consentirne un miglior posizionamento.
6. Collegare il tubo dallo scarico della pompa alla porta della valvola contrassegnata come "POMPA" e completare tutti i collegamenti idraulici (vedere la sezione precedente per i requisiti delle condutture):
 - A. Tubo dalla valvola dalla porta RITORNO al ritorno della piscina.
 - B. Tubo dalla porta di SCARICO valvola allo scarico.
 - C. Condutture di aspirazione dalla piscina all'ingresso della scatola sulla pompa.
7. Il sistema è pronto per l'avvio.

AVVERTENZA: Se ci sono predite da sotto la valvola/il morsetto, ARRESTARE LA POMPA, eliminare la pressione, rimuovere morsetto e valvola e pulire le superfici di tenuta.

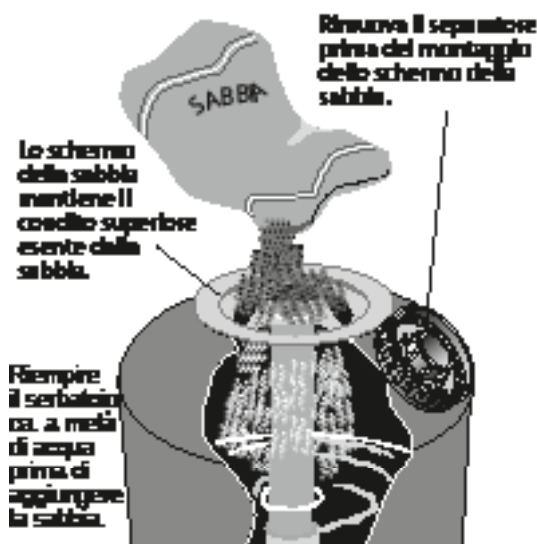


Figura 5

2. Appoggiare il coperchio sul serbatoio e installare il morsetto.
3. Per morsetti in plastica: stringere le viti di serraggio fino a che le estremità del morsetto (sotto il dado) siano a meno di 6 mm l'una dall'altra. Martellare intorno al morsetto affinché si posizioni correttamente nella sede.

Per morsetti in acciaio: serrare la testata fino a che il morsetto sia saldamente fissato.



Pressione pericolosa. Il morsetto non tiene se non è installato correttamente! NON AVVIARE LA POMPA finché le estremità non sono a una distanza di 6mm (1/4") o inferiore.

4. Se il morsetto non viene stretto a 6mm (1/4"), attendere 15-30 minuti e stringerlo nuovamente. Picchiettare leggermente con un martello per posizionarlo correttamente.
5. Collegare le porte della valvola con le metà fornite. Montare le metà di unione come indicato per evitare perdite durante l'utilizzo:
 - A. Superfici isolanti e anello di tenuta devono essere puliti.
 - B. Assemblare stringendo manualmente (niente utensili).
 - C. NON utilizzare sezioni di tubo o nastro in teflon sui giunti.
6. Completare tutti i collegamenti idraulici (vedere la sezione precedente per i requisiti delle condutture):
 - A. Tubo dalla valvola dalla porta della POMPA al ritorno della piscina.
 - A. Tubo dalla porta di RITORNO della valvola al ritorno della piscina.
 - C. Tubo dalla porta di SCARICO valvola allo scarico.
 - D. Condotture di aspirazione dalla piscina all'ingresso della scatola sulla pompa.
8. Il sistema è pronto per l'avvio.

AVVERTENZA: Se ci sono predite da sotto il coperchio/morsetto, **ARRESTARE LA POMPA**, eliminare la pressione, rimuovere morsetto e valvola e pulire le superfici di tenuta.

Avvio/Utilizzo (vedere figura 7)



Pressione pericolosa. Per evitare esplosione e possibili lesioni gravi o fatali, la pressione del sistema del filtro non deve superare 3,5 BAR (345 kPa) in nessun caso. Non testare MAI questo sistema filtrante con aria compressa; non utilizzare mai il sistema con acqua a temperatura superiore a 35° C (98° F).



Per evitare danni al dispositivo e alle persone, SPEGNERE la pompa prima di modificare la posizione della valvola.

AVVERTENZA: Non aggiungere sostanze chimiche direttamente nello skimmer. L'aggiunta di prodotti chimici non diluiti potrebbe danneggiare l'apparecchiatura ed invalidare la garanzia.

1. Aprire le valvole del sistema e assicurarsi di riempire la pompa con acqua. Assicurarsi che l'acqua della piscina abbia un livello di 50 mm (2") sopra la parte inferiore dell'apertura dello skimmer.
2. Con la pompa su OFF, impostare la valvola in posizione 'BACKWASH' (controlavaggio).
- 3.a. Per a versione con montaggio dall'alto: avviare la pompa, far circolare l'acqua in senso contrario dal filtro allo scarico. Non installare un indicatore di pressione finché non si raggiunge un flusso d'acqua adeguato in uscita dalla porta dell'indicatore; arrestare la pompa ed installare l'indicatore.

- 3.b. Montaggio anteriore: Aprire lo stelo dello sfiato e avviare la pompa, facendo eseguire un controlavaggio attraverso il filtro fino allo scarico. Non chiudere lo sfiato finché dalla porta dello sfiato aria non passa un flusso di acqua sufficiente, poi chiudere lo sfiato.

AVVERTENZA: Per evitare che la pompa marci a secco, assicurarsi che il livello dell'acqua non scenda mai sotto l'ingresso dello skimmer. Aggiungere acqua alla piscina se necessario per mantenere lo skimmer inondato mentre si eseguono lavaggio e risciacquo.

4. Eseguire il controlavaggio finché l'acqua non è chiara (3-5 minuti).
5. Con la pompa su OFF, impostare la valvola in posizione 'RINSE' (risciacquo).
6. Avviare la pompa; lasciarla in marcia per un minuto.
7. Con la pompa su OFF, impostare la valvola in posizione 'FILTER?' (filtro).
8. Adesso il filtro è pronto all'uso.
9. Registrare la lettura della pressione di avvio del filtro pulito come riferimento.
10. Quando si riempie per la prima volta la piscina, eseguire un controlavaggio una volta al giorno finché l'acqua della piscina non è chiara. In seguito, eseguire i lavaggi quando l'indicatore di pressione supera da 5 a 7 PSI (34,5 - 48 kPa) la pressione di avvio.

Lo schema di funzione della valvola a 6 vie

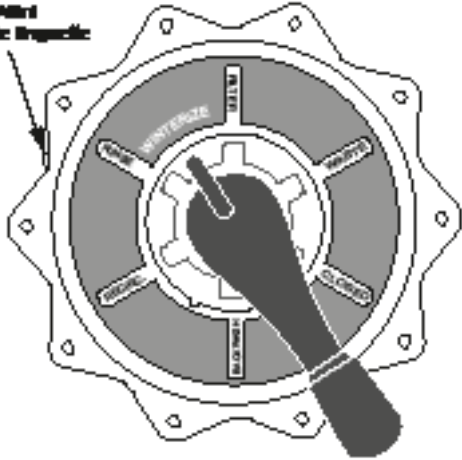
FILTRAZIONE (FILTER) Filtraggio e aspirazione normale, l'acqua va dal filtro alla piscina.	
RISCIACQUO (RINSE) Per la pulizia al primo avvio e per livellare lo strato di sabbia dopo il contro lavaggio; l'acqua va dal filtro allo scarico.	
RICIRCOLO (RECIRCULATE) Ricircolo dell'acqua della piscina, non passa dal filtro.	
SCARICO (WASTE) Abbassa il livello della piscina o la svuota, l'acqua non passa dal filtro ma va allo scarico.	
CONTROLAVAGGIO (BACKWASH) Inverte il flusso per il lavaggio; l'acqua va dal filtro allo scarico.	
CHIUSO (CLOSED) Scollega il flusso al filtro e alla piscina.	
INVERNO (WINTERIZE) Lascia tutte le porte delle valvole parzialmente aperte per la pausa invernale.	

Figura 7

Sezione 3

Manutenzione

Generale

Lavare la parte esterna del filtro con un detergente delicato e acqua. Sciacquare con una manichetta. Ispezionare lo strato di sabbia una volta l'anno per rimuovere i materiali estranei non rimossi con il controlavaggio del sistema.

AVVERTENZA: NON utilizzare solventi per pulire il filtro: possono danneggiare i componenti in plastica del sistema. Quando lo strato di sabbia si indurisce e forma una crosta superficiale, rimuovere la sabbia e sostituirla con sabbia pulita.

Ispezione settimanale dell'impianto della piscina

1. Controllare la pressione di esercizio. Se la pressione da 0,3 a 0,5 Bar superiore rispetto alla pressione iniziale di esercizio, eseguire il controlavaggio del filtro (vedere le istruzioni in "Avvio/utilizzo").
2. Dovrebbe essere sufficiente utilizzare il filtro per 6-12 ore al giorno, ad eccezione dei periodi caldi con aumento di carico per lo skimmer. Controllare attentamente il rapporto di sostanze chimiche nell'acqua secondo le indicazioni del proprio esperto per la piscina.

Manutenzione acqua

- Mantenere il livello dell'acqua almeno 50mm (2") sopra il fondo dell'apertura dello skimmer. In caso contrario potrebbe penetrare aria nel sistema, con perdita di impulso della pompa e aria nel filtro.
- Mantenere il PH a 7.2 - 7.6 nella piscina.

Aspirazione piscina

1. Riempire il tubo di aspirazione immergendolo in acqua da un capo all'altro.
2. Per aspirare, inserire il tubo nel manicotto di aspirazione dello skimmer o nella linea di aspirazione della parete della piscina. Vedere le istruzioni fornite dal costruttore o produttore della piscina. Avviare la pompa controllando l'adescamento ed il pompaggio.
3. Dopo l'aspirazione, pulire la scatola della pompa e rimuovere i detriti accumulati, poi controllare l'indicatore di pressione del filtro. Se la lettura è superiore a 0,3 a 0,5 Bar rispetto alla pressione iniziale, eseguire il controllo del filtro.

Abbassare o svuotare la piscina

1. Mettere la pompa su 'OFF'; spostare la manopola della valvola sulla posizione di scarico 'WASTE'
2. Utilizzare il tubo e la testa dell'aspiratore.
3. Avviare la pompa; mantenere in funzione finché si raggiunge il livello desiderato.
4. Mettere la pompa su 'OFF'; portare la maniglia della valvola in posizione di filtraggio, 'FILTER'.
5. Avviare la pompa.

Conservazione/Preparazione per l'inverno



Le sostanze chimiche utilizzate nella piscina possono produrre vapori corrosivi. Conservarle lontano dal sistema in un'area ben aerata.

AVVERTENZA:

Il congelamento dell'acqua danneggia il filtro e rende nulla la garanzia. Se occorre utilizzare un antigelo, utilizzare il propilene glicole; è compatibile con la plastica e non è tossico. Seguire le istruzioni del produttore. Non utilizzare antigelo a base di etilene glicole: è tossico e può danneggiare i componenti in plastica.

1. Aprire tutte le valvole del sistema. Impostare la valvola multiporta su 'WINTERIZE' per permettere il passaggio da tutte le porte.
2. Rimuovere il tappo dello scarico dal filtro e scaricare completamente il serbatoio del filtro e ricollocare il tappo.
3. Coprire il filtro per proteggere dal congelamento, ma non impedire il ricircolo di aria.
4. Proteggere dal congelamento.

Avvio di apparecchiatura dopo la predisposizione invernale

1. Rimuovere tutte le protezioni temporanee contro le intemperie inserite intorno al sistema per bloccarlo.
2. Vedere "Avvio" per la riattivazione del filtro.
3. Ispezionare tutti i collegamenti elettrici alla pompa per controllare che non si siano verificati danni o deterioramento durante l'arresto. Fare eseguire le eventuali riparazioni/sostituzioni da personale specializzato. Ispezionare e serrare tutti i raccordi in tenuta.
4. Aprire tutte le valvole nei tubi di aspirazione e ritorno.
5. Rimuovere tutti i tappi per l'arresto invernale dal sistema.
6. Scaricare tutti i prodotti chimici (se utilizzati) impiegati per l'arresto invernale; lavare il sistema.
7. Chiudere e scaricare le valvole e sostituire tutti i tappi del sistema.
8. Riempire d'acqua la piscina al livello adeguato (vedere le istruzioni del produttore della piscina).

Sezione 4

Guida di soluzione dei problemi

1. Corto circuito tra controlavaggi:

- A. Il flusso è eccessivo o il filtro troppo piccolo; consultare il rivenditore per consigli sul ridimensionamento del sistema.
- B. Sbilanciamento chimico dell'acqua; consultare l'assistenza della piscina.
- C. Eccesso di polvere/sporco nella piscina; aspirare direttamente nello scarico.
- D. Lozioni/oli grassi intasano il filtro; consultare il rivenditore per un detergente chimico per il filtro e seguire le istruzioni del produttore.

AVVERTENZA: L'intervallo tra i controlavaggi varia per ogni installazione e tra le diverse aree di un paese. Chiedere all'installatore quali sono i normali intervalli nella propria zona. Le cause ed i rimedi seguenti riguardano cicli con tempi inferiori ai normali intervalli della propria area.

- E. Controlavaggio del filtro inefficace. Vedere le istruzioni nella sezione "Avvio/Utilizzo".
- F. Alghe nella piscina. Consultare un esperto per consigli su u trattamento chimico adeguato.
- G. Livello di cloro residuo troppo basso. Consultare un esperto per consigli su u trattamento chimico adeguato.
- H. Ispezionare il filtro a sabbia per solidificazione causata da polvere, calcio, oli o lozioni solari.

WARNING



Pressione pericolosa.
Può causare gravi danni a cose e persone per esplosione del serbatoio.

Depressurizzare completamente e leggere le istruzioni prima di intervenire sul filtro.

2. Flusso scarso:

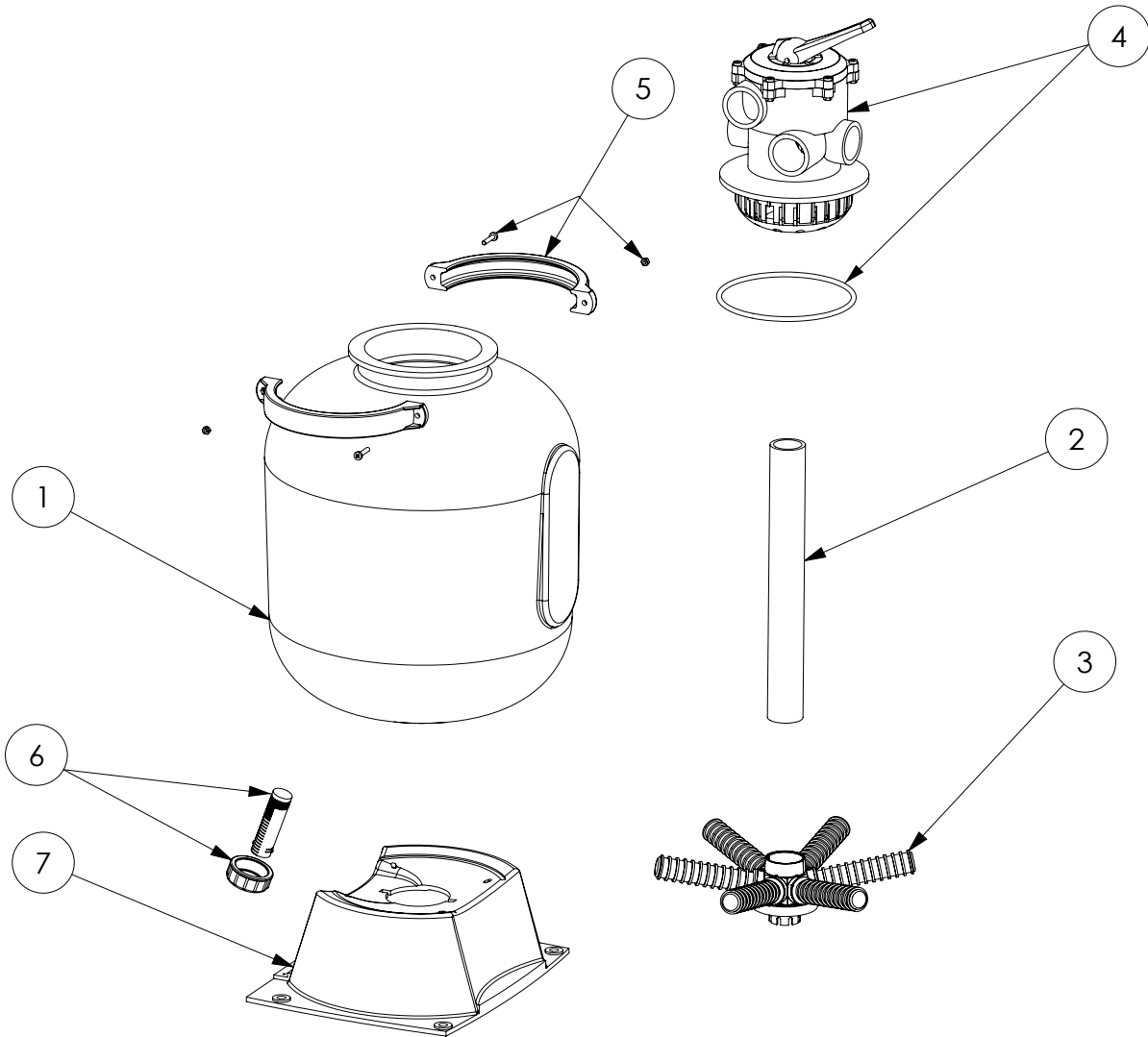
- A. Tubo bloccato a valle del filtro; rimuovere l'ostruzione.
- B. Tubo troppo piccolo; utilizzare un tubo più grande
- C. Pompa bloccata; prefiltro o cestello dello skimmer bloccati.
Pulire con cura.

3. Acqua della piscina sporca:

- A. Sbilanciamento chimico dell'acqua; consultare l'assistenza della piscina.
- B. Filtro troppo piccolo; consultare il rivenditore per la sostituzione.
- C. Presenza di sabbia nella piscina che indica una rottura del pannello laterale. Eliminare acqua e sabbia dal serbatoio. Seguire la procedura della sezione "impostazione filtro", e le istruzioni per la sostituzione della parte danneggiata.

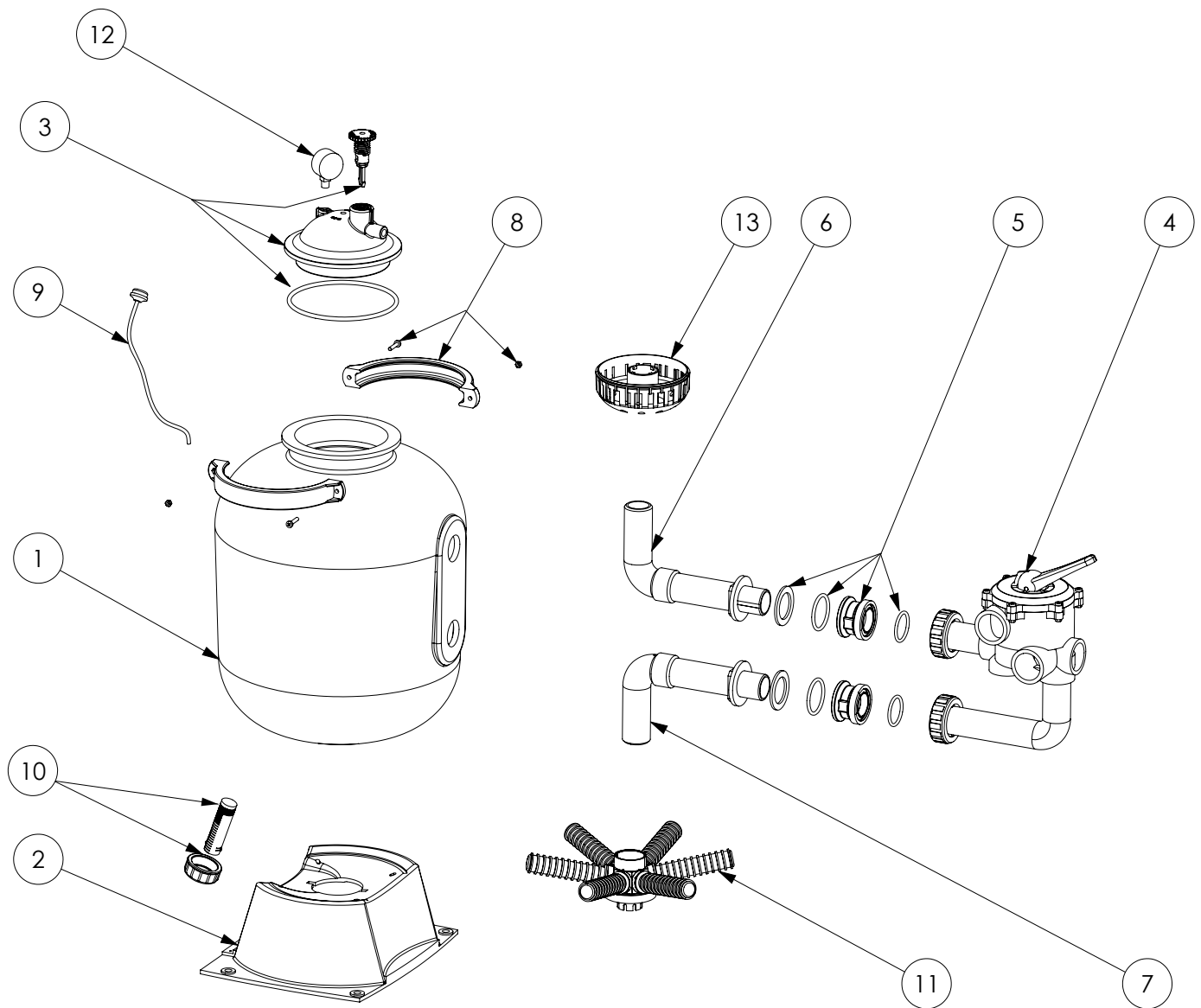
TECHNICAL DATA – TECHNISCHE DATEN - TECHNISCHE GEGEVENS – DONNÉES TECHNIQUES - DATOS TÉCNICOS – DATI TECNICI

REPAIR PARTS
FOR T-SERIES



Item N°	Description	N° Used	Model				
			T-380	T-430	T-500	T-600	T-760
1	Shell	1	N/A	N/A	N/A	N/A	N/A
2	Collector hub assy.	1	24200-MSS6	24201-MSS6	24203-MSS6	24204-MSS6	24205-0010
3	Lateral	6	G-30-1904	G-30-2404	G-30-2404	G-30-3004	21180-0100
4	6-way valve + o'ring	1	X14965-50TM	X14965-50TM	X14965-50TM	X14965-50TM	14965-TM20
5	Clamp + screws	1	50194	50194	50194	50194	50194
	Metal clamp	1	WC19-87A	WC19-87A	WC19-87A	WC19-87A	WC19-87A
	Knob	1	WC36-22	WC36-22	WC36-22	WC36-22	WC36-22
6	Drain set	1	14965-0025S	14965-0025S	14965-0025S	14965-0025S	14965-0025S
7	Base	1	23910-0005	23910-0005	23910-0005	23900-0105	23900-0205

REPAIR PARTS
FOR SM-SERIES



Item N°	Description	N° Used	SM-430	Model SM-500	SM-600
1	Shell	1	N/A	N/A	N/A
2	Base	1	23910-0005	23910-0005	23910-0005
3	Lid + vent + o'ring	1	24206-002S	24206-002S	24206-002S
4	6-way valve + o'ring	1	E-26-1069ND	E-26-1069ND	E-26-1069ND
5	Bulkhead + o'rings	2	G-28-1006AS	G-28-1006AS	G-28-1006AS
6	Upper piping	1	G-TT-UP17	G-TT-UP20	G-TT-UP24
7	Lower piping	1	G-TT-LP17S	G-TT-LP20S	G-TT-LP24S
8	Clamp + screws	1	50194	50194	50194
	Metal clamp	1	WC19-87A	WC19-87A	WC19-87A
	Knob	1	WC36-22	WC36-22	WC36-22
9	Air relief tube	1	G-28-1015/17S	G-28-1015/20S	G-28-1015/24S
10	Drain set	1	14965-0025S	14965-0025S	14965-0025S
11	Lateral	6	G-30-2404	G-30-2404	G-30-3004
12	Pressure gauge	1	G-15-2047	G-15-2047	G-15-2047
13	Diverter assy	1	81164A-0013BOT	81164A-0013BOT	81164A-0013BOT

NOTES

NOTES



Copyright - Limited License : Except as specifically permitted herein, no portion of the content on this document may be reproduced in any form or by any mean without the prior written permission of Pentair International SRL.

Copyright – Eingeschränkte Lizenz : Soweit hierin nicht ausdrücklich zugelassen, dürfen die Inhalte dieses Dokuments ohne vorausgehende schriftliche Genehmigung der Pentair International SRL weder ganz noch auszugsweise und in gleich welcher Form und mit welchen Mitteln vervielfältigt werden.

Copyright – Beperkte licentie : Behalve zoals hierin specifiek toegestaan, mag geen enkel deel van de inhoud van dit document op om het even welke manier of hoe dan ook gereproduceerd worden zonder de voorafgaande schriftelijke toestemming van Pentair International SRL.

Copyright – Licence limitée :Sauf expressément autorisé ci-après, aucune partie du contenu de ce document ne peut être reproduite sous toute forme ou par tout moyen sans la permission écrite préalable de Pentair International SRL.

Copyright – Licencia limitada :Salvo en lo expresamente permitido en el presente documento, se prohíbe la reproducción total o parcial del mismo por cualquier medio sin la previa autorización por escrito de Pentair International SRL.

Copyright – Licenza limitata :Se non indicato specificatamente di seguito, nessuna porzione del contenuto di questo documento può essere riprodotta in qualsiasi forma o con qualsiasi mezzo senza preventiva autorizzazione scritta di Pentair International SRL.