

HIGH SPEED SAND FILTERS
FILTRES À SABLE RAPIDE
FILTRI A SILEX DE ALTA VELOCIDAD
FILTROS A SABBIA AD ALTA VELOCITÁ
SANDFILTER
FILTROS DE AREIA DE ALTA VELOCIDADE



INSTALLATION AND MAINTENANCE MANUAL
MANUEL D'INSTALLATION ET D'ENTRETIEN
MANUAL DE INSTALACIÓN Y MANTENIMIENTO
MANUALE DI INSTALAZIONE E MANUTENZIONE
EINBAU-UND BETRIEBSANLEITUNG
MANUAL DE INSTRUÇÕES E MANUTENÇÃO

ENGLISH

IMPORTANT: The instruction manual you are holding includes essential information on the safety measures to be implemented for installation and start-up. Therefore, the installer as well as the user must read the instructions before beginning installation and start-up.
Keep this manual for future reference.

To achieve optimum performance of the Filter, follow the instructions provided below:

What happens to the water in your pool?

This should be a question of prime consideration for all pool owners. In the past some pools did not use filtering systems, the owner was faced with the problem of refilling the pool with clean water when this became necessary. Refilling the pool was laborious, meanwhile the owner had an unsanitary pool with unpleasant bathing owing to the poor clarity of the water. Today pool owners demand absolute hygiene, crystal clear water and economy of effort. These objectives are achieved by effective filtration and chemical treatment of the pool water.

After filling the pool with clean water in the summer, two basic factors can take place due to the exposure of water to the sun and the air.

- 1.-Biological contamination. The water is contaminated by micro-organisms which may be airborne or introduced by bathers. These parasites reproduce rapidly in still warm water and algae may form giving a greenish appearance to the pool water.
- 2.-Rainfall and wind may introduce dust, with leaves and seeds which muddy and pollute the pool water. These two factors generate in little time an unsanitary swimming pool and unpleasant bathing.

Solutions to the problem:

1.-"CHEMICAL" TREATMENT

Maintain the correct level of sanitiser (chlorine, bromine, oxygen...) in the water to combat existing micro-organisms by its disinfecting action.

As chlorine is the more common method, it will be taken as the reference point.

2.-"PHYSICAL" TREATMENT

Provide the pool with a filtration system (filter and pump) to remove suspended particles from the water.

PH LEVEL

The pH level is an indicator of acidity or alkalinity present in the water. The neutral value is 7.0 a pH of 0-7 means levels of acidity whilst 7-14 gives levels of alkalinity. The pool usual readings vary between 6.8 and 8.4.

Why pH is important?

"THE IDEAL PH VALUE IN A POOL SHOULD BE BETWEEN 7.2 AND 7.6".

As previously stated, sufficient residual chlorine must exist in the pool to destroy unwanted micro-organisms, in fact the chlorine will only act as a bactericide when the pool water has a pH of between 7.2 and 7.6.

There are other reasons which call for a correct pH level: Once above 7.6, calcium in the pool will precipitate to a visible cloudy form (accentuated in hard water areas).

This gives a milky appearance to the water, and hinders the filtering, deposits may also appear on the pool walls and fittings.

Once the pH level falls below 7.0 the pool water becomes corrosive causing eye irritation and affecting mucous membranes. There is also a long term threat to metallic parts in the pool.

The quality of the pool water is highly dependent on maintaining the correct pH level.

CHLORINE

Standards for the amount of residual (free) chlorine in the pool water may vary from country to country, depending on health authority regulations. Typical legal requirements are between 0.2 and 0.6 parts per million, (i.e. 0.2-0.6 milligrams per litre).

What is understood by free or residual chlorine?

Even after the filtering process, certain bacteria remains to be destroyed by the disinfecting action of the chlorine which is usually acting on the bacteria in the form of hypochlorous acid.

A quantity of chlorine that is added to the water (in excess of that needed to destroy bacteria and oxidize organic material) remains free to combat new bacteria introduced by bathers or atmospheric agents.

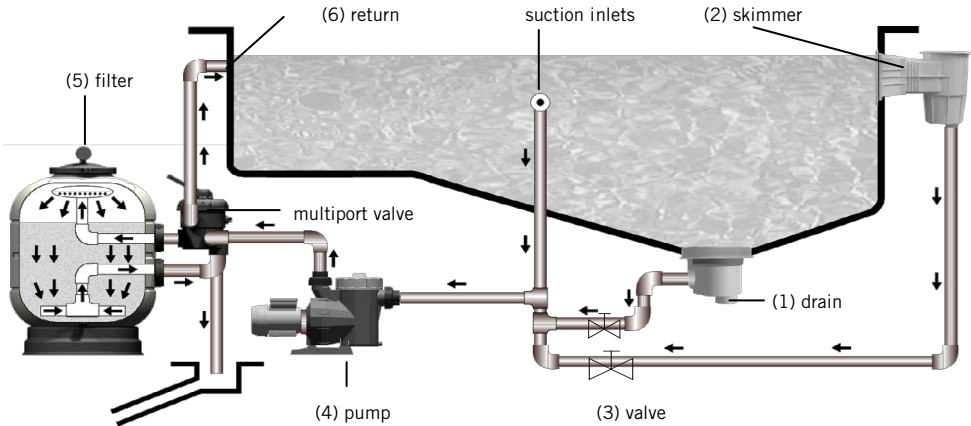
This chlorine remaining in the water in the form of hypochlorous acid is known as free, residual chlorine.

FILTRATION

It is essential that the filtration is accompanied by chemical treatment of the pool water.

The two processes are complimentary to each other.

WORKING PRINCIPLES



A suction is taken from the main drains (1) on the bottom of the pool and the skimmers (2) at the pool surface and fed via separate pipework with their corresponding valves (3), through the pump (4) to the sand filter (5).

After filtration, the water is returned to the pool via return inlets (6), which are installed on the opposite side of the pool to the skimmers and main drains.

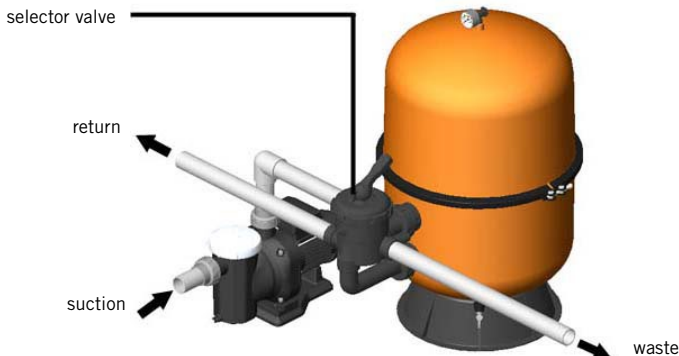
Once in the filter, the water is circulated downwards through silica sand and suspended particles are retained.

The filter sand needs to be washed at intervals to remove the particles it has retained backwash.

This is achieved by reversing the flow through the filter and directing the water containing the dislodged particles to drain.

When the filter pressure increased by 0.5 kg/cm^2 or more with respect to the initial pressure means that the sandfilter needs to be backwashed.

Bearing these principles in mind, the following installation and operation instructions should not represent any problem.



INSTALLATION

The filter should be installed as close as possible to the swimming pool and preferably at a level of 0.50 metres below the surface of the water in the swimming pool. Make sure there is drainage available at the place where the filter is to be installed.

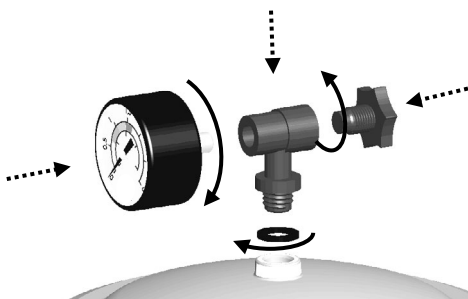
IMPORTANT: Do not use an iron and hemp pipe for the selector valve connection, it is essential to use plastic accessories and TEFLON tape. Pipe terminals are available threaded fixing in 1 ½" and 2".

Always leave enough space round the filter in order to perform the necessary examinations and maintenance during the filter's life.

ASSEMBLY

Follow these indications for a correct assembly of the filter:

- 1.- Place the filter on a horizontal and clean surface.
- 2.- Place the filter in its final location.
- 3.- In case of a filter with a lateral valve, install the selector valve in the filter. Make sure that the joints between the valve and the filter are correctly placed.
- 4.- Perform the three connections of the selector valve: pump piping to the valve, valve to the waste drain and valve to the pool return. Each of these three outlets is clearly identified on the valve.
- 5.- Set the manometer T, the joint, the manometer and the air drainage (see exploded view). **It is not necessary to use teflon tape, as the watertightness is guaranteed in this case by the joint.** Do not tighten the manometer T with a tool, as manually will be sufficient.



ASSEMBLY OF THE MANOMETER (WITH VALVE)

SAND LOAD

In order to obtain maximum efficiency from your filter, it should be filled with silica sand with a grain size classification of 16 / 32 inches. With the quantity indicated on the plate specifying the characteristics; proceed as follows:

Load up when the filter is installed in position and the connection pipes have been joined.

- 1.- Unscrew the lock screws and remove the collar.
- 2.- Take off the lid and joint, take care that the lock protection Ring does not fall.
- 3.- Fill the filter with water to half capacity.
- 4.- Pour the required, slowly and very carefully, quantity of sand inside the filter.
- 5.- Clean the seating of the lid joint.
- 6.- Fix the filter lid in place.
- 7.- Place the collar back and tighten the screws.

Attention: when operating check that water does not leak from the filter through the collar.

Note: the manufacturer will not be held responsible for any damage caused to the filter while filling it with sand.

FILTRATION PROCESS

The selector valve has a handle of 6 positions that selects any of the necessary operations to obtain the maximum efficiency from the filter.

IMPORTANT: Always switch off the pump, when changing the position of the selector valve.

FILTRATION

With the pump switched off, place the handle of the selector valve in the FILTERING position.

Switch on the pump.

When starting up for the first time, read the pressure of the pressure gauge. It is recommended to take note of this pressure, as later it will be used to know whether the filter is dirty and if "WASHING" is required. "WASHING" should be done when the pressure gauge indicates an increase of 0.5 kg/cm^2 with respect to the initial pressure of the filter. It is advisable to observe the pressure gauge from time to time as this indicates the degree of saturation of the filter.

Bear in mind that the valves at the bottom of the pool and the skimmers will be adjusted according to the amount of floating particles on the surface of the water. The main drain and skimmer valves will be regulated according to the quantity of floating material found on the surface of the water. Bear in mind that with the main drain valve fully open there will be little suction from the skimmers. If the surface sweep of the skimmers is to be stronger, reduce the flow from the main drain.

Example:



0.8 kg/cm² - 11.4 PSI: Initial pressure of the filter at the start of a filtering cycle.



1.3 kg/cm² - 18.5 PSI: The pressure is 0.5 kg/cm^2 more than the initial pressure, indicating that WASHING is required.

BACKWASH

Each load of sand forms thousands of channels which pick up all the material contained and caught up in the filtering process, the number of free channels allowing the water to pass is continually decreasing. This is why the pressure rises progressively until it an increase of 0.5 kg/cm^2 . At this pressure the filtering sand is unable to collect any more impurities and must be cleaned as follows:

Turn the selector valve to the "BACKWASH" position and with the main drain and return valves open, switch on the pump and run it for 2 minutes. When this operation is completed, the dirt blocking the filter will have been removed.



RECIRCULATE

In this position, the selector valve allows the water from the pump to go directly to the swimming pool without passing through the inside of the filter.



WASTE

If the swimming pool needs to be drained, this can be done using the filter pump. In order to do this, the selector valve should be in the "WASTE" position. The motor is run with the main drain valve fully open, for the pump to have sufficient suction. For the pump to suction, keep the prefilter and the main drain pipes full of water. Before drainage, make sure that the skimmer valves and the bottom cleaner valves are closed.



RINSE

After the carrying out the "BACKWASH" operation on the filter and placing the installation in the "FILTER" position, the water flowing into the swimming pool will be cloudy for a few seconds, so to prevent it from reaching the swimming pool there is a "RINSE" position for the selector valve which is operated as follows: immediately after the "BACKWASH" put the valve in the "RINSE" position and switch on the pump for 1 minute, after which the pump is switched off and the valve placed in the "FILTER" position.

This position ensures that the filtered water goes directly to the drain.



CLOSED

As its name indicates, this position is for closing off the water from the of the filter pump and it is used for opening the collector prefilter of the pump.



START-UP

When the filter has been loaded, the sand must be washed. Proceed as follows:

- 1.- Open the air bleed cap to blow out the air.
- 2.- Place the selector valve in the "LAVADO" (BACKWASH) position.
- 3.- Open the valves controlling the swimming pool suction pipes and run the pump for 4 minutes.
- 4.- Stop the pump, place the handle of the selector valve into the "RINSE" position and rinse for 1 min. Then, stop the pump and place the handle of the selector valve into "FILTRATION" (FILTERING) position.
- 5.- Close the air bleed cap when water starts to come out.

When this has been done, the filter will be ready to start the filtering cycles for the water in the swimming pool.

IMPORTANT: The pump should be switched off when the position of the selector valve handle is being changed.

MAINTENANCE

Do not use solvents for cleaning the filter, this could damage the filter, especially its finish.

Always replace the joints and pieces that may not be in good condition.

Backwash and rinse when needed, as per the instructions specified in this manual.

Clean the sand every year for a better performance with solid or liquid ASTRAL Filnet product. It's recommended to change the sand inside the filter approximately every 3 years.

Winter period, in order not to damage the filter during the winter period, please follow the instructions below:

Perform a backwash and a rinse as previously detailed.

Remove the water from the filter.

Take off the lid to ventilate the filter in the period of inactivity.

When you need to start up the filter again after a period of inactivity, follow the instructions stated in the paragraph "START UP".

The most common PROBLEMS

EFFECT	POSSIBLE CAUSE	SOLUTION
The filter only provides a small volume of the filtered water. Vacuum heads have poor suction.	Prefilter blocked.	Clean filter.
	Motor turning the wrong way.	Check by the arrow on the body of the prefilter which way the motor is turning, if this is not correct, reverse the motor connection.
	Suction pipes are blocked.	Proceed to clean.
The pressure gauge varies considerably.	The pump is taking in air.	Check for leaks in the prefilter and suction pipes.
	Suction is half closed.	Check that the suction valves are completely open.

SAFETY WARNINGS

Never start up the system without water.

Whenever you operate the filter or the selector valve, switch off the pump first.

Never allow children or adults to sit on the system.

Do not connect the filter directly to the water network, as the pressure of the water may be too high and exceed the maximum work pressure allowed by the filter.

Do not use the filtering circuit to fill and adjust the water level of the pool. A handling error may lead to overpressure in the filter.

Do not clean the lid with solvents, as it may damage its properties (finish, transparency ...).

As all the connections are made with joints, it is not necessary to tighten the nuts excessively in order to avoid that some plastic pieces could break.

DO NOT use teflon in the T-part of the pressure gauge Kit, code 00545R0300, to ensure sealing.

Guarantee Certificate

1. GENERAL TERMS

- 1.1. In accordance with these provisions, the seller guarantees that the product corresponding to this guarantee is in perfect condition at the time of delivery.
- 1.2. The Guarantee Term for the Product is two (2) years from the time it is delivered to the purchaser.
- 1.3. In the event of any defect in the Product that is notified by the purchaser to the seller during the Guarantee Term, the seller will be obliged to repair or replace the Product, at his own cost and wherever he deems suitable, unless this is impossible or unreasonable.
- 1.4. If it is not possible to repair or replace the Product, the purchaser may ask for a proportional reduction in the price or, if the defect is sufficiently significant, the termination of the sales contract.
- 1.5. The replaced or repaired parts under this guarantee, will not extend the guarantee period of the original Product, but will have a separate guarantee.
- 1.6. In order for this guarantee to come into effect, the purchaser must provide proof of the date of purchase and delivery of the Product.
- 1.7. If, after six months from the delivery of the Product to the purchaser, he notifies a defect in the Product, the purchaser must provide proof of the origin and existence of the alleged defect.
- 1.8. This Guarantee Certificate is issued without prejudice to the rights corresponding to consumers under national regulations.

2. INDIVIDUAL TERMS

- 2.1. This guarantee covers the following products and ranges: BILBAO model filters.
- 2.2. For this guarantee to be effective, the purchaser must strictly follow the Manufacturer's instructions included in the documentation provided with the Product, in cases where it is applicable according to the range and model of the Product.
- 2.3. When a time schedule is specified for the replacement, maintenance or cleaning of certain parts or components of the Product, the guarantee will only be valid if this time schedule has been followed.
- 2.4. The manufacturer of the product offers the possibility of extending the guarantee of Bilbao filters from the third year up to the fifth or tenth year depending on the model as indicated below. This Guarantee Extension is governed by the following terms:
 - 2.4.1. Coverage of the Guarantee Extension by the Manufacturer: In the event of any defect or non-conformity in the container of the filter, the manufacturer will repair or replace the filter as he sees fit.
 - 2.4.2. Replacement will construe that the purchaser accepts the payment of a variable charge depending on the age of the product, as indicated in the following tables:

Time from the date of acquisition of BILBAO, model filters	Payable percentage of the price at the time of the claim
from 2 to 4 years	60%
from 4 to 5 years	80%

- 2.4.3. The manufacturer of the filter also offers the possibility of extending an additional guarantee during the third year for internal and external components of the filter.
- 2.4.4. The filtering means is excluded from any guarantee extension.
- 2.4.5. Other terms during the guarantee extension from the third year are:
 - In the event of replacement, all transport charges or expenses to or from the factory, for moving or reinstalling the product or installing a spare part, will be covered by the purchaser.
 - In the event of repair, expenses incurred by labour and transport will be covered by the purchaser.
 - The manufacturer is not held responsible for damages and expenses caused by downtime, nor the time and material incurred by the replacement of products.
 - The manufacturer does not authorise third parties to extend any guarantee regarding its articles, nor is it assumed that it is subject to any non-authorised guarantee made in connection with the seller of its products.
- 2.4.6. The request for the manufacturer's services during the guarantee extension period should be made through the seller or fitter that supplied the product to the purchaser.
- 2.4.7. In order for the guarantee extension period to be valid, the purchaser must provide proof of the date of acquisition and delivery of the product.

2.4.8. The guarantee extension will not be valid if the product has been inspected or repaired by persons not authorised by the manufacturer.

2.4.9. The guarantee extension from the third year does not imply nor assume an additional guarantee by the manufacturer to the seller's guarantee during the first two years.

3. LIMITATIONS

- 3.1. This guarantee will only be applicable to sales made to consumers, understanding by "consumer", a person who purchases the Product for purposes not related to his professional activities.
- 3.2. The normal wear resulting from using the product is not guaranteed. With respect to expendable or consumable parts, components and/or materials, such as batteries, light bulbs, etc. the stipulations in the documentation provided with the Product, will apply.
- 3.3. The guarantee does not cover those cases when the Product; (I) has been handled incorrectly; (II) has been repaired, serviced or handled by non-authorised people or (III) has been repaired or serviced not using original parts.
- 3.4. In cases where the defect of the Product is a result of incorrect installation or start-up, this guarantee will only apply when said installation or start-up is included in the sales contract of the Product and has been conducted by the seller or under his responsibility.
- 3.5. Damage or faults of the filter owing to exposure to temperatures below than 0°C (32°F) or above 50°C (125°F).
- 3.6. Damage or faults of the filter caused by knocks or as a result of oversizing of the filtering system pumps.

IMPORTANT: le manuel d'instructions que vous avez entre les mains contient des informations de première importance sur les mesures de sécurité à adopter au moment de l'installation et de la mise en service. Il est par conséquent indispensable que l'installateur et l'utilisateur lisent attentivement les instructions avant de commencer le montage et la mise en marche.

Conservez ce manuel en vue de futures consultations sur le fonctionnement de cet appareil.

Pour optimiser le rendement du Filtre, il est recommandé de bien suivre les instructions qui vous sont données ci-dessous :

Qu'arrive-t-il à l'eau de votre piscine?

Logiquement c'est la première question à se poser. Avant, la plupart des piscines ne disposaient pas d'installation de dépollution. Elles étaient simplement remplies d'eau propre et après quelques jours, quand l'eau avait un aspect désagréable, elles étaient vidées, nettoyées et remplies à nouveau. Cela, sans aucun doute, présentait divers inconvénients : gaspillage d'eau, insalubrité de la piscine et bain peu agréable dû à une insuffisante transparence de l'eau. La société actuelle exige : économie, hygiène et commodité. Pour ces raisons, nous devons équiper les piscines des installations et traitements appropriés.

Quand la piscine est remplie avec de l'eau du réseau public ou d'un puits, généralement, nous pouvons observer qu'elle est propre mais son exposition au soleil et à l'air produit les deux phénomènes suivants :

1.- L'eau se contamine des microorganismes de l'atmosphère, plus ceux introduits par les baigneurs et, en ne s'oxygénant pas, les parasites se reproduisent dans la piscine en formant des algues. Cette formation de vie est favorisée par la température ambiante élevée qui accompagne généralement le traitement de la piscine (l'été dans les piscines découvertes, chauffage dans les piscines couvertes). L'eau prend alors une coloration verte.

2.-L'air et la pluie introduisent dans l'eau des quantités de poussières, terre et feuilles qui la troublent.

L'introduction de ces deux éléments dans l'eau donne le résultat suivant en très peu d'heures ou en quelques jours : une piscine pas du tout hygiénique et désagréable au bain.

Le moyen de combattre ces deux problèmes est le suivant :

1.-TRAITEMENT "CHIMIQUE"

Il faut maintenir dans l'eau une quantité de désinfectant (chlore, brome, oxygène...) suffisante pour que les bactéries et microorganismes introduits puissent être détruits de suite.

Nous vous conseillons le chlore, car c'est la méthode la plus utilisée.

2.-TRAITEMENT "PHYSIQUE"

Equiper la piscine d'un filtre qui par intermédiaire d'une pompe retiendra en son intérieur toutes les matières en suspension dans l'eau.

LE pH

Le PH est le degré d'acidité de l'eau. Les taux de PH sont compris entre 0 et 14, le taux 7 correspondant au degré neutre, les taux entre 0 et 7 à des degrés acides et entre 7 et 14 à des degrés alcalins.

Les taux habituels dans une piscine sont compris entre 6,8 et 8,4.

Pourquoi le PH est-il important?

"Le taux idéal du PH dans une piscine doit être situé entre 7,2 et 7,6".

Avant il était conseillé de maintenir dans l'eau une quantité de chlore résiduel suffisante pour la destruction des bactéries. Mais ce chlore n'agira efficacement comme bactéricide que quand l'eau où se dissoudra aura un PH compris entre 7,2 et 7,6. Si vous voulez donc détruire les bactéries, il faut maintenir le PH au taux indiqué.

D'autres éléments obligent à maintenir le PH correctement. S'il est supérieur à 7,6 le calcaire de l'eau est visible, trouble l'eau et lui donne un aspect laiteux, obturant rapidement le filtre et s'accrochant aux parois et aux accessoires. Si le taux de PH est inférieur à 7,2, l'eau est corrosive produisant des irritations des yeux et des muqueuses nasales et pouvant même détruire les parties métalliques de l'installation de filtration.

Il apparaît donc que la qualité de l'eau dépend beaucoup du taux du PH.

LE CHLORE

Normes légales

Les réglementations sanitaires en vigueur préconisent le taux de chlore libre dans l'eau des piscines compris entre 0,20 et 0,60 milligrammes par litre. (On dit aussi – c'est identique- que le contenu de chlore libre est de 0,2 à 0,6 ppm- parts par million).

Ce que nous appelons chlore libre ou résiduel

Dans l'eau, même après la filtration, il reste un certain nombre d'ennemis invisibles qu'il faut détruire.

Pour cette destruction, il faut une quantité déterminée de chlore qui agit sous forme d'acide hypochloreux. Le chlore ajouté au dessus du taux nécessaire pour détruire les bactéries et oxyder la matière organique reste libre dans l'eau sous la forme d'acide hypochloreux dans l'attente d'agir contre quelques ennemis bactéries, matières organiques, etc. qui sont introduits à nouveau dans l'eau soit par le baigneur, soit par les agents atmosphériques : vent, pluie, etc. ou par une autre cause.

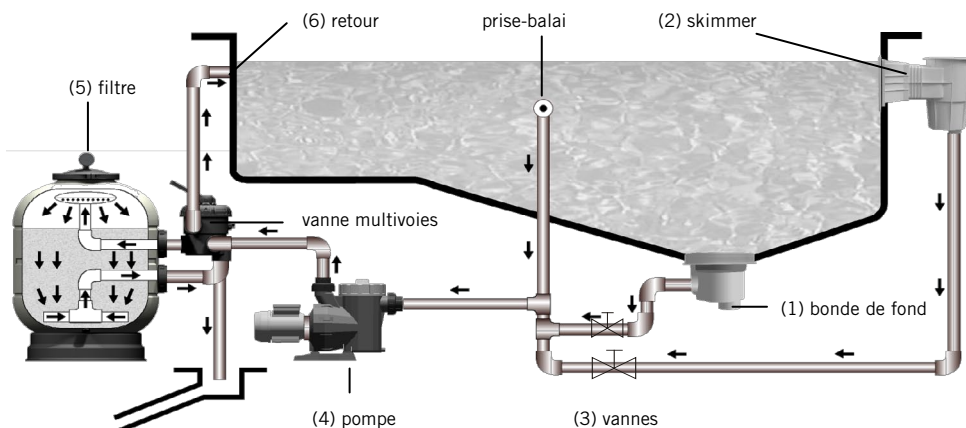
Le chlore qui reste dans l'eau sous forme d'acide hypochloreux dans l'attente d'agir, apporté au-dessus des nécessités immédiates, s'appelle chlore libre ou résiduel.

LA FILTRATION

La filtration est seulement une partie du travail à réaliser pour maintenir l'eau de la piscine propre. Elle est inséparable du traitement chimique car l'un ne va pas sans l'autre pour obtenir le résultat escompté.

On généralise l'idée, en achetant une installation que la machine fera tout, ce qui lui donne l'appellation de « dépurateur », alors qu'il ne s'agit que d'un filtre. La dépuración consiste en une parfaite conjonction des deux traitements, le physique et le chimique.

PRINCIPES DE FONCTIONNEMENT



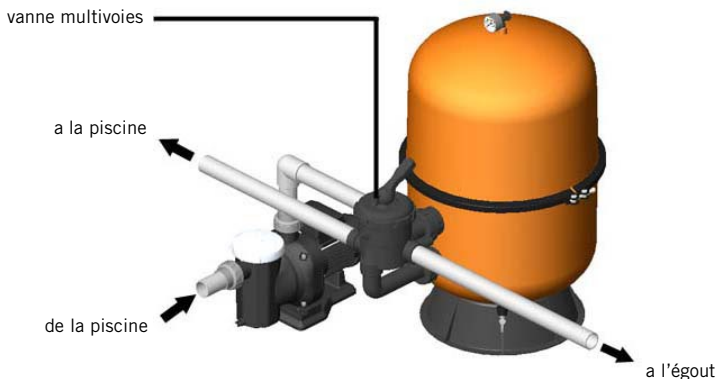
L'eau est aspirée du fond de la piscine par la bonde de fond (1) et à la surface par les skimmers (2) et arriv é au filtre (5) par des conduits séparés équipés chacun de vannes (3). L'eau filtrée est ensuite refoulée à la piscine par les bouches (6). Ces bouches de refoulement sont installées du côté opposé des skimmers et de la bonde de fond renouvelant ainsi toute l'eau de la piscine.

Le filtre proprement dit comprend la charge de sable silice au travers de laquelle circule l'eau dans le sens descendant, retenant ainsi les matières en suspension dans l'eau.

Quand le cycle de filtration fonctionne parfaitement et au bout d'un certain temps, il est nécessaire de laver le filtre car le sable est obstrué par les saletés qui empêchent l'eau de passer. Quand la pression dans le filtre augmenté de 0,5 kg/cm² ou plus par rapport à la pression initiale, il est nécessaire d'effectuer un lavage.

Le lavage à contre courant permet d'inverser le sens de circulation de l'eau dans le filtre et ainsi les impuretés sont rejetées dans l'égout.

En appliquant ces informations, le fonctionnement ne doit poser aucun problème.



L'INSTALLATION

Le filtre doit être installé le plus près possible de la piscine et de préférence à 0,50 m au-dessous du niveau de l'eau de la piscine. Prévoir un égout dans le local où sera situé le filtre.

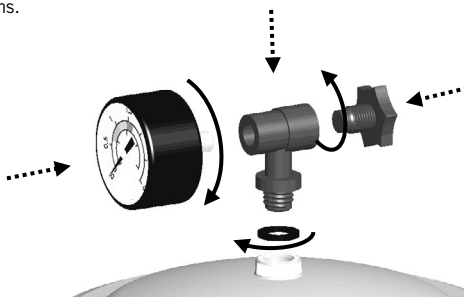
IMPORTANT : Ne pas utiliser pour le raccordement de la vanne multivoie des tuyauteries en fer, de la filasse et du dissolvant. Il est indispensable d'utiliser des accessoires plastiques et du téflon. Nous disposons pour cela de raccords 3 pièces en 1 ½ « et 2 » et de joints d'étanchéité caoutchouc. Demandez-les à votre fournisseur.

Toujours laisser espace suffisant autour du filtre afin de pouvoir réaliser les contrôles et l'entretien nécessaires pendant la vie utile du filtre.

MONTAGE

Procédez comme suit pour un correct montage du filtre:

- 1.- Son installation doit toujours être réalisée sur une surface horizontale et complètement propre.
- 2.- Installer le filtre sur l'emplacement final.
- 3.- Dans le cas d'un filtre avec vanne latérale, installer la vanne multivoie dans le filtre. Faire attention à que les joints entre la vanne et le filtre sont correctement positionnés.
- 4.- Réaliser les trois connexions de la vanne multivoie: tuyauterie de la pompe à la vanne, de la vanne à l'égout, et de la vanne au retour de la piscine. Sur la vanne, chaque sortie est dûment identifiée.
- 5.- Installer le Té manomètre, le joint, le manomètre et le bouchon de dégazage (purge) d'eau (voir schéma). **Il n'est pas nécessaire l'utilisation de Téflon, car l'étanchéité est garantie par le joint.** Ne pas serrer le Té manomètre avec l'aide d'un outil, car il suffit avec les mains.



MONTAGE DU MANOMETRE (AVEC VANNE LATÉRALE)

CHARGE DE SABLE

Pour obtenir le meilleur rendement de ces filtres il faut les remplir de silice, granulométrie de 0,5 à 0,7 mm, avec la quantité indiquée sur la plaque des caractéristiques.

Procéder comme suit :

Mettre le filtre en place et raccorder les tuyauteries

- 1.- Dévissez les vis de fermeture et retirez la virole.
- 2.- Enlever le couvercle et le joint, veillez à ce que l'anneau de protection de fermeture ne tombe pas.

- 3.- Remplir le filtre, **peu à peu et en faisant très attention**, avec de l'eau jusqu'à la moitié du même.
- 4.- Verser à l'intérieur du filtre la quantité de sable nécessaire
- 5.- Nettoyer la rainure du joint de couvercle
- 6.- Placer et serrer le couvercle du filtre
- 7.- Remettez la virole en place et revissez les vis.

Attention : quand il est en marche, vérifiez que le filtre ne perd pas d'eau par la virole.

Remarque : le fabricant n'assume pas la responsabilité d'un dommage quelconque occasionné sur le filtre pendant le remplissage du filtre avec du sable.

MISE EN MARCHE

La vanne multivoie possède une manette à 6 positions qui permette sélectionner les opérations nécessaires pour le bon fonctionnement du filtre.

IMPORTANT: Tout changement de position de la manette de la vanne multivoie doit se faire avec la pompe arrêtée.

FILTRATION

La pompe arrêtée, mettre la manette de la vanne multivoies en " FILTRATION ".

Démarrer la pompe.

La première fois que vous le mettez à fonctionner, vous devez observer le manomètre et voir quelle pression il indique ; nous vous recommandons de la noter, car plus tard vous en aurez besoin pour savoir si le filtre est sale et si vous devez procéder à un "LAVAGE". Il faut réaliser un "LAVAGE" lorsque le manomètre indique une augmentation de 0,5 kg/cm² par rapport à la pression initiale du filtre. Il est prudent de regarder de temps en temps le manomètre qui indique le degré de saturation du filtre.

Il faut tenir compte du fait que les vannes du fond de la piscine et des skimmers seront réglées selon la quantité de matières flottantes qui se trouvent sur la surface de l'eau. Si la vanne de la bonde de fond est complètement ouverte, l'aspiration par les skimmers est faible. Si vous désirez que les skimmers aspirent plus énergiquement à la surface de l'eau, il suffit de refermer un peu le passage de la bonde de fond.



Exemple :



0,8 kg/cm² - 11,4 PSI: Pression initiale d'un filtre au début d'un cycle de filtration



1,3 kg/cm² - 18,5 PSI: La pression est 0,5 kg/cm² supérieure à la pression initiale, cela signifie qu'il faut procéder au LAVAGE

LAVAGE

Le sable forme des milliers de canaux de passage qui retiennent toutes les matières en suspension. Au fur et à mesure, les canaux se bouchent et l'eau ne peut pas passer. Pour cette raison, la pression s'élève progressivement jusqu'à atteindre une augmentation de 0,5 kg/cm², ce qui indique que le sable est encombré de saletés et qu'il est nécessaire de le nettoyer de la façon suivante :

Placer la vanne multivoies en position « LAVAGE ». Ouvrir les vannes de la bonde de fond et des bouches de refoulement. Démarrer la pompe. Effectuer cette manœuvre pendant 2 minutes. Cette opération permet de verser toute la saleté qui obstruait le filtre sans l'égout.



RECIRCULATION

Dans cette position, la vanne multivoies effectue le passage de l'eau provenant de la pompe directement à la piscine sans passer par l'intérieur du filtre.



VIDANGE

Dans le cas où il n'existe pas de vidange au fond de la piscine allant directement à l'égout, la vidange peut se faire à l'aide la pompe. Pour cette opération, placer la vanne multivoies en position de " VIDANGE ". Démarrer la pompe avec la vanne de la bonde de fond ouverte. Pour que la pompe aspire, il faut que les conduits d'eau de la bonde et le préfiltre soient pleins d'eau.

Avant de commencer la vidange, vérifier que les vannes des skimmers et de la bouche prise balai soient bien fermées.



RINÇAGE

Après avoir procédé au " LAVAGE " du filtre, mettre en position " FILTRATION ". Pendant quelques secondes, l'eau qui arrive à la piscine est trouble. Pour éviter cela, il existe une position " RINÇAGE ". Procéder comme suit : Immédiatement après de " LAVAGE ", placer la vanne en position " RINÇAGE " et faire marcher la pompe pendant une minute. Puis arrêter la pompe et placer la vanne en position " FILTRATION " .

Cette position envoie l'eau sale directement à l'égout.



FERMETURE

Comme le nom l'indique, cette position s'utilise pour fermer le passage de l'eau de la pompe au filtre.

Elle permet d'ouvrir le préfiltre de la pompe.



MISE EN MARCHE

Une fois le sable versé, il est nécessaire de le laver:

- 1.- Ouvrir le bouchon purge d'air, pour purger l'air.
- 2.- Place la vanne multivoies en position "LAVAGE "
- 3.- Ouvrir les vannes des tuyauteries d'aspiration de la piscine et mettre en marche la pompe pendant 4 minutes.
- 4.- Arrêter la pompe et placer la manette de la vanne multivoies en position " FILTRATION " .
- 5.- Fermer le bouchon purge d'air quand il y a de l'eau qui sort.

Cette opération réalisée, le filtre est prêt à commencer les cycles de filtration de la piscine.

IMPORTANT : Tout changement de position de la manette de la vanne multivoies doit se faire avec la pompe arrêtée.

ENTRETIEN

Dans le nettoyage du filtre, ne pas utiliser de dissolvants qui peuvent endommager et enlever le brillant du même.

Remplacer les joints et les pièces quand nécessaire.

Réaliser les lavages et les rinçages nécessaires selon les instructions antérieurement spécifiés.

Nettoyer le sable tous les ans pour un bon service avec ASTRAL Filnet solide ou Filnet liquide. Il est conseillé de changer le sable tous les 3 ans environ.

Hivernage, afin de ne pas endommager le filtre pendant la période d'hiver, veuillez suivre les indications suivantes:

Réaliser un lavage et un rinçage selon les indications dans ce manuel.

Vider le filtre d'eau.

Enlever le couvercle du filtre pour le maintenir ventilé pendant la période d'inactivité.

Pour mettre le filtre en fonctionnement, suivre les instructions spécifiées dans le paragraphe MISE EN SERVICE.

PANNES LES PLUS FRÉQUENTES

EFFET	CAUSES	SOLUTION
Le filtre a un faible débit d'eau filtrée. Débit de l'aspiration insuffisant.	Panier préfiltre bouché.	Nettoyer le panier.
	La pompe tourne à l'envers.	Vérifier que la pompe tourne dans le sens de la flèche qui est gravée sur le corps du préfiltre. Dans la négative, inverser le branchement du moteur.
	Les tuyauteries d'aspiration ou de refoulement sont bouchées.	Nettoyez-les.
Le manomètre oscille violemment.	Prise d'air de la pompe.	Supprimer les fuites d'eau dans le panier préfiltre et les tuyauteries d'aspiration.
	Aspiration à moitié fermée.	Vérifier que les vannes d'aspiration sont totalement ouvertes.

AVERTISSEMENTS DE SÉCURITÉ

Ne pas faire fonctionner l'appareil sans eau.

Ne pas manipuler le système avec le filtre branché.

Ne pas laisser enfants ou adultes s'asseoir sur le système.

Ne pas faire une connexion directe du filtre au réseau d'eau, car la pression de l'eau peut être très élevée et supérieure à la pression maximale de travail permise du filtre.

N'utilisez pas le circuit de filtration pour le remplissage et le réglage du niveau d'eau de la piscine. Une erreur de manipulation peut produire une surpression sur le filtre.

Ne pas nettoyer l'ensemble du couvercle avec dissolvant, car on risque à perdre les propriétés (brillant, transparence...)

Faire attention à ne pas casser les différentes pièces en plastique: il n'est pas nécessaire de serrer les écrous en excès car tout l'assemblage est fait par des joints d'étanchéité.

N'utilisez PAS de Téflon sur la pièce en T du Kit manomètre, code 00545R0300, pour assurer l'étanchéité.

Certificat de garantie

1. ASPECTS GÉNÉRAUX

- 1.1 Conformément à ces dispositions, le vendeur garantit que le produit correspondant à cette garantie ne présente aucun défaut de conformité à la date de sa livraison.
- 1.2 La Période de Garantie pour le Produit est de deux (2) ans et elle sera calculée à partir de la date de sa remise à l'acheteur.
- 1.3 S'il se produisait un défaut de conformité du Produit et si l'acheteur le notifiait au vendeur pendant la Période de Garantie, le vendeur devrait réparer ou remplacer le Produit à ses propres frais au lieu qu'il jugerait opportun, à moins que cela soit impossible ou démesuré.
- 1.4 Lorsque le Produit ne pourra être ni réparé ni remplacé, l'acheteur pourra demander une réduction proportionnelle du prix ou, si le défaut de conformité est suffisamment important, la résiliation du contrat de vente.
- 1.5 Les pièces remplacées ou réparées en vertu de cette garantie ne prolongeront pas le délai de la garantie du Produit original, celles-ci étant cependant couvertes par leur propre garantie.
- 1.6 En vue de l'effectivité de la présente garantie, l'acheteur devra justifier la date d'acquisition et de livraison du Produit.
- 1.7 Quand plus de six mois se seront écoulés depuis la remise du Produit à l'acheteur et que ce dernier alléguera un défaut de conformité de ce Produit, l'acheteur devra justifier l'origine et l'existence du défaut allégué.
- 1.8 Le présent Certificat de Garantie ne limite pas, ni préjuge les droits qui correspondent aux consommateurs en vertu des normes nationales de nature impérative.

2. CONDITIONS PARTICULIÈRES

- 2.1 La présente garantie couvre les produits et les familles des produits suivants : Filtres modèle CANTABRIC, BILBAO, CEL et TERRA.
- 2.2 Pour l'efficacité de cette garantie, l'acheteur devra suivre rigoureusement les indications du Fabricant figurant dans la documentation qui est fournie avec le Produit, quand celle-ci sera applicable selon la gamme et le modèle du Produit.
- 2.3 Quand un calendrier est spécifié pour le remplacement, la maintenance ou le nettoyage de certaines pièces ou de certains composants du Produit, la garantie sera valable uniquement lorsque ledit calendrier aura été correctement respecté.
- 2.4 Le fabricant du Produit offre la possibilité d'élargir la garantie des filtres Cantabric, Bilbao, Cel et Terra à partir de la troisième année jusqu'à la cinquième ou la dixième en fonction du modèle selon ce qui est indiqué ci-après. Cette Extension de Garantie est régie par les conditions suivantes :

- 2.4.1 Couverture de l'Extension de Garantie par le Fabricant : Face à un défaut ou un manque de conformité sur la cuve ou le récipient du filtre, le fabricant réparera ou remplacera, selon son critère, le filtre.
- 2.4.2 Le remplacement devra signifier de la part de l'acheteur l'acceptation du paiement d'un montant variable en fonction de l'ancienneté du Produit, sur la base des tableaux suivants :

Période de temps depuis la date d'acquisition pour les filtres modèle BILBAO, CEL et TERRA	Pourcentage à payer du tarif de prix en vigueur, au moment de la réclamation
À partir de 3 jusqu'à 4 ans	60%
À partir de 4 jusqu'à 5 ans	80%

- 2.4.3 Le fabricant du filtre offre aussi la possibilité d'élargir une garantie supplémentaire pendant la troisième année pour les composants internes et externes du filtre.
- 2.4.4 Le milieu filtrant est expressément exclus de toute extension de garantie.
- 2.4.5 Autres conditions pendant l'extension de garantie, à partir de la troisième année :

- En cas de remplacement, de déplacement ou réinstallation du Produit, ou installation de la pièce de rechange, tous les frais de transport jusqu'à l'usine ou depuis l'usine sont à la charge de l'acheteur.
- En cas de réparation, les frais dérivés de la main d'œuvre et du déplacement seront à la charge de l'acheteur.
- Le fabricant n'assume pas la responsabilité des dommages et frais occasionnés par l'arrêt de l'activité, ni des temps et matériaux dérivés du remplacement ou renouvellement des produits.

- Le fabricant n'autorise personne d'autre à élargir aucune garantie concernant ses articles et n'assume pas non plus d'être soumis à aucune garantie non autorisée faite en liaison avec le vendeur de ses produits.
- 2.4.6 Les conditions requises de service du fabricant pendant la période d'extension de garantie devront se faire par le biais du vendeur ou de l'installateur qui aura livré le produit à l'acheteur.
 - 2.4.7 Pour l'effectivité de la période d'extension de garantie, l'acheteur devra justifier la date d'acquisition et de livraison du Produit.
 - 2.4.8 L'extension de garantie ne sera pas effective si le Produit a été inspecté ou réparé par du personnel non autorisé par le fabricant.
 - 2.4.9 L'extension de garantie à partir de la troisième année n'implique pas et ne présuppose pas de garantie supplémentaire de la part du fabricant à celle concédée par le vendeur pendant les deux premières années.

3. LIMITATIONS

- 3.1 La présente garantie ne sera d'application que pour les ventes réalisées aux consommateurs, considérant comme "consommateur" toute personne qui achète le Produit à des fins n'étant pas du domaine de son activité professionnelle.
- 3.2 Aucune garantie n'est accordée pour ce qui a trait à l'usure normale due à l'utilisation du Produit. En ce qui concerne les pièces, les composants et/ou matériels fongibles ou consommables comme le sable, les anneaux, etc., il faudra respecter, le cas échéant, ce qui est stipulé dans la documentation qui est fournie avec le Produit.
- 3.3 La garantie ne couvre pas les cas où le Produit : (i) a fait l'objet d'un traitement incorrect ; (ii) a été inspecté, réparé, entretenu ou manipulé par une personne non autorisée ; (iii) a été réparé ou entretenu avec des pièces qui ne sont pas d'origine ou (iv) a été installé ou mis en marche d'une façon incorrecte.
- 3.4 Quand le défaut de conformité du Produit sera la conséquence d'une installation ou d'une mise en marche incorrecte, la présente garantie sera valable uniquement lorsque la dite installation ou mise en marche sera comprise dans le contrat d'achat et de vente du Produit et aura été réalisée par le vendeur ou sous sa responsabilité.
- 3.5 Dommages ou pannes du filtre à cause de l'exposition à des températures inférieures à 0°C (32° F) ou supérieures à 50°C (125° F).
- 3.6 Dommages ou pannes du filtre occasionnés par des coups de bélier ou par suite d'un surdimensionnement des pompes du système de filtration.

IMPORTANTE: El manual de instrucciones que usted tiene en sus manos, contiene información fundamental acerca de las medidas de seguridad a adoptar a la hora de la instalación y la puesta en servicio. Por ello, es imprescindible que tanto el instalador como el usuario lean las instrucciones antes de pasar al montaje y la puesta en marcha. Conserve este manual para futuras consultas acerca del funcionamiento de este aparato.

Para conseguir un óptimo rendimiento del Filtro es conveniente observar las instrucciones que se indican a continuación:

¿QUÉ OCURRE CON EL AGUA DE SU PISCINA?

Lógicamente ésta es la primera pregunta que debemos hacernos. Antiguamente la mayoría de las piscinas no disponían de una instalación de depuración y funcionaban sencillamente llenándolas con agua limpia y en el transcurso de ciertos días cuando el agua presentaba un aspecto desagradable, se vaciaban, limpiaban y se llenaban nuevamente. Esto sin lugar a dudas representaba varios inconvenientes: Gastos de agua, insalubridad de la piscina y un baño poco agradable debido a la insuficiente transparencia del agua. La sociedad actual exige: Economía, higiene y comodidad, por estas razones debemos dotar a las piscinas de las instalaciones y tratamientos necesarios.

Cuando se llena en verano la piscina con agua de suministro público o pozo, generalmente se observa que ésta es limpia, pero al estar expuesta al sol y al aire ocurren dos fenómenos básicos:

1.-El agua se contamina de los microorganismos que existen en la atmósfera más los que introducen los bañistas y al no haber oxigenación por estar estancada, estos parásitos se reproducen en la piscina, formándose algas. Esta formación de vida se ve favorecida por la temperatura ambiente elevada que suele acompañar al tratamiento de la piscina (verano en piscinas descubiertas, calefacción en cubiertas) tomando el agua una coloración verde.

2.-El aire y la lluvia introducen en el agua cantidades de polvo, tierra y hojas que la enturbian.

Estos dos factores que inciden sobre la piscina logran en pocas horas o en escasos días obtener un resultado: Una piscina totalmente anti-higiénica y nada agradable para el baño.

El modo de combatir estos dos problemas es:

1.-TRATAMIENTO "QUÍMICO"

Se mantendrá en el agua una cantidad de desinfectante (cloro, bromo, oxígeno...) suficiente para que las bacterias y microorganismos que se introduzcan en ella puedan ser destruidos al momento.

Tomaremos el cloro como referencia ya que es el método más utilizado.

2.-TRATAMIENTO "FÍSICO"

Dotando a la piscina de un filtro que por medio de una bomba retenga en su interior toda la materia en suspensión del agua.

EL pH

El pH es el grado de acidez del agua. Los valores de pH están comprendidos entre 0 y 14, correspondiendo el valor 7 al grado neutro, los valores entre 0 y 7 a los grados ácidos y entre 7 y 14 a los alcalinos, si bien los valores usuales en una piscina son los comprendidos entre los valores 6, 8 y 8,4.

¿Por qué es importante el pH?

"EL VALOR IDEAL DE pH EN LA PISCINA DEBE ESTAR SITUADO ENTRE 7,2 Y 7,6".

Anteriormente se indica que para la destrucción de bacterias, debemos mantener en el agua una cantidad de cloro residual suficiente para ello; pero este cloro sólo actuará eficazmente como bactericida cuando el agua donde se diluye tenga un pH comprendido entre 7,2 y 7,6. Por lo indicado, es indispensable que si se tienen que destruir las bacterias se debe de mantener el pH entre los valores mencionados.

Existen otros factores que obligan a mantener el pH correcto. De ser superior a 7,6, el calcio (la cal) disuelto en el agua se precipitará de forma visible, enturbiando el agua y dándole un aspecto lechoso, obstruyendo rápidamente el filtro y precipitándose en las paredes y accesorios de la piscina. Cuando el valor de pH sea inferior a 7,2 el agua será corrosiva, produciendo irritaciones en los ojos y mucosas nasales, pudiendo llegar a dañar las partes metálicas de la instalación de filtración.

La calidad del agua de la piscina, depende de que se mantenga un valor pH correcto.

Normas legales

Las disposiciones sanitarias españolas vigentes determinan que el contenido de CLORO LIBRE en el agua de las piscinas debe estar comprendido entre 0,20 a 0,60 miligramos por litro. (También se dice -es lo mismo- que el contenido de CLORO LIBRE es de 0,2 a 0,6 ppm. -partes por millón-).

Qué se entiende por cloro libre o residual

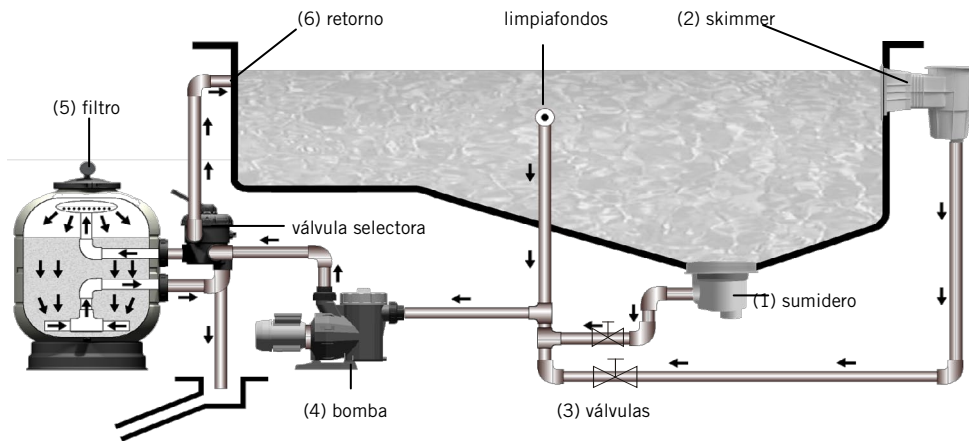
En el agua aún después de filtrada, existen una serie de enemigos invisibles que es preciso destruir. Para esta destrucción se necesita una cantidad determinada de cloro que actuará bajo la forma de ácido hipocloroso. El que se añade por encima de esa cantidad, es decir por encima del necesario para destruir las bacterias y oxidar la materia orgánica, queda libre en el agua bajo la forma de ACIDO HIPOCLOROSO en espera de actuar contra cualquier enemigo. Este cloro que queda en el agua en espera de actuar se denomina CLORO LIBRE O RESIDUAL.

LA FILTRACIÓN

La filtración, es sólo una parte del trabajo a realizar para mantener limpia una piscina y además inseparable del tratamiento químico, ya que la una sin la otra por sí solas no consiguen el fin buscado. Con esto queremos indicar que sólo con el filtro no se conseguirá nada si no va acompañado de un buen tratamiento químico.

Está muy generalizada la idea al adquirir una instalación que la máquina lo hará todo, hasta el punto de que ésta la llamamos "depurador" cuando verdaderamente es sólo un filtro, y la depuración consiste en una perfecta conjunción de los dos tratamientos, el químico y el físico.

PRINCIPIOS DE FUNCIONAMIENTO



El agua se aspira del fondo de la piscina a través del sumidero (1) y de la superficie por medio de los skimmers (2), llegando a través de la bomba (4) al filtro (5) por conducciones separadas provistas de sus correspondientes válvulas (3) y retornándolo a la piscina a través de unos distribuidores (6, boquillas de impulsión). Las boquillas van instaladas en el lado opuesto del sumidero y skimmers, proporcionando de esta manera una renovación total del agua de la piscina.

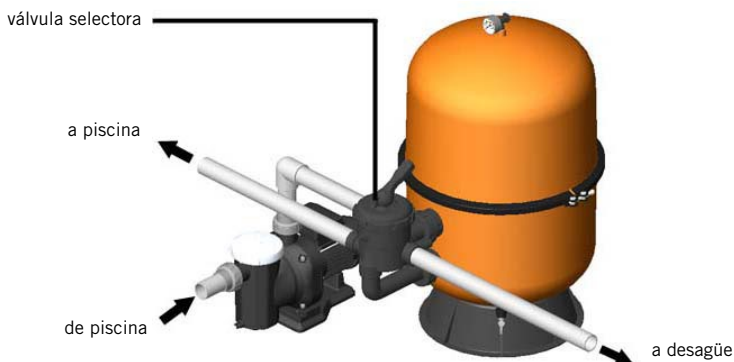
El filtro propiamente dicho lo compone la carga de arena sílica a través de la cual se hace circular el agua en sentido descendente, reteniendo entre ella las materias en suspensión del agua a filtrar.

Una vez iniciado el ciclo de filtración y al cabo de cierto tiempo será preciso lavar el filtro, ya que la arena se habrá obstruido con la suciedad, impidiendo el paso del agua.

Cuando la presión en el filtro se ha incrementado de 0,5 Kg/cm² o más respecto a la presión inicial, significa que es la hora de un lavado.

Con el lavado a contra-corriente se consigue invertir el sentido de circulación del agua en el filtro y con ello se expulsa al desagüe las materias filtradas.

Teniendo presente estos datos importantes, las instrucciones de manejo que a continuación se detallan no deben de ofrecer dificultad para su aplicación.



INSTALACIÓN

El filtro deberá instalarse lo más cerca posible de la piscina y con preferencia a un nivel de 0,50 m por debajo de la superficie de agua de la piscina. Prever que exista un desagüe para el local en donde radique el filtro.

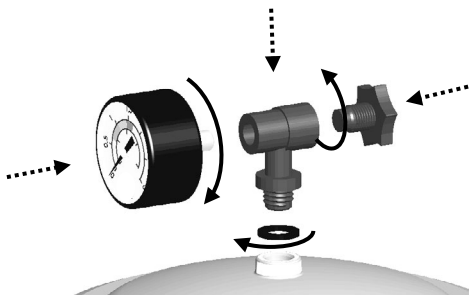
IMPORTANTE: No usar para el empalme de la válvula selectora tubería de hierro y cáñamo, es imprescindible usar accesorios plásticos y cinta de teflón. Disponemos para estos empalmes de terminales roscados a 1½" y 2" y juntas de goma de estanqueidad, solicítelos a su proveedor.

Alrededor del filtro tiene que haber el espacio suficiente para poder hacer las inspecciones y mantenimientos requeridos durante la vida del mismo.

MONTAJE

Para un correcto montaje del filtro proceder de la siguiente manera:

- 1.-Procurar que la superficie donde se instale el filtro sea horizontal y esté completamente limpia.
- 2.-Instalar el filtro en su emplazamiento final.
- 3.-En el caso de un filtro con válvula lateral, instalar la válvula selectora en el filtro, procurando que las juntas entre la válvula y el filtro queden correctamente posicionadas.
- 4.-Realizar las tres conexiones pertinentes de la válvula selectora: tubería de la bomba a la válvula, de la válvula al desagüe y de la válvula al retorno de la piscina. En la válvula se identifica cada una de las tres salidas.
- 5.-Montar la te manómetro, la junta, el manómetro y el tapón purga aire (ver despiece). **No utilizar cinta de teflón, ya que la estanqueidad en este punto se hace con la junta.** No apretar la te manómetro con ninguna herramienta ya que con las manos es suficiente.



MONTAJE MANÓMETRO (CON VÁLVULA LATERAL)

CARGA DE ARENA

Para obtener el máximo rendimiento de este filtro deberá rellenarse con arena silíceas de una granulometría de 0,5 a 0,7 mm. Con la cantidad indicada en la placa de características, proceder como sigue:

Efectuar la carga una vez esté situado el filtro en su emplazamiento e instaladas las tuberías de unión.

1. Desatornillar los tornillos de cierre y retirar el Conjunto cierre zuncho.
- 2.-Retirar la tapa y la junta, tener en cuenta que no se caiga el Aro protección cierre.

- 3.-Llenar el filtro con agua hasta la mitad del mismo.
- 4.-Verter en el interior del filtro, **despacio y con mucha atención**, la cantidad de arena necesaria.
- 5.-Limpiar el alojamiento de la junta de la tapa.
- 6.-Colocar y sujetar la tapa del filtro.
- 7.-Volver a colocar el zuncho y atornillar los tornillos.

Atención: cuando esté en funcionamiento comprobar que el filtro no pierda agua por el zuncho.

Nota: el fabricante no se hace responsable de cualquier daño ocasionado al filtro mientras se realiza el llenado del filtro con arena.

FUNCIONAMIENTO

La válvula selectora dispone de una palanca con 6 posiciones que permite seleccionar cualquier de las operaciones necesarias para un correcto funcionamiento del filtro.

IMPORTANTE: Efectuar siempre los cambios de posición de la válvula selectora, con la bomba parada.

FILTRACIÓN

Con la bomba parada situar la maneta de la válvula selectora en "FILTRACIÓN".

Poner en marcha la bomba.

La primera vez que se ponga en funcionamiento se debe observar el manómetro que presión indica, se recomienda apuntarla, ya que más adelante nos servirá para saber si el filtro está sucio y hemos de proceder a un "LAVADO". Se debe realizar un "LAVADO" cuando el manómetro indica un incremento de 0,5 kg/cm² respecto a la presión inicial del filtro. Es conveniente observar periódicamente el manómetro.

Se debe tener en cuenta que las válvulas del fondo de la piscina y skimmers se regularán según la cantidad de materias flotantes que se encuentren en la superficie del agua. Téngase presente que con la válvula del sumidero totalmente abierta la aspiración por los skimmers será pequeña. Si se desea que el barrido superficial de los skimmers sea más enérgico basta con estrangular el paso del sumidero.

Ejemplo:



0,8 kg/cm² – 11,4 PSI: Presión inicial de un filtro al iniciar un ciclo de filtración



1,3 kg/cm² – 18,5 PSI: La presión es 0,5 kg/cm² superior a la inicial, esto indica que es necesario proceder al LAVADO

LAVADO

Cada carga de arena forma miles de canales de paso, que recogen todas las materias que contienen y que quedan retenidas en la arena filtrante y en consecuencia el número de canales libres del paso del agua va disminuyendo constantemente. Es por este motivo que la presión se eleva progresivamente hasta alcanzar un incremento de 0,5 kg/cm². Esto indica que la arena filtrante no puede admitir más suciedad y es necesaria su limpieza procediendo de la siguiente forma:

Se colocará la válvula selectora en posición "LAVADO", y con las válvulas de sumidero y retorno abiertas, se pondrá en funcionamiento la bomba. Efectuar esta maniobra durante 2 minutos. Con esta operación se habrá vertido al desagüe toda la suciedad que obstruía el filtro.



RECIRCULACIÓN

En esta posición la válvula selectora efectúa el paso del agua procedente de la bomba directamente a la piscina, sin pasar por el interior del filtro.



VACIADO

En el caso de que la piscina no pueda desaguar directamente al alcantarillado, por no existir desagüe a nivel del fondo de la piscina, el vaciado puede realizarse por medio de la bomba del filtro. Para efectuar esta operación se deberá situar la válvula selectora en posición de "VACIADO". Con la válvula de sumidero abierta se conectará el motor. Para que la bomba aspire, tienen que mantenerse llenos de agua el prefiltro y toda la conducción de agua del sumidero.



Antes de conectar el vaciado se asegurará que las válvulas de skimmers y limpiafondos están cerradas.

ENJUAGUE

Después de haber realizado un "LAVADO" del filtro y poner la instalación en posición de "FILTRACIÓN", el agua durante unos segundos afluye a la piscina de color turbio, con el fin de evitar que esta agua turbia circule a la piscina existe esta posición de la válvula selectora "ENJUAGUE". Operar como sigue: Inmediatamente después del "LAVADO" situar la válvula en posición de "ENJUAGUE" y conectar la bomba durante 1 minuto, transcurrido éste parar la bomba y situar la válvula en "FILTRACIÓN".



Esta posición envía el agua filtrada directamente al desagüe.

CERRADO

Como su nombre indica se utiliza para cerrar el paso del agua de la bomba al filtro, se utiliza para poder abrir el cesto recoge-cabellos (prefiltro) de la bomba.



PUESTA EN MARCHA

Una vez cargado el filtro de arena es necesario efectuar un lavado de la misma. Proceder del modo siguiente:

- 1.- Abrir el tapón purga aire, para que purgue el aire.
- 2.- Colocar la válvula selectora en la posición de "LAVADO".
- 3.- Abrir las válvulas que controlan las tuberías de aspiración de piscina y conectar la bomba, durante 4 minutos, aprox.
- 4.- Parar la bomba, colocar la válvula en posición "ENJUAGUE" y enjuagar durante 1 minuto, aprox. Después, parar la bomba y colocar la maneta de la válvula selectora en posición "FILTRACIÓN".
- 5.- Cerrar el tapón purga aire cuando salga agua.

Una vez realizada esta operación dispondremos del filtro preparado para empezar los ciclos de filtración del agua de la piscina.

IMPORTANTE: Efectuar los cambios de posición de la maneta de la válvula selectora con la bomba desconectada.

MANTENIMIENTO

Para limpiar el filtro no utilizar disolventes, ya que puede desaparecer el brillo del mismo y resultar dañado.

Sustituir cuando lo precisen las piezas y juntas deterioradas.

Realizar los lavados y enjuagues necesarios según las instrucciones de funcionamiento.

Limpiar la arena anualmente para un mejor servicio con ASTRAL Filnet sólido o Filnet líquido. Se recomienda cambiar la arena cada 3 años aproximadamente.

Invernaje, para no dañar el filtro durante el periodo de invernaje es necesario realizar las siguientes operaciones:

Realizar un lavado y enjuague según las instrucciones anteriores.

Vaciar el filtro de agua.

Quitar la tapa del filtro para mantenerlo ventilado durante el periodo de inactividad.

Cuando sea necesario volver a poner el filtro en funcionamiento, seguir las instrucciones de PUESTA EN MARCHA.

AVERÍAS MÁS USUALES

PROBLEMA	POSIBLE CAUSA	SOLUCION
El filtro da poco caudal de agua filtrada. El limpiafondos aspira poco agua.	Filtro cabellos taponado.	Limpiar filtro cabellos.
	Motor gira al revés.	Comprobar que el motor esté bien conexionado.
	Tuberías de aspiración o impulsión taponadas.	Proceder a su limpieza.
Manómetro de presión oscila de forma violenta.	La bomba toma aire.	Reparar fugas de agua en filtro de cabellos y tuberías aspiración.
	Aspiración semicerrada.	Comprobar que las válvulas de aspiración estén totalmente abiertas.

ADVERTENCIAS DE SEGURIDAD

No haga funcionar el equipo sin agua.

Siempre que deba manipular el filtro o válvula, desconéctelo de la toma de corriente.

No permita a niños o adultos sentarse sobre el equipo.

No conectar directamente el filtro a la red de agua, ya que la presión de la misma puede ser muy elevada y exceder la presión máxima de trabajo del filtro.

No utilizar el circuito de filtración para el llenado y la regulación del nivel de agua de la piscina. Un error de manipulación puede producir una sobrepresión en el filtro.

No limpiar el conjunto de la tapa con ningún tipo de disolvente, ya que podría perder sus propiedades (brillo, transparencia,...)

Debido a que todas las uniones se hacen con juntas, no es necesario apretar las tuercas excesivamente a fin de evitar la rotura de las diferentes piezas de plástico.

NO utilizar teflón en la pieza Té del Kit manómetro, código 00545R0300, para asegurar la estanqueidad.

Certificado de Garantía

1. ASPECTOS GENERALES

- 1.1 De acuerdo con estas disposiciones, el vendedor garantiza que el producto correspondiente a esta garantía no presenta ninguna falta de conformidad en el momento de su entrega.
- 1.2 El Periodo de Garantía para el Producto es de dos (2) años y se calculará desde el momento de su entrega al comprador.
- 1.3 Si se produjera una falta de conformidad del Producto y el comprador lo notificase al vendedor durante el Periodo de Garantía, el vendedor deberá reparar o sustituir el Producto a su propio coste en el lugar donde considere oportuno, salvo que ello sea imposible o desproporcionado.
- 1.4 Cuando no se pueda reparar o sustituir el Producto, el comprador podrá solicitar una reducción proporcional del precio o, si la falta de conformidad es suficientemente importante, la resolución del contrato de venta.
- 1.5 Las partes sustituidas o reparadas en virtud de esta garantía no ampliarán el plazo de la garantía del Producto original, si bien dispondrán de su propia garantía.
- 1.6 Para la efectividad de la presente garantía, el comprador deberá acreditar la fecha de adquisición y entrega del Producto.
- 1.7 Cuando hayan transcurrido más de seis meses desde la entrega del Producto al comprador y éste alegue falta de conformidad de aquél, el comprador deberá acreditar el origen y la existencia del defecto alegado.
- 1.8 El presente Certificado de Garantía no limita o prejuzga los derechos que correspondan a los consumidores en virtud de normas nacionales de carácter imperativo.

2. CONDICIONES PARTICULARES

- 2.1 La presente garantía cubre los siguientes productos y familias de los siguientes productos : Filtros modelo BILBAO.
- 2.2 Para la eficacia de esta garantía, el comprador deberá seguir estrictamente las indicaciones del Fabricante incluidas en la documentación que acompaña al Producto, cuando ésta resulte aplicable según la gama y modelo del Producto.
- 2.3 Cuando se especifique un calendario para la sustitución, mantenimiento o limpieza de ciertas piezas o componentes del Producto, la garantía sólo será válida cuando se haya seguido dicho calendario correctamente.
- 2.4 El fabricante del producto ofrece la posibilidad de extender la garantía de los filtros Bilbao a partir del tercer año hasta el quinto o el décimo en función del modelo según lo indicado más adelante. Esta Extensión de Garantía se rige por las siguientes condiciones:
 - 2.4.1 Cobertura de la Extensión de Garantía por el Fabricante: Ante defecto o falta de conformidad en la cuba o recipiente del filtro, el fabricante reparará o sustituirá, a su criterio, el filtro.
 - 2.4.2 La sustitución deberá significar por parte del comprador la aceptación del pago de un cargo variable en función de la antigüedad del producto, en base los siguientes cuadros:

Periodo de tiempo desde la fecha de adquisición para los filtros modelo BILBAO.	Porcentaje a pagar de la tarifa de precios vigente, en el momento de la reclamación
A partir de 2 hasta 4 años	60%
A partir de 4 hasta 5 años	80%

- 2.4.3 El fabricante del filtro ofrece también la posibilidad de extender una garantía adicional durante el tercer año para los componentes internos y externos del filtro.
- 2.4.4 Queda expresamente excluido de cualquier extensión de garantía el medio filtrante
- 2.4.5 Otras condiciones durante la extensión de garantía, a partir del tercer año:
 - En caso de sustitución, todos los cargos o gastos de flete hacia o desde la fábrica, mover o reinstalar el producto, o instalación del recambio, son a cargo del comprador.
 - En caso de reparación, los gastos derivados de la mano de obra y desplazamiento irán a cargo del comprador.
 - El fabricante no se hace responsable de perjuicios y gastos por paralización de la actividad, así como tiempos y materiales derivados de la sustitución o reposición de los productos.
 - El fabricante no autoriza a otras personas a extender ninguna garantía respecto a sus artículos ni tampoco asume estar sujeto a ninguna garantía no autorizada hecha en conexión con el vendedor de sus productos.
- 2.4.6 Los requerimientos de servicio del fabricante durante el periodo de extensión de garantía deberán hacerse a través del vendedor o instalador que hubiera suministrado el producto al comprador.
- 2.4.7 Para la efectividad del periodo de extensión de garantía, el comprador deberá acreditar la fecha de adquisición y entrega del producto.
- 2.4.8 La extensión de garantía no será efectiva si el producto hubiera sido inspeccionado o reparado por personal no autorizado por el fabricante.
- 2.4.9 La extensión de garantía a partir del tercer año no implica ni presupone garantía adicional por parte del fabricante a la otorgada por el vendedor durante los dos primeros años.

3. LIMITACIONES

- 3.1 La presente garantía únicamente será de aplicación en aquellas ventas realizadas a consumidores, entendiéndose por "consumidor", aquella persona que adquiere el Producto con fines que no entran en el ámbito de su actividad profesional.
- 3.2 No se otorga ninguna garantía respecto del normal desgaste por uso del producto. En relación con las piezas, componentes y/o materiales fungibles o consumibles como arena, anillas, etc., se estará a lo dispuesto en la documentación que acompañe al Producto, en su caso.
- 3.3 La garantía no cubre aquellos casos en que el Producto: (i) haya sido objeto de un trato incorrecto; (ii) haya sido inspeccionado, reparado, mantenido o manipulado por persona no autorizada; (iii) haya sido reparado o mantenido con piezas no originales o (iv) haya sido instalado o puesto en marcha de manera incorrecta.
- 3.4 Cuando la falta de conformidad del Producto sea consecuencia de una incorrecta instalación o puesta en marcha, la presente garantía sólo responderá cuando dicha instalación o puesta en marcha esté incluida en el contrato de compra-venta del Producto y haya sido realizada por el vendedor o bajo su responsabilidad.
- 3.5 Daños o fallos del filtro debido a la exposición a temperaturas inferiores a 0°C (32° F) o superiores a 50°C (125° F).
- 3.6 Daños o fallos del filtro producidos por golpes de ariete o a consecuencia de un sobredimensionamiento de las bombas del sistema de filtración.

IMPORTANTE: Il manuale d'istruzioni in suo possesso contiene informazioni fondamentali sulle misure di sicurezza da adottare per l'installazione e la messa in servizio. Per ciò è imprescindibile che sia l'installatore che l'utente leggano le istruzioni prima di iniziare il montaggio e la messa in servizio.

Conservi questo manuale per poter consultare in futuro in merito al funzionamento di questo apparecchio.

Per ottenere un ottimo rendimento dello Filtro, è conveniente fare attenzione alle seguenti istruzioni:

COSA OCCORRE CON L'ACQUA DELLA SUA PISCINA?

Logicamente questa è la prima domanda che dobbiamo porci. In passato la maggior parte delle piscine non disponevano della installazione di un depuratore e funzionavano semplicemente riempiendo con acqua limpida e, trascorso un certo numero di giorni quando l'acqua presentava un aspetto sgradevole, si svuotavano, si pulivano e si riempivano nuovamente. Questa soluzione senza alcun dubbio rappresenta vari inconvenienti: spese dia acqua, insialubrità della piscina e un bagno poco gradevole dovuto alla insufficiente limpidezza dell'acqua. La società attuale esige: economia, igiene e comodità, per queste ragioni dobbiamo dotare alle piscine delle installazione e trattamenti necessari.

Quando si riempie in state la piscina con acqua potabile o del pozzo, generalmente si deve osservare che questa sia limpida, però restando esposta al sole e all'aria si verificano due fenomeni comuni:

1.-L'acqua si contamina dai microorganismi che esistono nell'atmosfera più quelli che introducono i bagnanti e non avendo ossigenazione si ristagna riproducendo parassiti nella piscina formando alghe. Questa formazione di vita viene favorita per la temperatura ambiente elevata prendendo l'acqua una colorazione verde.

2.-L'aria e la pioggia introduce nell'acqua quantità di polvere, terra e foglie che la intorbidiscono.

Questi due fattori che incidono sopra la piscina, logorano in poche ore o in pochi giorni con il seguente risultato: una piscina totalmente amigienica e niente piacevole per il bagno.

Il modo di combattere questi due problemi sono:

1.-TRATTAMENTO "CHIMICO"

Si manterrà nell'acqua una quantità di disinfettante (cloro, bromo, ossigeno...) sufficiente perchè i batteri e i microorganismi che si introducono in essa possono essere distrutti al momento.

Indichiamo il cloro perchè è che il metodo più usuale per questo fine.

2.-TRATTAMENTO "FISICO"

Dotando la piscina di un filtro che per mezzo di una pompa trattenga all'interno tutta la materia in sospensione dell'acqua.

IL pH

Il pH è il grado di acidità dell'acqua. I valori del pH sono compresi entro 0 e 14, corrispondendo al valore 7 grado neutro, i valori entro 0 e 7 i gradi acidi e entro 7 e 14 sono alcalini. I valori usuali in una piscina sono compresi entro il 6,8 e 8,4.

PERCHE E IMPORTANTE IL ph?

"Il valore ideale del pH nella piscina deve essere situato entro 7,2 e 7,6". Precedentemente si indica che per la distruzione dei batteri, dobbiamo mantenere nell'acqua una quantità di cloro residuo sufficiente per esso; però questo cloro sarà efficace come battericida quando il valore dell'acqua avrà il pH compreso tra il 7,2 e 7,6. Per distruggere i batteri si devono mantenere i valori menzionati.

Esistono altri fattori che obbligano a mantenere il pH perfetto. Se è superiore a 7,6 il calcio disciolto nell'acqua precipiterà in forma visibile intorbidendo l'acqua, dandole un aspetto latiginoso, ostruendo rapidamente il filtro precipitando sul fondo e intaccando gli accessori della piscina. Quando il valore del pH è inferiore a 7,2, l'acqua sarà corrosiva, producendo irritazione agli occhi e mucose nasali, potendo arrivare a distruggere le parti metalliche che possono comporre la piscina.

Per quanto detto si può dedurre che il grado di qualità dell'acqua della piscina dipende dal valore del pH che ha.

IL CLORO

Norme legali

Le disposizioni sanitarie vigenti determinano che il contenuto di cloro libero nell'acqua della piscina deve essere compreso entre 0,20 a 0,60 miligrammi per litro (0,2 a 0,6 ppm.).

Cosa si intendere per cloro libero o residuo

Nell'acqua, dopo filtrata, esistono una serie di nemici invisibili che è giusto distruggere.

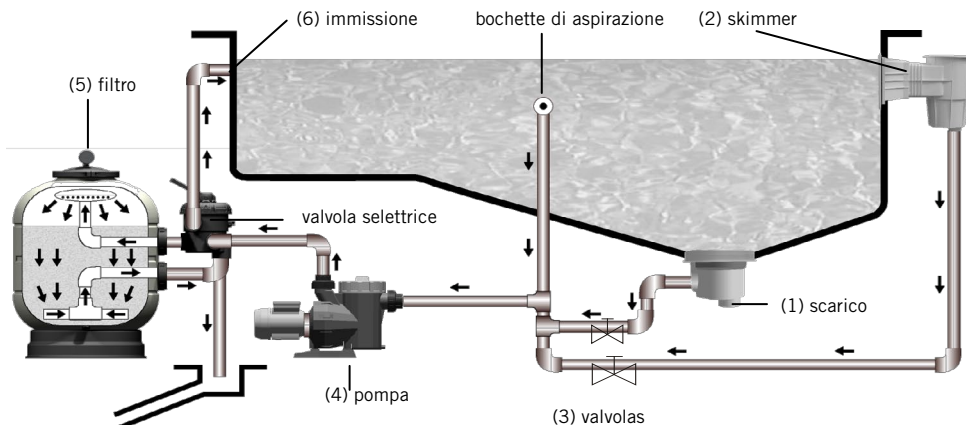
Per questa distruzione è necessaria una quantità determinata di cloro che abbassi la forma di acido ipocloroso. I batteri, la materia organica ecc. si introducono nell'acqua attraverso bagnanti, agenti atmosferici (vento, pioggia, ecc.).

Il cloro che rimane nell'acqua sotto forma di acido ipocloroso si denomina **CLORO LIBERO** o **RESI-DUO**.

LA FILTRAZIONE

La filtrazione, è solo una parte del lavoro da realizzare per mantenere limpida una piscina oltre al trattamento chimico. Sia l'una che l'altra da sole non possono conseguire un buon risultato.

PRINCIPIO DI FUNZIONAMENTO

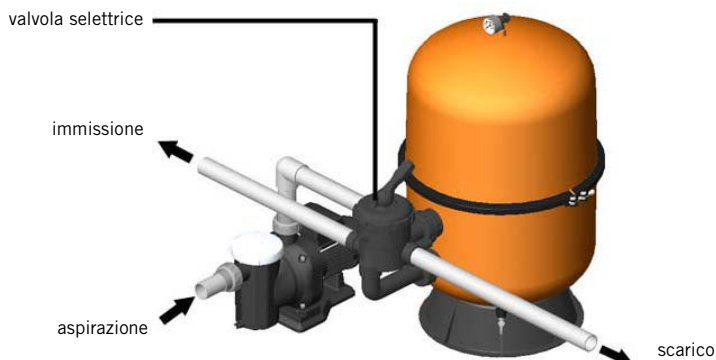


L'acqua si aspira dal fondo delle piscine attraverso lo scarico (1) e dalla superficie tramite gli skimmers (2), arrivando al filtro (5) con tubi separati provvisti dalle rispettive valvole (3) e ritornando alla piscina attraverso le bocchette (6). Le bocchette di immissione vanno installati sul lato opposto dello scarico e degli skimmers, proporzionando in questa maniera una rinnovazione totale dell'acqua della piscina. Il filtro propriamente detto lo compone la sabbia quarzifera o silicea attraverso al quale si fa circolare l'acqua dall'alto verso il basso, trattenendo in esso i materiali in sospensione dell'acqua da filtrare.

Una volta iniziato il ciclo di filtrazione, dopo un certo tempo, sarà necessario lavare il filtro per sottrarre alla sabbia lo sporco che si è venuto a depositare favorendo così il passaggio dell'acqua che si era venuta ad ostruire. Quando la pressione nel filtro è incrementata di 0,5 Kg./cm² o più con riguardo alla pressione iniziale, bisogna effettuare un lavaggio.

Con il lavaggio in contro corrente si inverte la circolazione dell'acqua nel filtro e con ciò si espelle a scarico il materiale filtrato.

Tenendo presente questi dati importanti, le istruzioni di trattamento e alcuni dettagli, non si avrà alcuna difficoltà ad avere efficienza in tutto.



INSTALLAZIONE

Il filtro dovrà installarsi il più vicino possibile all piscina e preferibilmente ad un livello di 0,50 mt. sotto il livello dell'acqua della piscina. Precedere uno scarico nel locale dove è situato il filtro.

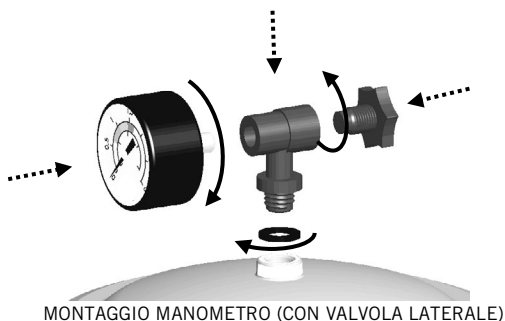
IMPORTANTE: Non usare per il montaggio della valvola selettoria tubi di ferro e canapa, è indispensabile usare accessori in plastica e nastro di TEFLON. Disponiamo per questo montaggio raccordi filettati da 1 ½ " e 2" e guarnizioni in gomma di tenuta, chiedeteli al vostro fornitore.

Intorno al filtro lasciare lo spazio sufficiente per poter realizzare le ispezioni e le operazioni di manutenzione necessarie durante il corso della vita utile dello stesso.

MONTAGGIO

Per un montaggio corretto del filtro, si renderà necessario procedere nella seguente maniera:

- 1.-Fare in modo tale che la superficie dove venga installato il filtro sia orizzontale e completamente pulita.
- 2.-Installare il filtro nella sua sede finale.
- 3.-Nel caso in cui si tratti di un filtro con valvola laterale, si renderà necessario installare la valvola di selezione nel filtro, facendo in modo tale che le giunture tra la valvola e il filtro vengano posizionate in modo corretto.
- 4.-Realizzare i tre allacci pertinenti della valvola selettoria: tubatura dalla pompa alla valvola, dalla valvola allo scarico e dalla valvola al ritorno della piscina. Nella valvola sono identificate tutte le tre uscite.
- 5.-Montare il manometro e il tappo per la purga dell'aria (vedi illustrazione di montaggio). **Non è necessario utilizzare nastro di teflon, dato che la tenuta stagna di questo punto viene ottenuta con la giuntura.** Non bisogna stringere il manometro con alcuno strumento, dato che è sufficiente farlo con le mani.



MONTAGGIO MANOMETRO (CON VALVOLA LATERALE)

CARICO DI SABBIA

Per ottenere il massimo rendimento di questo filtro dovrà riempirsi con sabbia quarzifera o silicea di una granulometria da 0,5 a 0,7 mm., in quantità sufficiente descritta sull'etichetta e procedere come segue:

Togliere il coperchio e la guarnizione.

- 1.- Svitare le viti di chiusura e togliere la ghiera.
- 2.- Effettuare il carico una volta situato il filtro ed installata la tubazione, fare attenzione che non cada l'anello di protezione della chiusura.
- 3.- Riempire il filtro con acqua fino a metà dello stesso.
- 4.- Riempire il filtro, **lentamente e con molta attenzione**, con la quantità di sabbia necessaria.
- 5.- Pulire la sede della guarnizione del coperchio.
- 6.- Rimettere la guarnizione ed il coperchio e stringere con le viti.
- 7.- Collocare di nuovo la ghiera e avvitare le viti.

Attenzione: quando sia in funzionamento, verificare che il filtro non perda acqua dalla ghiera.

Nota: il fabbricante non è responsabile di qualsiasi danno provocato al filtro quando si realizza il riempimento del filtro con arena.

FUNZIONAMENTO

La valvola di selezione dispone di una leva con 6 posizioni che consente di selezionare ciascuna delle operazioni necessarie a un corretto funzionamento del filtro.

IMPORTANTE: effettuare sempre i cambi di posizione della valvola di selezione con la pompa spenta.

FILTRAZIONE

Con la pompa spenta situare la maniglia della valvola selettoria in posizione di "FILTRAZIONE".

Mettere in funzione la pompa.

La prima volta che si metta in funzionamento, si deve osservare la pressione indicata dal manometro, si consiglia di annotarla, perché più avanti sarà utile per sapere se il filtro è sporco e si debba procedere ad un "LAVAGGIO". Il "LAVAGGIO" si deve realizzare quando il manometro indica un incremento di 0,5 kg/cm² con riguardo alla pressione iniziale del filtro. È consigliabile controllare periodicamente il manometro.

Si deve considerare che le valvole del fondo della piscina e gli skimmer devono essere regolati secondo la quantità di materie flottanti che si trovino sulla superficie dell'acqua. Da tener presente che la valvola dello scarico di fondo totalmente aperta, l'aspirazione dello skimmer sarà inferiore. Se si desidera un'aspirazione dello skimmer più forte sarà sufficiente strozzare il passo dello scarico di fondo.



Esempio:



0,8 kg/cm² - 11,4 PSI: Pressione iniziale di un filtro all'inizio di un ciclo di filtraggio



1,3 kg/cm² - 18,5 PSI: La pressione è di 0,5 kg/cm² superiore a quella iniziale, ciò significa che è necessario procedere al LAVAGGIO

LAVAGGIO

Quando si riempie il filtro di sabbia, si creano molti canali preferenziali ma, poichè essa contiene materiale estranei ciò evita gradualmente il passaggio dell'acqua. Ed è per questo motivo che la pressione si eleva progressivamente fino a un incremento di 0,5 kg/cm². Questo indica che il letto filtrante non può sopportare più sporcizia quindi, sarà necessario pulirlo procedendo nella seguente maniera:

Si colloca la valvola selettoria in posizione di Lavaggio (LAVADO) e con le valvole dello scarico di fondo e mandata aparte si metterà in funzione la pompa. Effettuare questa operazione per due minuti.

Con questa manovra si scaricherà a fogna tutta la sporcizia che ostruiva il filtro.



RICIRCOLAZIONE

In questa posizione la valvola selettoria effettuerà il passaggio dell'acqua procedendo dalla direttamente alla piscina senza passare dal filtro.



SCARICO

Nel caso che la piscina non si possa scaricare direttamente alla fognatura, poichè non esiste scarico al livello del fondo, lo scarico si può effettuare tramite la pompa del filtro. Per effettuare questa operazione si dovrà situare la valvola selettiva in posizione di scarico (VACIADO).

Con la valvola dello scarico di fondo aperta si attacherà il motore.

Perchè la pompa aspiri è necessario mantenere pieno di acqua il cestello e tutta la tubazione dello scarico di fondo.

Prima di iniziare lo scarico assicurarsi che le valvole degli skimmers e delle bocchette aspirafango siano chiuse.



RISCIACQUO

Dopo aver realizzato il LAVAGGIO del filtro e messa la valvola selettiva in posizione di "FILTRAZIONE", l'acqua, per alcuni secondi, affluisce in piscina con un colore torbido. Per evitare che l'acqua torbida circoli in piscina esiste questa posizione della valvola selettiva RISCIACQUO (ENJUAGUE).

Operare come segue: subito dopo il lavaggio situare la valvola in posizione di RISCIACQUO ed attaccare la pompa per un minuto, trascorso tale tempo spegnere la pompa e situare la valvola in posizione di "FILTRAZIONE".



CHIUSO

Si utilizza per chiudere il passaggio dell'acqua dalla pompa al filtro. Si utilizza per poter aprire il coperchio della pompa dovendo pulire il cestello.



MESSO IN FUNZIONE

Una volta caricato il filtro di sabbia è necessario effettuare un lavaggio della stessa e procedere nel seguente modo:

- 1.- Aprire il tappo di purga dell'aria, affinché purghi l'aria.
- 2.- Collocare la valvola selettiva in posizione di lavaggio.
- 3.- Aprire le valvole che controllano le tubazioni di aspirazione ed attaccare la pompa per 4 minuti,
- 4.- Staccare la pompa e collocare la maniglia della valvola selettiva in posizione di FILTRAZIONE.
- 5.- Chiudere il tappo di purga dell'aria quando esca acqua.

Una volta realizzata questa operazione disporremo del filtro pronto per iniziare i cicli di filtrazione dell'acqua della piscina.

IMPORTANTE: Effettuare i cambi di posizione della maniglia della valvola selettiva con la pompa ferma.

MANUTENZIONE

Per pulire il filtro non bisogna utilizzare solventi, dato che ciò può danneggiarlo e eliminare la brillantezza dello stesso.

Quando necessario, bisogna sostituire le giunte e i pezzi deteriorati.

Realizzare i lavaggi e gli sciacqui necessari in base alle istruzioni di funzionamento.

Lavare la sabbia annualmente per un miglior servizio con ASTRAL Filnet solido oppure Filnet liquido. Si consiglia di cambiare la sabbia circa tutti i 3 anni.

Conservazione durante il periodo di svernamento, per non danneggiare il filtro durante il periodo invernale, si renderà necessario realizzare le seguenti operazioni:

Realizzare un lavaggio e uno sciacquo secondo le istruzioni precedentemente indicate.

Svuotare l'acqua dal filtro.

Togliere il coperchio del filtro per mantenerlo ventilato durante il periodo d'inattività.

Quando sia necessario rimettere il filtro in funzionamento, basterà seguire le istruzioni di MESSA IN MARCIA.

AVARIE PIÙ USUALI

EFFETTO	CAUSA	SOLUZIONE
Il filtro da poca portata di acqua filtrata. L'aspirafango aspira con poca acqua.	Filtro con capelli intasati.	Pulire il filtro dai capelli.
	Motore che gira nel senso inverso.	Controllare la freccia che esiste sul corpo del motore, in caso girasse nel senso inverso, invertire il collegamento dei fili.
	Tubi di aspirazione e di mandata intasati.	Procedere alla pulizia.
Manometro di pressione che oscilla con una certa violenza.	La pompa aspira aria.	Pulire il cestello del prefiltro ed eventualmente le tubazioni di aspirazione.
	Aspirazione semi-chiusa.	Controllare che le valvole di aspirazione siano totalmente aperte.

AVVERTIMENTI DI SICUREZZA

Non metta in funzionamento il sistema senza acqua.

Quando deve manipolare il filtro o la valvola, disinserisca la presa di corrente.

Non consenta a bambini o adulti di sedersi sul sistema.

Non bisogna connettere direttamente il filtro alla rete dell'acqua, dato che la pressione della stessa può essere molto elevata ed eccedere la pressione massima di lavoro del filtro.

Non utilizzare il circuito di filtraggio per il riempimento e la regolazione del livello dell'acqua della piscina. Un errore di manipolazione può produrre un sovraccarico di pressione nel filtro.

Non bisogna pulire l'insieme del coperchio con nessun genere di dissolvente, dato che potrebbe perdere le sue proprietà (brillantezza, trasparenza,...)

Dato che tutte le unioni vengono realizzate con giunte, non è necessario stringere eccessivamente i bulloni, per evitare la rottura dei vari pezzi di plastica.

NON utilizzare teflon nel pezzo T del Kit manometro, codice 00545R0300, per assicurare la tenuta stagna.

Certificato di garanzia

1. ASPETTI GENERALI

- 1.1. Ai sensi di queste disposizioni, il venditore garantisce che il prodotto corrispondente a questa garanzia non presenta alcun difetto di conformità al momento della sua consegna.
- 1.2. Il Periodo di Garanzia per il Prodotto è di due (2) anni a decorrere dal momento della consegna dello stesso all'acquirente.
- 1.3. Nel caso in cui si venisse a produrre un difetto di conformità del Prodotto e l'acquirente lo notificasse al venditore entro il Periodo di Garanzia, il venditore dovrà riparare o sostituire il Prodotto a sue spese nel luogo che consideri opportuno, salvo che ciò risulti impossibile o sproporzionato.
- 1.4. Qualora non fosse possibile riparare o sostituire il Prodotto, l'acquirente potrà richiedere una riduzione proporzionale del prezzo o, nel caso in cui il difetto di conformità fosse sufficientemente importante, lo scioglimento del contratto di vendita.
- 1.5. Le parti sostituite o riparate in virtù della presente garanzia non rappresenteranno un prolungamento della scadenza della garanzia del Prodotto originale, quantunque disporranno di una loro propria garanzia.
- 1.6. Affinché la presente possa essere valida, l'acquirente dovrà attestare la data di acquisto e consegna di del Prodotto.
- 1.7. Una volta trascorsi più di sei mesi dalla consegna del Prodotto all'acquirente, qualora quest'ultimo dichiara un difetto di conformità del medesimo, l'acquirente dovrà attestare l'origine e l'esistenza del difetto dichiarato.
- 1.8. Il presente Certificato di Garanzia non limita o preclude i diritti che corrispondano ai consumatori in virtù delle norme nazionale di carattere imperativo.

2. CONDIZIONI PARTICOLARI

- 2.1. La presente garanzia copre i seguenti prodotti e famiglie dei seguenti prodotti: filtri modello CANTABRIC, BILBAO, CEL e TERRA
- 2.2. Per la validità di questa garanzia, l'acquirente dovrà rispettare in maniera rigorosa le indicazioni del Fabbrikante indicate nella documentazione che viene allegata al Prodotto, quando questa risulti applicabile secondo la gamma e il modello del Prodotto.
- 2.3. Nel caso in cui venga specificato un calendario per la sostituzione, la manutenzione o la pulizia di determinati pezzi o componenti del Prodotto, la garanzia sarà valida solo quando qualora detto calendario sia stato rispettato in maniera corretta.
- 2.4. Il fabbricante del prodotto offre la possibilità di estendere la garanzia dei filtri Cantabric, Bilbao, Cel e Terra a partire dal terzo anno fino al quinto o al decimo, in funzione del modello, in base ai parametri indicati più avanti. Questa estensione di garanzia si baserà sulle seguenti condizioni:

- 2.4.1 Copertura dell'estensione di garanzia da parte del fabbricante: in caso di difetto o in conformità della vasca o del recipiente del filtro, il fabbricante procederà a riparare o a sostituire il filtro, secondo il suo criterio.
- 2.4.2 La sostituzione dovrà comportare da parte dell'acquirente l'accettazione del pagamento di un prezzo variabile in funzione dell'età del prodotto, in base ai seguenti quadri:

Periodo di tempo dalla data di acquisto per i filtri dei modelli BILBAO, CEL e TERRA	Percentuale da pagare della tariffa dei prezzi in vigore, al momento della reclamazione
Dalli 2 fino a 4 anni	60%
Dalli 4 fino a 5 anni	80%

- 2.4.3 Il fabbricante del filtro offre anche la possibilità di estendere una garanzia supplementare durante il terzo anno con i componenti interni ed esterni del filtro.
- 2.4.4 È espressamente escluso da qualsiasi estensione di garanzia il mezzo filtrante
- 2.4.5 Altre condizioni durante l'estensione di garanzia, a partire dal terzo anno:

- In caso di sostituzione, tutte le spese o i costi di trasporto verso o dalla fabbrica, muovere o reinstallare il prodotto, o l'installazione del ricambio, sono a carico dell'acquirente.
- In caso di riparazione, le spese causate dalla manodopera e dalla trasferta saranno a carico dell'acquirente.
- Il fabbricante non è responsabile dei danni e delle spese causate dalla paralizzazione dell'attività, nonché dai tempi e i materiali che derivino dalla sostituzione o ricambio dei prodotti.

- Il fabbricante non autorizza altre persone ad estendere alcuna garanzia in merito ai suoi articoli né accetta di essere soggetto ad alcuna garanzia non autorizzata realizzata in connessione con il venditore dei suoi prodotti.

- 2.4.6 Le richieste di servizio del fabbricante durante il periodo di estensione di garanzia dovranno essere realizzate attraverso il venditore o installatore che abbia fornito il prodotto all'acquirente.
- 2.4.7 Per l'effettività del periodo di estensione di garanzia, l'acquirente dovrà attestare la data di acquisto e di consegna del prodotto.
- 2.4.8 L'estensione di garanzia non sarà valida nel caso in cui il prodotto fosse stato sottoposto a ispezione o fosse stato riparato da personale non autorizzato dal fabbricante.
- 2.4.9 L'estensione di garanzia a partire dal terzo anno non implica né presuppone alcuna garanzia supplementare da parte del fabbricante nei riguardi di quella concessa dal venditore durante i due primi anni.

3. LIMITAZIONI

- 3.1 La presente garanzia sarà valida unicamente per le vendite realizzate a consumatori, laddove per "consumatori" s'intende quella persona che acquista il Prodotto con scopi che non rientrano nell'ambito della sua attività professionale.
- 3.2 No viene concessa alcuna garanzia nei riguardi del normale consumo per uso del prodotto. In merito ai pezzi, ai componenti e/o ai materiali fusibili o consumabili come pile, lampadine, ecc., ove sussista si applicherà quanto disposto nella documentazione che è allegata al Prodotto.
- 3.3 La garanzia non copre i casi in cui il Prodotto: (I) sia stato oggetto di un uso non corretto; (II) sia stato riparato, manipolato o la manutenzione sia stata effettuata da una persona non autorizzata; (III) sia stato riparato o la manutenzione sia stata effettuata con pezzi non originali o (IV) sia stato installato o messo in marcia in maniera non corretta.
- 3.4 Qualora il difetto di conformità del Prodotto sia conseguenza di una installazione o messa in marcia non corretta, la presente garanzia risponderà solo nel caso in cui la suddetta installazione o messa in marcia sia compresa nel contratto di compravendita del Prodotto e sia stata realizzata dal venditore o sotto la sua responsabilità.
- 3.5 I danni o difetti del filtro causati dall'esposizione a temperature inferiori a 0° C (32° F) o superiori a 50° C (125° F).
- 3.6 Danni o difetti del filtro prodotti da colpi di ariete o a conseguenza di un sovradimensionamento delle pompe del sistema di filtraggio.

DEUTSCH

WICHTIG: Das Handbuch mit den Betriebsanleitungen, das Sie in Händen halten, enthält wichtige Information über die anzuwendenden Sicherheitsmaßnahmen für die Installation und Inbetriebnahme. Es ist daher unerlässlich, daß die Anweisungen vom Installateur und vom Benutzer vor der Montage und Inbetriebnahme aufmerksam durchgelesen werden.

Bewahren Sie dieses Handbuch auf, falls Sie zu einem späteren Zeitpunkt Informationen über die Funktion dieses Apparates nachschlagen möchten.

Um die beste Leistung des Filter, zu erzielen, empfiehlt es sich, die nachfolgenden Anweisungen zu befolgen:

WAS GESCHIEHT MIT DEM WASSER IN IHREM SCHWIMMBAD?

Logischerweise ist dies die erste Frage, die wir uns stellen müssen. Früher waren die meisten Schwimmbäder nicht mit Reinigungsanlagen ausgestattet und wurden betrieben, indem einfach sauberes Wasser eingefüllt wurde und nach einigen Tagen, wenn das Wasser ein unangenehmes Aussehen bekam, wurden sie entleert, gereinigt und wieder gefüllt. Dieses Vorgehen hatte zweifellos einige Nachteile: Wasserkosten, ungesunde Bedingungen des Schwimmbades und wenig angenehmes Baden auf Grund der ungenügenden Transparenz des Wassers. Unsere heutige Gesellschaft fordert: Wirtschaftlichkeit, Hygiene und Bequemlichkeit. Aus diesen Gründen müssen wir die Schwimmbäder mit den nötigen Einrichtungen versehen und ihnen die notwendigen Behandlungen zukommen lassen.

Wenn im Sommer das Schwimmbad mit Wasser aus dem öffentlichen Versorgungsnetz oder Brunnen gefüllt wird, kann man im allgemeinen beobachten, dass das Wasser sauber ist; bald jedoch werden, wegen der Sonneneinstrahlung und Einwirkungen der Umweltluft folgende grundlegende Erscheinungen auftreten:

1.-Das Wasser wird durch Mikroorganismen aus der Umweltluft verunreinigt, sowie durch solche, die durch die Badegäste eingebracht werden. Da es sich um ein stehendes Gewässer handelt, wird kein Sauerstoff eingebracht, was dazu führt, dass sich die Parasiten im Schwimmbad vermehren und Algen produzieren. Diese Bildung von Leben wird noch durch hohe Temperaturen gefördert, (Sommer in Freibädern, Heizung in Hallen-Bädern), was dazu führt, dass das Wasser eine grünliche Farbe bekommt.

2.-Luft und Regen bringen in das Wasser Mengen von Staub, Erde und Blättern ein, welche zur Trübung beitragen.

Diese beide Faktoren, welche auf das Schwimmbad einwirken, bewirken in wenigen Stunden oder Tagen folgendes Ergebnis: ein absolut unhygienisches Schwimmbad, welches nicht zum Baden einlädt.

Diese beiden Probleme werden auf folgende Weise bekämpft:

1.-"CHEMISCHE" BEHANDLUNG (WASSERPFLEGE)

Dem Wasser wird eine ausreichende Menge von Entkeimungsmittel (Chlor, Brom, Sauerstoff...) zudosiert, das die Bakterien und Mikroorganismen, sofort zerstören kann.

Als Referenzprodukt wird Chlor genommen, da dieses das am häufigsten eingesetzte Desinfektionsmittel ist.

2.-"PHYSISCHE" BEHANDLUNG

Das Schwimmbad wird mit einem Filter ausgerüstet, welcher mit Hilfe einer Pumpe in seinem Inneren alles im Wasser schwebende Partikel zurückhält.

pH-WERT

Die pH-Wert-Skala liegt zwischen 0 und 14, wobei Wert 7 "Neutral" bedeutet, Werte zwischen 0 und 7 bedeuten "sauer" und zwischen 7 und 14 "basisch". Die Werte in einem Schwimmbad schwanken normalerweise zwischen 6,8 und 8,4.

Warum ist der pH-Wert wichtig?

"Der ideale pH-WERT in einem Schwimmbad liegt zwischen 7,2 und 7,6".

Wir wissen bereits, dass wir zur Zerstörung von Bakterien einen ausreichenden Restchlorgehalt im Wasser beibehalten müssen; aber dieses Chlor wirkt nur dann wirkungsvoll als Bakterizid, wenn das Wasser, in dem es gelöst wird, einen pH-Wert zwischen 7,2 und 7,6 aufweist. Aus diesem Grund ist es unabdingbar, dass zur Zerstörung der Bakterien der pH-Wert zwischen den genannten Werten gehalten wird.

Ausserdem gibt es noch andere Faktoren, die einen richtigen pH-Wert zwingend machen. Bei Werten über 7,6 schlägt sich die gelöste Härte (Kalk) sichtbar nieder und trübt das Wasser mit einem milchigen Aussehen, verschmutzt schnell den Filter und schlägt sich an den Wänden und Zubehör im Schwimmbad nieder. Wenn der pH-Wert unter 7,2 liegt, wird das Wasser ätzend, und verursacht Reizungen in Augen und Nase und kann sogar Metallteile des Schwimmbads in Mitleidenschaft ziehen.

Aus den genannten Gründen hängt die Qualität des Schwimmbadwassers zu einem Grossteil von einem korrekten pH-Wert ab.

DAS CHLOR

Gesetzliche Vorschriften

Die Vorschriften zum Chlorgehalt im Schwimmbad-Wasser sind von Land zu Land verschieden.

Die gültigen spanischen Gesundheitsvorschriften bestimmen, dass der FREIE CHLORGEHALT im Schwimmbadwasser zwischen 0,20 und 0,60 mg pro Liter betragen muss, (oder, was das gleiche ist, das der FREIE CHLORGEHALT 0,2 bis 0,6 ppm – Teile pro Million- betragen muss).

Was bedeutet freies oder Restchlor

Im Wasser befinden sich, auch nach dem Filtern, eine Reihe von unsichtbaren "Feinden", die zerstört werden müssen.

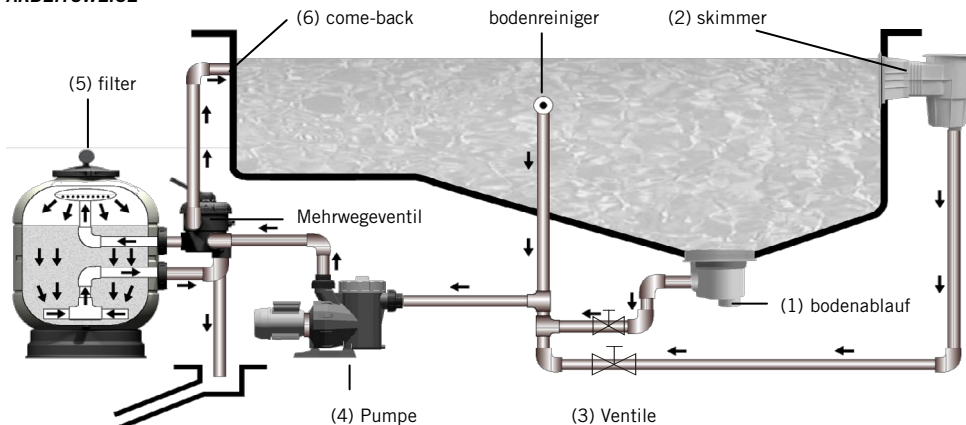
Zu diesem Zweck braucht man eine gewisse Menge von Chlor. Die überschüssige Menge, d. h. die Menge, die nach der Zerstörung der Bakterien und der organischen Substanzen, noch vorhanden ist, bleibt frei im Wasser in der Form von unterchloriger Säure.

Dieses Chlor, das im Wasser auf seinen "Einsatz" wartet, wird FREIES ODER RESTCHLOR genannt.

DAS FILTERN

Filtern ist nur ein Teil der Arbeit, welche zur Reinhaltung des Schwimmbades nötig ist und ausserdem untrennbar von der chemischen Behandlung, da eines ohne das andere nicht das gewünschte Ergebnis bringt. Damit wollen wir darauf hinweisen, dass nur mit einem Filter nichts erreicht wird, wenn nicht zusätzlich eine gute chemische Wasserpflege durchgeführt wird. Die Idee ist weitverbreitet, dass, mit der Anschaffung einer Filteranlage, diese alles macht. Dies geht soweit, dass wir sie als „Reinigungsanlage“ bezeichnen, obwohl es sich in Wirklichkeit nur um einen Filter handelt und die Reinigung in einer perfekten Kombination beider Behandlungen besteht, der chemischen und der physischen.

ARBEITSWEISE



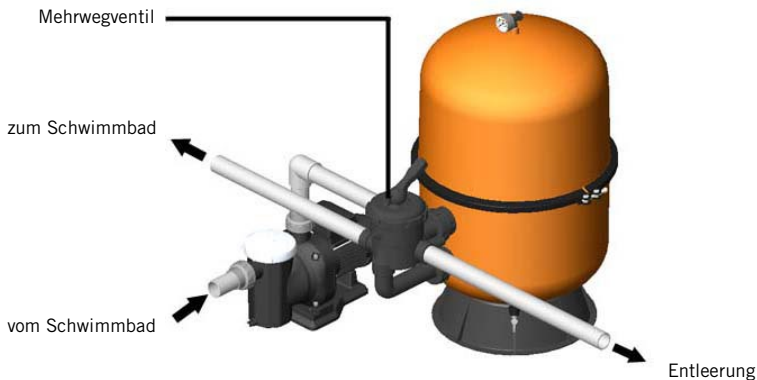
Das Wasser wird vom Boden des Schwimmbades durch den Bodenablauf (1), und an der Oberfläche durch die über die Pumpe (4) Skimmer (2), angesaugt und kommt durch getrennte Leitungen mit ihren entsprechenden Ventilen (3) über die Pumpe (4) zum Filter (5). Anschliessend wird das Wasser über Verteiler (6, Einlaufdüsen) wieder ins Schwimmbad gebracht. Die Einlaufdüsen sind an der dem Bodenablauf und den Skimmern gegenüberliegenden Seite angebracht, wodurch eine völlige Erneuerung des Schwimmbadwassers erreicht wird.

Der eigentliche Filter ist der Silex-Sand, durch welchen das Wasser von oben nach unten läuft, wobei im Sand die im Wasser schwebenden Teilchen zurückgehalten werden.

Erreicht der Wasserdruck im Filter mehr als Höher als 0,5 Kg./cm² oder mehr im Verhältnis zum Anfangsdruck, muss dieser rückgespült werden.

Nachdem der Filtriervorgang begonnen worden ist, muss nach einer gewissen Zeit der Filter "gewaschen" werden, da der Sand mit Schmutz gefüllt wird und damit den Wasserdurchfluss verhindert. Beim Rückspülen wird die Wasserströmungsrichtung im Filter umgekehrt und damit die gefilterten Teilchen über den Ablauf ausgestossen.

Wenn diese wichtigen Hinweise berücksichtigt werden, dürften die nachfolgenden Bedienungsanleitungen keine Schwierigkeiten für ihre Anwendung darstellen.



EINBAU

Der Filter sollte so nah wie möglich am Schwimmbad eingebaut werden und vorzugsweise ca. 0,50 m. unter dem Wasserspiegel des Schwimmbades. Einen Wasserablauf im Filterraum vorsehen.

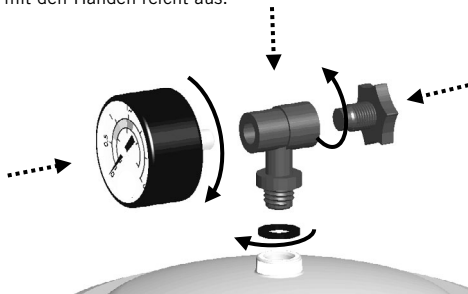
WICHTIG: Für den Anschluss des Mehrweg-Ventils keine Eisenrohre und Hanf verwenden, sondern unbedingt Plastikzubehör und TEFLON-Band verwenden. Wir verfügen für diese Anschlüsse über Gewindeteile in 1 ½" und 2", sowie Gummidichtungen. Verlangen Sie diese von Ihrem Lieferanten.

Lassen Sie genug Platz um den Filter herum, damit die nötigen Überprüfungen und die Wartung des Filters durchgeführt werden können.

MONTAGE

Um eine richtige Montage des Filters zu erzielen, folgen Sie die folgenden Anweisungen:

- 1.-Stellen Sie den Filter auf eine horizontale und saubere Oberfläche.
- 2.-Installieren Sie den Filter an seinen endgültigen Platz.
- 3.-Wenn der Filter mit Seitenventil ist, installieren Sie es. Achten Sie darauf, dass die Dichtungen zwischen Ventil und Filter richtig gestellt sind.
- 4.-Verbinden Sie die drei Anschlüsse des Mehrwegventils wie folgt: Verrohrung von Pumpe zum Ventil, vom Ventil zum Wasserablauf und vom Ventil zu den Einlaufdüsen des Schwimmbeckens. Auf dem Ventil sind diese drei Ausgänge entsprechend markiert.
- 5.-Montieren Sie das Manometer, T-Stück, die Dichtung, das Manometer und den Entlüftungsknopf (siehe Zeichnung). **Es ist nicht nötig, Teflonband zu verwenden, da die Dichtigkeit hier durch die Dichtung garantiert wird.** Das T-Stück nicht mit einem Werkzeug anziehen, nur mit den Händen reicht aus.



MONTAGE DES MANOMETERS (BEI SEITEN-VENTIL)

SAND EINFÜLLEN

Für beste Filterleistung, muss dieser mit Silex-Sand von einer Körnung von 0,5-0,7 mm gefüllt werden. Die Menge ist auf dem Etikett angegeben. Dabei wie folgt vorgehen:

Den Sand einfüllen, wenn der Filter aufgestellt und die Verbindungsrohre angebracht sind.

- 1.-Die Schrauben am Verschluss lösen und die Schelle entfernen.

- 2.-Dazu Deckel und Dichtung abnehmen, Vorsicht, dass der Schutzring am Verschluss nicht herunterfällt.
- 3.-Den Filter zur Hälfte mit Wasser füllen.
- 4.-Die nötige Sandmenge in den Filter füllen.
- 5.-Den Dichtungssitz des Deckels reinigen.
- 6.-Deckel aufsetzen und festziehen.
- 7.-Die Schelle wieder anbringen und die Schrauben andrehen.

Achtung: Überprüfen, dass während des Betriebs das Filter kein Wasser durch die Schelle verliert.

Anmerkung: Der Hersteller haftet nicht für Schäden, die entstehen, während das Filter mit Sand gefüllt wird.

BETRIEB

Das Mehrwegventil hat einen Handhebel mit 6 Stellungen. Mit Hilfe dieses Handhebels können Sie die benötigten Operationen wählen.

WICHTIG: Mehrwegventil nur bei ausgeschalteter Pumpe betätigen

FILTERN

Bei ausgeschalteter Pumpe, Mehrweg-Ventil auf Position "FILTERN" stellen.

Pumpe einschalten.

Bei der ersten Inbetriebnahme muss der Druck über die Anzeige auf dem Druckmesser beobachtet werden. Wir empfehlen, den Druck zu notieren. So wissen Sie später, ob der Filter verschmutzt ist und ein "REINIGUNG" (LAVADO) durchgeführt werden muss. Eine „REINIGUNG“ muss durchgeführt werden, wenn der Druckmesser eine Erhöhung von 0,5 kg/cm² im Verhältnis zum Anfangsdruck des Filters anzeigt.

Bitte beachten Sie, dass die Ventile am Schwimmbeckenboden und die Skimmer sich nach der Menge an treibendem Material regulieren, die sich auf der Wasseroberfläche befindet. Dabei ist zu berücksichtigen, dass, bei völlig offenen Ventil des Bodenablaufs, die Ansaugung über die Skimmer schwach ist. Wenn man eine stärkere Oberflächenabsaugung wünscht, genügt es, die Bodenabsaugung zu mindern.



Beispiel:



0,8 kg/cm² - 11,4 PSI: Anfangsdruck eines Filters zu Beginn eines Filterzyklus



1,3 kg/cm² - 18,5 PSI: Der Druck beträgt 0,5 kgs/cm² mehr als der Anfangsdruck. Das bedeutet, dass eine REINIGUNG notwendig ist.

SPÜLEN

Jede Sandladung formt tausende von Kanälen, welche alle Schwebeteilchen aufnehmen und im Filtersand zurückhalten, was bewirkt, dass sich die Zahl der für das Wasser freien Kanäle laufend vermindert. Aus diesem Grund erhöht sich der Druck im Filtersand wenn er 0,5 kg/cm² erreicht und nicht mehr Schmutz aufnehmen kann, ist seine Reinigung notwendig, die wie folgt durchgeführt wird:

Mehrweg-Ventil auf Position "SPÜLEN" stellen und, bei offenen Ventilen des Bodenablaufs und Rücklaufs, die Pumpe in Betrieb setzen. Pumpe 2 Minuten laufen lassen. Mit diesem Vorgang wird aller Schmutz aus dem Filter in den Wasserablauf abgeführt.



ZIRKULIEREN

In dieser Position des Mehrweg-Ventils wird das Wasser von der Pumpe direkt ins Schwimmbad geleitet, ohne durch das Innere des Filters zu gehen.



ENTLEEREN

Im Falle, dass das Schwimmbad nicht direkt in die Kanalisation entleert werden kann, weil kein Wasserablauf im Schwimmbeckenboden vorhanden ist, kann die Entleerung mit Hilfe der Filterpumpe erfolgen. Um diesen Vorgang durchzuführen, wird das Mehrweg-Ventil auf Position „ENTLEEREN“ gestellt. Bei offenem Ventil des Bodenablaufs wird der Motor eingeschaltet. Damit die Pumpe ansaugt, muss darauf geachtet werden, dass das Haarsieb und die ganze Verrohrung des Bodenablaufs ständig mit Wasser gefüllt bleiben.

Bevor die Entleerung durchgeführt wird, sicherstellen, dass die Ventile der Skimmer und Bodenabsauger geschlossen sind.



NACHSPÜLEN

Nach einer „SPÜLUNG“ des Filters und nachdem die Anlage auf Position „FILTERN“ gestellt wurde, läuft das Wasser einige Sekunden lang trüb zum Schwimmbad. Um zu vermeiden, dass dieses trübe Wasser in das Schwimmbad gelangt, gibt es diese Position „NACHSPÜLEN“ am Mehrwegventil. Wie folgt vorgehen: Sofort nach dem „SPÜLEN“ das Mehrwegventil auf Position „NACHSPÜLEN“ stellen und die Pumpe 1 Minute lang einschalten. Diese Position schickt das gefilterte Wasser direkt zum Ablauf.



GESCHLOSSEN

Wie der Name sagt, wird dabei der Wasserdurchlauf vom Filter zur Pumpe geschlossen, was dazu dient, das Haarsieb (Vorfilter) der Pumpe öffnen zu können.



INBETRIEBNAHME

Nachdem der Filter mit Sand gefüllt ist, muss der Sand gewaschen werden, was wie folgt geschieht:

- 1.- Den Belüftungsdeckel öffnen, damit die Luft entweichen kann.
 - 2.-Mehweg-Ventil auf Position "SPÜLEN" stellen.
 - 3.-Ventile, welche die Ansaugrohre vom Schwimmbecken kontrollieren, öffnen und die Pumpe 4 Minuten einschalten.
 - 4.-Pumpe ausschalten und Mehrweg-Ventil 1 min lang auf Position "NACHSPÜLEN" stellen. Danach Pumpe ausschalten und Mehrweg-Ventil auf Position "FILTERN" stellen.
 - 5.- Den Belüftungsdeckel schließen, sobald Wasser auszulaufen beginnt.
- Nun ist der Filter für das Filtern des Schwimmbadwassers vorbereitet.

WICHTIG: Mehrweg-Ventil nur bei ausgeschalteter Pumpe betätigen.

WARTUNG

Zur Filterreinigung kein Lösungsmittel verwenden. Der Filter könnte beschädigt werden und seinen Glanz verlieren.

Wenn nötig, ersetzen Sie immer die beschädigten Teile oder Dichtungen.

Spülen und Nachspülen gemäss den Anleitungen vornehmen.

Für eine bessere Leistung des Filters, Filtersand jährlich mit ASTRAL Filnet reinigen. Es ist empfehlenswert, den Filtersand circa alle 3 Jahre zu erneuern.

Überwinterung, Während der Überwinterung, ist es empfehlenswert, die folgenden Hinweise zu befolgen:

Spülen und Nachspülen gemäss den vorherigen Anweisungen.

Das Wasser aus dem Filter auslassen.

Entfernen Sie den Filterdeckel, damit der Filter während der Überwinterung belüftet bleibt.

Wenn Sie den Filter wieder in Betrieb nehmen, folgen Sie den Anweisungen unter "INBETRIEBNAHME".

TROUBLE-SHOOTING

PROBLEM	MÖGLICHE URSACHE	BEHEBUNG
Der Filter gibt wenig Filterwasser. Bodensauger saugen lassen.	Haarfilter verstopft.	Haarfilter reinigen.
	Motor läuft in verkehrter Richtung.	Motorlaufrichtung mit Hilfe des Pfeiles auf dem Haarfilter kontrollieren. Falls verkehrt, Motoranschluss umpolen.
	Ansaug- oder Einlaufrohre verstopft.	Reinigen.
Druckmanometer schwankt sehr stark.	Pumpe saugt Luft an.	Wasserlecks im Haarfilter und Ansaugleitungen suchen.
	Ansaugung halb geschlossen.	Kontrollieren, ob die Ansaugventile völlig offen sind.

SICHERHEITSHINWEISE

Nie die Filteranlage ohne Wasser einschalten.

Immer Stromverbindung unterbrechen, wenn Sie am Filter oder am Ventil arbeiten müssen.

Erlauben Sie nie, dass Kinder oder Erwachsene sich an die Anlage anlehnen oder sich auf sie darauf setzen.

Filterbehälter darf nicht direkt an die Trinkwasserleitung angeschlossen werden, da der Trinkwasserleitungsdruck höher als der im Filter erlaubte Druck sein könnte.

Benutzen Sie den Filterzyklus nicht, um das Schwimmbecken zu füllen oder den Wasserstand zu regulieren. Bei fehlerhafter Bedienung kann es zu einem Überdruck am Filter kommen.

Filterdeckel nie mit Lösungsmittel reinigen, da dieser seine Eigenschaften verlieren kann (Glanz, Durchsichtigkeit, usw.).

Da alle Verbindungen mittels Dichtungen gemacht werden, braucht man die Muttern nicht allzu fest anzuziehen. So vermeidet man, Kunststoffteile zu brechen.

Benutzen Sie kein Teflonband am T-Teil des Druckmessers, Code 00545RR0300, um das Teil abzudichten.

Garantiezertifikat

1. ALLGEMEINE GESICHTSPUNKTE

- 1.1 In Übereinstimmung mit diesen Verfügungen garantiert der Verkäufer, dass das Produkt, auf das sich diese Garantie bezieht, im Moment der Übergabe einwandfrei ist.
- 1.2 Der Garantiezeitraum für das Produkt beträgt zwei (2) Jahre und wird ab dem Augenblick der Lieferung an den Käufer gerechnet.
- 1.3 Falls ein Mangel am Produkt auftritt und der Käufer den Verkäufer innerhalb des Garantiezeitraums darüber unterrichtet, muss der Verkäufer das Produkt auf eigene Kosten dort reparieren oder ersetzen, wo es für ihn am günstigsten ist, es sei denn, dies ist unmöglich oder unverhältnismäßig.
- 1.4 Wenn das Produkt weder repariert noch ersetzt werden kann, kann der Käufer einen angemessenen Preisnachlass beantragen, oder, falls es sich um einen größeren Mangel handelt, die Auflösung des Kaufvertrages.
- 1.5 Die Teile, die aufgrund dieser Garantie ersetzt oder repariert werden, verlängern den Garantiezeitraum für das Originalprodukt nicht. Jedoch existiert für diese Teile eine eigene Garantie.
- 1.6 Um die vorliegende Garantie wirksam werden zu lassen, muss der Käufer das Kaufdatum und das Lieferdatum des Produktes belegen.
- 1.7 Nach Ablauf von sechs Monaten ab Lieferung des Produktes an den Käufer muss der Käufer, falls er einen Mangel am Produkt anführt, den Ursprung und das Vorhandensein des angegebenen Mangels belegen.
- 1.8 Das vorliegende Garantiezertifikat schränkt die Rechte, die der Verbraucher aufgrund der gültigen, nationalen Gesetzgebung hat, nicht ein.

2. SONDERBEDINGUNGEN

- 2.1 Die vorliegende Garantie gilt für die folgenden Produkte und Produktfamilien: Die Filtermodelle CANTABRIC, BILBAO, CEL und TERRA
- 2.2 Diese Garantie gilt nur, falls der Käufer alle Anweisungen des Herstellers, die in der produktbegleitenden Dokumentation enthalten und auf die jeweilige Produktlinie und Modell anwendbar sind, streng einhält.
- 2.3 Wenn ein Zeitplan für den Austausch von Teilen, die Instandhaltung und Reinigung bestimmter Teile oder Produktkomponenten aufgestellt wurde, gilt die Garantie nur dann, wenn dieser Zeitplan korrekt eingehalten wurde.
- 2.4 Der Hersteller des Produktes bietet die Möglichkeit einer Garantieverlängerung für die Filter Cantabric, Bilbao, Cel und Terra ab dem dritten bis zum fünften Jahr an, die jeweils vom Modell abhängig ist, wie es im Weiteren erläutert wird. Diese Garantieverlängerung richtet sich nach den folgenden Bedingungen:
 - 2.4.1 Deckung der Garantieverlängerung durch den Hersteller: Bei einem Schaden oder Mangel am Filterbehälter repariert der Hersteller diesen oder tauscht ihn aus, die Entscheidung darüber bleibt dem Hersteller überlassen.
 - 2.4.2 Dieser Austausch bedeutet für den Käufer die Zustimmung zu einer Zahlung eines variablen Betrags, der sich nach dem Alter des Produktes richtet und auf der folgenden Tabelle basiert:

Vergangene Zeit seit dem Kauf der Filtermodelle BILBAO, CEL und TERRA	Zu zahlender Prozentsatz der im Augenblick der Reklamation gültigen Preise
Ab 2 bis zu 4 Jahre	60%
Ab 4 bis zu 5 Jahre	80%

- 2.4.3 Der Hersteller des Filters bietet auch die Möglichkeit an, eine zusätzliche Garantie während des dritten Jahres für die internen und externen Filterkomponenten zu erwerben.
- 2.4.4 Das Filtermittel ist ausdrücklich aus der Garantieverlängerung ausgeschlossen.
- 2.4.5 Andere Bedingungen während der Garantieverlängerung im dritten Jahr:
 - Falls ein Ersatz geliefert wird, laufen alle Kosten und Ausgaben für den Transport zur Fabrik oder ab Fabrik, zum Bewegen oder der erneuten Montage des Produktes oder des Einbaus des Ersatzteils, zu Lasten des Käufers.
 - Im Falle einer Reparatur laufen die Kosten für die Arbeitskräfte und Anreise zu Lasten des Käufers.
 - Der Hersteller übernimmt keine Verantwortung für Schäden und Kosten, die durch das Einstellen der Aktivität entstehen, und auch nicht für Zeiten und Materialien, die sich aus dem Austausch oder Ersatz des Produktes ableiten.

- Der Hersteller berechtigt keine anderen Personen dazu, eine Garantie für die von ihm hergestellten Produkte zu erteilen, und er unterliegt auch keiner anderen, nicht genehmigten Garantie in Verbindung mit dem Verkäufer seiner Produkte.
- 2.4.6 Die Serviceleistungen, die für den Hersteller während der Garantieverlängerung anfallen, müssen über den Verkäufer oder Monteur beantragt werden, der dem Käufer das Produkt geliefert hat.
 - 2.4.7 Um die vorliegende Garantieverlängerung wirksam werden zu lassen, muss der Käufer das Kaufdatum und das Lieferdatum des Produktes belegen.
 - 2.4.8 Die Garantieverlängerung wird ungültig, falls das Produkt von nicht vom Hersteller autorisierten Personen geprüft oder repariert wird.
 - 2.4.9 Die Garantieverlängerung ab dem dritten Jahr beinhaltet keine Erweiterung der Garantie, die vom Verkäufer für die ersten zwei Jahre gewährt wird, und setzt diese auch nicht voraus.

3. EINSCHRÄNKUNGEN

- 3.1 Die vorliegende Garantie ist nur auf Verkäufe an Verbraucher anwendbar. "Verbraucher" sind alle Personen, die dieses Produkt zu privaten Zwecken erwerben.
- 3.2 Es wird keine Garantie für die normale Abnutzung durch den Gebrauch des Produktes gewährt. Informationen über Teile, Komponenten und/oder verschleißbare Materialien oder Verbrauchsgüter wie Sand, Ringe, usw. finden Sie in der Dokumentation, die das jeweilige Produkt begleitet.
- 3.3 In folgenden Fällen gilt die Garantie nicht: (I) Das Produkt wurde nicht korrekt benutzt; (II) das Produkt wurde von nicht autorisierten Personen repariert, instandgehalten oder bedient; (III) das Produkt wurde nicht mit Originalersatzteilen repariert oder instandgehalten oder (IV) es wurde falsch installiert oder in Betrieb genommen.
- 3.4 Falls der Mangel auf eine falsche Installation oder Inbetriebnahme zurückzuführen ist, gilt die vorliegende Garantie nur, falls diese Installation oder Inbetriebnahme in den Kaufvertrag des Produktes eingeschlossen ist, und von dem Verkäufer oder auf dessen Verantwortung durchgeführt wurde.
- 3.5 Schäden und Störungen am Filter, die darauf zurückzuführen sind, dass es Temperaturen unter 0° C (32° F) oder über 50° C (125° F) ausgesetzt wurde.
- 3.6 Schäden oder Defekte des Filters, die durch Wasserschlag oder zu starke Pumpen im Filtersystem hervorgerufen wurden.

IMPORTANTE: O manual de instruções que você tem nas mãos contém informação fundamental sobre as medidas de segurança a tomar ao realizar a instalação e a colocação em funcionamento. Por isso, é imprescindível que tanto o instalador como o utilizador leiam as instruções antes de realizar a montagem e a colocação em funcionamento. Guarde este manual para futuras consultas sobre o funcionamento deste aparelho.

Para conseguir um ótimo rendimento do Filtro, é conveniente observar as instruções que se indicam abaixo:

QUE ACONTECE COM A ÁGUA DA SUA PISCINA?

Logicamente, esta é a primeira pergunta com que nos defrontamos. Antigamente a maioria das piscinas não dispunha de uma instalação de depuração e funcionavam soamente enchendo-as com água limpa, mas passados alguns dias a água apresentava um aspecto desagradável, eram despejadas, limpas e novamente cheias, isto sem dúvida alguma representava vários inconvenientes: consumo de água, insalubridade da piscina e um banho nada agradável devido à insuficiente transparência da água.

A sociedade atual exige: economia, higiene e comodidade. Por estas razões devemos dotar as piscinas de instalações e tratamentos necessários.

No Verão quando se enche uma piscina com água da rede pública ou de um furo, observa-se que está limpa, mas após a sua exposição ao sol e ao ar ocorrem dois fenômenos básicos:

1.- A água contamina-se com os microorganismos existentes na atmosfera, os introduzidos pelos banhistas e por falta de oxigenação pelo fato da mesma se encontrar estagnada, os parasitas reproduzem-se formando as chamadas algas. As algas reproduzem-se rapidamente em função da temperatura ambiente e da elevada temperatura da água, tomando esta uma cor verde.

2.- O ar e a chuva introduzem na água, pó, terra e folhas que a tornam turva.

Com estes dois fatores que incidem sobre a piscina, em poucas horas e em escassos dias, transmite-se o seguinte resultado:

Uma piscina totalmente anti-higiênica e nada agradável para o banho.

A forma de combater estes dois problemas é:

1.-TRATAMENTO “QUÍMICO”

Manter a água com uma quantidade suficiente de desinfetante (cloro, bromo, oxigênio) para que as bactérias e microorganismos que nela se introduzam possam ser destruídos de imediato.

Indicamos o cloro por ser o método mais usual para este fim.

2.-TRATAMENTO “FÍSICO”

Dotando a piscina dum filtro que através de uma electrobomba retenha no seu interior todas as matérias em suspensão na água.

O pH

O pH é o grau de acidez da água. Os valores do pH estão compreendidos entre 0 e 14, correspondendo o valor 7 ao grau neutro. Os valores entre 0 e 7 são os graus ácidos e entre 7 e 14 aos alcalinos, embora os valores mais usuais numa piscina são os compreendidos entre 6,8 e 8,4.

Porque é importante o pH?

“O valor ideal do pH numa piscina deve situar-se entre 7,2 e 7,6”.

Anteriormente indicamos, que para a destruição de bactérias, deveríamos manter a água com uma quantidade de cloro residual suficiente para o efeito, porém este cloro só atua eficazmente como bactericida, quando a água onde se dilui tenha um pH compreendido entre 7,2 e 7,6. Assim, verifica-se que para destruir as bactérias é fundamental manter o pH nos valores indicados.

Existem outros fatores que obrigam a manter o pH correto, sendo superior a 7,6 o ácido dissolvido na água precipitar-se-á de forma visível turvando a água, dando-lhe um aspecto leitoso, obstruindo rapidamente o filtro e precipitando-se nas paredes e acessórios da piscina. Sendo inferior a 7,2 a água será corrosiva, produzindo irritações nos olhos e nas mucosas nasais, podendo chegar a destruir partes metálicas da instalação de filtração.

Pelo exposto conclui-se que a grande qualidade da água da piscina, depende bastante do valor do pH.

Normas legais

As disposições sanitárias portuguesas vigentes determinam que a quantidade de cloro livre na água das piscinas deve estar compreendida entre 0,20 a 0,60 mg por litro (0,2 a 0,6 p.p.m.).

O que entendem por: cloro livre residual

Na água mesmo depois de infiltrada existem uma série de inimigos invisíveis que é preciso destruir.

Para os destruímos é necessária uma quantidade determinada de cloro que atue sob a forma de ácido hipoclorosos.

A quantidade de cloro adiciona-se acima da necessária para destruir bactérias e oxidar a matéria orgânica que fica livre na água sob a forma de ácido hipocloroso á espera de atuar contra qualquer inimigo: bactérias, matéria orgânica, etc. , que se introduzam novamente na água através dos banhistas, agentes atmosféricos (chuva, vento, etc.), ou por qualquer outro meio.

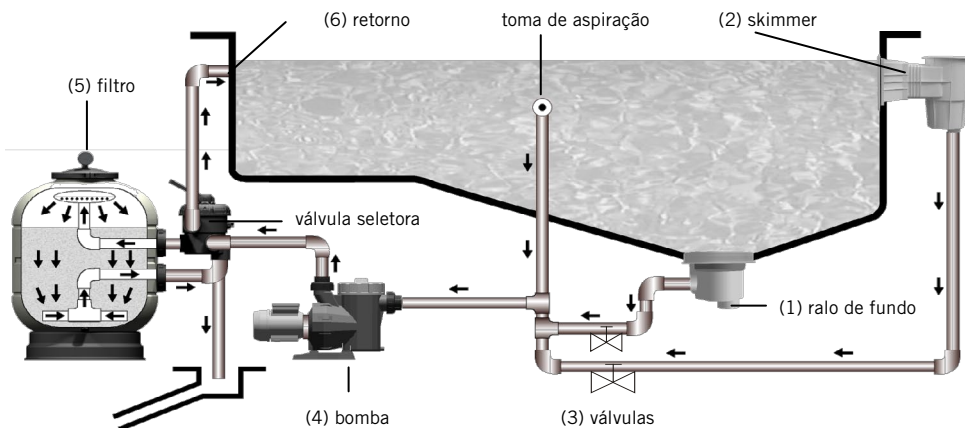
O cloro que fica sob a forma de ácido hipocloroso á espera de atuar e que sobrou da necessidade imediata denomina-se cloro livre ou residual.

A FILTRAÇÃO

A filtração, é somente uma parte do trabalho, a realizar para manter limpa uma piscina é inseparável do tratamento químico, já que um sem o outro não consegue os fins em vista. Queremos dizer que apenas com o filtro nada se conseguirá senão for acompanhado dum bom tratamento químico.

Está generalizada a idéia de que adquirir uma instalação filtrante resolverá todo o problema, a ponto de lhe chamarmos depurador, quando, na verdade, se trata apenas dum filtro. A depuração consiste na perfeita conjugação de dois tratamentos, o químico e o físico.

PRINCIPIOS DE FUNDAMENTO

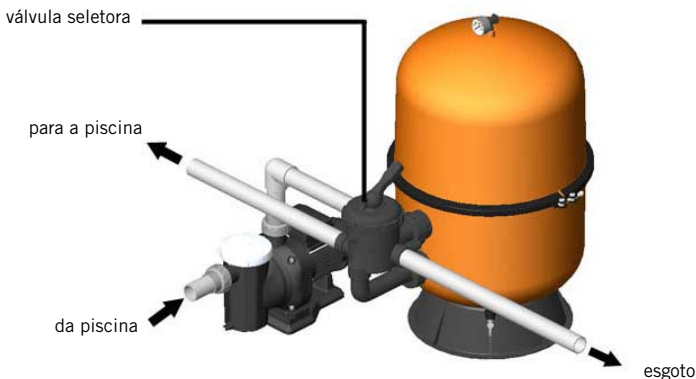


A água é aspirada pelo fundo através de um ralo de fundo (1) da superfície por meio de dos Skimmers (2), chegando ao filtro (3) por tubagens separadas providas das válvulas (4) correspondentes e retorna à piscina através dos distribuidores (5), (entradas de água). As entradas de água, normalmente designadas por "BICOS" devem ser instaladas no lado oposto ao Ralo de fundo e aos Skimmers para proporcionar desta maneira uma renovação total da água da piscina.

O filtro propriamente dito compõe de carga de areia sílica, através da qual se faz circular a água em sentido descendente, retendo nela as matérias em suspensão existentes na água a filtrar.

Uma vez iniciado o ciclo de filtração e ao fim de algum tempo será necessário lavar o filtro, uma vez que a areia ficará obstruída com impurezas, impedindo a passagem da água, com a lavagem de contra-corrente consegue-se inverter o sentido de circulação da água no filtro e enviar para o esgoto as matérias filtradas. Se a pressão da água no filtro atingir aumentando 0,5 kg/cm² ou mais em relação à pressão inicial, dever-se-á efetuar uma lavagem.

Tendo presente estes dados importantes, as instruções de manuseamento que a seguir descrevemos não oferecerão qualquer dificuldade para a sua aplicação.



INSTALAÇÃO

O filtro deverá ser instalado o mais próximo possível da piscina, de preferência a um nível de 0,50 m abaixo do nível da água da piscina. Deve estar previsto um esgoto no local da instalação do filtro.

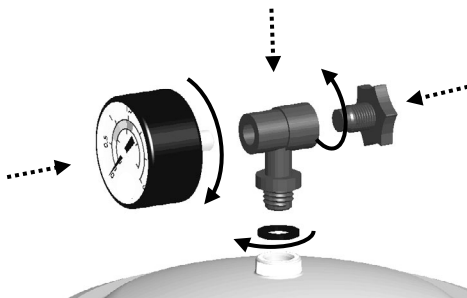
IMPORTANTE: Na ligação da tubagem da válvula seletora não utilizar acessórios galvanizados. É imprescindível a utilização de acessórios plásticos e cinta de Teflon. Dispomos para esta instalação de terminais de roscas a 1 ½" e 2" e juntas de borracha estanque. Solicite-os ao seu fornecedor.

Ao redor do filtro deve haver um espaço suficiente para poder realizar as inspeções e as operações de manutenção necessárias durante a vida útil do filtro.

MONTAGEM

Para a correta montagem do filtro, proceda da seguinte forma:

- 1.-Procure instalar o filtro numa superfície horizontal e completamente limpa.
- 2.-Instale o filtro no lugar definitivo.
- 3.-No caso de um filtro com válvula lateral, instale a válvula seletora no filtro, procurando que as juntas entre a válvula e o filtro fiquem corretamente posicionadas.
- 4.-Realize as três ligações pertinentes da válvula seletora: tubagem da bomba à válvula, da válvula ao tubo de escoamento e da válvula ao retorno da piscina. Poderá identificar as três saídas na válvula.
- 5.-Monte o T manômetro e o tampão purga ar (ver lista de peças). **Não é necessário utilizar fita de teflon, já que nesse ponto a estanqueidade é realizada com a junta.** Não aperte o T manômetro com nenhuma ferramenta, com as mãos já é suficiente.



MONTAGEM MANÓMETRO (VÁLVULA LATERAL)

CARGA DE AREIA

Para obter o máximo rendimento deste filtro deverá enchê-lo de areia sílica com uma granulometria de 0,5 a 0,7 mm e na quantidade indicada na placa de características. Proceder do seguinte modo:

Efetuar a montagem do filtro em local apropriado e proceder à ligação das tubagens de união.

- 1.-Desaperte os parafusos de fecho e retire o anel de reforço.
- 2.-Retirar a tampa e a junta, tenha o cuidado de não deixar cair o aro proteção fecho.

- 3.-Encha o filtro com água até à metade.
- 4.-Encher de água até os difusores ficarem cobertos encher o interior do filtro, **devagar e com muita atenção**, com a quantidade de areia necessária.
- 5.-Limpar a abertura onde assenta a junta da tampa.
- 6.-Colocar e apertar a tampa do filtro.
- 7.-Volte a colocar o anel de reforço e aperte os parafusos.

Atenção: durante o funcionamento, assegure-se de que o filtro não perde água através do anel de reforço.

Nota: o fabricante não se responsabiliza por quaisquer danos causados ao filtro durante o enchimento do filtro com areia.

FUNCIONAMENTO

A válvula seletora dispõe de uma alavanca com 6 posições que permite selecionar todas as operações necessárias para o correto funcionamento do filtro.

IMPORTANTE: Efetue sempre as mudanças de posição da válvula seletora com a bomba parada.

FILTRAÇÃO

Com a bomba parada, colocar o manípulo da válvula seletora na posição de “Filtração” (Filtração).

Ligar a bomba.

Na primeira colocação em funcionamento, deverá observar e anotar a pressão indicada no manómetro, já que essa indicação servirá mais tarde para saber se o filtro está sujo e se é necessário efetuar uma “LAVAGEM”. Dever-se-á efetuar uma “LAVAGEM” quando o manómetro indicar um aumento de 0,5 kg/cm² em relação à pressão inicial do filtro. É conveniente observar periodicamente o manómetro que nos indica o grau de saturação do filtro

Deve-se ter em conta que as válvulas do fundo da piscina e Skimmers devem regular-se em função da quantidade de matérias flutuantes na superfície da água da piscina. É necessário ter presente que quando a válvula do ralo de fundo está totalmente aberta reduz bastante a aspiração feita através dos Skimmers. Para uma mais eficaz limpeza da superfície deve fechar-se ligeiramente a válvula do ralo de fundo.



Exemplo:



0,8 kg/cm² - 11,4 PSI: Pressão inicial do filtro ao iniciar um ciclo de filtração



1,3 kg/cm² - 18,5 PSI: A pressão é 0,5 kg/cm² superior à inicial, isto indica que é necessário efetuar a LAVAGEM

“LAVADO” – LAVAGEM

Cada carga de areia forma milhares de canais de passagem que recolhem todas as matérias que ficam retidas na camada filtrante. Em consequência, o número de canais livres vai diminuindo e a passagem da água passa a fazer-se com mais dificuldade. Por esse motivo a pressão aumenta progressivamente até alcançar um aumento de 0,5 kg/cm². Isto indica que a areia filtrante não recebe mais sujidade e é necessário proceder à sua lavagem da seguinte forma:

Colocar a válvula seletora na posição “Lavado” (Lavagem).

Abrir as válvulas do ralo de fundo e do retorno

Por a bomba em funcionamento 2 minutos.

Com esta operação toda a sujidade que obstruía o filtro passou para o esgoto.



“RECIRCULACION” – RECIRCULAÇÃO

Nesta posição, a passagem de água faz-se diretamente da bomba para a piscina sem passar através do filtro.



“VACIADO” – ESVAZIAR

No caso de não haver um esgoto ao nível do fundo da piscina, pode esvaziar-se toda a água da piscina através da bomba do filtro, para efetuar esta operação proceder da seguinte forma:

Colocar a válvula seletora na posição “Vaciado”

Fechar as válvulas dos Skimmers e tomada de aspiração.

Abrir a válvula do Ralo de fundo.

Ligar a motor, depois de verificar que o pré-filtro está cheio de água e limpo.



“ENJUAGUE”- ENXAGUAMENTO

Para evitar que após a lavagem, a água retorne á piscina com um aspecto turvo deve proceder-se do seguinte modo:

Colocar a válvula seletora na posição “ENJUAGUE”

Ligar o motor durante 1 minuto

Parar a bomba e colocar a válvula na posição de “FILTRAÇÃO”.

Esta posição permite que a água filtrada siga diretamente para o esgoto. Procedese assim, ao enxaguamento de areia, após a sua lavagem.



“CERRADO” – FECHADO

Tal como o nome indica, utiliza-se para fechar a passagem da água da bomba ao filtro, para assim se poder abrir o pré-filtro da bomba e proceder á sua limpeza.



ARRANQUE

Uma vez carregado o filtro de areia é necessário efetuar uma lavagem da mesma, procedendo do seguinte modo:

- 1.- Abra a tampa purga ar para eliminar o ar.
- 2.- Colocar a válvula seletora na posição de "Lavado" (Lavagem).
- 3.- Abrir as válvulas que controlam as tubagens de aspiração da piscina e ligar a bomba durante 4 minutos.
- 4.- Parar a bomba e colocar o manipulador da válvula seletora na posição "Filtracion" (Filtração).
- 5.- Feche a tampa purga ar quando começar a sair água.

Uma vez realizada esta operação dispomos do filtro preparado para começar os ciclos normais de filtração da água da piscina.

IMPORTANTE: Todas as manobras a efetuar com a válvula seletora devem ser feitas sempre com a electrobomba desligada.

MANUTENÇÃO

Não limpe o filtro com dissolventes, já que poderá perder o brilho e resultar danificado.

Substitua as peças e as juntas deterioradas quando necessário.

Realize as lavagens e as enxaguaduras necessárias de acordo com as instruções de funcionamento.

Lave a areia anualmente para um melhor serviço com ASTRAL Filnet sólido ou Filnet líquido. Troque a areia como mínimo cada 3 anos.

Período de inatividade, para não danificar o filtro durante o período de inatividade, realize as seguintes operações:

Lave-o e enxágüe seguindo as instruções acima.

Esvazie a água do filtro.

Retire a tampa do filtro para mantê-lo ventilado durante o período de inatividade.

Quando for necessário colocar o filtro novamente em funcionamento, siga as instruções de COLOCAÇÃO EM FUNCIONAMENTO.

AVARIAS MAIS USUAIS

DEFEITO	CAUSA	SOLUÇÃO
O filtro dá pouco caudal de água filtrada. O aspirador aspira pouca água.	Pré-filtro entupido.	Limpar pré-filtro da bomba.
	Motor trabalha ao contrário.	Verificar o sentido do motor.
	Tubagem de aspiração ou impulsão entupidadas.	Proceder à sua limpeza.
Manômetro de pressão oscila violentamente.	A bomba tem entrada de ar.	Verificar fugas de água no pré-filtro e tubagens de aspiração.
	Aspiração semi-fechada.	Verificar se as válvulas de aspiração estão totalmente abertas.

ADVERTÊNCIAS DE SEGURANÇA

Não faça o equipamento funcionar sem água

Antes de manipular o filtro ou a válvula, desligue-o sempre da tomada.

Não permita que crianças ou adultos se sentem sobre o equipamento.

Nunca ligue o filtro diretamente à rede de água, já que a pressão pode ser muito elevada e ultrapassar a pressão de trabalho máxima do filtro.

Não utilize o circuito de filtração para o enchimento e a regulação do nível de água da piscina. Qualquer erro de manipulação pode produzir uma sobrepressão no filtro.

Não limpe o conjunto da tampa com dissolventes, já que poderia perder as suas propriedades (brilho, transparência,...)

Em virtude de que as uniões são feitas com juntas, não é necessário apertar as porcas excessivamente. Um aperto excessivo poderia danificar as peças de plástico.

NÃO passe fita teflon na peça T do kit manômetro, código 00545R0300, para assegurar a estanqueidade.

Certificado de Garantia

1. CONDIÇÕES GERAIS

- 1.1 De acordo com estas disposições, o vendedor garante que, no momento da entrega, o produto correspondente a esta garantia não apresenta nenhum tipo de falta de conformidade.
- 1.2 O Período de Garantia para o Produto é de dois (2) anos, contados a partir da data de entrega ao comprador.
- 1.3 Se, durante o Período de Garantia, o comprador notificar ao vendedor alguma falta de conformidade do Produto, o vendedor deverá reparar ou substituir o Produto por sua conta no lugar onde considerar conveniente, salvo se isso for impossível ou desmesurado.
- 1.4 Quando não for possível reparar ou substituir o Produto, o comprador poderá solicitar uma redução proporcional do preço ou, se a falta de conformidade for o suficientemente grave, a rescisão do contrato de venda.
- 1.5 As partes substituídas ou reparadas em virtude desta garantia não ampliarão o período de garantia do Produto original, porém disporão de uma garantia própria.
- 1.6 Para que a presente garantia tenha efeito, o comprador deverá apresentar o comprovante da data de compra e de entrega do Produto.
- 1.7 Se o comprador alegar uma falta de conformidade do Produto, passados mais de seis meses da data de entrega do mesmo, deverá demonstrar a origem e a existência do defeito alegado.
- 1.8 O presente Certificado de Garantia não limita nem afeta os direitos dos consumidores derivados das normas nacionais de caráter imperativo.

2. CONDIÇÕES PARTICULARES

- 2.1 A presente garantia cobre os seguintes produtos e famílias de produtos: Filtros modelo CANTABRIC, BILBAO, CEL e TERRA
- 2.2 Para a eficácia desta garantia, o comprador deverá seguir rigorosamente as indicações do Fabricante contidas na documentação fornecida com o Produto, quando a mesma for aplicável em função da gama e do modelo do Produto.
- 2.3 No caso de se estabelecer um calendário para a substituição, manutenção ou limpeza de determinadas peças ou componentes do Produto, a garantia só será válida se o citado calendário tiver sido cumprido rigorosamente.
- 2.4 O fabricante do produto oferece a possibilidade de estender a garantia dos filtros Cantabric, Bilbao, Cel e Terra a partir do terceiro ano até ao quinto ou ao décimo em função do modelo, de acordo com as indicações abaixo. Esta Extensão de Garantia é regida pelas seguintes condições:

- 2.4.1 Cobertura da Extensão de Garantia pelo Fabricante: Em caso de defeito ou falta de conformidade na cuba ou recipiente do filtro, o fabricante reparará ou substituirá, ao seu critério, o filtro.
- 2.4.2 A substituição deverá significar, por parte do comprador, a aceitação do pagamento de um encargo variável em função da antiguidade do produto, com base nas tabelas abaixo:

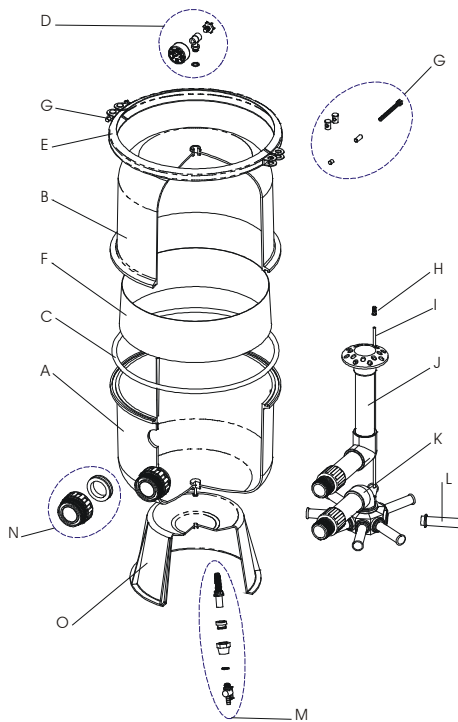
Período de tempo a partir da data de compra para os filtros modelo BILBAO, CEL e TERRA	Porcentagem a pagar da tarifa de preços vigente, no momento da reclamação
A partir de 2 até 4 anos	60%
A partir de 4 até 5 anos	80%

- 2.4.3 O fabricante do filtro também oferece a possibilidade de estender uma garantia adicional durante o terceiro ano para os componentes internos e externos do filtro.
- 2.4.4 O meio filtrante fica expressamente excluído de qualquer extensão de garantia.
- 2.4.5 Outras condições durante a extensão de garantia, a partir do terceiro ano:
 - Em caso de substituição, todos os encargos ou despesas de frete para ou desde a fábrica, mover ou reinstalar o produto, ou instalação de peças sobresselentes, serão assumidos pelo comprador.
 - Em caso de reparação, as despesas derivadas da mão de obra e deslocação serão assumidas pelo comprador.
 - O fabricante não se responsabiliza pelas perdas e/ou despesas derivadas da paralisação da atividade, bem como dos tempos e/ou materiais derivados da substituição ou reposição dos produtos.
 - O fabricante não autoriza terceiros a estender nenhum tipo de garantia relativamente aos seus produtos nem se responsabiliza por nenhuma garantia não autorizada concedida pelo vendedor dos seus produtos.
- 2.4.6 Os requisitos de serviço do fabricante durante o período de extensão de garantia deverão ser efetuados através do vendedor ou instalador que tenha fornecido o produto ao comprador.

- 2.4.7 Para que o período de extensão de garantia tenha efeito, o comprador deverá apresentar o comprovante da data de compra e de entrega do produto.
- 2.4.8 A extensão de garantia não será válida se o produto tiver sido inspecionado ou reparado por pessoal não autorizado pelo fabricante.
- 2.4.9 A extensão de garantia a partir do terceiro ano não implica nem pressupõe à garantia adicional por parte del fabricante garantia adicional por parte do fabricante à garantia concedida pelo vendedor durante os dois primeiros anos.

3. LIMITAÇÕES

- 3.1 A presente garantia só será válida para as vendas realizadas a consumidores, entendendo-se por "consumidor" a pessoa que comprar o Produto com fins não abrangidos no âmbito da sua atividade profissional.
- 3.2 A garantia não cobre o desgaste normal derivado do uso do produto. Em relação às peças, componentes e/ou materiais fungíveis ou consumíveis como areia, anilhas, etc. terá efeito o disposto na documentação fornecida com o Produto, em cada caso.
- 3.3 A garantia não cobre as seguintes situações: (I) se o Produto tiver sido objeto de um uso incorreto; (II) tiver sido inspecionado, reparado, sofrido manutenção ou manipulado por pessoas não autorizadas; (III) tiver sido reparado ou as suas peças substituídas por peças não originais ou (IV) tiver sido instalado ou colocado em funcionamento de forma incorreta.
- 3.4 Quando a falta de conformidade do Produto for consequência de uma instalação ou colocação em funcionamento incorreta, a presente garantia só será válida se a referida instalação ou colocação em funcionamento estiver incluída no contrato de compra-venda do Produto e tiver sido realizada pelo vendedor ou sob sua responsabilidade.
- 3.5 Danos ou falhas do filtro devido à exposição a temperaturas inferiores a 0°C (32° F) ou superiores a 50°C (125° F).
- 3.6 Danos ou falhas do filtro produzidos por golpes de aríete ou pelo sobredimensionamento das bombas do sistema de filtração.



ENGLISH

ID	DESCRIPTION	Ø350	Ø400	Ø500	Ø600	QUAN
A	Filter body	X	X	X	X	1
B	Filter cover	X	X	X	X	1
C	Filter O-ring	X	X	X	X	1
D	Pressure gauge kit	X	X	X	X	1
E	Filter sealing ring	X	X	X	X	1
F	Sealing protection ring	X	X	X	X	1
G	Ring sealing set	X	X	X	X	2 / 3
H	Air bleed	X	X	X	X	1
I	PVC filter tube	X	X	X	X	1
J	Nozzle set	X	X	X	X	1
K	Collector set	X	X	X	X	1
L	Collector arm 110 mm	X	X			8
	Collector arm 160 mm			X		8
	Collector arm 225 mm				X	8
M	Water bleed set	X	X	X	X	1
N	Set of outlet connectors	X	X	X	X	2
O	Filter stand	X	X	X	X	1

FRANÇAIS

ID	DESCRIPTION	Ø350	Ø400	Ø500	Ø600	QUAN
A	Corps filtre	X	X	X	X	1
B	Couvercle filtre	X	X	X	X	1
C	Joint torique filtre	X	X	X	X	1
D	Kit manomètre	X	X	X	X	1
E	Bague de serrage filtre	X	X	X	X	1
F	Anneau protection fermeture	X	X	X	X	1
G	Ensemble fermeture anneau	X	X	X	X	2 / 3
H	Purge d'air	X	X	X	X	1
I	Tube PVC filtre	X	X	X	X	1
J	Ensemble diffuseur	X	X	X	X	1
K	Ensemble collecteur	X	X	X	X	1
L	Bras collecteur 110 mm	X	X			8
	Bras collecteur 160 mm			X		8
	Bras collecteur 225 mm				X	8
M	Ensemble purge d'eau	X	X	X	X	1
N	Ensemble raccords de sortie	X	X	X	X	2
O	Pied filtre	X	X	X	X	1

ESPAÑOL

ID	DESCRIPCION	Ø350	Ø400	Ø500	Ø600	CANT.
A	Cuerpo filtro	X	X	X	X	1
B	Tapa filtro	X	X	X	X	1
C	Junta torica filtro	X	X	X	X	1
D	Kit manometro	X	X	X	X	1
E	Anillo cierre filtro	X	X	X	X	1
F	Aro protección cierre	X	X	X	X	1
G	Conjunto cierre anillo	X	X	X	X	2 / 3
H	Purga aire	X	X	X	X	1
I	Tubo PVC filtro	X	X	X	X	1
J	Conjunto difusor	X	X	X	X	1
K	Conjunto colector	X	X	X	X	1
L	Braco colector 110 mm	X	X			8
	Braco colector 160 mm			X		8
	Braco colector 225 mm				X	8
M	Conjunto purga de agua	X	X	X	X	1
N	Conjunto racords de salida	X	X	X	X	2
O	Pie filtro	X	X	X	X	1

ITALIANO

ID	DESCRIZIONE	Ø350	Ø400	Ø500	Ø600	QUAN
A	Corpo filtro	X	X	X	X	1
B	Coperchio filtro	X	X	X	X	1
C	Giunta torica filtro	X	X	X	X	1
D	Kit manometro	X	X	X	X	1
E	Anello di chiusura filtro	X	X	X	X	1
F	Anello protezione chiusura	X	X	X	X	1
G	Gruppo chiusura anello	X	X	X	X	2 / 3
H	Purga aria	X	X	X	X	1
I	Tubo PVC filtro	X	X	X	X	1
J	Gruppo diffusore	X	X	X	X	1
K	Gruppo collettore	X	X	X	X	1
L	Braccio collettore 110 mm	X	X			8
	Braccio collettore 160 mm			X		8
	Braccio collettore 225 mm				X	8
M	Gruppo purga dell'acqua	X	X	X	X	1
N	Gruppo raccordo di uscita	X	X	X	X	2
O	Piede filtro	X	X	X	X	1

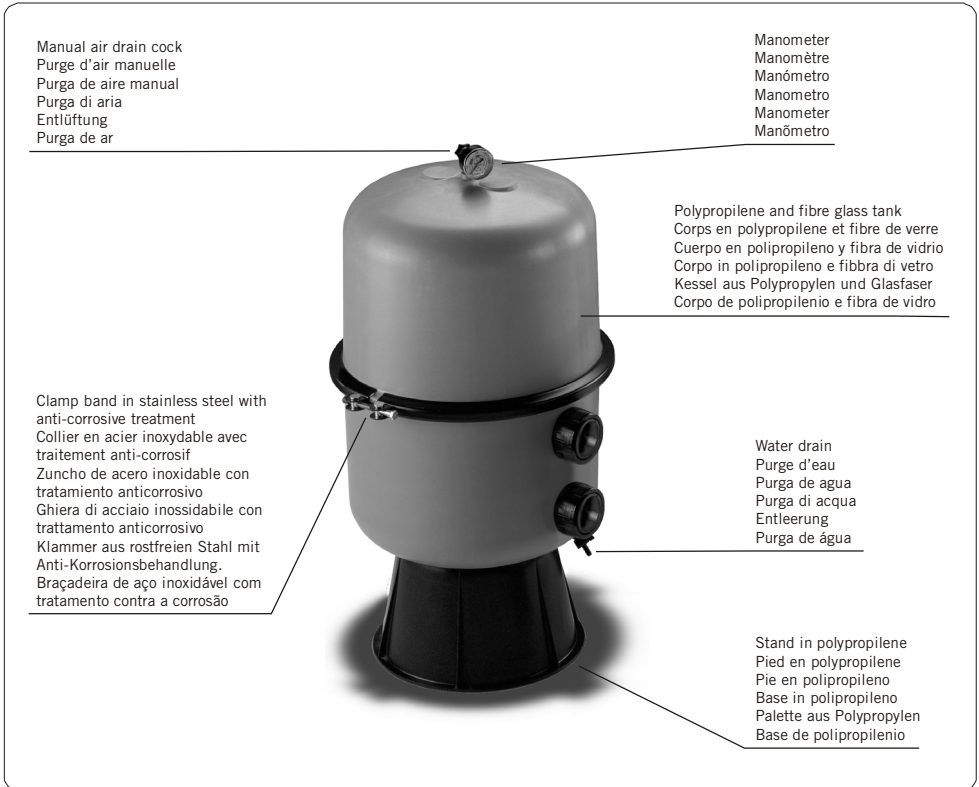
DEUTSCH

ID	BESCHREIBUNG	Ø350	Ø400	Ø500	Ø600	MENGE
A	Filterkörper	X	X	X	X	1
B	Filterdeckel	X	X	X	X	1
C	Runddichtring Filter	X	X	X	X	1
D	Druckmesser-Satz	X	X	X	X	1
E	Verschlussring Filter	X	X	X	X	1
F	Schutzring Verschluss	X	X	X	X	1
G	Kit Verschluss Ring	X	X	X	X	2 / 3
H	Luftablass	X	X	X	X	1
I	PVC-Rohr Filter	X	X	X	X	1
J	Kit Diffusor	X	X	X	X	1
K	Kit Sammelleitung	X	X	X	X	1
L	Arm Sammelleitung 110 mm	X	X			8
	Arm Sammelleitung 160 mm			X		8
	Arm Sammelleitung 225 mm				X	8
M	Kit Wasserablass	X	X	X	X	1
N	Kit Anschlussstücke Ablass	X	X	X	X	2
O	Fuß Filter	X	X	X	X	1

PORTUGUÊS

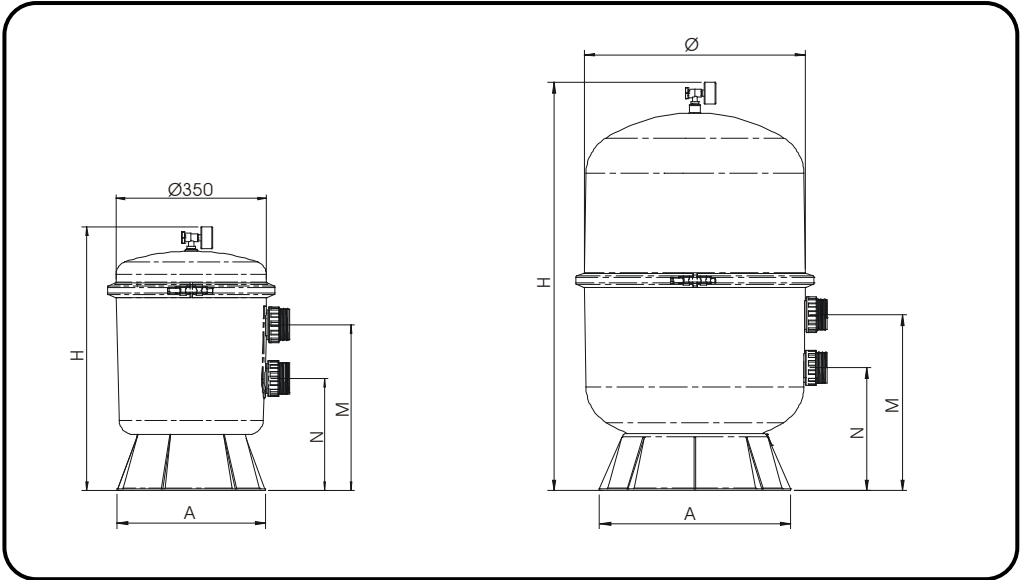
ID	DESCRICAÇÃO	Ø350	Ø400	Ø500	Ø600	QUAN
A	Corpo filtro	X	X	X	X	1
B	Tampa filtro	X	X	X	X	1
C	Junta tórica filtro	X	X	X	X	1
D	Kit manómetro	X	X	X	X	1
E	Anel fecho filtro	X	X	X	X	1
F	Aro protecção fecho	X	X	X	X	1
G	Conjunto fecho anel	X	X	X	X	2 / 3
H	Purga ar	X	X	X	X	1
I	Tubo PVC filtro	X	X	X	X	1
J	Conjunto difusor	X	X	X	X	1
K	Conjunto colector	X	X	X	X	1
L	Braco colector 110 mm	X	X			8
	Braco colector 160 mm			X		8
	Braco colector 225 mm				X	8
M	Conjunto purga de água	X	X	X	X	1
N	Conjunto racords de saída	X	X	X	X	2
O	Pé filtro	X	X	X	X	1

- TECHNICAL CHARACTERISTICS
- CARACTERISTIQUES TECHNIQUES
- CARACTERISTICAS TECNICAS
- DATI TECNICI
- TECHNISCHE ANGABEN
- CARACTERISTICAS TECNICAS



FILTER DIAMETER / DIAMETRE DU FILTRE DIAMETRO DEL FILTRO / DIAMETRO DEL FILTRO FILTERDURCHMESSER / DIÂMETRE DO FILTRO	350 mm	400 mm	500 mm	600 mm
FILTRATION AREA / SURFACE FILTRATION SUPERFICIE DE FILTRACION / FILTEROBERFLÄCHE / SUPERFICIE DE FILTRAÇÃO	0,096 m ²	0,126 m ²	0,196 m ²	0,283 m ²
FLOW / DÉBIT / CAUDAL / PORTATA / LEISTUNG CAUDAL a 50 m ³ /h/m ² - 20 USgpm/ft ²	5 m ³ /h	6 m ³ /h	9 m ³ /h	14 m ³ /h
SAND / SABLE / ARENA / SABBIA / SAND / AREIA	35 Kg	50 Kg	100 Kg	125 Kg
GRANULAR SIZE / GRANULOMETRIE GRANULOMETRIA / KORNGRÖSSE GRÂNULOMETRIA	0,5 – 0,7 mm			
MAXIMUM WORKING PRESSURE / PRESSION MAXIMALE DE TRAVAIL / PRESION MAXIMA DE TRABAJO / MAX. PRESSIONE DI LABORO / MAX. ARBEITSDRUCK / PRESSÃO MAXIMA DE TRABALHO	1,5 Kg/m ²			

- DIMENSIONS
- DIMENSIONS
- DIMENSIONES
- DIMENSIONI
- ABMESSUNGEN
- DIMENSÕES



MODEL / MODÈLE / MODELO MODELO / MODELL / MODELLO	H (mm)	M (mm)	N (mm)	A (mm)
Ø 350	615	385	260	344
Ø 400	840	420	295	341
Ø 500	940	415	290	450
Ø 600	985	445	320	450

154042035-03

Made in EC
 Sacopa, S.A.U.
 Pol. Ind. Poliger Sud – Sector I, s/n
 17854 Sant Jaume de Llierca (Spain)

- We reserve to change all or part of the articles or contents of this document, without prior notice.
- Nous nous réservons le droit de modifier totalement ou en partie les caractéristiques de nos articles ou le contenu de ce document sans pré avis.
- Nos reservamos el derecho de cambiar total o parcialmente las características de nuestros artículos o contenido de este documento sin previo aviso.
- Ci riservamo il diritto di cambiare totalmente o parzialmente le caratteristiche tecniche dei nostri prodotti ed il contenuto di questo documento senza nessun preavviso
- Wir behalten uns das recht vor die eigenschaten unserer produkte oder den inhalt dieses prospektes teilweise oder vollstanding, ohne vorherige benachichtigung zu andern.
- Reservamo-nos no derecho de alterar, total ou parcialmente as características dos nossos artigos ou o conteúdo deste documento sem aviso prévio