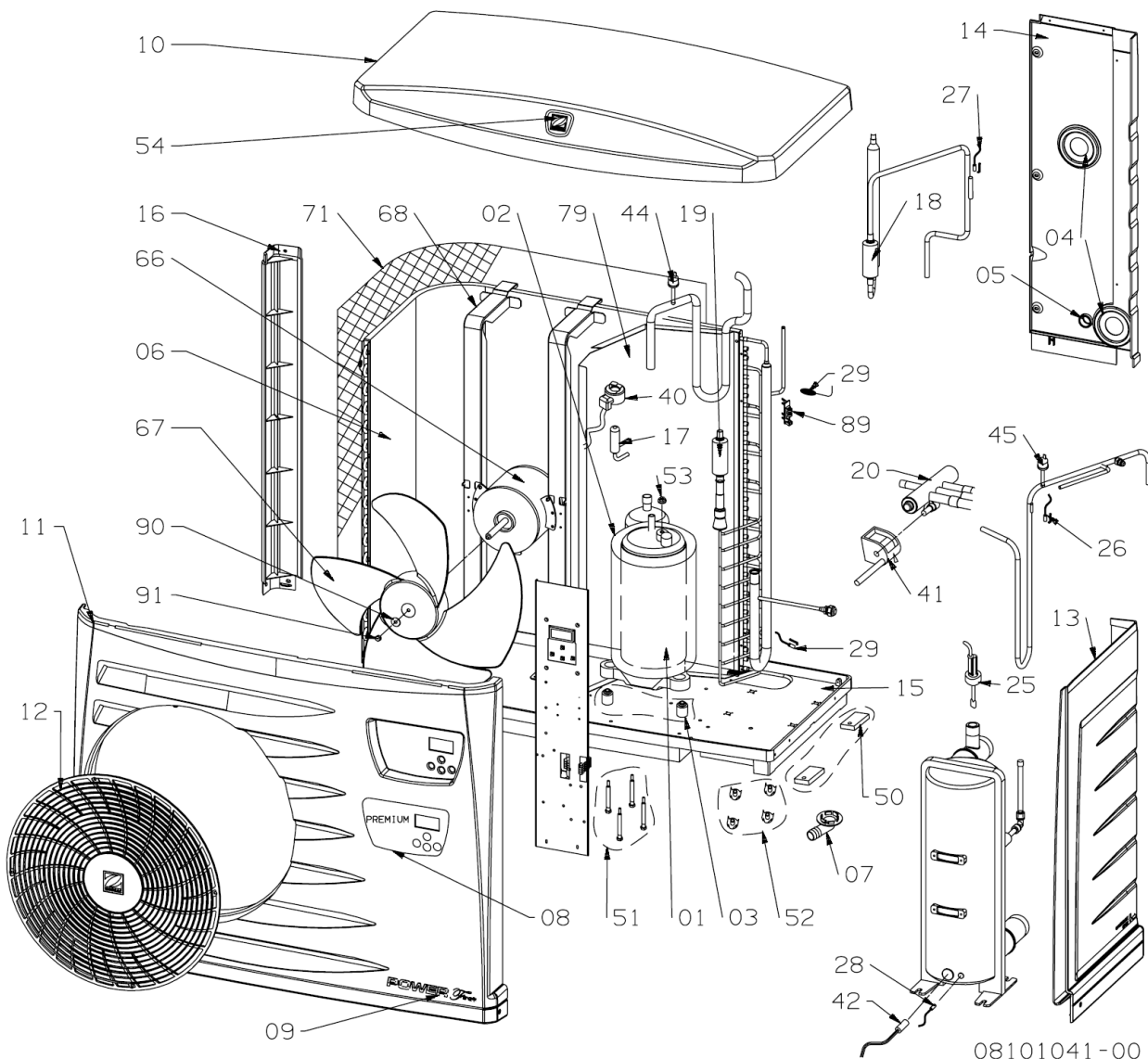
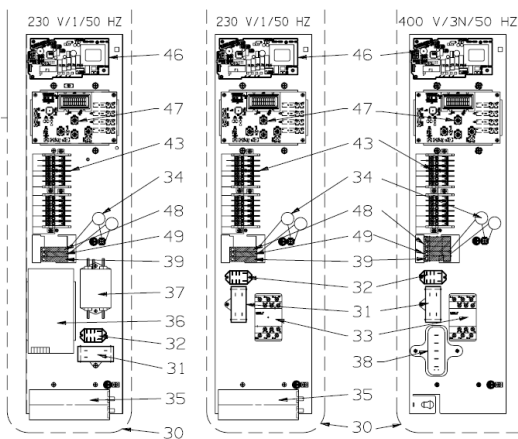
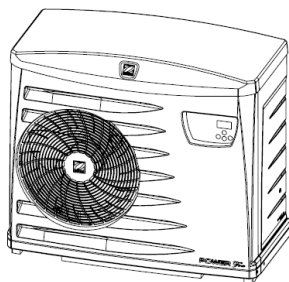


TEPELNÁ ČERPADLA POWER FIRST PREMIUM TSR



HEAT PUMP
ZODIAC® POWER FIRST PREMIUM
TSR-11-15



TEPELNÁ ČERPADLA POWER FIRST PREMIUM TSR

detail	identifikace	popis
ELECTRICAL SPARE PARTS		
25	WTC03943	PFPREM flow rate switch
26	WTC03995	Compressor ST5 discharge probe
27	WTC03996	ST4 liquid probe
28	WTC03997	ST1 regulation probe
29	WTC03998	ST2/ST3 antifrost and defrost probes
30	WTC03934	Set Electrical PREM 11TD and 15 TD
31	WTC03936	Condenser 5 µF for PREM
33	WTC04001	Switch 25 A, 230 V, 50/60 Hz <i>PFPREM 11 MD</i>
33	WTC03937	Switch 18 A, PREM <i>6, 8, 11T, 11TD, 15TD</i>
34	WTC03988	Varistore (S20K275)
35	WTC04005	Condenser 55 µF PREM 11
36	WTC03938	Softstart 25 A PREM15MD
38	WTC03940	Phase controller (PREM TRI)
40	WTC03941	Coil SAG UKV A053 for PREM
41	WTC03990	4-way coil valve 11MD <i>,11D,15MD,15TD</i>
42	WTC03991	Titanium resistance 55W <i>L500 (11MD, 11TD, 15MD, 15TD)</i>
44	WTC03815	Pressure switch, low pressure
45	WTC03816	Pressure switch, high pressure
46	WTC03944	Main card PFPREM A1
47	WTC03939	Display card PREM A2
66	WTC03783	Fan Motor
REFRIGERATING SPARE PARTS		
1	WTC03922	Compressor PFPREM 11MD and 11M
1	WTC03923	Compressor PFPREM 11TD and 11T
1	WTC03924	Compressor PFPREM 15 MD
1	WTC03999	Compressor C-SBP160H38A 15TD
6	WTC03986	Evaporator PREM 11, 13 and 15
17	WTC03928	Pressure reducer UKV for PREM 11
17	WTC03994	Pressure reducer UKV 30D33 for <i>PREM 13 and 15</i>
20	WTC03989	4-way valve PFPREM <i>11MD, 11TD, 15MD, 15TD</i>
SHEET METAL		
10	WPV01001	PFPREM cover
11	WPV01003	PFPREM front panel
12	WPV01006	PFPREM grille

detail	identifikace	popis
13	WPV01007	PFPREM technical door
14	WPV01004	PFPREM rear panel
15	WPV01002	PFPREM base
16	WPV01005	PFPREM upright
OTHER		
2	WTC03926	Compressor insulation PFPREM 11, 13
2	WTC03993	Compressor insulation PFPREM 15
7	WTC02971	Condensate drainage tube
8	WTC03942	PREMIUM Lexan
67	WTC03784	4-vane propeller
68	WTC03895	Fan motor bracket
71	WTC03896	Protective grille 1045 x 765