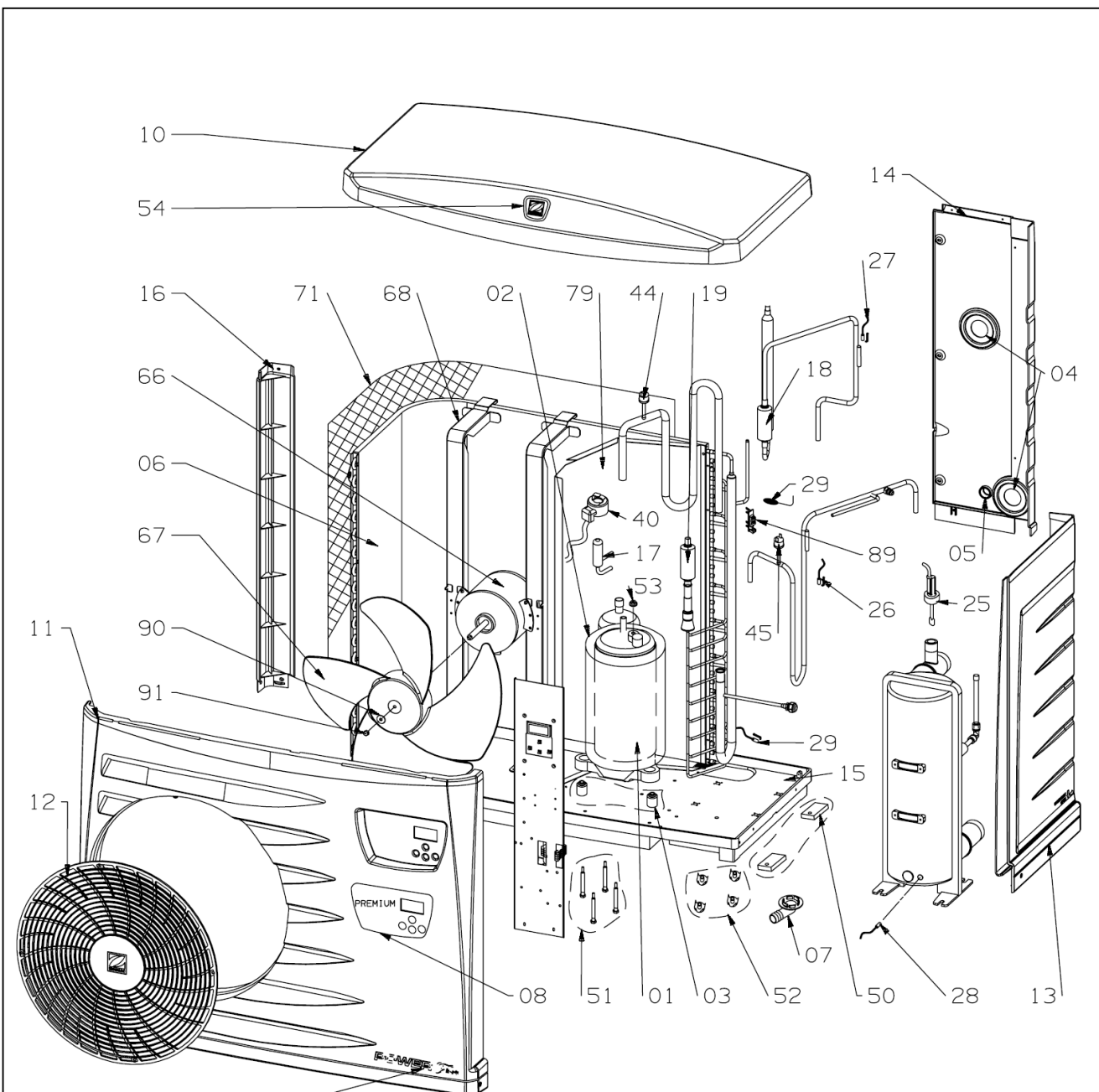
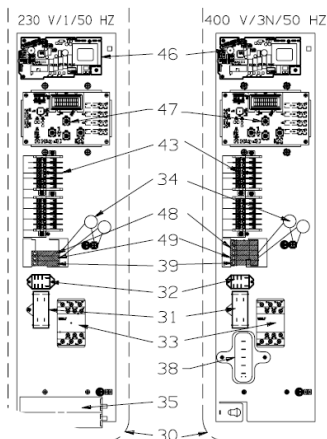
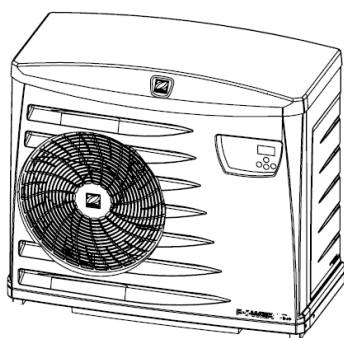


TEPELNÁ ČERPADLA POWER FIRST PREMIUM



08101039-00

HEAT PUMP
ZODIAC® POWER FIRST PREMIUM
6-8-11-13



TEPELNÁ ČERPADLA POWER FIRST PREMIUM

| detail | identifikace | popis | detail | identifikace | popis |
|--------|--------------|---|--------|--------------|-------------------------------------|
| | | ELECTRICAL SPARE PARTS | | | |
| 25 | WTC03943 | PFPREM flow rate switch | 10 | WPV01001 | PFPREM cover |
| 26 | WTC03995 | Compressor ST5 discharge probe | 11 | WPV01003 | PFPREM front panel |
| 27 | WTC03996 | ST4 liquid probe | 12 | WPV01006 | PFPREM grille |
| 28 | WTC03997 | ST1 regulation probe | 13 | WPV01007 | PFPREM technical door |
| 29 | WTC03998 | ST2/ST3 antifrost and defrost probes | 14 | WPV01004 | PFPREM rear panel |
| 30 | WTC03929 | Set Electrical PREM 6 | 15 | WPV01002 | PFPREM base |
| 30 | WTC03930 | Set Electrical PREM 8 | 16 | WPV01005 | PFPREM upright |
| 30 | WTC03931 | Set Electrical PREM 11M | | | OTHER |
| 30 | WTC03932 | Set Electrical PREM 11T | 2 | WTC03925 | Compressor insulation PFPREM 6, 8 |
| 30 | WTC03992 | Set Electrical PREM 13M | 2 | WTC03926 | Compressor insulation PFPREM 11, 13 |
| 31 | WTC03936 | Condenser 5 µF for PREM | 7 | WTC02971 | Condensate drainage tube |
| 33 | WTC04001 | Switch 25 A, 230 V, 50/60 Hz <i>, PFPREM 11 M, 13M</i> | 8 | WTC03942 | PREMIUM Lexan |
| 33 | WTC03937 | Switch 18 A, PREM <i>6, 8, 11T, 11TD, 15TD</i> | 67 | WTC03784 | 4-vane propeller |
| 34 | WTC03988 | Varistore (S20K275) | 68 | WTC03895 | Fan motor bracket |
| 35 | WTC04005 | Condenser 55 µF PREM 11 | 71 | WTC03896 | Protective grille 1045 x 765 |
| 38 | WTC03940 | Phase controller (PREM TRI) | | | |
| 40 | WTC03941 | Coil SAG UKV A053 for PREM | | | |
| 46 | WTC03944 | Main card PFPREM A1 | | | |
| 47 | WTC03939 | Display card PREM A2 | | | |
| 66 | WTC03783 | Fan Motor | | | |
| | | REFRIGERATING SPARE PARTS | | | |
| 1 | WTC03920 | Compressor PFPREM 6 | | | |
| 1 | WTC03921 | Compressor PFPREM 8 | | | |
| 1 | WTC03922 | Compressor PFPREM <i>11MD and 11M</i> | | | |
| 1 | WTC03923 | Compressor PFPREM <i>11TD and 11T</i> | | | |
| 1 | WTC03987 | Compressor PFPREM 13 | | | |
| 6 | WTC03985 | Evaporator PFPREM 6, 8 | | | |
| 6 | WTC03986 | Evaporator PREM 11, 13 and 15 | | | |
| 17 | WTC03927 | Pressure reducer UKV for PREM 6 and 8 | | | |
| 17 | WTC03928 | Pressure reducer UKV for PREM 11 | | | |
| 17 | WTC03994 | Pressure reducer UKV 30D33 for PREM <i>13 and 15</i> | | | |
| 44 | WTC03815 | Pressure switch, low pressure | | | |
| 45 | WTC03816 | Pressure switch, high pressure | | | |
| | | SHEET METAL | | | |