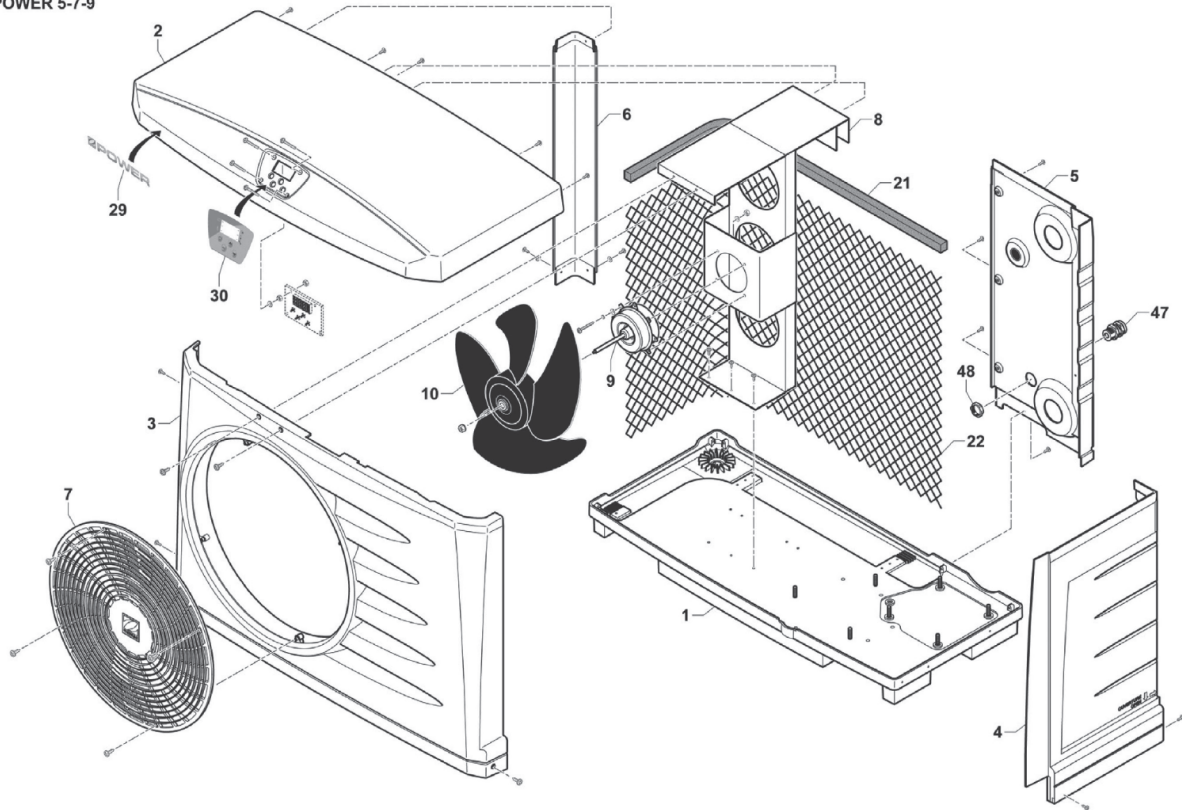
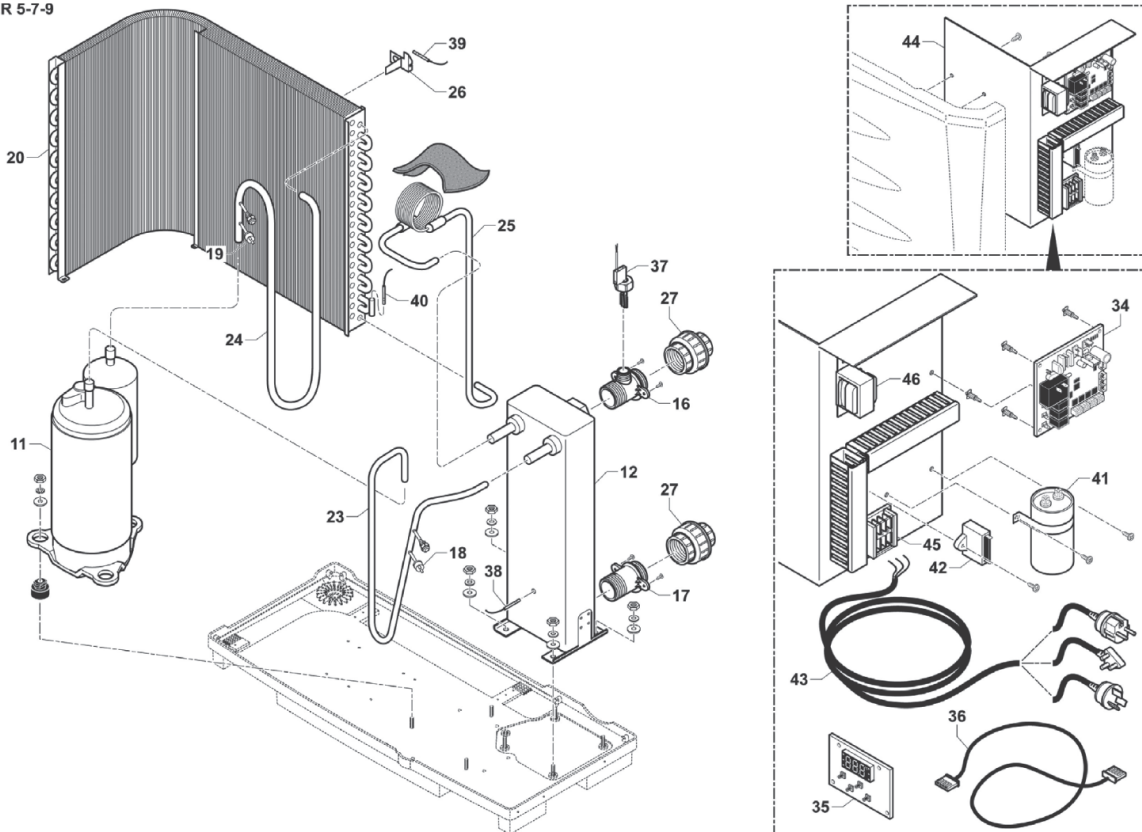


TEPELNÁ ČERPADLA POWER 5 - 7 - 9 / HEAT PUMPS

POWER 5-7-9



POWER 5-7-9



# TEPELNÁ ČERPADLA POWER 5 - 7 - 9 / HEAT PUMPS

detail	identifikace	popis
1	WWA01001	Base
2	WWA01002	Cover
3	WWA01003	Front panel
4	WWA01004	Technical Door
5	WWA01005	Rear panel
6	WWA01006	Angle
7	WWA01007	Grid
8	WWA01008	Fan Support
9	WWA01009	Motor Fan
10	WWA01010	Fan
11	WWA01011	Compressor 5 kW
11	WWA01012	Compressor 7 kW
11	WWA01013	Compressor 9 kW
12	WWA01014	Heat Exchanger 5 kW
12	WWA01015	Heat Exchanger 7 kW
12	WWA01016	Heat Exchanger 9 kW
16	WWA01019	Water connection with pipe
17	WWA01020	Water connection without pipe
18	WWA01021	Pressure switch HP
19	WWA01022	Pressure switch LP
20	WWA01023	Evaporator 5 kW <i>(with distributor &amp; collector)</i>
20	WWA01024	Evaporator 7 kW <i>(with distributor &amp; collector)</i>
20	WWA01025	Evaporator 9 kW <i>(with distributor &amp; collector)</i>
21	WWA01026	Angle bracket for evaporator
22	WWA01027	Evaporator protection
23	WWA01028	Output compressor piping 5 kW
23	WWA01029	Output compressor piping 7 kW
23	WWA01030	Output compressor piping 9 kW
24	WWA01031	Suction compressor piping 5 kW
24	WWA01032	Suction compressor piping 7 kW
24	WWA01033	Suction compressor piping 9 kW
25	WWA01034	Output heat exchanger with <i>capillary to ended filter 5 kW</i>
25	WWA01035	Output heat exchanger with <i>capillary to ended filter 7 kW</i>
25	WWA01036	Output heat exchanger with <i>capillary to ended filter 9 kW</i>
26	WWA01037	Air temperature sensor support

detail	identifikace	popis
27	WWA01038	Water connection 3 parts
29	WWA01039	Sticker Power
30	WWA01040	Lexan
34	WWA01041	PCB Board
35	WWA01042	User Interface
36	WWA01043	Link cable (PCB - User interface)
37	WWA01044	Water flow switch
38	WWA01045	Water Temperature sensor
39	WWA01046	Air Temperature sensor
40	WWA01047	Defrost Temperature sensor
41	WWA01048	Compressor condensator 5 kW 30 µF
41	WWA01049	Compressor condensator 7 kW 40 µF
41	WWA01050	Compressor condensator 9 kW 50 µF
42	WWA01051	Fan condensator 2 µF
43	WWA01055	Electric cable (French version)
43	WWA01056	Electric cable (Australian version)
43	WWA01057	Electric cable (South Africa version)
44	WWA01052	Electrical plate complete <i>(without compressor condensor)</i>