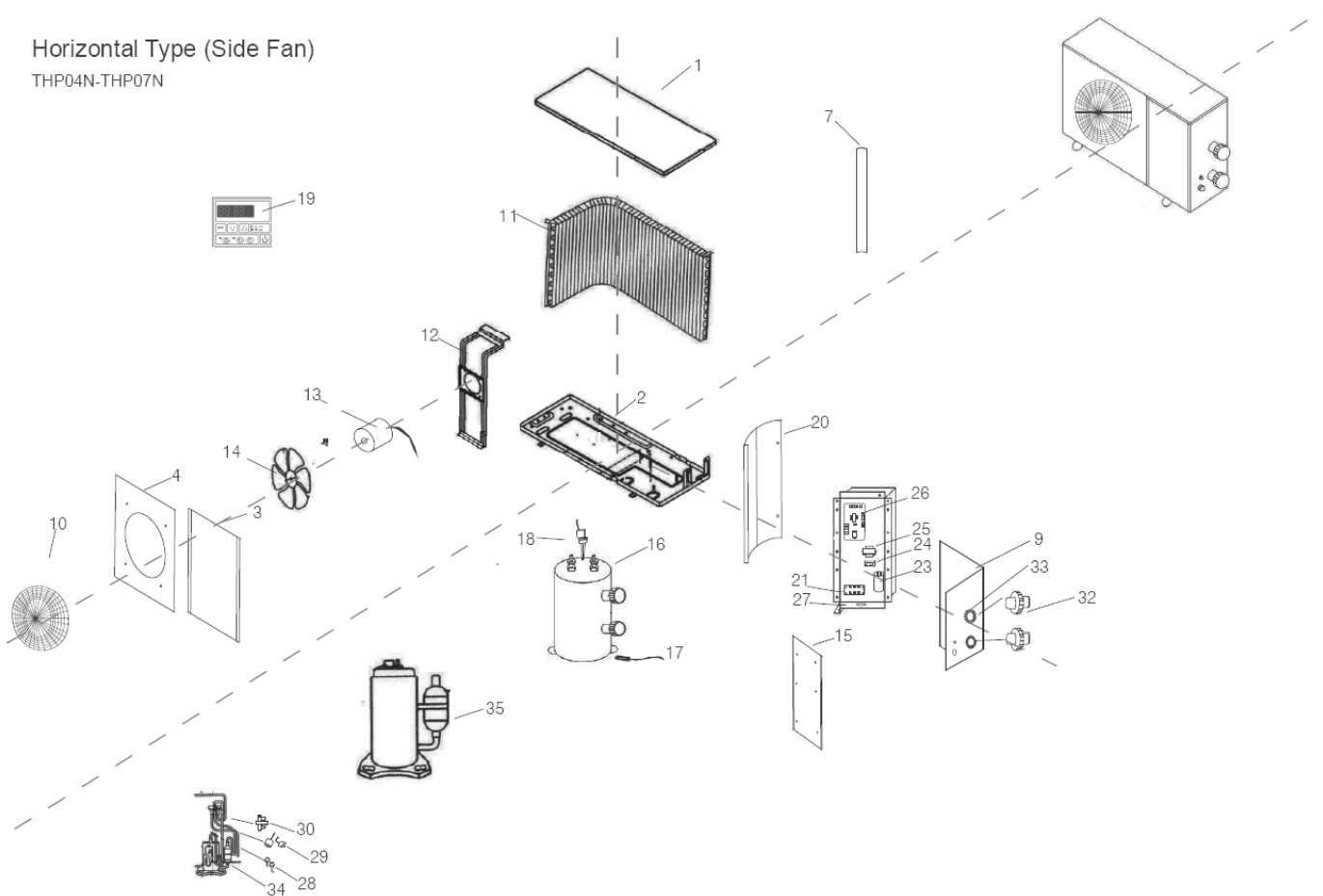


TEPELNÁ ČERPADLA FAIRLAND A ERASPA

Horizontal Type (Side Fan)

THP04N-THP07N



TEPELNÁ ČERPADLA FAIRLAND A ERASPA

<i>detail</i>	<i>identifikace</i>	<i>popis</i>
1		Top Cover
2		Chassis
3		Front panel
4		Fant Front Cover
7		Back Pole
9		Right side panel
10		Fan Mesh
11		Evaporator
12		Fan Bracket
13		Fan Motor
14		Fan
15		Electrical box cover
16		Titanium Heat Exchanger
17		Water temp sensor
18		Water flow switch
19		LED Controller
20		Separate Board
21		Terminal Board
23		Compressor Capacitor
24		Fan Motor Capacitor
25		Transformer
26		PC Board
27		Electrical Box
28		Gas fill point
29		Pressure switch
30		4-way Valve
32		Water nozzle
33		Water nozzle gasket
34		Piping System
35		Compressor