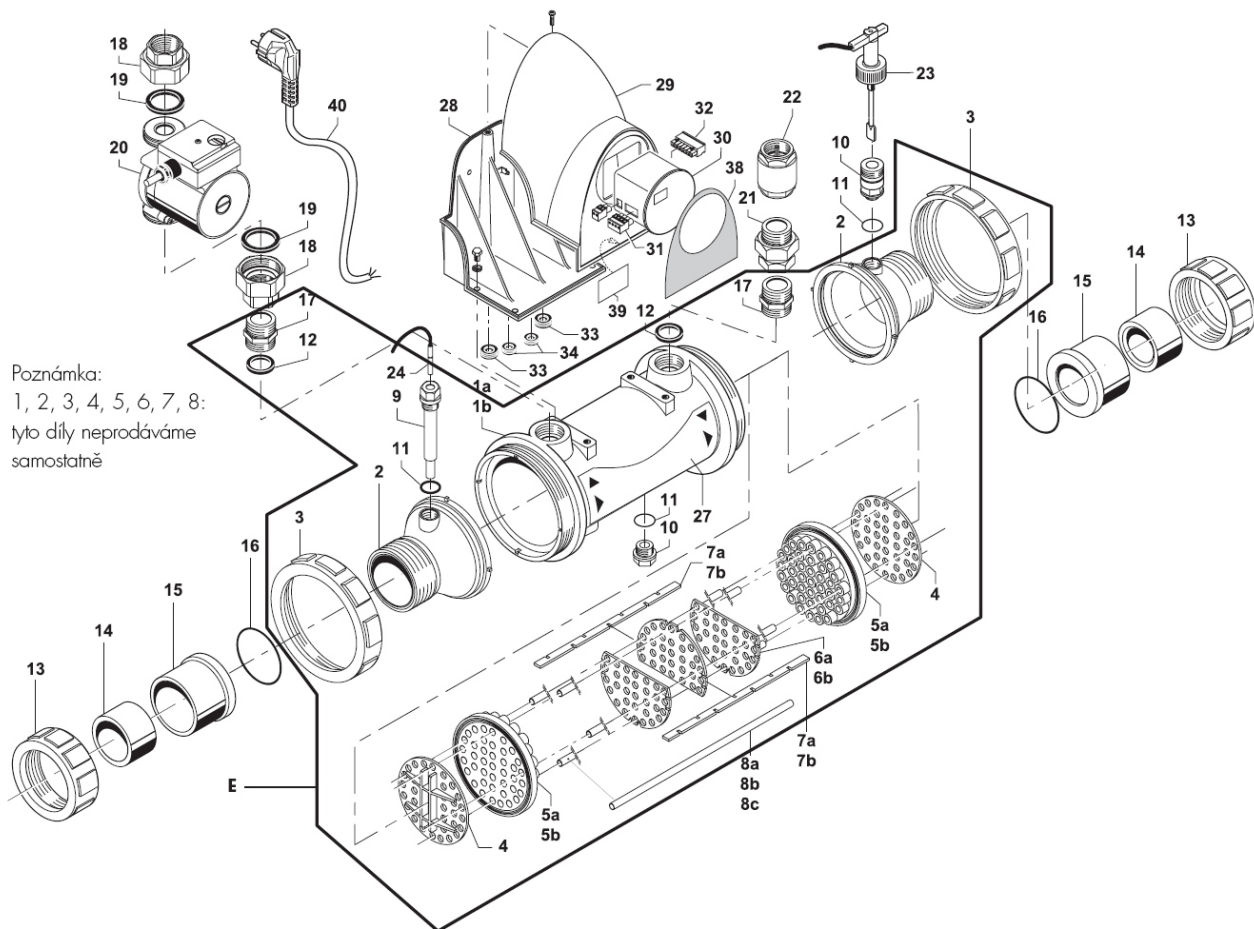


xxx Heat Line Plus - EC/K - EC/C



xxx Heat Line Plus - EC/K - EC/C

detail	identifikace	popis
18 19 20	W49CC4	Circulator 2 m3 25/40 (EC/C, EC/K, Heat Line+) with 26/34 connection + joint
23	WSK02022	Noryl flow switch
24	WCE01311	Digital thermostat sensor PTC
30	WCE02684	Timed regulator ECP200 (Heat Line+)
10 23 42	W49COFKT	Electric box (Heat Line+) and height adjuster with flow switch
A	WCE01308	Timed regulator (ECP233 Heat Line boxed) since 1997
B	W20KD02	Aquastat 16/40° with glove finger 15/21M (basic HEAT LINE)
C	WEG01404	Regulation thermostat 16/40° C bulb O 10 mm
D	WEG01405	Regulation thermostat 16/40 bulb O 6 mm
	WCE02925	Regulator FK151 (before 1997)
OSTATNÍ		
9 11	WIB01625	Threaded polyamide glove finger 15/21 male
9 11	WJW01667	Joint
10 11	WIB01611	Height adjuster for flow switch
10 11	WJW01667	Joint
13 14 15 16	W40RDU	2 1/2 union connections O 63 + adjusters O 50 (Heat Line)
22	WCL03431	Check valve 26/34
11 25	WIB01609	Cap 15/21
	WIB02695	Heat Line cover with sticker

detail	identifikace	popis
E	WKITCUVE20KT	20 kW TITANIUM tank without valve 26/34
E	WKITCUVE40KT	40 kW TITANIUM tank without valve 26/34
E	WKITCUVE70KT	70 kW TITANIUM tank without valve 26/34
	WKITDGT	Flat glove finger + Joint + Nut
	WNS01751	Cap 20/27 Female
	WNS01780	Joint 20/27

V případě zájmu objednání náhradních dílů, prosím uveďte seriové číslo ohřevu.