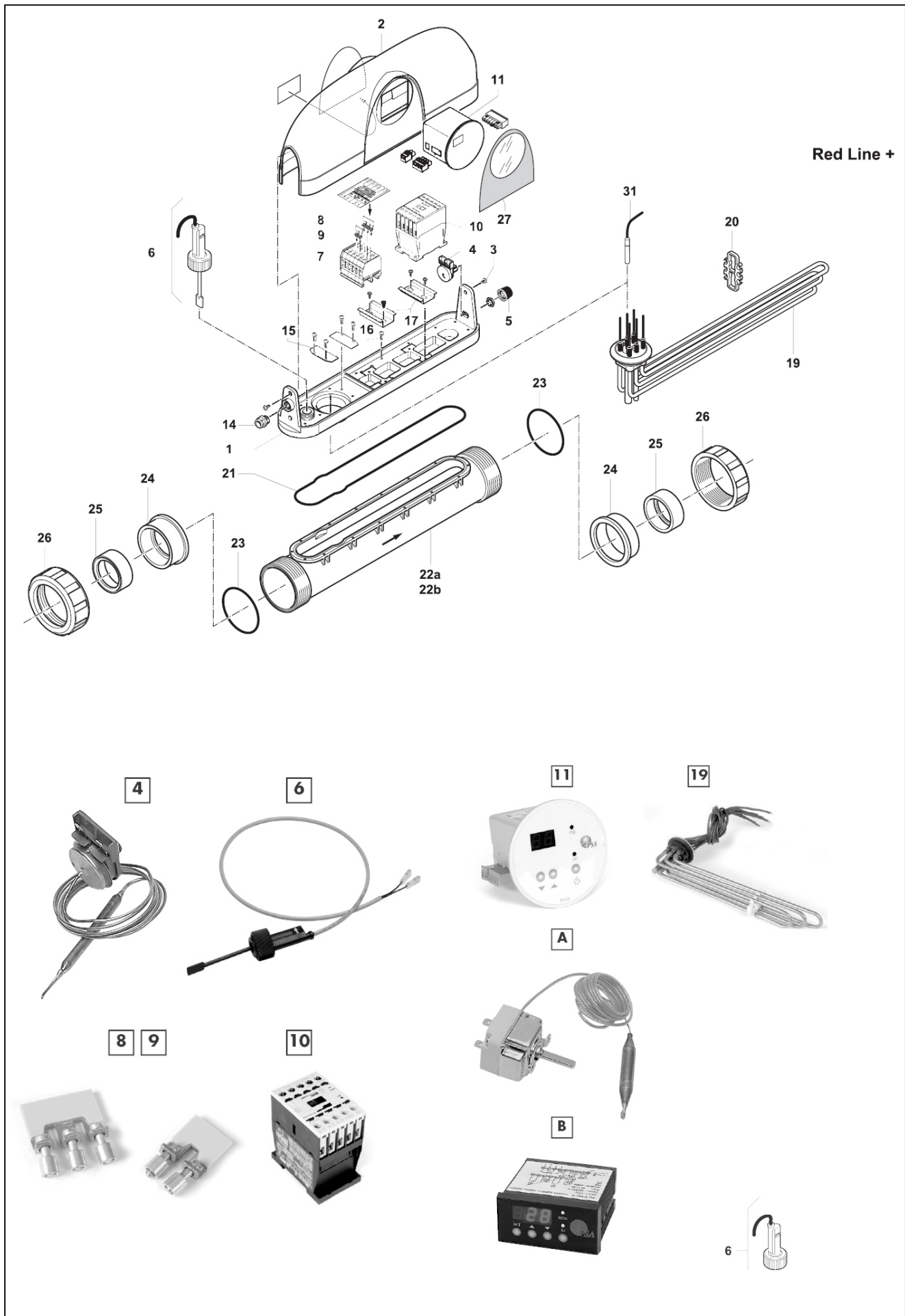


xxx Red Line and RE/DC



xxx Red Line and RE/DC

detail	identifikace	popis
4	WIN01641	Safety thermostat 63° (RE/U, RE/I, RE/DE, RE/LE)
	WSK02015	Noryl flow switch for Red Line
6	WSK02015	Noryl flow switch for RE/DC
7	WCC01289	Elec. connection terminals (RE/LE and Red line)
8	WCC01287	Shunt for switching from three to single phase
9	WCC01288	Shunt for switching from three to single phase
10	WCF01066	Contactors DILM9-10 (RE/U RE/I mp RE/LE RE/DE) 30 to 48
11	WCE02684	Timed regulator ECP 200
19 20 21	WKITRES3C	Elbowed resistance 3 kW titanium + joint
19 20 21	WKITRES6C	Elbowed resistance 6 kW titanium + joint
19 20 21	WKITRES9C	Elbowed resistance 9 kW titanium + joint
19 20 21	WKITRES12C	Elbowed resistance 12 kW titanium + joint
13	WCE01311	Digital thermostat sensor PTC 100
A	WEG01404	Regulation thermostat (Red Line) O10 mm
B	WCE01308	Timed regulator ECP 233 (RE/DC)
	WSX03025	Red Line orange on/off switch
		OSTATNÍ
21 1	WIB02691	Red Line base + (+joint)
2	WKITCAPOTRDE	Red Line cover + & adhesive

detail	identifikace	popis
21 22	WIB01596	Red Line+ body 3 kW, 6 kW
21 22	WJW01662	Moulded joint 752 X 4
21 22	WJW01661	Joint 66.27 x 3.53
21 22	WIB01597	Red Line+ body 9 kW, 12 kW
21 22	WJW01662	Moulded joint 752 X 4
21 22	WJW01661	Joint 66.27 x 3.53
23 24 25 26	W40RDU	2 1/2 union connections O 63 + reducer O 50 (RE/DE)

V případě zájmu objednání náhradních dílů, prosím uveďte seriové číslo ohřevu.