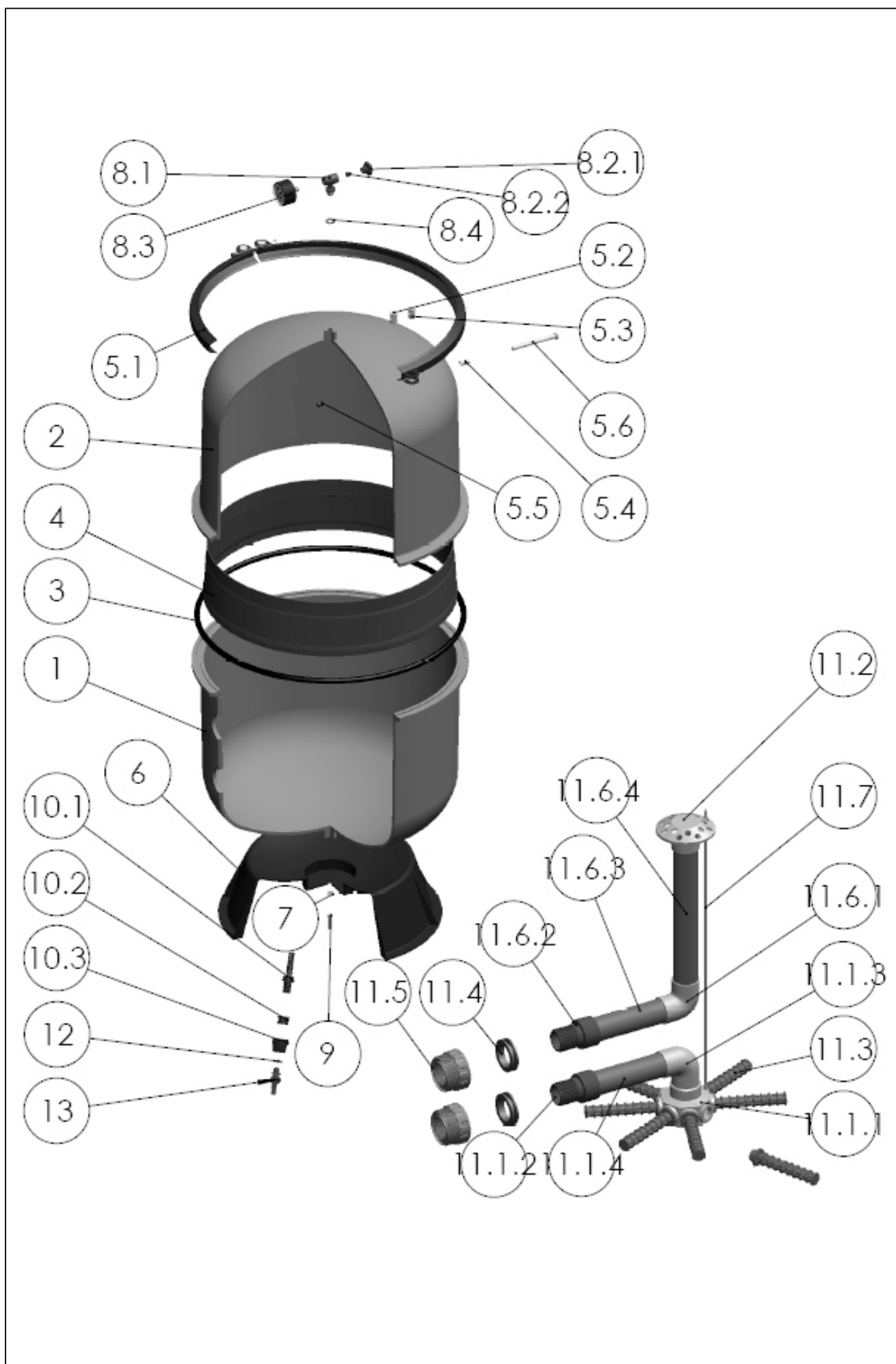


FILTRAČNÍ NÁDOBA BILBAO 500



# FILTRAČNÍ NÁDOBA BILBAO 500

detail	identifikace	popis
1	I154065002	Filter body Ø500 (Orange)
2	I154065001	Filter body Ø500 (Orange)
3	I7225210120	O-ring 521×12
4	I154085010	Closing plastic ring Ø500
5	I04592-0600	Closing assembly BILBAO Ø500
5.1	I154085013	Closing ring Bilbao filter Ø500
5.2	I154084015	Threaded Tip M8
5.3	I154084014	TIP Ø8
5.4	I00594-0202	INOX PIPE Ø10×20
5.5	I00594-0305	Protection Thread M8
5.6	I7020108100	Screw DIN 933 A4 M8×100
6	I00541-0102	Filter Base Ø500-Ø600
7	I7011908000	Washer DIN 125 A2 M8
8	I04590-0500	Pressure Gauge Set
8.1	I00555-0401	Tee Adaptor
8.2	I074065008A	Air relief plug (with joint)
8.2.1	I024030092A	Air relief plug
8.2.2	I00648-0202	Bleed Gasket
8.3	I00545-0602	Pressure gauge 3 Kg - 1/8" (back)
8.4	I00470-0319	Gasket Ø18,5xØ12x2
9	I7015263032	Screw DIN 933 M-6X35
10	I04590-0200	Drain assembly 3/8" BILBAO
10.1	I00496-0501	Sand drain 3/8" (23mm)
10.2	I00541-0406	Concave joint 3/8" × 8
10.3	I00496-0502	Drain nut 3/8" - 1/4
11	I04592-0300	Interior part assembly Filter <i>BILBAO Ø500</i>
11.1	I04592-0820	BILBAO Ø500 Collector Assembly
11.1.1	I00624	Collector head 8 arms
11.1.2	I22497-0003	Raccord Filter
11.1.3	I01716	Ø50 - 90° Elbow
11.1.4	I6106050	PVC PIPE Ø50 PN6 (218 MM.)
11.1.5	I6106050	PVC PIPE Ø50 PN6 (55 MM.)
11.2	I00645	Diffuser Ø50
11.3	I00627	COLLECTOR ARM 160 mm (8)
11.4	I00541-0504	Concave joint 1½"
11.5	I00470-0211	Outlet raccord 1½" (Black)
11.6	I04592-0810	BILBAO Ø500 Diffuser Assembly

detail	identifikace	popis
11.6.1	I01716	Ø50 - 90° Elbow
11.6.2	I22497-0003	Raccord Filter
11.6.3	I6106050	PVC PIPE Ø50 PN6 (218 MM.)
11.6.4	I6106050	PVC PIPE Ø50 PN6 (355MM.)
11.7	I04592-0405	PVC Pipe 6 mm (length 630 mm)
11.8	I00497-0411CL76	Collector Drain Ø6 mm
12	I00470-0320	Gasket 18,50×12×4
13	I11656	Water drain ball valve ¼ ABS